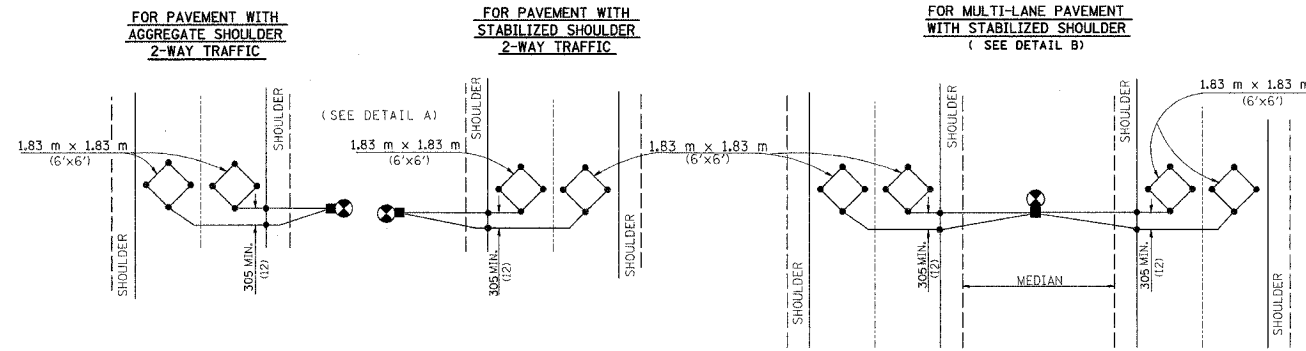


F.A.I. SHEETS NO.	SECTION	COUNTY	TOTAL SHEETS
74	TAZEWELL		12/20/12/20
STA.	TO STA.	FED. AID PROJECT	
		ILLINOIS	

TYPICAL APPLICATIONS FOR TRAFFIC COUNTER USING TERMINAL FACILITY



LEGEND

- 102 x 102 (4 x 4) TREATED WOOD POST
- TERMINAL FACILITY
- INDICATES 38 (1 1/2) HOLE DRILLED AT DETECTOR LOOP CORNER

STATION 156+400

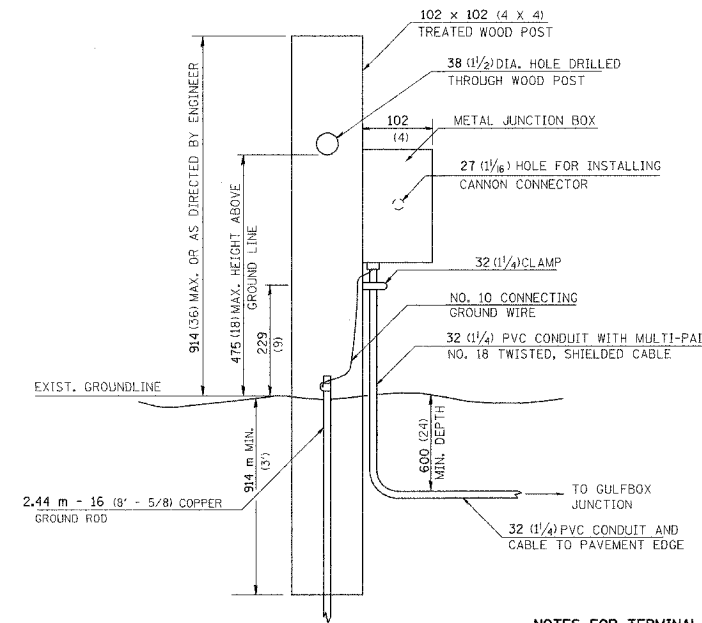
SCHEDULE OF QUANTITIES

ITEM	QUANTITY	UNIT
DETECTOR LOOP, SPECIAL	45.1	METER
CONDUIT IN TRENCH, 30 mm DIA., PVC	28.2	METER
ELECTRIC CABLE IN CONDUIT, LEAD-IN, NO.18 3 PAIR	33.6	METER
TRENCH AND BACKFILL FOR ELECTRICAL WORK	23.7	METER
TRENCH AND BACKFILL FOR ELECTRICAL WORK (SPECIAL)	8.9	METER
TERMINAL FACILITY	1	EACH
ELECTRIC CABLE IN CONDUIT, LEAD-IN, NO.18 6 PAIR		METER

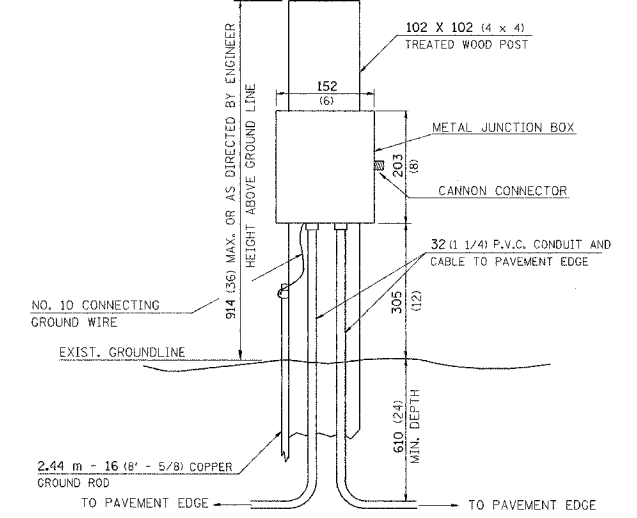
GENERAL NOTES

- EACH DETECTOR LOOP USED SHALL BE WIRED INDEPENDENTLY TO THE TERMINAL.
- DIAMOND SHAPED LOOPS SHALL BE CENTERED IN THE PAVEMENT LANES.
- EACH 1.83 M X 1.83 M (6' X 6') DETECTOR LOOP SHALL HAVE A MINIMUM OF 4 OR 5 TURNS OF CABLE OR AS DIRECTED BY THE ENGINEER.
- DETECTOR LOOPS MAY BE LOCATED AS DIAMONDS IN THE PAVEMENT AS DIRECTED BY THE ENGINEER. ALL LOOPS SHALL BE ORIENTED THE SAME DIRECTION.
- THE RESIDENT ENGINEER AND OR CONTRACTOR SHALL NOTIFY THE TRAFFIC STUDIES TECHNICIAN IN PROGRAM DEVELOPMENT AT LEAST ONE WEEK PRIOR TO THE INSTALLATION TO DETERMINE EXACT LOCATION. CONTACT RON HEGWOOD PH # 309-693-5165

DETAIL A
TERMINAL FACILITY DETAIL



DETAIL B
TERMINAL FACILITY DETAIL



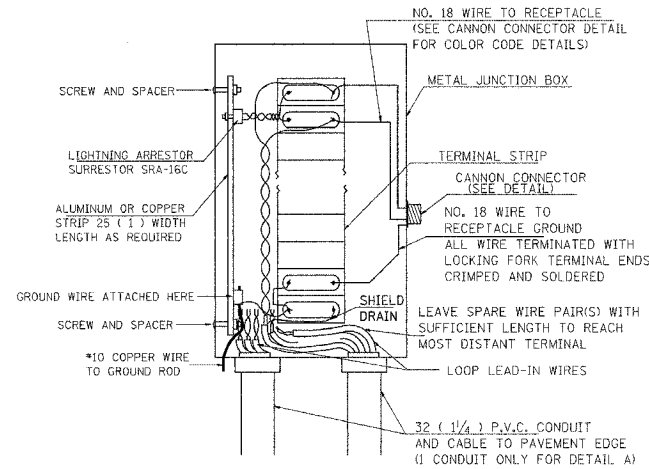
NOTES FOR TERMINAL FACILITY

- GROUND ROD SHALL BE CONNECTED TO THE JUNCTION BOX WITH NO. 10 AWG COPPER WIRE AS SHOWN IN THE JUNCTION BOX DETAIL.
- POST FOR TERMINAL FACILITY SHALL BE A MINIMUM DISTANCE OF FROM EDGE OF

LOCATIONS

*600 MM MINIMUM DEPTH

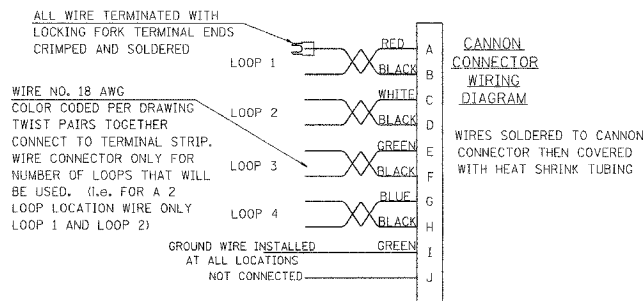
JUNCTION BOX DETAIL
FOR DETAIL A AND B



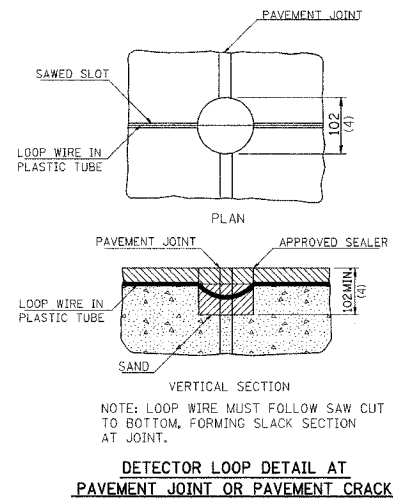
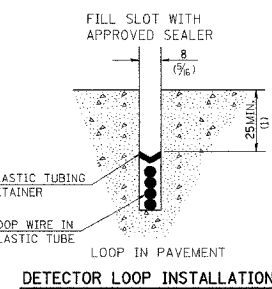
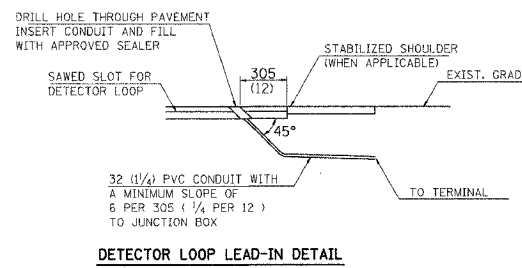
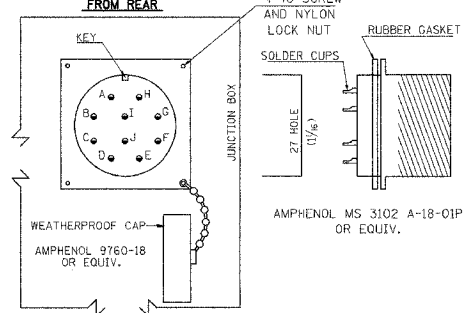
NOTES FOR JUNCTION BOX

- ONE LIGHTNING ARRESTOR FOR EACH LOOP.
- NUMBER OF TERMINALS ON TERMINAL STRIP TO BE DETERMINED BY NUMBER OF LOOPS. TERMINAL STRIP SHALL BE CINCH BARRIER TYPE 140 OR EQUIVALENT.
- JUNCTION BOX SHALL BE WEATHER PROOF WITH SIZE DETERMINED BY NUMBER OF COMPONENTS. JUNCTION BOX SHALL BE A MINIMUM 102x152x203 (4x6x8) METAL HOFFMAN BOX WITH KEY ENTRY OR EQUIVALENT.
- TERMINAL WITH MORE THAN 4 LOOPS WILL REQUIRE THE USE OF 2 CANNON CONNECTORS WITH LOOPS GROUPED BY DIRECTION OR AS DIRECTED BY THE ENGINEER.
- THE COST OF INSTALLING THE TERMINAL FACILITY INCLUDES ALL VERTICAL WIRING, BOXES, CONNECTORS, VERTICAL CONDUIT, POST, GROUND ROD, SURRESTORS, AND LABOR, AND SHALL BE PAID FOR AT THE CONTRACT UNIT PRICE EACH FOR TERMINAL FACILITY.
- THE METAL MOISTURE-PROOF MOUNTING BOX SHALL BE HINGED AND HAVE A KEYED ENTRY.

CANNON CONNECTOR DETAIL



CONNECTOR VIEWED FROM REAR



All dimensions are in millimeters (inches) unless otherwise noted.

ILLINOIS DEPARTMENT OF TRANSPORTATION		
SPECIAL DETAIL SHEET		
DETAIL FOR TRAFFIC COUNTERS USING TERMINAL FACILITY		
CADD STD. NO. 836002-D4		
SCALE: NOT DRAWN TO SCALE		
DATE: AUGUST 19, 1992		
DRAWN BY CADD		
CHECKED BY R. TAYLOR		

DATE	REVISIONS	BY
3-1-97	NEW DETAIL	J.A.
3-21-97	CORRECT REF. TO SI CONC.	J.A.
9-10-97	ADD REF. TO METAL BOX	E.J.
7-31-98	CORRECT LEGEND & DIM.	R.H.
6-17-99	ADD TO GENERAL NOTES	R.H.
6-09-00	REMOVE GULFBOX	R.H.