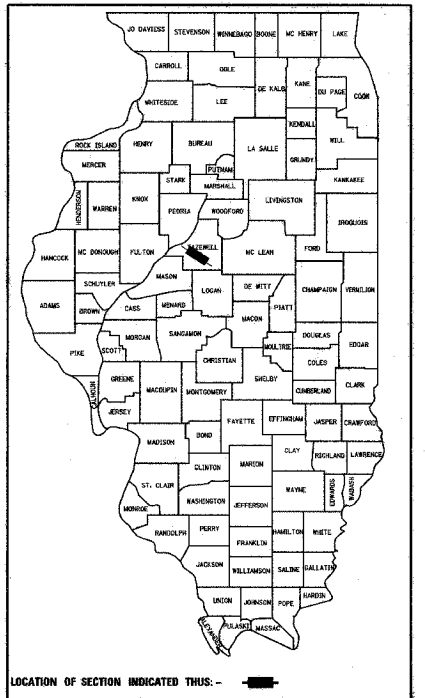


F.A.I. RTE.	SECTION	COUNTY	TOTAL SHEETS	SHEET NO.
74	*	TAZEWELL	1366	1

SECTION (90-11)R-2;90(13, 14, 14-1)R-1  
D-94-010-02

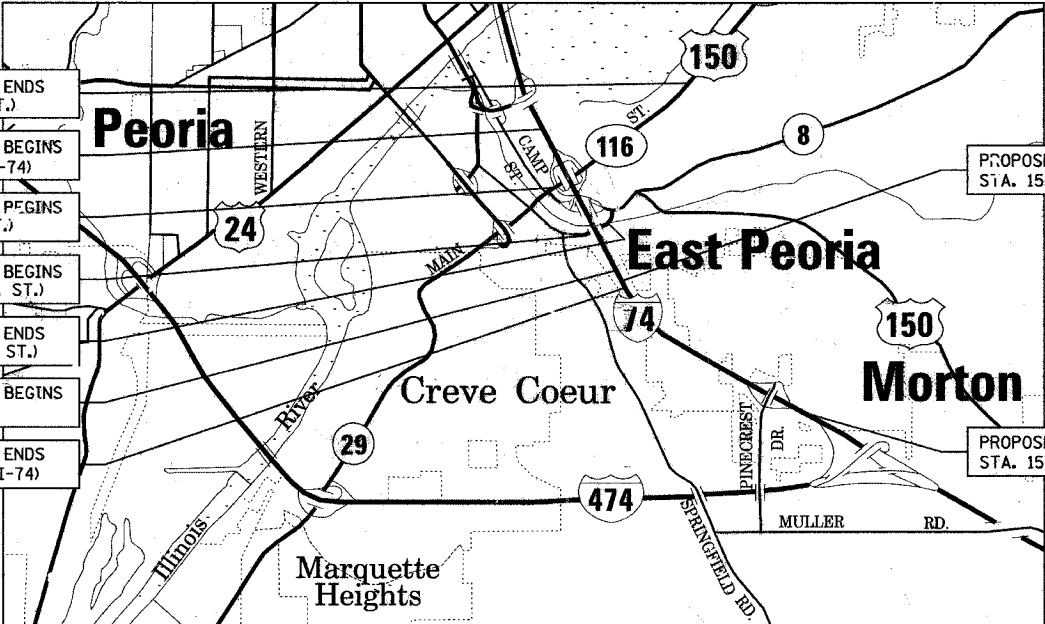


STATE OF ILLINOIS  
DEPARTMENT OF TRANSPORTATION  
DIVISION OF HIGHWAYS

PLANS FOR PROPOSED  
FEDERAL AID INTERSTATE

FAI ROUTE 74 (I-74)  
SECTION (90-11)R-2;90(13, 14, 14-1)R-1  
PROJECT ACIM-074-4 (234) 094  
TAZEWELL COUNTY  
C-94-010-02

RECONSTRUCTION OF I-74 WESTBOUND LANES FROM THE TP&W RAILROAD TO EAST OF THE WASHINGTON STREET INTERCHANGE AND THE OVERLAY OF I-74 EASTBOUND AND WESTBOUND LANES FROM EAST OF WASHINGTON STREET INTERCHANGE TO THE EAST PINECREST DRIVE INTERCHANGE



- PROPOSED IMPROVEMENT ENDS STA. 4+157.000 (MAIN ST.)
- PROPOSED IMPROVEMENT BEGINS STA. 151+620.154 (W.B. I-74)
- PROPOSED IMPROVEMENT BEGINS STA. 2+218.898 (MAIN ST.)
- PROPOSED IMPROVEMENT BEGINS STA. 100+210.000 (WASH. ST.)
- PROPOSED IMPROVEMENT ENDS STA. 99+730.000 (WASH. ST.)
- PROPOSED OVERLAY IMPROVEMENT BEGINS STA. 154+780.000 (E.B. I-74)
- PROPOSED IMPROVEMENT ENDS STA. 154+970.000 (W.B. I-74)

PROPOSED OVERLAY IMPROVEMENT BEGINS STA. 154+952.000 (W.B. I-74)

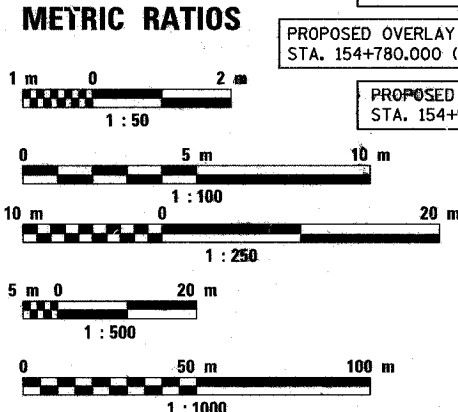
PROPOSED OVERLAY IMPROVEMENT ENDS STA. 157+666.230 (E.B. & W.B. I-74)

THIS PLAN SET CONTAINS 4 INDIVIDUAL SETS FOR INDEX OF SHEETS, SEE SHEETS 2 - 5 FOR LIST OF HIGHWAY STANDARDS, SEE SHEETS 6 & 7 FOR LIST OF COMMITMENTS, SEE SHEET 7 FOR LIST OF GENERAL NOTES, SEE SHEETS 8 - 10

DESIGN DESIGNATIONS

I-74 MAINLINE PAVEMENT	7625(25)INTERSTATE 39.28(PCC-30)
I-74 RAMPS	1455(25)INTERSTATE 9.23(PCC-30)
MAIN STREET	5020(25)ARTERIAL 15.62(COMP-20)
E. WASHINGTON STREET	3460(25)COLLECTOR 13.80(PCC-20)
I-74 OVERLAY SECTION	SEE PLAN SET 4 OF 4

- STRUCTURES & RAMPS
- FAI 74 OVER CAMP STREET, FARM CREEK AND TP&W R.R. SN 090-0009 (SN 090-0009) WB STA. 153+496.485 TO 153+741.610
  - RAMP K-2 OVER MAIN STREET AND RAMP J-3 SN 090-0156 (SN 090-0010) EB & (SN 090-0010) WB STA. 10+423.029 TO 10+635.511
  - FAI 74 OVER ALTOFFER LANE AND TP&W R.R. SN 090-0159 (SN 090-0005) WB STA. 152+656.108 TO 152+714.598
  - FAI 74 OVER MAIN STREET SN 090-0160 (SN 090-0006) WB STA. 153+020.792 TO 153+079.792
  - FAI 74 OVER WASHINGTON STREET SN 090-0163 (090-0011) STA. 153+828.180 TO 153+892.180
  - RAMP J-3 RETAINING WALL SN 090-8512 (N/A) STA. 10+037.700 TO 10+212.930
  - RAMP K-2 RETAINING WALL SN 090-8513 (N/A) STA. 10+378.450 TO 10+507.550
  - RAMP J-3 IMPROVEMENTS (225.954 m) STA. 10+145.073 TO 10+371.027
  - RAMP J-4 IMPROVEMENTS (304.713 m) STA. 10+017.097 TO 10+328.810
  - RAMP K-2 IMPROVEMENTS (632.106 m) STA. 10+052.874 TO 10+684.980
  - RAMP L-3 IMPROVEMENTS (700.101 m) STA. 10+000.000 TO 10+700.101
  - RAMP L-4 IMPROVEMENTS (466.423 m) STA. 10+000.000 TO 10+466.423



FULL SIZE PLANS HAVE BEEN PREPARED USING STANDARD ENGINEERING SCALES. REDUCED SIZED PLANS WILL NOT CONFORM TO STANDARD SCALES. IN MAKING MEASUREMENTS ON REDUCED PLANS, THE ABOVE SCALES MAY BE USED.

J.U.L.I.E. JOINT UTILITY LOCATION INFORMATION FOR EXCAVATION 1-800-892-0123

CATALOG NO. 31087-18D  
CONTRACT NO. 68201

NPOES PERMIT REQUIRED  
QC/QA BITUMINOUS  
QC/QA CONCRETE  
BITUMINOUS SUPERPAVE

RICHARD E. STARK, P.E.  
IL REG. NO. # 062-018111  
LICENSE EXPIRES 11-30-05  
ALFRED BENESCH & COMPANY  
SHEETS 347-372, 1196-1200, 1211-1251  
942-951, 999-963, 965-170, 975, 979

MARIE E. GLYNN, P.E.  
IL REG. NO. # 062-054037  
LICENSE EXPIRES 11-30-05  
CH2M HILL  
SHEETS 1252-1325

GARY F. RYLANDER, P.E.  
IL REG. NO. # 062-051035  
LICENSE EXPIRES 11-30-05  
EDWARDS & KELCEY  
SHEETS 1326-1338

JAMES F. SCHMUDE, P.E.  
IL REG. NO. # 062-036931  
LICENSE EXPIRES 11-30-05  
DAILY & ASSOCIATES, ENGINEERS, INC.  
SHEETS 1-25, 276-963, 965-916, 923-920, 932-933, 936-945, 952-958  
964-969, 971, 998-1001, 1004-1015, 1022-1022, 1064-1178

JAMES M. VASCONCELLES, P.E.  
IL REG. NO. # 062-026963  
LICENSE EXPIRES 11-30-05  
VASCONCELLES ENGINEERING CORPORATION  
SHEETS 904-911-922, 931, 934-935, 971-974, 976-978,  
992-997, 1002-1003, 1016-1021 & 1179-1195.

JAMES J. MARTY, P.E.  
IL REG. NO. # 062-034612  
LICENSE EXPIRES 11-30-05  
URS CORPORATION  
SHEETS 26-47, 46-105, 110-270, 248-302, 305-314, 320-387,  
643-895

MICHAEL J. SMITH, P.E.  
IL REG. NO. # 062-054845  
LICENSE EXPIRES 11-30-05  
MAURER - STUTZ, INC.  
SHEETS 44-45, 104-109, 271-297, 315-327  
347-372

FRED M. LIN, P.E.  
IL REG. NO. # 062-056704  
LICENSE EXPIRES 11-30-05  
LIN ENGINEERING, LTD  
SHEETS 1201-1210

GARY F. RYLANDER, P.E.  
IL REG. NO. # 062-051035  
LICENSE EXPIRES 11-30-05  
EDWARDS & KELCEY  
SHEETS 1326-1338

COVENTINE FIDIS, P.L.S.  
IL REG. NO. # 35-002159  
LICENSE EXPIRES 11-30-06  
AMERICAN SURVEYING CONSULTANTS, P.C.  
SHEETS 303-304 & 1026-1027

PS&E PLANS 105

PACKAGED BY  
DAILY & ASSOCIATES, ENGINEERS, INC.  
PROJECT MANAGER: JAMES F. SCHMUDE, P.E.  
7500 N. HARKER DRIVE  
PEORIA, ILLINOIS 61615  
309-691-5300  
peoria@dailyengineers.com  
IL DESIGN FIRM REGISTRATION NO. 184-000975

STATE OF ILLINOIS  
DEPARTMENT OF TRANSPORTATION  
DIVISION OF HIGHWAYS

SUBMITTED 2-10-2005

Deputy Director of Highways, Region Engineer

ENGINEER OF DESIGN AND ENVIRONMENT

DIRECTOR OF HIGHWAYS, CHIEF ENGINEER

PRINTED BY THE AUTHORITY  
OF THE STATE OF ILLINOIS

PROJECT ENGINEER: RICH DOTSON (309) 671-3455

LIASON ENGINEER: CHRISTOPHER MAUSHAARD (309) 671-3464

FINAL PLANS 1/05 D&A

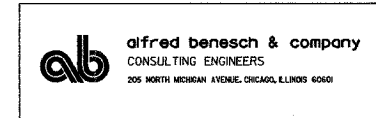
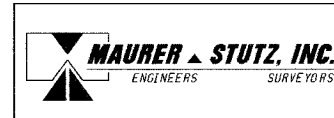
**INDEX OF SHEETS**

**PACKAGING SET**

SHEET NO.	DESCRIPTION
1	COVER SHEET
2-5	INDEX OF SHEETS
6-7	HIGHWAY/DISTRICT/PROJECT STANDARDS
8-10	GENERAL NOTES
11-24	MASTER SUMMARY OF QUANTITIES
25	MASTER EARTHWORK & RUMBLE STRIP SCHEDULES

F.A.I. RTE.	SECTION	COUNTY	TOTAL SHEETS	SHEET NO.
74	*	TAZEWELL	1366	2
STA.		TO STA.		
FED. ROAD DIST. NO. 4		ILLINOIS FED. AID PROJECT		

• (90-11)R-2;9013,14,14-1R-1



**DS5 SET 1 OF 4**

SHEET NO.	DESCRIPTION
26	COVER SHEET
27	INDEX OF SHEETS
28	GENERAL NOTES
29-43	TOTAL BILL OF MATERIALS
44-45	STATUS OF UTILITIES TO BE ADJUSTED
46-47	EXISTING TYPICAL SECTIONS (WB I-74)
48	EXISTING TYPICAL SECTIONS (RAMPS)
49-54	EXISTING TYPICAL SECTIONS (MAIN STREET)
55-65	PROPOSED TYPICAL SECTIONS (WB I-74)
66-69	PROPOSED TYPICAL SECTIONS (RAMP J-3)
70-72	PROPOSED TYPICAL SECTIONS (RAMP J-4)
73-78	PROPOSED TYPICAL SECTIONS (RAMP K-2)
79-85	PROPOSED TYPICAL SECTIONS (MAIN STREET)
86-90	PROPOSED TYPICAL SECTIONS (SIDE ROADS)
91-115	SCHEDULE OF QUANTITIES
116-117	REFERENCE TIES AND BENCHMARKS
118-121	SCHEMATIC DRAWINGS
122	MAINTENANCE OF TRAFFIC - GENERAL NOTES AND LEGENDS
123-124	MAINTENANCE OF TRAFFIC - STAGE 3A-1 CONSTRUCTION SEQUENCING
125-133	MAINTENANCE OF TRAFFIC - STAGE 3A-1
134-135	MAINTENANCE OF TRAFFIC - STAGE 3A (WITH SUB-STAGE 2) CONSTRUCTION SEQUENCING
136-153	MAINTENANCE OF TRAFFIC - STAGE 3A
154-164	MAINTENANCE OF TRAFFIC - STAGE 3A-2
165-166	MAINTENANCE OF TRAFFIC - STAGE 3A (WITH SUB-STAGE 3) CONSTRUCTION SEQUENCING
167-183	MAINTENANCE OF TRAFFIC - STAGE 3A-3
184-185	MAINTENANCE OF TRAFFIC - STAGE 3A (WITH SUB-STAGE 4) CONSTRUCTION SEQUENCING
186-198	MAINTENANCE OF TRAFFIC - STAGE 3A-4
199-200	MAINTENANCE OF TRAFFIC - STAGE 3A (WITH SUB-STAGE 5) CONSTRUCTION SEQUENCING
201	MAINTENANCE OF TRAFFIC - STAGE 3B CONSTRUCTION SEQUENCING
202-208	MAINTENANCE OF TRAFFIC - STAGE 3B
209	MAINTENANCE OF TRAFFIC - STAGE 3C CONSTRUCTION SEQUENCING
210	MAINTENANCE OF TRAFFIC - STAGE 3C
211-217	PLANS (WB I-74)
218-244	PLANS (MAIN STREET)
245-246	PLANS (BLACKJACK BLVD.)
247-248	PROFILE (WB I-74)
249	PROFILE (RAMP J-3)

SHEET NO.	DESCRIPTION
250	PROFILE (RAMP J-4)
251	PROFILE (RAMP K-2)
252-254	PROFILES (MAIN STREET)
255-270	DRAINAGE AND UTILITIES (WB I-74)
271-297	DRAINAGE AND UTILITIES (MAIN STREET)
298-302	CROSS SECTION SHEAR LINES
303-304	RIGHT OF WAY PLANS
305-314	INTERSECTION DETAILS
315-327	TRAFFIC SIGNAL PLANS
328-334	PAVEMENT MARKING (WB I-74)
335-339	PAVEMENT MARKING (MAIN STREET)
340-346	TEMPORARY GUIDE SIGN DETAILS
347-372	CONCEPTUAL TEMPORARY INFORMATION SIGNING PLANS
373-375	RAMP GORE AND PAVEMENT DETAILS
376	PAVEMENT JOINT DETAIL ALTORFER LANE AT MAIN STREET
377-382	BRIDGE APPROACH PAVEMENT DETAILS
383-385	MISCELLANEOUS DETAILS - IMPACT ATTENUATORS
386-387	EROSION CONTROL PLANS
388	EXISTING GENERAL PLAN AND ELEVATION AT PROPOSED STRUCTURE # SN 090-0159
389-421	BRIDGE PLANS SN 090-0159 (WB I-74 AND RAMP J-4 OVER ALTORFER LANE AND TP&W RR)
422	EXISTING GENERAL PLAN AND ELEVATION AT PROPOSED STRUCTURE # SN 090-0160
423-447	BRIDGE PLANS SN 090-0160 (WB I-74 OVER MAIN STREET)
448	EXISTING GENERAL PLAN AND ELEVATION AT PROPOSED STRUCTURE # SN 090-0009
449-516	BRIDGE PLANS SN 090-0009 (WB I-74 OVER CAMP STREET, FARM CREEK AND TP&W RR)
517	EXISTING GENERAL PLAN AND ELEVATION AT PROPOSED STRUCTURE # SN 090-0163
518-545	BRIDGE PLANS SN 090-0163 (WB I-74 OVER WASHINGTON STREET)
546-601	BRIDGE PLANS SN 090-0156 (RAMP K-2 OVER MAIN STREET & RAMP J-3)
602-622	RETAINING WALL 81 SN 090-8512 (RAMP J-3)
623-642	RETAINING WALL 82 SN 090-8513 (RAMP K-2)
643-662	D4 CADD STANDARDS
663-682	I-74 PROJECT STANDARDS
683-763	CROSS SECTIONS - I-74 W.B.
764-776	CROSS SECTIONS - RAMP J-3
777-791	CROSS SECTIONS - RAMP J-4
792-821	CROSS SECTIONS - RAMP K-2
822-893	CROSS SECTIONS - MAIN STREET
894-895	CROSS SECTIONS - EXISTING RAMP 20 & 21 GRADING

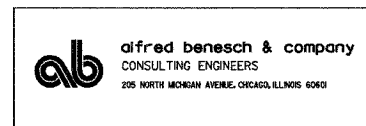
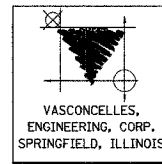
02/14/2005 11:10:12 AM g:\dtd\5589-74\dwg\contract\packaging\isibp-5a.dgn

CONTRACT # PACKAGING PAGE 2 OF 25 FINAL PLANS 01/17/05

<p>DAILY &amp; ASSOCIATES, ENGINEERS, INC. PEORIA, ILLINOIS</p>	REVISIONS		ILLINOIS DEPARTMENT OF TRANSPORTATION  INDEX OF SHEETS, HIGHWAY STANDARDS, COMMITMENTS AND GENERAL NOTES  DRAWN BY CHECKED BY
	NAME	DATE	
DATE 02/14/2005			

F.A.I. RTE.	SECTION	COUNTY	TOTAL SHEETS	SHEET NO.
74	*	TAZEWELL	1366	3
STA.		TO STA.		
FED. ROAD DIST. NO. 4		ILLINOIS FED. AID PROJECT		

\* (90-11)R-2;90(13,14,14-1)R-1



**DS6 SET 2 OF 4**

**SHEET NO. DESCRIPTION**

- 896 COVER SHEET
- 897-899 INDEX OF SHEETS, HIGHWAY STANDARDS, COMMITMENTS AND GENERAL NOTES
- 900-902 F.A.I. ROUTE (I-74) TOTAL BILL OF MATERIALS - PLAN SET #3 (FOR INFORMATION ONLY)
- 903 STATUS OF UTILITIES TO BE ADJUSTED F.A.I. ROUTE 74 (I-74) MAINLINE
- 904 STATUS OF UTILITIES TO BE ADJUSTED WASHINGTON STREET
- 905-918 F.A.I. ROUTE 74 (I-74) TYPICAL SECTION MAINLINE & RAMPS L-3 & L-4
- 919-922 TYPICAL SECTION SHEETS - WASHINGTON STREET
- 923-929 F.A.I. ROUTE 74 (I-74) SCHEDULE OF QUANTITIES (FOR INFORMATION ONLY)
- 930 ALIGNMENTS, TIES & BENCH MARKS MAINLINE
- 931 ALIGNMENTS, TIES & BENCH MARK WASHINGTON STREET
- 932-933 SCHEMATIC DRAWING F.A.I. ROUTE 74 (I-74) MAINLINE
- 934-935 SCHEMATIC DRAWING WASHINGTON STREET
- 936 MAINTENANCE OF TRAFFIC SCHEMATIC DRAWING MAINLINE STAGE 3
- 937 MAINTENANCE OF TRAFFIC SCHEMATIC DRAWING MAINLINE PRE-STAGE 3
- 938 MAINTENANCE OF TRAFFIC SCHEMATIC DRAWING MAINLINE STAGE 3A
- 939-945 MAINTENANCE OF TRAFFIC PLANS MAINLINE STAGE 3A
- 946-951 CONCEPTUAL TEMPORARY INFORMATION SIGNING PLANS MAINLINE STAGE 3A
- 952 MAINTENANCE OF TRAFFIC SCHEMATIC DRAWING MAINLINE STAGE 3B
- 953-958 MAINTENANCE OF TRAFFIC PLANS MAINLINE STAGE 3B
- 959-963 CONCEPTUAL TEMPORARY INFORMATION SIGNING PLANS MAINLINE STAGE 3B
- 964 MAINTENANCE OF TRAFFIC SCHEMATIC DRAWING MAINLINE STAGE 3C
- 965-970 CONCEPTUAL TEMPORARY INFORMATION SIGNING PLANS MAINLINE STAGE 3C
- 971 MAINTENANCE OF TRAFFIC SCHEMATIC DRAWING WASHINGTON STREET STAGE 3
- 972-974 MAINTENANCE OF TRAFFIC PLANS WASHINGTON STREET STAGE 3-1
- 975 CONCEPTUAL TEMPORARY INFORMATION SIGNING PLANS WASHINGTON STREET STAGE 3B-1
- 976-978 MAINTENANCE OF TRAFFIC PLANS WASHINGTON STREET STAGE 3-2
- 979 CONCEPTUAL TEMPORARY INFORMATION SIGNING PLANS WASHINGTON STREET STAGE 3B-2
- 980-987 ROADWAY PLAN F.A.I. ROUTE 74 (I-74) PLAN MAINLINE
- 988-991 ROADWAY PLAN F.A.I. ROUTE 74 (I-74) PLAN RAMPS L-1, L-2, L-3 AND L-4
- 992-997 ROADWAY PLAN WASHINGTON STREET
- 998-999 F.A.I. ROUTE 74 (I-74) ROADWAY PROFILE MAINLINE
- 1000-1001 F.A.I. ROUTE 74 (I-74) ROADWAY PROFILE RAMPS L-3 AND L-4
- 1002-1003 PROFILE WASHINGTON STREET
- 1004-1011 DRAINAGE & UTILITIES PLANS F.A.I. ROUTE 74 (I-74) MAINLINE
- 1012-1013 DRAINAGE & UTILITIES PLANS F.A.I. ROUTE 74 (I-74) RAMPS L-1 AND L-2
- 1014-1015 DRAINAGE & UTILITIES PLANS F.A.I. ROUTE 74 (I-74) RAMPS L-3 AND L-4
- 1016-1021 DRAINAGE & UTILITIES PLANS WASHINGTON STREET
- 1022-1023 INTERCHANGE GRADING DETAILS F.A.I. ROUTE 74 (I-74) RAMPS L-3 AND L-4
- 1024-1025 INTERCHANGE MATCH LINE DETAILS F.A.I. ROUTE 74 (I-74) RAMPS L-3 AND L-4
- 1026-1027 RIGHT OF WAY PLANS F.A.I. ROUTE 74 (I-74)
- 1028 INTERSECTION DETAIL RAMPS L-1 AND L-2 AT WASHINGTON STREET
- 1029 INTERSECTION DETAIL WASHINGTON STREET AT I-74
- 1030 INTERSECTION DETAIL RAMPS L-3 AND L-4 AT WASHINGTON STREET
- 1031-1034 PROPOSED PAVEMENT MARKING PLAN F.A.I. ROUTE 74 (I-74) MAINLINE
- 1035 PROPOSED PAVEMENT MARKING PLAN F.A.I. ROUTE 74 (I-74) RAMPS L-1 AND L-2
- 1036 PROPOSED PAVEMENT MARKING PLAN F.A.I. ROUTE 74 (I-74) RAMPS L-3 AND L-4
- 1037-1039 PAVEMENT MARKING PLAN WASHINGTON STREET
- 1040 RAMP L-4 GORE DETAILS F.A.I. 74 (I-74)
- 1041 RAMP L-3 GORE DETAILS F.A.I. 74 (I-74)
- 1042 GORE AREA DETAILS RAMPS L-3 AND L-4

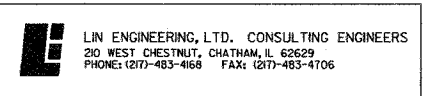
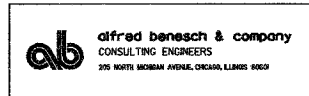
**SHEET NO. DESCRIPTION**

- 1043 BRIDGE APPROACH PAVEMENT (SPECIAL) DETAIL I-74 BRIDGE OVER WASHINGTON STREET S.N. 090-0163 (WB)
- 1044-1046 DRAINAGE DETAIL STORM SEWER JUNCTION VAULT STA. 154+141.496
- 1047-1049 DRAINAGE DETAIL TYPE A GUTTER (MODIFIED) (INLET, OUTLET & INLETS, SPECIAL)
- 1050 DRAINAGE DETAIL OUTLET TYPE 1 (MODIFIED) FOR TYPE A GUTTER (MODIFIED)
- 1051-1052 DRAINAGE DETAIL INLETS, SPECIAL (MODIFIED)
- 1053 DRAINAGE DETAIL MANHOLES, SPECIAL, 1.2 m DIAMETER STA.153+933.720 (W.B. I-74)
- 1054 DRAINAGE DETAIL ARTICULATED BLOCK MATS
- 1055 DRAINAGE DETAIL BENCH DRAINS
- 1056 MISCELLANEOUS DETAIL SUPER ELEVATION TABLES - RAMP L-4
- 1057 MISCELLANEOUS DETAIL SUPER ELEVATION TABLES - RAMP L-3
- 1058 MISCELLANEOUS DETAIL UNDERCUT DETAIL F.A.I. ROUTE 74 (W.B. I-74) - MAINLINE AND RAMPS
- 1059 MISCELLANEOUS DETAIL PIPE CULVERT (1650mm) EXTENSION COLLAR (WITHOUT END SECTION)
- 1060 MISCELLANEOUS DETAIL CONCRETE BARRIER DETAILS RAMP L-3 & L-4
- 1061-1062 MISCELLANEOUS DETAIL WESTBOUND LANE TRANSITION DETAIL
- 1063 TEMPORARY EROSION CONTROL WASHINGTON STREET
- 1064-1080 DISTRICT 4 CADD STANDARDS
- 1081-1094 I-74 PROJECT STANDARDS
- 1095-1161 CROSS SECTION MAINLINE
- 1162-1173 CROSS SECTION RAMP L-3
- 1174-1178 CROSS SECTION RAMP L-4
- 1179-1195 CROSS SECTION WASHINGTON STREET

02/14/2005 11:04:14 AM  
 g:\data\5589-74\dwg\contractor\packaging\102p-6a.dwg

CONTRACT IN PACKAGING PAGE 3 OF 25 FINAL PLANS 01/17/05

	REVISIONS		ILLINOIS DEPARTMENT OF TRANSPORTATION  INDEX OF SHEETS, HIGHWAY STANDARDS, COMMITMENTS AND GENERAL NOTES  DRAWN BY CHECKED BY
	NAME	DATE	
DATE 02/14/2005			



F.A.I. RTE.	SECTION	COUNTY	TOTAL SHEETS	SHEET NO.
74	*	TAZEWELL	1366	4
STA.		TO STA.		
FED. ROAD DIST. NO. 4		ILLINOIS FED. AID PROJECT		

• (90-11)R-2;90(13,14,14-1)R-1


**DS7 SET 3 OF 4**

PLAN SET SHEET NO.	SHEET NO.	DESCRIPTION
1196	1	Cover Sheet
1197	2	Index of Sheets, Highway Standards
1198-1200	3-5	Set 3 Total Bill of Materials
1201	MCL 1	Advance Construction Signing
1202-1205	MCL 2-5	Temporary Striping Details
1206	MCL 6	Advance Construction Signing
1207-1210	MCL 7-10	Permanent Striping Details
1211	L 1	Index of General Electrical and Construction Notes
1212	L 2	Bill of Materials
1213	L 3	Electrical Legend
1214	L 4	Lighting Criteria
1215	L 5	Pole and Luminaire Schedule
1216-1220	L 6-10	Proposed Lighting Plan W.B. I-74, Sta. 152 + 400 to Sta. 154 + 500
1221-1222	L 11-12	Proposed Lighting Plan N. Main St. Sta. 2 + 000 to Sta. 2 + 847
1223	L 13	Bridge Lighting Plan - Ramp K-2 Over N. Main St.
1224-1225	L 14-15	Bridge Lighting Plan - W.B. I-74 Over N. Main St.
1226	L 16	Bridge Lighting Plan - Ramp K-2 Over Ramp J-3
1227	L 17	Bridge Lighting Plan - W.B. I-74 Over Camp St.
1228-1229	L 18-19	Bridge Lighting Plan - W.B. I-74 Over Washington St.
1230-1231	L 20-21	Wiring Plan, W.B. I-74
1232	L 22	Wiring Plan, N. Main St.
1233	L 23	Lighting Controllers "M" & "W" Wiring and Details
1234	L 24	Lighting Controller "A" Wiring and Details
1235-1236	L 25-26	Lighting Removal Plan, W.B. I-74 Sta. 152 + 400 to Sta. 154 + 800
1237	L 27	Lighting Removal Plan, N. Main St. North of I-74
1238	L 28	Electric Service Installation and Trench Detail
1239	L 29	Proposed Lighting Controller Wiring and Details, Type CB-RCS-200
1240	L 30	Lighting Details
1241-1242	L 31-32	Miscellaneous Lighting Details
1243	L 33	Miscellaneous Underpass Lighting Details
1244	L 34	Miscellaneous High Mast Pole and Luminaire Details
1245	L 35	Light Tower Foundation (Type 2 In-Field)
1246	L 36	Light Tower Foundation Notes and Anchor Bolt Details
1247-1251	L 37-41	Light Tower Soil Borings
1252	S 1	Index of Sheets and Total Bill of Materials
1253-1265	S 2-14	Bill of Materials-Regulatory and Warning Signs
1266	S 15	Bill of Materials - Ground Mounted Sign (Removals)
1267-1268	S 16-17	Bill of Materials - Ground Mounted Signs (Proposed)
1269-1270	S 18-19	Ground Mounted Sign Details
1271	S 20	Bill of Materials-Overhead Signs
1272-1292	S 21-41	Permanent Signing Plan
1293-1302	S 42-51	Guide Sign Panel Details and Regulatory and Warning Sign Details
1303-1313	S 52-62	Overhead Sign Structures
1314-1323	S 63-72	Cantilever Sign Structures
1324	S 73	Soil Boring Logs
1325	S 74	Sign-Support, Parapet Mounted, Type 1

PLAN SET SHEET NO.	SHEET NO.	DESCRIPTION
1326	ITS 1	Index of Sheets, Standards and Utility/Agency Contacts
1327	ITS 2	Project Specific General Notes
1328	ITS 3	Bill of Materials
1329	ITS 4	Legend
1330	ITS 5	System Component Location Map
1331	ITS 6	Microwave Detector Subsystem MDS-I-74-01B (Sta. 152 + 725) Microwave Detector Station Site Layout
1332	ITS 7	Microwave Detector Mounting Details
1333	ITS 8	Microwave Detector Installation Details
1334	ITS 9	Nonintrusive Detector Pole Foundation Detail
1335	ITS 10	Highway-Rail Information Warning Sign Subsystem HRI-MN(EP)-03 (Main St. North) Highway-Rail Information Sign Site Layout
1336	ITS 11	Highway-Rail Information Sign Installation Detail
1337	ITS 12	Equipment Cabinet Details
1338	ITS 13	ITS Component Identification Plaque

01/13/2005 04:27:04 PM G:\data\3589-74\dwg\Contractor\Packaging\1303P-6A.dgn

CONTRACT IN PACKAGING PAGE 4 OF 25 FINAL PLANS 01/17/05

 DAILY & ASSOCIATES, ENGINEERS, INC. PEORIA, ILLINOIS	REVISIONS NAME      DATE		ILLINOIS DEPARTMENT OF TRANSPORTATION  INDEX OF SHEETS, HIGHWAY STANDARDS, COMMITMENTS AND GENERAL NOTES  DRAWN BY CHECKED BY	
DATE 01/13/2005				



Illinois Department  
of Transportation

**SET 4 OF 4**

PLAN SET SHEET NO.	SHEET NO.	DESCRIPTION
1339	1	Cover Sheet
1340	2	Listing of Standards
1341	3	Bill of Materials
1342-1346	4-8	Typical Sections
1347-1348	9-10	Schedule of Quantities
1349	11	Maintenance of Traffic
1350-1358	12-20	Roadway Plans
1359	21	Pavement Marking Plan
1360	22	Pavement Overlay Under Structure Detail
1361	23	Class B Patches (Special) Detail
1362	24	Butt Joint (Special) Detail
1363-1366	25-28	District CADD Standards

68201

F.A.I. RTE.	SECTION	COUNTY	TOTAL SHEETS	SHEET NO.
74	*	TAZEWELL	1366	5
STA.		TO STA.		
FED. ROAD DIST. NO. 4		ILLINOIS FED. AID PROJECT		

\* (90-111R-2;9013,14,14-1R-1

01/13/2005 04:18:48 PM  
 S:\data\5589-7A\Drawg\Contract\Packaging\SI\04AP-6A.dgn



REVISIONS	
NAME	DATE

ILLINOIS DEPARTMENT OF TRANSPORTATION

INDEX OF SHEETS,  
HIGHWAY STANDARDS,  
COMMITMENTS AND  
GENERAL NOTES

DATE 01/13/2005

DRAWN BY \_\_\_\_\_  
CHECKED BY \_\_\_\_\_

CONTRACT # 04-111R-2; 9013, 14, 14-1R-1

... \SI\04AP-6A.dgn

F.A.I. RTE.	SECTION	COUNTY	TOTAL SHEETS	SHEET NO.
74	*	TAZEWELL	1366	6
STA.		TO STA.		
FED. ROAD DIST. NO. 4		ILLINOIS FED. AID PROJECT		

\* (90-1)DR-2(90)13,14,14-DR-1

**HIGHWAY STANDARDS**

**HIGHWAY STANDARD NUMBER**


**TITLE**

000001-04	STANDARD SYMBOLS, ABBREVIATIONS AND PATTERNS
001001	AREAS OF REINFORCEMENT REBARS
202001	EARTH MEDIAN DITCH CHECK
280001-02	TEMPORARY EROSION CONTROL SYSTEMS
353001-01	PCC BASE COURSE WITH BITUMINOUS CONCRETE BINDER AND SURFACE COURSES
420001-05	PAVEMENT JOINTS
420101-02	7.2 m (24') JOINTED PCC PAVEMENT
420111-01	PCC PAVEMENT ROUNDOUTS
420206-05	ENTRANCE RAMP TERMINAL (JOINTED PCC RAMP PAVEMENT ADJACENT TO CRC MAINLINE PAVEMENT)
420306-05	EXIT RAMP TERMINAL (JOINTED PCC RAMP PAVEMENT ADJACENT TO CRC MAINLINE PAVEMENT)
420401-05	BRIDGE APPROACH PAVEMENT
420501-02	PCC PAVEMENT AND PCC BASE COURSE ADJACENT TO RAILROAD GRADE CROSSING
420701-01	PAVEMENT FABRIC
421201-04	7.2 m (24') CRC PAVEMENT (WITH LUG SYSTEM)
424001-03	CURB RAMPS FOR SIDEWALKS
442101-05	CLASS B PATCHES
442201-01	CLASS C AND D PATCHES
515001-02	NAME PLATE FOR BRIDGES
542101	REINFORCED CONCRETE END SECTIONS FOR PIPE CULVERTS 375 mm (15") THRU 900 mm (36") DIA. AT RIGHT ANGLES WITH ROADWAY
542106	REINFORCED CONCRETE END SECTIONS FOR PIPE CULVERT 1050 mm (42") THRU 1500 mm (60") DIA. AT RIGHT ANGLES WITH ROADWAY
542201	REINFORCED CONCRETE END SECTIONS FOR PIPE CULVERTS 375 mm (15") THRU 900 mm (36") DIA. SKEWED WITH ROADWAY
542301	PRECAST REINFORCED CONCRETE FLARED END SECTION
542306	PRECAST REINFORCED CONCRETE ELLIPTICAL FLARED END SECTION
542401	METAL END SECTION FOR PIPE CULVERTS
542501	INLET BOX TYPE 600 (24) A
542526	INLET BOX TYPE F 600 mm (24")
601001	SUB-SURFACE DRAINS
601101	CONCRETE HEADWALL FOR PIPE DRAIN
602101-01	DRAINAGE STRUCTURES TYPES 1, 2, & 3
602301	INLET - TYPE A
602306	INLET - TYPE B
602401	MANHOLE TYPE A
602406-01	MANHOLE TYPE A 1800 mm (72") DIAMETER
602601	PRECAST REINFORCED CONCRETE FLAT SLAB TOP
602701	CAST IRON STEPS
604001-02	FRAME AND LIDS TYPE 1
604006-02	FRAME AND GRATE TYPE 3
604021-01	BASE, FRAME AND LIDS, TYPE 5
604036-01	GRATE TYPE 8
604041-01	FRAME AND GRATE TYPE 9
604071-02	FRAME AND GRATE TYPE 20
604101	MEDIAN INLET FOR 600 mm (24") REINFORCED CONCRETE PIPE
606001-02	CONCRETE CURB TYPE B AND COMBINATION CONCRETE CURB AND GUTTER
606006	OUTLETS FOR CONC. CURB AND GUTTER TYPE B-15.60 (B-6.24)
606101-01	TYPE A GUTTER (INLET, OUTLET & ENTRANCE)
606111-01	OUTLETS TYPE 2 FOR TYPE A GUTTER
606301-02	PC CONCRETE ISLANDS AND MEDIANS
606306-01	CORRUGATED PC CONCRETE MEDIANS
609001-02	BRIDGE APPROACH SHOULDER PAVEMENT AND DRAIN
609006-02	BRIDGE APPROACH PAVEMENT (DRAIN DETAIL)
610001-02	SHOULDER INLET WITH CURB
630001-05	STEEL PLATE BEAM GUARDRAIL
630301-03	SHOULDER WIDENING FOR TYPE 1 (SPECIAL) GUARDRAIL TERMINALS

631011-02	TRAFFIC BARRIER TERMINAL TYPE 2
631026-02	TRAFFIC BARRIER TERMINAL TYPE 5 & 5A
631031-05	TRAFFIC BARRIER TERMINAL, TYPE 6
635001	DELINEATORS
635006-02	REFLECTOR AND TERMINAL MARKER PLACEMENT
635011-01	REFLECTOR MARKER AND MOUNTING DETAILS
664001-01	CHAIN LINK FENCE
701006-02	OFF-RD OPERATIONS, 2L, 2W, 4.5 m (15') TO 600 mm (24") FROM PAVEMENT EDGE
701101-01	OFF-RD OPERATIONS, MULTILANE, 4.5 M (15') TO 600 mm (24") FROM PAVEMENT EDGE
701106-01	OFF-RD OPERATIONS, MULTILANE, MORE THAN 4.5 M (15') AWAY
701201-02	LANE CLOSURE, 2L, 2W, DAY ONLY, FOR SPEEDS ≥ 45 MPH
701301-02	LANE CLOSURE, 2L, 2W, SHORT TIME OPERATIONS
701306-01	LANE CLOSURE, 2L, 2W, SLOW MOVING OPERATIONS DAY ONLY, FOR SPEEDS ≥ 45 MPH
701400-02	APPROACH TO LANE CLOSURE, FREEWAY/EXPRESSWAY
701401-03	LANE CLOSURE, FREEWAY/EXPRESSWAY
701402-05	LANE CLOSURE, FREEWAY/EXPRESSWAY, WITH BARRIER
701406-04	LANE CLOSURE, FREEWAY/EXPRESSWAY, DAY OPERATIONS ONLY
701411-03	LANE CLOSURE, MULTILANE, AT ENTRANCE OR EXIT RAMP, FOR SPEEDS ≥ 45 MPH
701416-05	LANE CLOSURE, FREEWAY/EXPRESSWAY, WITH CROSSOVER AND BARRIER
701421-01	LANE CLOSURE, MULTILANE, DAY OPERATIONS ONLY, FOR SPEEDS ≥ 45 MPH TO 55 MPH
701422-01	LANE CLOSURE, MULTILANE, FOR SPEEDS ≥ 45 MPH TO 55 MPH
701426-02	LANE CLOSURE, MULTILANE, INTERMITTENT OR MOVING OPER., FOR SPEEDS ≥ 45 MPH
701446	TWO LANE CLOSURE FREEWAY/EXPRESSWAY
701501-03	URBAN LANE CLOSURE, 2L, 2W, UNDIVIDED
701502-01	URBAN LANE CLOSURE, 2L, 2W, WITH BIDIRECTIONAL LEFT TURN LANE
701601-04	URBAN LANE CLOSURE, MULTILANE, 1W OR 2W WITH NONTRAVERSABLE MEDIAN
701602-02	URBAN LANE CLOSURE, MULTILANE, 2W WITH BIDIRECTIONAL LEFT TURN LANE
701701-04	URBAN LANE CLOSURE, MULTILANE INTERSECTION
701801-03	LANE CLOSURE MULTILANE 1W OR 2W CROSSWALK OR SIDEWALK CLOSURE
702001-05	TRAFFIC CONTROL DEVICES
704001-02	TEMPORARY CONCRETE BARRIER
720001	SIGN PANEL MOUNTING DETAILS
720006	SIGN PANEL ERECTION DETAILS
720011	METAL POSTS FOR SIGNS, MARKERS & DELINEATORS
720016-01	MAST ARM MOUNTED STREET NAME SIGNS
720021-01	SIGN PANELS EXTRUDED ALUMINUM TYPE
729001	APPLICATIONS OF TYPES A & B METAL POSTS (FOR SIGNS & MARKERS)
780001-01	TYPICAL PAVEMENT MARKINGS
781001-02	TYPICAL APPLICATIONS RAISED REFLECTIVE PAVEMENT MARKERS
805001	ELECTRIC SERVICE INSTALLATION DETAILS
814001	CONCRETE HANDHOLES
814006	DOUBLE HANDHOLES
857001	STANDARD PHASE DESIGNATION DIAGRAMS AND PHASE SEQUENCES
857006	SUPERVISED RAILROAD INTERCONNECT CIRCUIT
877011-02	STEEL COMBINATION MAST ARM ASSEMBLY AND POLE
878001-03	CONCRETE FOUNDATION DETAILS
880001	SPAN WIRE MOUNTED SIGNALS AND FLASHING BEACON INSTALLATION
880006	TRAFFIC SIGNAL MOUNTING DETAILS
886001	DETECTOR LOOP INSTALLATIONS

01/12/2005 11:32:13 AM g:\dct\55589-74\dwg\contract\packaging\sl04bp-5a.dgn

CONTRACT # PACKAGING PAGE 6 OF 25 FINAL PLANS 01/17/05

 DAILY & ASSOCIATES, ENGINEERS, INC. PEORIA, ILLINOIS	REVISIONS		ILLINOIS DEPARTMENT OF TRANSPORTATION  INDEX OF SHEETS, HIGHWAY STANDARDS, COMMITMENTS AND GENERAL NOTES  DRAWN BY CHECKED BY
	NAME	DATE	
DATE 01/12/2005			

F.A.I. RTE.	SECTION	COUNTY	TOTAL SHEETS	SHEET NO.
74	*	TAZEWELL	1366	7
STA.		TO STA.		
FED. ROAD DIST. NO. 4		ILLINOIS FED. AID PROJECT		

• (90-11)R-2;90(13,14,14-1)R-1

**DISTRICT 4  
STANDARD  
NUMBER**

**TITLE**

205001-D4	SLOPE STEPS DETAIL
280001-D4	TYPICAL APPLICATION OF SILT FILTER FENCE
280101-D4	EROSION CONTROL AGGREGATE DITCH CHECK
281001-D4	RIPRAP DITCH FOR EROSION PROTECTION
406001-D4	PAVEMENT OVERLAY UNDER STRUCTURES SPECIAL TREATMENT
406101-D4	BUTT JOINTS
420401-D4	BRIDGE APPROACH DETAIL
423001-D4	SUBURBAN ENTRANCES WITH CURBED RADII
440001-D4	BITUMINOUS SURFACE REMOVAL (COLD MILLING)
440101-D4	BITUMINOUS SURFACE REMOVAL OVER PATCHES
542016-D4	PIPE CULVERT EXTENSION COLLAR (WITHOUT END SECTION)
601101-D4	SLOPE DRAIN DETAILS FOR BURIED PIPES
601201-D4	BACKSLOPE DRAINS
601301-D4	PIPE ELBOW
601401-D4	DETAILS OF SEEPAGE COLLARS FOR BURIED PIPES
602006-D4	INLETS, TYPE G-1, SPECIAL
602016-D4	INLETS, TYPE G-1 DOUBLE, SPECIAL
602026-D4	INLET-MANHOLE, TYPE G-1, SPECIAL
602101-D4	PRECAST REINFORCED CONCRETE FLAT SLAB TOP FOR INLET-MANHOLE, TYPE G-1 AND TYPE G-1, SPECIAL
602401-D4	TEMPORARY INLET DRAINAGE TREATMENT
602501-D4	MANHOLE, SPECIAL
604001-D4	FRAME AND GRATES FOR TYPE G-1 AND TYPE G-1, SPECIAL DRAINAGE STRUCTURES
604101-D4	MEDIAN INLET (604101), SPECIAL AND MEDIAN INLET (604106), SPECIAL
604201-D4	FRAME & GRATE ADJUSTING RING
604301-D4	TYPE 37 GRATE
606101-D4	TYPE A GUTTER, (MODIFIED) (INLET, OUTLET & ENTRANCE)
606106-D4	OUTLET TYPE 1 (MODIFIED) FOR TYPE A GUTTER (MODIFIED)
609001-D4	CONCRETE THRUST BLOCKS
630101-D4	GUARDRAIL EROSION CONTROL TREATMENTS
635101-D4	GUARDRAIL AND BARRIER WALL DELINEATION
667101-D4	PERMANENT SURVEY TIE & PERMANENT SURVEY MARKERS TY. I- TY. II
720006-D4	GROUND MOUNT SIGN STRUCTURE DETAILS
780001-D4	TYPICAL PAVEMENT MARKINGS
836002-D4	DETAIL FOR TRAFFIC COUNTERS USING TERMINAL FACILITY

**I-74  
STANDARD  
NUMBER**


**TITLE**

420101-I74	JOINTED PCC PAVEMENT FOR RAMPS
420206-I74	TYPICAL ENTRANCE RAMP TERMINAL (JOINTED PCC RAMP ADJACENT TO CRC PAVEMENT)
420306-I74	TYPICAL EXIT RAMP TERMINAL (JOINTED PCC RAMP ADJACENT TO CRC PAVEMENT)
420401-I74	BRIDGE APPROACH PAVEMENT (SPECIAL) EXPANSION JOINT
420402-I74	MAINLINE AND RAMP BRIDGE APPROACH EXPANSION JOINT DETAIL
421001-I74	BAR REINFORCEMENT FOR CRC PAVEMENT
421206-I74	10.8 M CRC PAVEMENT (WITH LUG SYSTEM)
483001-I74	PCC SHOULDER FOR MAINLINE AND RAMPS
503002-I74	BRIDGE MEDIAN BARRIERS AND BRIDGE PARAPET CONFIGURATION
503002A-I74	RUSTICATION DETAILS AND APPLICATION
601001-I74	SUB-SURFACE DRAINS
602101-I74	DRAINAGE STRUCTURE TYPE 1A & 1B 1.2M x 0.9M AND 1.2M x 1.5M FOR H ≤ 2.4M
602102-I74	DRAINAGE STRUCTURES TYPES 1, 2 & 3
630101-I74	GUARDRAIL AGGREGATE EROSION CONTROL TREATMENT & CONCRETE SHOULDER CURB
637001-I74	CONCRETE BARRIER, DOUBLE FACE (MODIFIED) & CONCRETE BARRIER TRANSITION (MODIFIED) FOR SIGN STRUCTURE, HIGH MAST LIGHT TOWER, AND PIER FOUNDATIONS
637002-I74	CONCRETE BARRIER, SINGLE FACE (MODIFIED)
642001-I74	I-74 SHOULDER RUMBLE STRIPS
701004-I74	TYPICAL CRASH INVESTIGATION SITE (CIS) - SIGNING DETAIL
701101-I74	TRAFFIC CONTROL DETAILS FOR FREEWAY
	SHOULDER CLOSURES PARTIAL RAMP CLOSURES
701403-I74	TRAFFIC CONTROL DETAILS FOR FREEWAY
	CENTER LANE CLOSURE MULTILANE WEAVE SHOULDER LANE
701411-I74	ENTRANCE AND EXIT RAMP CLOSURE DETAILS
733002-I74	SIGN SUPPORT, PARAPET MOUNTED, TYPE 1
857003-I74	BATTERY BACKUP SYSTEM

**COMMITMENTS**

COMMITMENTS ARE NOT TO BE ALTERED WITHOUT THE WRITTEN APPROVAL OF ALL PARTIES TO WHICH THE COMMITMENT WAS MADE.

1. THE EAST PEORIA FESTIVAL OF LIGHTS PARADE IS HELD IN LATE NOVEMBER (SEE THE SPECIAL PROVISIONS FOR EXACT DATES). THE PARADE ROUTE INCLUDES PORTIONS OF WASHINGTON STREET ON THIS PROJECT. THE RESIDENT ENGINEER SHALL CONTACT MR. RICK JEREMIAH, EAST PEORIA DIRECTOR OF PUBLIC WORKS, A MINIMUM OF 14 CALENDAR DAYS PRIOR TO THE EVENT TO NOTIFY THE CITY OF LANE CLOSURES OR WORK REDUCTIONS ON THE PROJECT. THE CONTACT PHONE NUMBER 309-698-4716.
2. PARCEL NO. 415P062TE, COMMITMENT TO HAGERTY STEEL & ALUMINUM COMPANY TO PROVIDE AT LEAST ONE LANE OPEN TO TRAFFIC AT THEIR ENTRANCE AT ALL TIMES. AFTER CONSTRUCTION, THE TEMPORARY EASEMENT AREA WILL BE RETURNED TO A SIMILAR CONDITION AS IT NOW EXISTS.
3. LETTER OF UNDERSTANDING WITH THE CITY OF EAST PEORIA. A COPY OF THE LETTER IS ON FILE AT THE RESIDENT ENGINEERS FIELD OFFICE.

 DAILY & ASSOCIATES, ENGINEERS, INC. PEORIA, ILLINOIS	REVISIONS		ILLINOIS DEPARTMENT OF TRANSPORTATION  INDEX OF SHEETS, HIGHWAY STANDARDS, COMMITMENTS AND GENERAL NOTES  DRAWN BY CHECKED BY
	NAME	DATE	
DATE 02/14/2005			

F.A.I. RTE.	SECTION	COUNTY	TOTAL SHEETS	SHEET NO.
74	*	TAZEWELL	1366	8
STA.		TO STA.		
FED. ROAD DIST. NO. 4		ILLINOIS FED. AID PROJECT		

\* (90-111R-2;90G13,14,14-11R-1

**GENERAL NOTES**

**SOIL REPORT AVAILABILITY**

All soils data collected and processed for the Soils Report made in conjunction with the design of this improvement is on file at the District Office where it is available for the inspection of Contractors or prospective bidders.

**AVAILABILITY OF ELECTRONIC FILES**

MicroStation and GEOPAK files of this project will be made available to the Contractor. If there is a conflict between the electronic files and the printed contract plans and documents, the printed contract plans and documents shall take precedence over the electronic files. The Contractor shall accept all risk associated with using the electronic files and shall hold the Department harmless for any errors or omissions in the electronic files and the data contained therein. Errors or delays resulting from the use of the electronic files by the Contractor shall not result in an extension of time for any interim or final completion date or shall not be considered cause for additional compensation. The Contractor shall not use, share, or distribute these electronic files except for the purpose of constructing this contract. Any claims by third parties due to use or errors shall be the sole responsibility of the Contractor. The Contractor shall include this disclaimer with the transfer of these electronic files to any other parties and shall include appropriate language binding them to similar responsibilities.

**UTILITIES - LOCATIONS INFORMATION ON PLANS**

The locations of existing water mains, gas mains, sewers, electric power lines, telephone lines and other utilities as shown on the plans are based on careful field investigation and the best information available, but they are not guaranteed. Unless elevations are shown - all utility locations shown on the cross sections are based on the approximate depth supplied by the utility company. It shall be the Contractor's responsibility to ascertain their exact location from the utility companies and by field inspection.

**TREE REMOVAL - UTILITY RELOCATION**

Tree removal may be necessary prior to utility companies being able to relocate their facilities outside the construction limits. The Contractor should coordinate any contract tree removal activities with the utility companies to eliminate conflicts and potential delays caused by utility tree removal activities or incomplete utility relocations.

**PLAN ELEVATIONS - U.S.G.S. MEAN SEA LEVEL DATUM**

All elevations shown on the plans are established from U.S.G.S. mean sea level datum.

**PROPERTY OWNER ACCESS REQUIREMENT**

Access must be maintained to all existing properties during construction per article 107.09 unless arrangements are made in writing by the Contractor with the property owners with a copy to the Engineer for short-term closures.

**CONSECUTIVE SIDE STREET (ROAD) CLOSURE - PROHIBITED**

1. No two consecutive side streets (roads) may be closed at the same time during construction. The Contractor must alternate streets (roads).
2. Adjacent side roads will not be closed simultaneously. BLR standard 21 shall be used for all local road closures without any entrances within the closed area. BLR Standard 22 can be used where it is necessary to allow local traffic access.

**TEMPORARY MATERIAL REQUIREMENTS - UTILITY AND DRIVEWAY CROSSINGS**

Incidental bituminous surface shall be used for all temporary side road crossings. Aggregate surface course may be used for all driveway crossings except during winter shutdown in accordance with article 107.09.

**WINTER SHUTDOWN RESTRICTIONS ON COLD MILLED PROJECTS**

Prior to winter shutdown the following steps shall be taken:

- All cold milled surfaces shall be overlaid.
- All Lanes shall be reopened to traffic.
- Manholes, where applicable, shall be adjusted to the elevation of the binder to ease in plowing snow, and re-adjusted to finished grade in the Spring. The initial manhole adjustment will be paid for at the contract unit price and any re-adjustment, as directed by the Engineer, will be paid for in accordance with Article 109.04.
- Temporary or permanent pavement marking shall be placed as applicable.

**GENERAL NOTES (continued)**

**CRITICAL PATH WORK SCHEDULE REQUIREMENT**

The Contractor will submit to the Engineer a satisfactory progress schedule and critical path schedule which show the proposed sequence of work at the time of the pre-construction conference.

**CLEARING**

At locations where clearing is indicated on the plans beyond the limits of the proposed excavation or embankment, the Contractor shall restore the disturbed earth by blading and shaping to blend with the adjacent ground. The clearing will not be paid for separately but shall be included in the cost of Earth Excavation. Payment for reseeded or resodded shall be as provided in the plans.

**TREE REMOVAL**

The District Four Tree Committee should be contacted and prior approval obtained for any tree removal beyond the limits/locations included in the plans.

**ENVIRONMENTAL REVIEWS**

Prior to the use of any proposed borrow areas, use areas (temporary access roads, detours, run-arounds, etc.) and/or waste areas, the Contractor shall file the required environmental resource request surveys according to Section 107.22 of the Standard Specifications. These surveys are required in order for the Department to conduct cultural and biological resource surveys for the proposed site.

Prior to any waste materials being removed from the construction site the required environmental resource surveys will need to be obtained and filed by the Contractor. Excess waste products removed from the construction site shall be disposed of as required in Section 202.03 of the Standard Specifications.

Any protruding metal bars shall be removed prior to the disposal of broken concrete at approved disposal sites.


The required environmental resource documentation shall include the following:

- \*BDE Form 2289 (Environmental Survey Request)
- \*A location map showing the size limits and location of the use area
- \*Signed property owner agreement form
- \*Color photographs depicting the use area

Please note that a minimum of two weeks shall be allowed for the District to obtain the required environmental clearances.

**SEEDING - SIDESLOPE RIPPING**

All slopes steeper than 1 to 3 and over 4.5 m (15 ft.) in height shall be ripped. This shall consist of ripping between 450 mm to 600 mm (18 inches to 24 inches) deep normal to the slope. The interval of ripping along the slope shall be 3.6 m (12 ft.). This work shall be done after the seed bed has been prepared but before any fertilizer or seed has been applied. The fertilizer and seed shall be applied within a 24-hour period after the ripping has been done. This work will not be paid for separately but will be included in the cost of the various items of seeding involved.

 DAILY & ASSOCIATES, ENGINEERS, INC. PEORIA, ILLINOIS	REVISIONS		ILLINOIS DEPARTMENT OF TRANSPORTATION  INDEX OF SHEETS, HIGHWAY STANDARDS, COMMITMENTS AND GENERAL NOTES  DRAWN BY CHECKED BY
	NAME	DATE	
DATE 01/12/2005			

01/12/2005 11:32:15 AM  
 G:\dotto\5589-74\dwg\conrr\pack\qldg\106p-6a.dgn

CONTRACT IN PACKAGING PAGE 8 OF 25 FINAL PLANS 01/17/05



F.A.I. RTE.	SECTION	COUNTY	TOTAL SHEETS	SHEET NO.
74	*	TAZEWELL	1366	9
STA.		TO STA.		
FED. ROAD DIST. NO. 4		ILLINOIS FED. AID PROJECT		

• (90-1)R-2;90(13,14,14-1)R-1

**GENERAL NOTES (continued)**

**AGGREGATE (BASE COURSE), TYPE B**

Aggregate (Base Course), Type B shall be required for all granular construction of side roads, entrances, and mailbox turnouts, whether or not portions of the surfaces thus constructed are to be covered with a bituminous surface, except where noted differently on the plans.

**LABORATORY TESTING OF SUPERPAVE MIXES**

Some aggregate compositions produce inconsistent results when burned in the ignition oven. The Engineer will determine whether the ignition oven or AC nuclear gauge will be required after the aggregate sources have been identified.

**PAVEMENT STATION NUMBERS & PLACEMENT**

The Contractor shall provide labor and materials required to imprint pavement station numbers in the finished surface of the pavement and/or overlay. The numbers shall be approximately 20 mm (3/4 inch) wide, 125 mm (5 inches) high and 15 mm (5/8 inch) deep.

The pavement station numbers shall be installed as specified herein:

Interval – 100 meters (metric stationing) or 200 feet (English stationing)

Bottom of Numbers – 150 mm (6 inches) from the inside edge of the pavement marking

Location:

\*2, 3, & 5 Lane Pavements – right edge of pavement in direction of increasing stations

\*Multi-Lane Divided Roadways – outside edge of pavement in both directions

\*Ramps – along baseline edge of pavement

Position – stations shall be placed so they can be read from the adjacent shoulder

Format – Metric (English) pavement stations shall use this format "XX + X00 (XXX)", where

X represents the pavement station

This work will not be paid for separately, but will be considered included in the cost of the associated pavement and/or overlay pay items.

**MINIMUM VERTICAL CLEARANCE**

The Contractor shall verify the existing structure vertical clearance prior to placing bituminous overlay under any structure. A minimum 4.65 m vertical clearance shall be maintained under all structures.

**BUTT JOINT CUTTING TIME RESTRICTION**

Butt joints shall not be milled more than three (3) days prior to placement of the bituminous surface course.

**PAVING SURFACE COURSE, CL I CONTINUOUS**

Continuous paving operations on the main roadway shall be maintained at all times during the construction of the bituminous surface. No interruptions for side roads, entrances, turn lanes, etc. will be allowed.

**FINAL FINISH ON P.C. CONCRETE PAVEMENT, TYPE B**

A Type "B" final finish, obtained in accordance with Article 420.11 (e)(2) of the Standard Specifications, shall be provided for the Portland Cement Concrete Pavement.

**ADDITIONAL BITUMINOUS OVERLAY IN LIEU OF PATCHING**

An additional thickness of bituminous overlay is being placed on this project to allow pavement patching to be either eliminated or reduced to a very limited quantity. The intent of this treatment is to minimize or eliminate the need for any pavement patching.

**GENERAL NOTES (continued)**

**REFLECTIVE CRACK CONTROL PLACEMENT**

Reflective crack control treatment shall be placed on the binder courses.

**ORDERING LENGTH CONFIRMATION – DRAINAGE ITEMS**

The Contractor shall consult with the Engineer in regard to the exact length of the box/pipe culverts, storm sewers, and/or pipe drains required prior to ordering these items.

**EXISTING DRAINAGE PIPES CONNECTED TO NEW STRUCTURES**

In accordance with Section 602 of the Standard Specifications, the connecting of existing drain tiles, pipe culverts, or storm sewers to the proposed drainage system structures will not be paid for separately but shall be considered as included in the pay items provided.

**TAPER REMOVAL @ FRAME & GRATES ADJUSTED BY OTHERS**

At locations where frames and grates have previously been adjusted by others and they are surrounded by bituminous tapers, the Contractor for this contract shall remove and dispose of the bituminous taper material prior to the placement of the bituminous surface course. This work will not be paid for separately, but will be considered as included in the cost of the BITUMINOUS SURFACE COURSE

**TRANSITION PAYMENT METHOD – NEWOLD CONSTRUCTION**

Three meter (3 m) (10 ft.) transitions shall be used to match proposed items of work to existing items in the field unless otherwise shown. The transition shall be paid for at the contract unit price for the proposed item of work specified.


**SIGN POST HOLES**

Vertical holes shall be constructed in the island pavement and/or concrete median of the type specified or concrete median surface 100 mm (4 inches). The holes shall be 600 mm (24 inches) in diameter or 600 mm (24 inches) square and they shall be free of any obstructions, except earth, for a depth of 1.5 m (5 feet) at the locations shown on the plans or as directed by the Engineer. Any holes not used for the placement of signs shall be filled and compacted flush with the top of the island pavement, concrete median of the types specified, or concrete median surface 100 mm (4 inches). The top 75 mm (3 inches) of said compacted fill shall consist of a bituminous concrete mixture. All holes in which the sign posts are installed at the time of this contract shall be similarly filled.

This work, including any required pavement removal necessary to construct the sign post holes, will not be paid for separately but shall be included in the contract unit price per square meter (square foot) for ISLAND PAVEMENT and/or CONCRETE MEDIAN of the type specified, or CONCRETE MEDIAN SURFACE, 100 mm (4 inches).

01/12/2005 11:32:16 AM g:\dottd\35889-74\dwg\contract\packaging\sls101p-6a.dgn

CONTRACT IN PACKAGING PAGE 9 OF 25 FINAL PLANS 01/17/05

 DAILY & ASSOCIATES, ENGINEERS, INC. PEORIA, ILLINOIS	REVISIONS		ILLINOIS DEPARTMENT OF TRANSPORTATION  INDEX OF SHEETS, HIGHWAY STANDARDS, COMMITMENTS AND GENERAL NOTES  DRAWN BY CHECKED BY
	NAME	DATE	
DATE 01/12/2005			

F.A.I. RTE.	SECTION	COUNTY	TOTAL SHEETS	SHEET NO.
74	*	TAZEWELL	1366	10
STA.		TO STA.		
FED. ROAD DIST. NO. 4		ILLINOIS FED. AID PROJECT		

**GENERAL NOTES (continued)**

**ENGINEERS FIELD OFFICE**

Add the following sentence to the end of paragraph 670.02 (I) and 670.04 (E):

All of the telephone lines provided shall have unpublished numbers.

**SIGNING**

Sign locations may vary from the stations shown on the plans in accordance with directions from the Engineer at the time of construction. Sign locations may be adjusted in the field to avoid any found utilities.

All wood post locations shall be verified with the Bureau of Operations, Traffic Section, before installation.

**TRAFFIC SIGNALS, REMOVAL/RETURNED TO IDOT**

All equipment removed under "Remove Existing Traffic Control Equipment" is to be returned to the Illinois Department of Transportation, District Four, Bureau of Operations, Traffic Operations Building, at 5826 North Knoxville Avenue, Peoria, Illinois.

**TRAFFIC COUNTER LOOP DETECTOR INSTALLATION**

The Resident Engineer and/or Contractor shall notify the Traffic Studies Technician in Program Development at least one week prior to the installation to determine exact location.

**TRAFFIC SIGNAL, EXISTING, OPERATIONAL DURING NEW CONSTRUCTION**

The existing traffic signals shall remain in operation during installation of the proposed traffic signals.

**TRAFFIC SIGNALS, MAINTENANCE OF EXISTING DURING CONSTRUCTION**

Any maintenance of the existing signals shall be considered as extra work in accordance with Article 109.04 of the Standard Specifications.

**BITUMINOUS CONCRETE MIXTURE REQUIREMENTS**

The following mixture requirements are applicable for this project:

LOCATION(S):	ALL (EXCEPT PLAN SET 4***)	ALL (EXCEPT PLAN SET 4***)	ALL (EXCEPT PLAN SET 4***)	ALL (EXCEPT PLAN SET 4***)	PLAN SET 4***	PLAN SET 4***	PLAN SET 4***
MIXTURE USE(S):	SURFACE COURSE	BASE COURSE (ALL THICKNESSES) & CLASS D PATCHES	BITUMINOUS SHOULDERS (BOTTOM LIFT) & STABILIZED SUB-BASE	BITUMINOUS SHOULDERS (TOP LIFT)	I-74 SURFACE COURSE	I-74 BINDER COURSE	I-74 BITUMINOUS SHOULDERS
ACPG:	PG 64-22	PG 64-22	PG 58-22	PG 58-22	SBS OR SBR PG 76-22	SBS OR SBR PG 76-22	SBS OR SBR PG 64-22
RAP %: (MAX)**	10 %	15 %	30 %	30 %	0 % *	0 % *	30 % *
DESIGN AIR VOIDS:	4.2 % @ Ndes = 70	4.2 % @ Ndes = 70	4.0 % @ Ndes = 30	3.0 % @ Ndes = 30	4.2 % @ Ndes = 90	4.2 % @ Ndes = 90	3.0 % @ Ndes = 30
MIXTURE COMPOSITION: (GRADATION MIXTURE)	IL 9.5 OR 12.5	IL 19.0	IL 19.0 L (LOW ESAL)	IL 9.5 L (LOW ESAL)	IL 9.5 OR IL 12.5	IL 19.0	IL 9.5L
FRICTION AGGREGTE	MIX D	N/A	N/A	MIXTURE C	MIXTURE E	N/A	MIX C

\* IF THE RAP OPTION IS SELECTED, THE ASPHALT CEMENT GRADE MAY NEED TO BE ADJUSTED; THIS WILL BE DETERMINED BY THE ENGINEER.  
 \*\*IF > 15% RAP IS USED, THE CONTRACTOR MAY BE REQUIRED TO USE A SOFTER GRADE OF ASPHALT AS DETERMINED BY THE MATERIALS ENGINEER.  
 \*\*\* THIS INCLUDES ALL I-74 PAVING EAST OF STATION 154+780 ONLY.

**STRUCTURAL SHOP DRAWING REVIEW**

THE FOLLOWING TABLE OUTLINES SHOP DRAWING SUBMITTAL REQUIREMENTS:

STRUCTURE NUMBER	DESIGN CONSULTANT (FOR REVIEW)	CONSTRUCTION ENGINEER (FOR INFORMATION)
090-0009 090-0159 090-0160 090-0163 090-8512 090-8513	URS CORPORATION 3040 N. UNIVERSITY AVENUE SUITE ONE DECATUR, ILLINOIS 62526-1343 ATTN: MR. JAMES MARTY 217-875-4800	APPLICABLE CONTRACT CONSTRUCTION ENGINEER
090-0156	ALFRED BENESCH AND COMPANY 205 N. MICHIGAN AVENUE SUITE 2400 CHICAGO, ILLINOIS 60601 ATTN: MR. DAVID MORRILL 312-565-0450	APPLICABLE CONTRACT CONSTRUCTION ENGINEER
SIGN STRUCTURES	ALFRED BENESCH AND COMPANY 205 N. MICHIGAN AVENUE SUITE 2400 CHICAGO, ILLINOIS 60601 ATTN: MR. DAVID MORRILL 312-565-0450	APPLICABLE CONTRACT CONSTRUCTION ENGINEER

**AESTHETICS ELEMENTS SHOP DRAWINGS REVIEW**

AESTHETICS ELEMENT SHOP DRAWINGS SHALL BE SUBMITTED BY THE FABRICATOR TO THE DESIGN CONSULTANT AND/OR TO THE AESTHETIC DESIGNER FOR REVIEW AS DENOTED IN THE TABLE BELOW. A CONCURRENT COPY OF THE TRANSMITTAL LETTER SHALL BE SUBMITTED TO THE CONSTRUCTION ENGINEER AND TO THE DISTRICT IMPLEMENTATION ENGINEER.

THE FOLLOWING TABLE OUTLINES THE RESPONSIBILITIES FOR REVIEW OF THE SHOP DRAWINGS AS THEY PERTAIN TO THE AESTHETIC ELEMENTS. SHOP DRAWINGS SHALL BE ADDRESSED TO:

**AESTHETICS DESIGNER**

ALFRED BENESCH AND COMPANY  
205 N. MICHIGAN AVENUE  
SUITE 2400  
CHICAGO, ILLINOIS 60601  
ATTN: MR. DAVID MORRILL  
312-565-0450

**DESIGN CONSULTANT**

URS CORPORATION  
3040 N. UNIVERSITY AVENUE  
SUITE ONE  
DECATUR, ILLINOIS 62526-1343  
ATTN: MR. JAMES MARTY  
217-875-4800

ITEM	AESTHETICS DESIGNER	DESIGN CONSULTANT	COMMENTS
BOLLARDS AND BOLLARD LUMINARIES (FINISH SAMPLES, CALCULATIONS, SHOP DRAWINGS AND MOCKUPS) INCLUDING INSTALL BOLLARD PROCEDURE AND ELLIPTICAL STEEL ANGLES	X		THE GENERAL CONTRACTORS SHALL SUBMIT BOLLARD INSTALLATION METHOD AND PROCEDURE SHOP DRAWINGS FOR APPROVAL IF THEIR PROPOSED INSTALLATION METHOD AND PROCEDURE DEVIATES FROM THE FABRICATOR'S APPROVED METHOD.
PAINT OVER GALVANIZING		X	DESIGN CONSULTANT TO ENSURE THAT THE GENERAL NOTE ON THE SHOP DRAWINGS REFLECT THAT THE CONTRACTOR'S PAINT OVER GALVANIZED PROCESS MEETS THE REQUIREMENTS OF THE CONTRACT.
FORMLINERS (LIMESTONE, FIN & GRID AND PARAPET)	X		
RAILINGS		X	THE SHOP DRAWINGS SHALL BE SENT TO THE DESIGN CONSULTANT WHO PREPARED THE STRUCTURAL PLANS.
SCUPPERS		X	THE SHOP DRAWINGS SHALL BE SENT TO THE DESIGN CONSULTANT WHO PREPARED THE STRUCTURAL PLANS.



REVISIONS	
NAME	DATE

ILLINOIS DEPARTMENT OF TRANSPORTATION

INDEX OF SHEETS,  
HIGHWAY STANDARDS,  
COMMITMENTS AND  
GENERAL NOTES

DATE 01/12/2005

DRAWN BY  
CHECKED BY

01/12/2005 11:32:17 AM  
g:\data\5589-74\dwg\contractor\pckg\ing\10108p-6a.dgn

CONTRACT IS PACKAGING PAGE 10 OF 25 FINAL PLANS 01/17/05

F.A.I. RTE.	SECTION	COUNTY	TOTAL SHEETS	SHEET NO.
74	•	TAZEWELL	1366	11
STA.		TO STA.		
FED. ROAD DIST. NO. 4		ILLINOIS FED. AID PROJECT		

• (90-11)R-2;90(13,14,14-1)R-1

SUMMARY OF QUANTITIES FOR ALL PLAN SETS				URBAN													
				IM						IM							
				90% FED 10% STATE						90% FED 10% STATE							
CODE NO.	PAY ITEM	UNIT	TOTAL QUANTITY	CONSTRUCTION TYPE CODE													
				INTERSTATE ROADWAY 3 LANE (1) J000-2A	INTERSTATE ROADWAY 2 LANE (2) J000-2A	INTERSTATE ROADWAY (2A) I000-2A	ARTERIAL ROADWAY (3) I000-2A	ARTERIAL ROADWAY (4) J000-2A	BRIDGE (5) X281-2A	BRIDGE (6) X581-2A	BRIDGE (7) X271-2A	BRIDGE (8) X971-2A	RETAINING WALL (9) Y007	OVERHEAD SIGNS Y002-1C	LIGHTING Y030-1E	TRAFFIC SIGNALS Y031-1F	
28000300	TEMPORARY DITCH CHECKS	EACH	95	83			1	11									
28000500	INLET AND PIPE PROTECTION	EACH	290	268	22												
50100300	REMOVAL OF EXISTING STRUCTURES NO. 1	EACH	1							1							
50100400	REMOVAL OF EXISTING STRUCTURES NO. 2	EACH	1								1						
50100500	REMOVAL OF EXISTING STRUCTURES NO. 3	EACH	1									1					
50104400	CONCRETE HEADWALL REMOVAL	EACH	33	16	11		5	1									
50104710	REMOVAL OF EXISTING BEARINGS	EACH	10										10				
50104800	REMOVAL OF EXISTING CONCRETE DECK	L SUM	1										1				
50300100	FLOOR DRAINS	EACH	7										7				
50300310	ELASTOMERIC BEARING ASSEMBLY, TYPE I	EACH	12										12				
50300320	ELASTOMERIC BEARING ASSEMBLY, TYPE II	EACH	28									4	24				
50300330	ELASTOMERIC BEARING ASSEMBLY, TYPE III	EACH	4									4					
50500505	STUD SHEAR CONNECTORS	EACH	2478									4292	12334	7232			
50500715	JACK AND REMOVE EXISTING BEARINGS	EACH	30										30				
50600300	CLEANING AND PAINTING STEEL BRIDGE	L SUM	1										1				
50606400	CONTAINMENT AND DISPOSAL OF LEAD PAINT CLEANING RESIDUES	L SUM	1										1				
51500100	NAME PLATES	EACH	7						2	1	1	1	2				
54244805	INLET BOX, STANDARD 542501	EACH	1		1												
54246205	INLET BOX, STANDARD 542526	EACH	1		1												
60100060	CONCRETE HEADWALL FOR PIPE DRAINS	EACH	29	15	12		2										
60240301	INLETS, TYPE B, TYPE 8 GRATE	EACH	1	1													
60240303	INLETS, TYPE B, TYPE 9 FRAME AND GRATE	EACH	3	3													
60240324	INLETS, TYPE B, TYPE 20 FRAME AND GRATE	EACH	2	2													
60241900	INLETS, TYPE G-1, SPECIAL	EACH	61	2			38	21									
60242400	INLETS, SPECIAL	EACH	7		7												
60247132	DRAINAGE STRUCTURES, TYPE 1A WITH ONE TYPE 20 FRAME AND GRATE	EACH	15	15													
60255500	MANHOLES TO BE ADJUSTED	EACH	7					7									
60260100	INLETS TO BE ADJUSTED	EACH	1				1										
60260500	INLETS TO BE ADJUSTED WITH NEW TYPE 3 FRAME AND GRATE	EACH	7					7									
60403400	GRATES, TYPE A	EACH	5		5												
60500040	REMOVING MANHOLES	EACH	2				2										
60500060	REMOVING INLETS	EACH	40	30	9			1									
60500105	FILLING MANHOLES	EACH	2					2									
60500305	FILLING INLETS	EACH	2					2									
60603300	GUTTER OUTLET	EACH	3		3												
60900215	TYPE C INLET BOX, STANDARD 609001	EACH	5	4	1												

- △ SFTY-3N
- SFTY-3C
- Y080
- ∅ NON-PARTICIPATING

- (1) I-74 STA. 152+445.837 TO STA. 153+892.180
- (2) I-74 STA. 153+892.180 TO STA. 154+970.000
- (2A) I-74 EB STA. 154+780.000 TO STA. 157+666.230 & I-74 WB STA. 154+952.000 TO STA. 157+666.230
- (3) MAIN STREET STA. 2+800.000 TO STA. 4+157.000
- (4) MAIN STREET STA. 2+015.141 TO STA. 2+310.000, MAIN STREET STA. 2+402.933 TO STA. 2+800.000, & WASHINGTON STREET STA. 99+730.000 TO STA. 100+210.000
- (5) BRIDGE PLANS SN 090-0160 (SN 090-0006) (WB I-74 OVER MAIN STREET) & BRIDGE PLANS SN 090-0163 (WB I-74 OVER WASHINGTON STREET)

- (6) BRIDGE PLANS SN 090-0159 (SN 090-0005) (WB I-74 OVER ALTORFER LANE AND TP&W RAILROAD)
- (7) BRIDGE PLANS SN 090-0156 (SN 090-0010 EB & SN 090-0011 WB) (RAMP K-2 OVER MAIN STREET AND RAMP J-3)
- (8) BRIDGE PLANS SN 090-0009 (WB I-74 OVER CAMP STREET, FARM CREEK AND TP&W RAILROAD)
- (9) RETAINING WALL SN 090-8512 (ALONG RAMP J-3) RETAINING WALL SN 090-8513 (ALONG RAMP K-2)



REVISIONS	
NAME	DATE

ILLINOIS DEPARTMENT OF TRANSPORTATION

SUMMARY OF QUANTITIES

DATE 02/14/2005

DRAWN BY \_\_\_\_\_

CHECKED BY \_\_\_\_\_

02/14/2005 11:22:49 AM

CONTRACT # 017705

F.A.I. RTE.	SECTION	COUNTY	TOTAL SHEETS	SHEET NO.
74	*	TAZEWELL	1366	12
STA.		TO STA.		
FED. ROAD DIST. NO. 4		ILLINOIS FED. AID PROJECT		

URBAN  
90% FED  
5% STATE  
5% CITY  
TRAFFIC SIGNALS AT BLACKJACK BVD Y031-1F

• (90-111R-2)90(13,14,14-1)R-1

SUMMARY OF QUANTITIES  
FOR ALL PLAN SETS

CODE NO.	PAY ITEM	UNIT	TOTAL QUANTITY	URBAN											
				IM						IM					
				90% FED 10% STATE						90% FED 10% STATE					
				CONSTRUCTION TYPE CODE											
INTERSTATE ROADWAY 3 LANE (1) J000-2A	INTERSTATE ROADWAY 2 LANE (2) J000-2A	INTERSTATE ROADWAY (2A) I000-2A	ARTERIAL ROADWAY (3) I000-2A	ARTERIAL ROADWAY (4) J000-2A	BRIDGE (5) X281-2A	BRIDGE (6) X581-2A	BRIDGE (7) X271-2A	BRIDGE (8) X971-2A	RETAINING WALL (9) Y007	OVERHEAD SIGNS Y002-1C	LIGHTING Y030-1E	TRAFFIC SIGNALS Y031-1F			
60900315	TYPE D INLET BOX, STANDARD 609006	EACH	1	1											
60900515	CONCRETE THRUST BLOCKS	EACH	30	14	16										
61000115	TYPE E INLET BOX, STANDARD 610001	EACH	5	5											
61000225	TYPE F INLET BOX, STANDARD 610001	EACH	1	1											
63100045	TRAFFIC BARRIER TERMINAL, TYPE 2	EACH	5	1	2				2						
63100085	TRAFFIC BARRIER TERMINAL, TYPE 6	EACH	1		1										
63100167	TRAFFIC BARRIER TERMINAL TYPE 1, SPECIAL (TANGENT)	EACH	8		3		5								
63500105	DELINEATORS	EACH	42	42											
66600105	FURNISHING AND ERECTING RIGHT-OF-WAY MARKERS	EACH	10				4	6							
66700205	PERMANENT SURVEY MARKERS, TYPE I	EACH	12				7	1	2	1		1			
67100100	MOBILIZATION	L SUM	1	0.5	0.5										
70101800	TRAFFIC CONTROL AND PROTECTION (SPECIAL)	L SUM	1				0.65	0.3							
70103817	TRAFFIC CONTROL SURVEILLANCE (SPECIAL)	CAL DA	440		440										
72400100	REMOVE SIGN PANEL ASSEMBLY - TYPE A	EACH	17	1	6		5	5							
72400200	REMOVE SIGN PANEL ASSEMBLY - TYPE B	EACH	65	18	13		20	14							
72400500	RELOCATE SIGN PANEL ASSEMBLY - TYPE A	EACH	7		2		1	4							
72400600	RELOCATE SIGN PANEL ASSEMBLY - TYPE B	EACH	4	1	1		1	1							
73600100	REMOVE OVERHEAD SIGN STRUCTURE - SPAN	EACH	2							2					
73600200	REMOVE OVERHEAD SIGN STRUCTURE - CANTILEVER	EACH	1							1					
73602000	REMOVE OVERHEAD SIGN STRUCTURE - BRIDGE MOUNTED	EACH	1							1					
73700100	REMOVE GROUND-MOUNTED SIGN SUPPORT	EACH	23	4	15		4								
73700200	REMOVE CONCRETE FOUNDATION - GROUND MOUNT	EACH	23	4	15		4								
73700300	REMOVE CONCRETE FOUNDATION - OVERHEAD	EACH	5							5					
* 78100100	RAISED REFLECTIVE PAVEMENT MARKER	EACH	977	577	171	229									
78100300	REPLACEMENT REFLECTOR	EACH	79				79								
78200500	BARRIER WALL MARKERS	EACH	117	117											
78201000	TERMINAL MARKER - DIRECT APPLIED	EACH	10	5		5									
78300200	RAISED REFLECTIVE PAVEMENT MARKER REMOVAL	EACH	640			229	290	121							
* 80400100	ELECTRIC SERVICE INSTALLATION	EACH	2								2				
* 80500200	SERVICE INSTALLATION, TYPE B	EACH	1												
* 80500205	SERVICE INSTALLATION, TYPE B (MODIFIED)	EACH	2									2	1		
81400100	HANDHOLE	EACH	1					1							
81400200	HEAVY-DUTY HANDHOLE	EACH	1												
81400400	CONCRETE HANDHOLE	EACH	20									19	17		
81400600	CONCRETE DOUBLE HANDHOLE	EACH	2									2	1		
* 82102400	LUMINAIRE, SODIUM VAPOR, HORIZONTAL MOUNT, 400 WATT	EACH	19								12		7		

- △ SFTY-3N
- SFTY-3C
- Y080
- ∅ NON-PARTICIPATING
- \* SPECIALTY ITEM

- (1) I-74 STA. 152+445.837 TO STA. 153+892.180
- (2) I-74 STA. 153+892.180 TO STA. 154+970.000
- (2A) I-74 EB STA. 154+780.000 TO STA. 157+666.230 & I-74 WB STA. 154+952.000 TO STA. 157+666.230
- (3) MAIN STREET STA. 2+800.000 TO STA. 4+157.000
- (4) MAIN STREET STA. 2+015.141 TO STA. 2+310.000, MAIN STREET STA. 2+402.933 TO STA. 2+800.000, & WASHINGTON STREET STA. 99+730.000 TO STA. 100+210.000
- (5) BRIDGE PLANS SN 090-0160 (SN 090-0006) (WB I-74 OVER MAIN STREET) & BRIDGE PLANS SN 090-0163 (WB I-74 OVER WASHINGTON STREET)

- (6) BRIDGE PLANS SN 090-0159 (SN 090-0005) (WB I-74 OVER ALTORFER LANE AND TP&W RAILROAD)
- (7) BRIDGE PLANS SN 090-0156 (SN 090-0010 EB & SN 090-0011 WB) (RAMP K-2 OVER MAIN STREET AND RAMP J-3)
- (8) BRIDGE PLANS SN 090-0009 (WB I-74 OVER CAMP STREET, FARM CREEK AND TP&W RAILROAD)
- (9) RETAINING WALL SN 090-8512 (ALONG RAMP J-3) RETAINING WALL SN 090-8513 (ALONG RAMP K-2)



REVISIONS	
NAME	DATE

ILLINOIS DEPARTMENT OF TRANSPORTATION

SUMMARY OF QUANTITIES

DATE 02/14/2005

DRAWN BY  
CHECKED BY

02/14/2005 11:22:49 AM  
g:\ddto\5589-74\dwg\contract\packaging\scd\02p-6a.dgn

CONTRACT # PACKAGING PAGE 12 OF 25 FINAL PLANS 01/17/05

F.A.I. RTE.	SECTION	COUNTY	TOTAL SHEETS	SHEET NO.
74		TAZEWELL	1366	13
STA. TO STA.			FED. ROAD DIST. NO. 4 ILLINOIS FED. AID PROJECT	

SUMMARY OF QUANTITIES FOR ALL PLAN SETS				URBAN												
				IM						IM						
				90% FED 10% STATE						90% FED 10% STATE						
				INTERSTATE ROADWAY 3 LANE (1) J000-2A	INTERSTATE ROADWAY 2 LANE (2) J000-2A	INTERSTATE ROADWAY (2A) I000-2A	ARTERIAL ROADWAY (3) I000-2A	ARTERIAL ROADWAY (4) J000-2A	BRIDGE (5) X281-2A	BRIDGE (6) X581-2A	BRIDGE (7) X271-2A	BRIDGE (8) X971-2A	RETAINING WALL (9) Y007	OVERHEAD SIGNS Y002-1C	LIGHTING Y030-1E	TRAFFIC SIGNALS Y031-1F
82500530	LIGHTING CONTROLLER TYPE CB-RCS 100AMP - 240VOLT	EACH	1									1				
82500560	LIGHTING CONTROLLER TYPE CB-RCS 200AMP - 480VOLT	EACH	1									1				
82500605	LIGHTING CONTROLLER PHOTOCELL RELAY	EACH	1									1				
84100110	REMOVAL OF TEMPORARY LIGHTING UNITS	EACH	4									4				
84200500	REMOVAL OF EXISTING LIGHTING UNIT, SALVAGE	EACH	16									16				
84200600	REMOVAL OF EXISTING LIGHTING UNIT, NO SALVAGE	EACH	45									45				
84200800	POLE FOUNDATION, REMOVED	EACH	61									61				
85700200	FULL-ACTUATED CONTROLLER AND TYPE IV CABINET	EACH	2									2				
86301000	TERMINAL FACILITY	EACH	1			1										
86400100	TRANSCEIVER - FIBER OPTIC	EACH	2									2				
88200110	TRAFFIC SIGNAL BACKPLATE, LOUVERED	EACH	20									20				
88800100	PEDESTRIAN PUSH-BUTTON	EACH	2									2				
89000200	TEMPORARY TRAFFIC SIGNAL INSTALLATION	L SUM	2									2				
89502375	REMOVE EXISTING TRAFFIC SIGNAL EQUIPMENT	EACH	1									1				
89502380	REMOVE EXISTING HANDHOLE	EACH	8									5				
89502385	REMOVE EXISTING CONCRETE FOUNDATION	EACH	8									5				
M2010110	TREE REMOVAL (6 TO 15 UNITS DIAMETER)	UNIT	267				214	53								
M2010210	TREE REMOVAL (OVER 15 UNITS DIAMETER)	UNIT	176	94			64	18								
M2010500	TREE REMOVAL, HECTARES	HA	1	0.7			0.25									
M2011000	TEMPORARY FENCE	METER	1703.0	1703												
M2020010	EARTH EXCAVATION	CU M	64865	52185	12680											
M2021200	REMOVAL AND DISPOSAL OF UNSUITABLE MATERIAL	CU M	3460	1105	1790											
M2021400	SUB-BASE GRANULAR MATERIAL, TYPE A	M TON	11751									11751				
M2021500	SUB-BASE GRANULAR MATERIAL, TYPE B	M TON	6512									6512				
M2040800	FURNISHED EXCAVATION	CU M	12165	6135	2995							3034				
M2070220	POROUS GRANULAR EMBANKMENT	CU M	2831						502	360	111		1858			
M2080250	TRENCH BACKFILL, SPECIAL	CU M	2104	281	1596			175			52					
M2101000	GEOTECHNICAL FABRIC FOR GROUND STABILIZATION	SQ M	39015	25607	13408											
M2113100	TOPSOIL FURNISH AND PLACE, 100MM	SQ M	48636.0	23595.0	1757.0							23284.0				
M2500110	SEEDING, CLASS 1A	HA	4.0	3.9								0.1				
M2500210	SEEDING, CLASS 2A	HA	2.6		2.6											
M2500312	SEEDING, CLASS 4A	HA	3.1	3.1												
M2500322	SEEDING, CLASS 5A	HA	0.4	0.4												
M2500400	NITROGEN FERTILIZER NUTRIENT	KG	644.0	377.0	260.0							7.0				
M2500500	PHOSPHORUS FERTILIZER NUTRIENT	KG	644	377	260							7				
M2500600	POTASSIUM FERTILIZER NUTRIENT	KG	644	377	260							7				

URBAN  
 90% FED  
 10% STATE  
 90% CITY  
 TRAFFIC SIGNALS  
 AT BLACKJACK BLVD  
 Y031-1F

02/14/2005 11:22:50 AM  
 c:\adot\5589-14\dwg\cont\cotill\packg\q\sgl\03p-5a.dgn

△ SFTY-3N  
 □ SFTY-3C  
 ○ Y080  
 ⊙ NON-PARTICIPATING  
 \* SPECIALTY ITEM

- (1) I-74 STA. 152+445.837 TO STA. 153+892.180
- (2) I-74 STA. 153+892.180 TO STA. 154+970.000
- (2A) I-74 EB STA. 154+780.000 TO STA. 157+666.230 & I-74 WB STA. 154+952.000 TO STA. 157+666.230
- (3) MAIN STREET STA. 2+800.000 TO STA. 4+157.000
- (4) MAIN STREET STA. 2+015.141 TO STA. 2+310.000, MAIN STREET STA. 2+402.933 TO STA. 2+800.000, & WASHINGTON STREET STA. 99+730.000 TO STA. 100+210.000
- (5) BRIDGE PLANS SN 090-0160 (SN 090-0006) (WB I-74 OVER MAIN STREET) & BRIDGE PLANS SN 090-0163 (WB I-74 OVER WASHINGTON STREET)

- (6) BRIDGE PLANS SN 090-0159 (SN 090-0005) (WB I-74 OVER ALTORFER LANE AND TP&W RAILROAD)
- (7) BRIDGE PLANS SN 090-0156 (SN 090-0010 EB & SN 090-0011 WB) (RAMP K-2 OVER MAIN STREET AND RAMP J-3)
- (8) BRIDGE PLANS SN 090-0009 (WB I-74 OVER CAMP STREET, FARM CREEK AND TP&W RAILROAD)
- (9) RETAINING WALL SN 090-8512 (ALONG RAMP J-3) RETAINING WALL SN 090-8513 (ALONG RAMP K-2)



REVISIONS	
NAME	DATE

ILLINOIS DEPARTMENT OF TRANSPORTATION

SUMMARY OF QUANTITIES

DATE 02/14/2005

DRAWN BY \_\_\_\_\_

CHECKED BY \_\_\_\_\_

F.A.I. RTE.	SECTION	COUNTY	TOTAL SHEETS	SHEET NO.
74	*	TAZEWELL	1366	14
STA.		TO STA.		
FED. ROAD DIST. NO. 4		ILLINOIS FED. AID PROJECT		

\* (90-11)R-2,90113,14,14-1R-1

SUMMARY OF QUANTITIES FOR ALL PLAN SETS				URBAN													
				IM							IM						
				90% FED 10% STATE							90% FED 10% STATE						
				CONSTRUCTION TYPE CODE													
CODE NO.	PAY ITEM	UNIT	TOTAL QUANTITY	INTERSTATE ROADWAY 3 LANE (1) J000-2A	INTERSTATE ROADWAY 2 LANE (2) J000-2A	INTERSTATE ROADWAY (2A) I000-2A	ARTERIAL ROADWAY (3) I000-2A	ARTERIAL ROADWAY (4) J000-2A	BRIDGE (5) X281-2A	BRIDGE (6) X581-2A	BRIDGE (7) X271-2A	BRIDGE (8) X971-2A	RETAINING WALL (9) Y007	OVERHEAD SIGNS Y002-1C	LIGHTING Y030-1E	TRAFFIC SIGNALS Y031-1F	
* M2500700	AGRICULTURAL GROUND LIMESTONE	M TON	33	21	11.7			0.3									
* M2510120	MULCH, METHOD 2	M TON	4.0	4.0													
* M2510130	MULCH, METHOD 3	M TON	11.7		11.7												
M2510630	EROSION CONTROL BLANKET	SQ M	39120.0	39120.0													
M2800250	TEMPORARY EROSION CONTROL SEEDING	KG	12713	12713													
M2800400	PERIMETER EROSION BARRIER	METER	6195	5303	481			411									
M2810707	STONE DUMPED RIPRAP, CLASS A4	SQ M	551	551													
M2820100	FILTER FABRIC FOR USE WITH RIPRAP	SQ M	2201	551	1650												
M2850300	ARTICULATED BLOCK MAT	SQ M	2012	362	1650												
M3113100	SUB-BASE GRANULAR MATERIAL (SPECIAL)	CU M	557					557									
M3511100	AGGREGATE BASE COURSE, TYPE B 100MM	SQ M	520	520													
M3530250	PORTLAND CEMENT CONCRETE BASE COURSE 250MM	SQ M	10055				10055										
M3530300	PORTLAND CEMENT CONCRETE BASE COURSE 300MM	SQ M	92					92									
M3540250	PORTLAND CEMENT CONCRETE BASE COURSE WIDENING 250MM	SQ M	525				525										
M3540300	PORTLAND CEMENT CONCRETE BASE COURSE WIDENING 300MM	SQ M	181					180.86									
M4060085	PORTLAND CEMENT CONCRETE SURFACE REMOVAL - BUTT JOINT	SQ M	137				137										
M4060200	BITUMINOUS MATERIALS (PRIME COAT)	M TON	93	43.8	5.8	25.6	17.7										
M4060300	AGGREGATE (PRIME COAT)	M TON	248			135.9	112										
M4060980	BITUMINOUS SURFACE REMOVAL - BUTT JOINT	SQ M	418		216		202										
M4060990	TEMPORARY RAMP	SQ M	284			284											
M4080400	INCIDENTAL BITUMINOUS SURFACING	M TON	3					3									
M4202255	PORTLAND CEMENT CONCRETE PAVEMENT 250MM (JOINTED)	SQ M	22582	4650	5344			12588									
M4205000	BRIDGE APPROACH PAVEMENT	SQ M	727	727													
M4205050	BRIDGE APPROACH PAVEMENT (SPECIAL)	SQ M	586	439	147												
M4205200	PROTECTIVE COAT	SQ M	91358	29768	43253		2757	15580									
M4210290	CONTINUOUSLY REINFORCED PORTLAND CEMENT CONCRETE PAVEMENT 290MM	SQ M	18305	10820	7485												
M4214290	PAVEMENT REINFORCEMENT 290MM	SQ M	18305	10820	7485												
M4217072	LUG SYSTEM COMPLETE 7.2 METER	EACH	2		2												
M4230200	PORTLAND CEMENT CONCRETE DRIVEWAY PAVEMENT, 200MM	SQ M	286				99	187									
M4240100	PORTLAND CEMENT CONCRETE SIDEWALK 100MM	SQ M	137	55				82									
M4400025	BITUMINOUS SURFACE REMOVAL 25MM	SQ M	24929				24929										
M4400040	BITUMINOUS SURFACE REMOVAL 40MM	SQ M	39807			39807											
M4400050	BITUMINOUS SURFACE REMOVAL 50MM	SQ M	21					21									
M4400075	BITUMINOUS SURFACE REMOVAL 75MM	SQ M	1754.0		1754.0												
M4401000	BITUMINOUS SURFACE REMOVAL (VARIABLE DEPTH)	SQ M	9383			3625		5757.72									
M4402000	PAVEMENT REMOVAL	SQ M	25777	12288	12340			1149.08									

- △ SFTY-3N
- SFTY-3C
- Y080
- ∅ NON-PARTICIPATING
- \* SPECIALTY ITEM

- (1) I-74 STA. 152+445.837 TO STA. 153+892.180
- (2) I-74 STA. 153+892.180 TO STA. 154+970.000
- (2A) I-74 EB STA. 154+780.000 TO STA. 157+666.230 & I-74 WB STA. 154+952.000 TO STA. 157+666.230
- (3) MAIN STREET STA. 2+800.000 TO STA. 4+157.000
- (4) MAIN STREET STA. 2+015.141 TO STA. 2+310.000, MAIN STREET STA. 2+402.933 TO STA. 2+800.000, & WASHINGTON STREET STA. 99+730.000 TO STA. 100+210.000
- (5) BRIDGE PLANS SN 090-0160 (SN 090-0006) (WB I-74 OVER MAIN STREET) & BRIDGE PLANS SN 090-0163 (WB I-74 OVER WASHINGTON STREET)

- (6) BRIDGE PLANS SN 090-0159 (SN 090-0005) (WB I-74 OVER ALTORFER LANE AND TP&W RAILROAD)
- (7) BRIDGE PLANS SN 090-0156 (SN 090-0010 EB & SN 090-0011 WB) (RAMP K-2 OVER MAIN STREET AND RAMP J-3)
- (8) BRIDGE PLANS SN 090-0009 (WB I-74 OVER CAMP STREET, FARM CREEK AND TP&W RAILROAD)
- (9) RETAINING WALL SN 090-8512 (ALONG RAMP J-3) RETAINING WALL SN 090-8513 (ALONG RAMP K-2)



REVISIONS	
NAME	DATE

ILLINOIS DEPARTMENT OF TRANSPORTATION

SUMMARY OF QUANTITIES

DATE 02/14/2005

DRAWN BY

CHECKED BY

02/14/2005 11:22:50 AM

CONTRACT IN PACKAGING PAGE 14 OF 25 FINAL PLANS 01/17/05

F.A.I. RTE.	SECTION	COUNTY	TOTAL SHEETS	SHEET NO.
74	*	TAZEWELL	1366	15
STA.		TO STA.		
FED. ROAD DIST. NO. 4		ILLINOIS FED. AID PROJECT		

• (90-11)R-2;90(13,14,14-1)R-1

SUMMARY OF QUANTITIES FOR ALL PLAN SETS				URBAN													
				IM							IM						
				90% FED 10% STATE							90% FED 10% STATE						
				CONSTRUCTION TYPE CODE													
CODE NO.	PAY ITEM	UNIT	TOTAL QUANTITY	INTERSTATE ROADWAY 3 LANE (1) J000-2A	INTERSTATE ROADWAY 2 LANE (2) J000-2A	INTERSTATE ROADWAY (2A) I000-2A	ARTERIAL ROADWAY (3) I000-2A	ARTERIAL ROADWAY (4) J000-2A	BRIDGE (5) X281-2A	BRIDGE (6) X581-2A	BRIDGE (7) X271-2A	BRIDGE (8) X971-2A	RETAINING WALL (9) Y007	OVERHEAD SIGNS Y002-1C	LIGHTING Y030-1E	TRAFFIC SIGNALS Y031-1F	
M4402020	CURB REMOVAL	METER	300	300													
M4402040	COMBINATION CURB AND GUTTER REMOVAL	METER	1502	119	363			1020									
M4402050	SIDEWALK REMOVAL	SQ M	46					45.65									
M4402200	BITUMINOUS MEDIAN SURFACE REMOVAL	SQ M	362					362.37									
M4402280	CONCRETE BARRIER REMOVAL	METER	67	67													
M4402530	PAVED SHOULDER REMOVAL	SQ M	14809	7998	6811												
M4402600	PORTLAND CEMENT CONCRETE SHOULDER REMOVAL	SQ M	342		342												
M4405000	PAVED DITCH REMOVAL	METER	1237	480	757												
M4426225	CLASS B PATCHES, TYPE II, 250MM	SQ M	709				709										
M4426250	CLASS B PATCHES, TYPE II, 375MM	SQ M	1491			1122		369.4									
M4426450	CLASS B PATCHES, TYPE IV, 375MM	SQ M	113	113													
M4429400	SAW CUTS	METER	3215	71	2359	785											
M4430020	STRIP REFLECTIVE CRACK CONTROL TREATMENT	METER	5768				5528	239.9									
M4812000	AGGREGATE SHOULDERS, TYPE B	M TON	3231	660	1364	1207											
M4820000	BITUMINOUS SHOULDERS	M TON	3289			3289											
M4820200	BITUMINOUS SHOULDERS 200MM	SQ M	514	514													
M4820250	BITUMINOUS SHOULDERS 250MM	SQ M	570		570												
M4830250	PORTLAND CEMENT CONCRETE SHOULDERS - 250MM	SQ M	7617	4040	3422		155										
M4830290	PORTLAND CEMENT CONCRETE SHOULDERS - 290MM	SQ M	8312	3545	4767												
M5010240	CONCRETE REMOVAL	CU M	122									122.2					
M5010465	SLOPE WALL REMOVAL	SQ M	306									306					
M5010522	PIPE CULVERT REMOVAL	METER	260	213		17	30										
M5020100	STRUCTURE EXCAVATION	CU M	2552					584	378	199	568	823					
M5020400	ROCK EXCAVATION FOR STRUCTURES	CU M	22.3								8.0		6.6	7.7			
M5030030	PREFORMED JOINT SEAL 64MM	METER	59						58.5								
M5030105	NEOPRENE EXPANSION JOINT 50MM	METER	80								80						
M5030300	CLASS MS CONCRETE	CU M	41		41												
M5030350	CONCRETE STRUCTURES	CU M	2615					584	378	262	568	823					
M5030360	CONCRETE SUPERSTRUCTURE	CU M	2335.8					498.5	436.9	538.9	861.5						
M5030390	BRIDGE DECK GROOVING	SQ M	8544.0					1750.0	1457.0	1538.0	3799.0						
M5030450	PROTECTIVE COAT	SQ M	10666.0					2043.0	1624.0	2212.0	4787.0						
M5030710	FORMED CONCRETE REPAIR (DEPTH EQUAL TO OR LESS THAN 125MM)	SQ M	4.0								4.0						
M5041219	FURNISHING AND ERECTING PRECAST PRESTRESSED CONCRETE I-BEAMS, 1219MM	METER	695.5						695.5								
M5041372	FURNISHING AND ERECTING PRECAST PRESTRESSED CONCRETE I-BEAMS, 1372MM	METER	352					352									
M5050105	FURNISHING AND ERECTING STRUCTURAL STEEL	L SUM	1							0.7	0.3						
M5050405	FURNISHING AND ERECTING STRUCTURAL STEEL	KG	3290.0									3290.0					

- △ SFTY-3N
- SFTY-3C
- Y080
- ∅ NON-PARTICIPATING

- (1) I-74 STA. 152+445.837 TO STA. 153+892.180
- (2) I-74 STA. 153+892.180 TO STA. 154+970.000
- (2A) I-74 EB STA. 154+780.000 TO STA. 157+666.230 & I-74 WB STA. 154+952.000 TO STA. 157+666.230
- (3) MAIN STREET STA. 2+800.000 TO STA. 4+157.000
- (4) MAIN STREET STA. 2+015.141 TO STA. 2+310.000, MAIN STREET STA. 2+402.933 TO STA. 2+800.000, & WASHINGTON STREET STA. 99+730.000 TO STA. 100+210.000
- (5) BRIDGE PLANS SN 090-0160 (SN 090-0006) (WB I-74 OVER MAIN STREET) & BRIDGE PLANS SN 090-0163 (WB I-74 OVER WASHINGTON STREET)

- (6) BRIDGE PLANS SN 090-0159 (SN 090-0005) (WB I-74 OVER ALTORFER LANE AND TP&W RAILROAD)
- (7) BRIDGE PLANS SN 090-0156 (SN 090-0015) (WB I-74 OVER RAMP K-2 OVER MAIN STREET AND RAMP J-3)
- (8) BRIDGE PLANS SN 090-0009 (WB I-74 OVER CAMP STREET, FARM CREEK AND TP&W RAILROAD)
- (9) RETAINING WALL SN 090-8512 (ALONG RAMP J-3) RETAINING WALL SN 090-8513 (ALONG RAMP K-2)



REVISIONS	
NAME	DATE

ILLINOIS DEPARTMENT OF TRANSPORTATION

SUMMARY OF QUANTITIES

DATE 02/14/2005

DRAWN BY

CHECKED BY

02/14/2005 11:22:51 AM

CONTRACT # 090-11(13,14,14-1)R-1 PAGE 15 OF 25 FINAL PLANS 01/17/05

F.A.I. RTE.	SECTION	COUNTY	TOTAL SHEETS	SHEET NO.
74	*	TAZEWELL	1366	16
STA.		TO STA.		
FED. ROAD DIST. NO. 4		ILLINOIS FED. AID PROJECT		

\* 190-111R-2:90(13,14,14-1R-1

SUMMARY OF QUANTITIES FOR ALL PLAN SETS				URBAN												
				IM						IM						
				90% FED 10% STATE						90% FED 10% STATE						
				CONSTRUCTION TYPE CODE												
CODE NO.	PAY ITEM	UNIT	TOTAL QUANTITY	INTERSTATE ROADWAY 3 LANE (1) J000-2A	INTERSTATE ROADWAY 2 LANE (2) J000-2A	INTERSTATE ROADWAY (2A) I000-2A	ARTERIAL ROADWAY (3) I000-2A	ARTERIAL ROADWAY (4) J000-2A	BRIDGE (5) X281-2A	BRIDGE (6) X581-2A	BRIDGE (7) X271-2A	BRIDGE (8) X971-2A	RETAINING WALL (9) Y007	OVERHEAD SIGNS Y002-1C	LIGHTING Y030-1E	TRAFFIC SIGNALS Y031-1F
M5050410	STRUCTURAL STEEL REMOVAL	KG	1540.0									1540.0				
* M5070207	TREATED TIMBER LAGGING	SQ M	23.0										23.0			
* M5070209	UNTREATED TIMBER LAGGING	SQ M	1371										1371			
M5070213	FURNISHING SOLDIER PILES (BUILT-UP SECTION)	METER	1160										1160.4			
M5070215	FURNISHING SOLDIER PILES (W SECTION)	METER	233										233.3			
M5080105	REINFORCEMENT BARS	KG	2140	470	1220		80	370								
M5080205	REINFORCEMENT BARS, EPOXY COATED	KG	538840		3790				85170	74290	127230	158600	89760			
M5110100	SLOPE WALL 100 MM	SQ M	2965.0						1108.0	1064.0	311.0	482.0				
M5110200	SLOPE WALL 150 MM	SQ M	107.0									107.0				
M5120160	FURNISHING STEEL PILES HP310X79	METER	132									132				
M5120166	FURNISHING STEEL PILES HP310X94	METER	292						292							
M5120170	FURNISHING STEEL PILES HP310X110	METER	504						504							
M5120175	FURNISHING STEEL PILES HP310X125	METER	604							603.5						
M5120180	FURNISHING STEEL PILES HP360X108	METER	524.5									524.5				
M5120190	FURNISHING STEEL PILES HP360X132	METER	186.0								186.0					
M5120210	FURNISHING STEEL PILES HP360X174	METER	627.0							627.0						
M5120315	DRIVING STEEL PILES	METER	2868.5						796.0	1230.0	186.0	656.5				
M5120460	TEST PILE STEEL HP310X79	EACH	2.0									2.0				
M5120475	TEST PILE STEEL HP310X125	EACH	1.0							1.0						
M5120480	TEST PILE STEEL HP360X108	EACH	1.0									1.0				
M5120490	TEST PILE STEEL HP360X132	EACH	2.0									2.0				
M5120510	TEST PILE STEEL HP360X174	EACH	1							1						
M542E112	PRECAST REINFORCED CONCRETE FLARED END SECTIONS 300MM	EACH	25				16	9								
M542E120	PRECAST REINFORCED CONCRETE FLARED END SECTIONS 450MM	EACH	3				2	1								
M542E128	PRECAST REINFORCED CONCRETE FLARED END SECTIONS 600MM	EACH	7	2	1		4									
M542E136	PRECAST REINFORCED CONCRETE FLARED END SECTIONS 750MM	EACH	4				3	1								
M542E536	PRECAST REINFORCED CONCRETE FLARED END SECTIONS, EQUIVALENT ROUND-SIZE 750MM	EACH	1					1								
M542E628	PRECAST REINFORCED CONCRETE FLARED END SECTIONS - ELLIPTICAL, EQUIVALENT ROUND-SIZ	EACH	1		1											
M542F012	METAL END SECTIONS 300MM	EACH	12	12												
M542I055	PIPE CULVERTS, CLASS A, TYPE 2 900MM	METER	29	29												
M542U425	PIPE CULVERTS, CLASS D, TYPE 2 450MM (TEMPORARY)	METER	4	4												
M5422120	PIPE CULVERTS, TYPE 1, REINFORCED CONCRETE - ARCH, EQUIVALENT ROUND-SIZE 600MM	METER	39		39											
M5429910	CONCRETE COLLAR	CU M	4				2.4	1.1								
M5500030	STORM SEWERS, CLASS A, TYPE 1 300MM	METER	396.0	9.0			186.0	201.0								
M5500050	STORM SEWERS, CLASS A, TYPE 1 450MM	METER	107.0				103.0	4.0								
M5500065	STORM SEWERS, CLASS A, TYPE 1 600MM	METER	23.5				23.5									

Δ SFTY-3N  
 □ SFTY-3C  
 ○ Y080  
 ⊕ NON-PARTICIPATING  
 \* SPECIALTY ITEM

- (1) I-74 STA. 152+445.837 TO STA. 153+892.180
- (2) I-74 STA. 153+892.180 TO STA. 154+970.000
- (2A) I-74 EB STA. 154+780.000 TO STA. 157+666.230 & I-74 WB STA. 154+952.000 TO STA. 157+666.230
- (3) MAIN STREET STA. 2+800.000 TO STA. 4+157.000
- (4) MAIN STREET STA. 2+015.141 TO STA. 2+310.000, MAIN STREET STA. 2+402.933 TO STA. 2+800.000, & WASHINGTON STREET STA. 99+730.000 TO STA. 100+210.000
- (5) BRIDGE PLANS SN 090-0160 (SN 090-0006) (WB I-74 OVER MAIN STREET) & BRIDGE PLANS SN 090-0163 (WB I-74 OVER WASHINGTON STREET)

- (6) BRIDGE PLANS SN 090-0159 (SN 090-0005) (WB I-74 OVER ALTORFER LANE AND TP&W RAILROAD)
- (7) BRIDGE PLANS SN 090-0156 (SN 090-0010 EB & SN 090-0011 WB) (RAMP K-2 OVER MAIN STREET AND RAMP J-3)
- (8) BRIDGE PLANS SN 090-0009 (WB I-74 OVER CAMP STREET, FARM CREEK AND TP&W RAILROAD)
- (9) RETAINING WALL SN 090-8512 (ALONG RAMP J-3) RETAINING WALL SN 090-8513 (ALONG RAMP K-2)



REVISIONS	
NAME	DATE

ILLINOIS DEPARTMENT OF TRANSPORTATION

SUMMARY OF QUANTITIES

DATE 02/14/2005

DRAWN BY  
CHECKED BY

02/14/2005 11:22:51 AM  
 q:\data\5589-74\dwg\contract\packaging\eq106p-6a.dgn

CONTRACT IN PACKAGING PAGE 16 OF 25 FINAL PLANS 01/17/05



F.A.I. RTE.	SECTION	COUNTY	TOTAL SHEETS	SHEET NO.
74	*	TAZEWELL	1366	17
STA.		TO STA.		
FED. ROAD DIST. NO. 4		ILLINOIS FED. AID PROJECT		

\* (90-111R-2)9013,14,14-1R-1

SUMMARY OF QUANTITIES FOR ALL PLAN SETS				URBAN												
				IM						IM						
				90% FED 10% STATE						90% FED 10% STATE						
				CONSTRUCTION TYPE CODE												
CODE NO.	PAY ITEM	UNIT	TOTAL QUANTITY	INTERSTATE ROADWAY 3 LANE (1) J000-2A	INTERSTATE ROADWAY 2 LANE (2) J000-2A	INTERSTATE ROADWAY (2A) I000-2A	ARTERIAL ROADWAY (3) I000-2A	ARTERIAL ROADWAY (4) J000-2A	BRIDGE (5) X281-2A	BRIDGE (6) X581-2A	BRIDGE (7) X211-2A	BRIDGE (8) X971-2A	RETAINING WALL (9) Y007	OVERHEAD SIGNS Y002-1C	LIGHTING Y030-1E	TRAFFIC SIGNALS Y031-1F
M5500070	STORM SEWERS, CLASS A, TYPE 1 675MM	METER	6.0				6.0									
M5500075	STORM SEWERS, CLASS A, TYPE 1 750MM	METER	77.0	63.5			3.0	10.5								
M5500430	STORM SEWERS, CLASS A, TYPE 2 300MM	METER	364.0	104.0			260.0									
M5500450	STORM SEWERS, CLASS A, TYPE 2 450MM	METER	189.5				162.5	27.0								
M5500465	STORM SEWERS, CLASS A, TYPE 2 600MM	METER	1056.0	511.5	408.5		136.0									
M5500475	STORM SEWERS, CLASS A, TYPE 2 750MM	METER	128.0				124.0	4.0								
M5500485	STORM SEWERS, CLASS A, TYPE 2 900MM	METER	38.5		38.5											
M5500495	STORM SEWERS, CLASS A, TYPE 2 1050MM	METER	15.0		15.0											
M5500515	STORM SEWERS, CLASS A, TYPE 2 1650MM	METER	45.5		45.5											
M5500830	STORM SEWERS, CLASS A, TYPE 3 300MM	METER	64.5				64.5									
M5500865	STORM SEWERS, CLASS A, TYPE 3 600MM	METER	42.5	42.5												
M5500875	STORM SEWERS, CLASS A, TYPE 3 750MM	METER	161.0		161.0											
M5501230	STORM SEWERS, CLASS A, TYPE 4 300MM	METER	17.5				17.5									
M5501275	STORM SEWERS, CLASS A, TYPE 4 750MM	METER	16.5				16.5									
M5510025	STORM SEWER REMOVAL 300MM	METER	20.5		11.0			9.5								
M5510035	STORM SEWER REMOVAL 375MM	METER	31.0		31.0											
M5510040	STORM SEWER REMOVAL 400MM	METER	46.0	46.0												
M5510060	STORM SEWER REMOVAL 600MM	METER	45.5	37.0			8.5									
M5510070	STORM SEWER REMOVAL 750MM	METER	42		39			2.5								
M5510080	STORM SEWER REMOVAL 900MM	METER	7				6.5									
M5510105	STORM SEWER REMOVAL 1500MM	METER	1		1											
M5510110	STORM SEWER REMOVAL 1650MM	METER	2		2											
M5870020	BRIDGE SEAT SEALER	SQ M	115								42	73				
M5900100	EPOXY CRACK SEALING	METER	34									34				
M5910100	GEOCOMPOSITE WALL DRAIN	SQ M	781										781			
M6010080	FRENCH DRAINS	CU M	29										29			
M6010125	PIPE DRAINS 300MM	METER	256	218.5	37											
M6010130	PIPE DRAINS 375MM	METER	11		10.5											
M6010135	PIPE DRAINS 450MM	METER	122		122											
M6010605	PIPE UNDERDRAINS 100MM	METER	3433	973	2459.5											
M6010610	PIPE UNDERDRAINS 150MM	METER	153.0		128.5		24.5									
M6010705	PIPE UNDERDRAINS 100MM (SPECIAL)	METER	1502.0	1435.0	67.0											
M6010710	PIPE UNDERDRAINS 150MM (SPECIAL)	METER	2.0		2.0											
M6021405	MANHOLES, TYPE A, 1.2M DIAMETER, TYPE 1 FRAME, OPEN LID	EACH	3.0		2.0		1.0									
M6021410	MANHOLES, TYPE A, 1.2M DIAMETER, TYPE 1 FRAME, CLOSED LID	EACH	21.0	1.0	3.0		14.0	3.0								
M6021445	MANHOLES, TYPE A, 1.2M DIAMETER, TYPE 9 FRAME AND GRATE	EACH	2.0	2.0												

- △ SFTY-3N
- SFTY-3C
- Y080
- NON-PARTICIPATING

- (1) I-74 STA. 152+445.837 TO STA. 153+892.180
- (2) I-74 STA. 153+892.180 TO STA. 154+970.000
- (2A) I-74 EB STA. 154+780.000 TO STA. 157+666.230 & I-74 WB STA. 154+952.000 TO STA. 157+666.230
- (3) MAIN STREET STA. 2+800.000 TO STA. 4+157.000
- (4) MAIN STREET STA. 2+015.141 TO STA. 2+310.000, MAIN STREET STA. 2+402.933 TO STA. 2+800.000, & WASHINGTON STREET STA. 99+730.000 TO STA. 100+210.000
- (5) BRIDGE PLANS SN 090-0160 (SN 090-0006) (WB I-74 OVER MAIN STREET) & BRIDGE PLANS SN 090-0163 (WB I-74 OVER WASHINGTON STREET)

- (6) BRIDGE PLANS SN 090-0159 (SN 090-0005) (WB I-74 OVER ALTORFER LANE AND TP&W RAILROAD)
- (7) BRIDGE PLANS SN 090-0156 (SN 090-0010 EB & SN 090-0011 WB) (RAMP K-2 OVER MAIN STREET AND RAMP J-3)
- (8) BRIDGE PLANS SN 090-0009 (WB I-74 OVER CAMP STREET, FARM CREEK AND TP&W RAILROAD)
- (9) RETAINING WALL SN 090-8512 (ALONG RAMP J-3) RETAINING WALL SN 090-8513 (ALONG RAMP K-2)



REVISIONS	
NAME	DATE

ILLINOIS DEPARTMENT OF TRANSPORTATION

SUMMARY OF QUANTITIES

DATE 02/14/2005

DRAWN BY  
CHECKED BY

02/14/2005 11:22:52 AM  
91:\data\5589-74\dwg\contract\packaging\eq107d-6a.dgn

CONTRACT IN PACKAGING PAGE 17 OF 25 FINAL PLANS 01/17/05

F.A.I. RTE.	SECTION	COUNTY	TOTAL SHEETS	SHEET NO.
74	*	TAZEWELL	1366	18
STA.		TO STA.		
FED. ROAD DIST. NO. 4		ILLINOIS FED. AID PROJECT		

\* (90-111R-2)90(13,14,14-1)R-1

SUMMARY OF QUANTITIES FOR ALL PLAN SETS				URBAN												
				IM						IM						
				90% FED 10% STATE						90% FED 10% STATE						
				CONSTRUCTION TYPE CODE												
CODE NO.	PAY ITEM	UNIT	TOTAL QUANTITY	INTERSTATE ROADWAY 3 LANE (1) J000-2A	INTERSTATE ROADWAY 2 LANE (2) J000-2A	INTERSTATE ROADWAY (2A) I000-2A	ARTERIAL ROADWAY (3) I000-2A	ARTERIAL ROADWAY (4) J000-2A	BRIDGE (5) X281-2A	BRIDGE (6) X581-2A	BRIDGE (7) X271-2A	BRIDGE (8) X971-2A	RETAINING WALL (9) Y007	OVERHEAD SIGNS Y002-1C	LIGHTING Y030-1E	TRAFFIC SIGNALS Y031-1F
M6021485	MANHOLES, TYPE A, 1.2M DIAMETER, TYPE 37 GRATE	EACH	6.0		5.0		1.0									
M6021610	MANHOLES, TYPE A, 1.5M DIAMETER, TYPE 1 FRAME, CLOSED LID	EACH	12				11	1								
M6021805	MANHOLES, TYPE A, 1.8M DIAMETER, TYPE 1 FRAME, OPEN LID	EACH	2	2												
M6021810	MANHOLES, TYPE A, 1.8M DIAMETER, TYPE 1 FRAME, CLOSED LID	EACH	2	1	1											
M6021845	MANHOLES, TYPE A, 1.8M DIAMETER, TYPE 9 FRAME AND GRATE	EACH	1	1												
M6023005	MANHOLES, SPECIAL, 1.2M DIAMETER	EACH	1		1											
M6060010	CLASS SI CONCRETE (OUTLET)	CU M	28	2.7	17.2		1	6.6								
M6060260	CONCRETE GUTTER, TYPE A	METER	181	139.6				41								
M6060270	CONCRETE GUTTER, TYPE A (MODIFIED)	METER	843	499.7	342.8											
M6060500	COMBINATION CONCRETE CURB AND GUTTER, TYPE B-15.30	METER	871	84	50.2		368	368.84								
M6060600	COMBINATION CONCRETE CURB AND GUTTER, TYPE B-15.45	METER	33.0	33.0												
M6060700	COMBINATION CONCRETE CURB AND GUTTER, TYPE B-15.60	METER	4381.0		88.0		2888.0	1405.0								
M6062100	COMBINATION CONCRETE CURB AND GUTTER, TYPE M-15.15	METER	22.7		12.7		10.0									
M6062400	COMBINATION CONCRETE CURB AND GUTTER, TYPE M-15.60	METER	18.2		7.2		11.0									
M6063600	CONCRETE MEDIAN SURFACE, 100MM	SQ M	2133.3		23.0		17.0	2093.3								
M6064100	CONCRETE MEDIAN, TYPE SB-15.30	SQ M	374.0					374.0								
M6064800	CONCRETE MEDIAN, TYPE SM	SQ M	12.0				12.0									
M6066000	CORRUGATED MEDIAN	SQ M	57.1		6.0			51.1								
M6300100	STEEL PLATE BEAM GUARD RAIL, TYPE A	METER	259	11.43	198.12		49.53									
M6320030	GUARDRAIL REMOVAL	METER	1283	703	284	57	42	197								
M6330610	REMOVE AND RE-ERECT STEEL PLATE BEAM GUARD RAIL	METER	1291		1291											
M6370120	CONCRETE BARRIER, DOUBLE FACE (MODIFIED)	METER	566	566												
M6370140	CONCRETE BARRIER, SINGLE FACE (MODIFIED)	METER	1372.00	1372.00												
M6420015	SHOULDER RUMBLE STRIP	METER	19080	2940	2937.325	13202.2										
M6640100	CHAIN LINK FENCE, 1.2 METER	METER	192.00	192.00												
M6640120	CHAIN LINK FENCE, 1.8 METER	METER	29		28.5											
M6640650	CHAIN LINK GATES, 1.8M X 2.4M SINGLE	EACH	1		1											
M6641920	CHAIN LINK FENCE REMOVAL	METER	165	165												
M6641930	CHAIN LINK FENCE TO BE REMOVED AND RE-ERECTED	METER	187.0		187.0											
M7030100	SHORT- TERM PAVEMENT MARKING	METER	24194.9	20993.0		2849.0		352.9								
M7030220	TEMPORARY PAVEMENT MARKING - LINE 100MM	METER	12568		1367	11201										
M7030240	TEMPORARY PAVEMENT MARKING - LINE 150MM	METER	1400			1400										
M7030250	TEMPORARY PAVEMENT MARKING - LINE 200MM	METER	527			527										
* M7030510	PAVEMENT MARKING TAPE, TYPE III - LETTERS AND SYMBOLS	SQ M	98	98												
* M7030520	PAVEMENT MARKING TAPE, TYPE III 100MM	METER	29947	25993	3954											
* M7030540	PAVEMENT MARKING TAPE, TYPE III 150MM	METER	749	749												

- △ SFTY-3N
- SFTY-3C
- Y080
- ⊙ NON-PARTICIPATING
- \* SPECIALTY ITEM

- (1) I-74 STA. 152+445.837 TO STA. 153+892.180
- (2) I-74 STA. 153+392.180 TO STA. 154+970.000
- (2A) I-74 EB STA. 154+780.000 TO STA. 157+666.230 & I-74 WB STA. 154+952.000 TO STA. 157+666.230
- (3) MAIN STREET STA. 2+800.000 TO STA. 4+157.000
- (4) MAIN STREET STA. 2+015.141 TO STA. 2+310.000, MAIN STREET STA. 2+402.933 TO STA. 2+800.000, & WASHINGTON STREET STA. 99+730.000 TO STA. 100+210.000
- (5) BRIDGE PLANS SN 090-0160 (SN 090-0006) (WB I-74 OVER MAIN STREET) & BRIDGE PLANS SN 090-0163 (WB I-74 OVER WASHINGTON STREET)

- (6) BRIDGE PLANS SN 090-0159 (SN 090-0005) (WB I-74 OVER ALTORFER LANE AND TP&W RAILROAD)
- (7) BRIDGE PLANS SN 090-0156 (SN 090-0010 EB & SN 090-0011 WB) (RAMP K-2 OVER MAIN STREET AND RAMP J-3)
- (8) BRIDGE PLANS SN 090-0009 (WB I-74 OVER CAMP STREET, FARM CREEK AND TP&W RAILROAD)
- (9) RETAINING WALL SN 090-8512 (ALONG RAMP J-3) RETAINING WALL SN 090-8513 (ALONG RAMP K-2)



REVISIONS	
NAME	DATE

ILLINOIS DEPARTMENT OF TRANSPORTATION

SUMMARY OF QUANTITIES

DATE 02/14/2005

DRAWN BY  
CHECKED BY

02/14/2005 11:22:52 AM  
Q:\data\55893-74\dwg\contract\packaging\sqd\08p-6a.dgn

CONTRACT IN PACKAGING PAGE 18 OF 25 FINAL PLANS 01/17/05



F.A.I. RTE.	SECTION	COUNTY	TOTAL SHEETS	SHEET NO.
74	*	TAZEWELL	1366	20
STA.	TO STA.			
FED. ROAD DIST. NO. 4			ILLINOIS FED. AID PROJECT	

SUMMARY OF QUANTITIES FOR ALL PLAN SETS				URBAN												
				IM						IM						
				90% FED 10% STATE						90% FED 10% STATE						
				CONSTRUCTION TYPE CODE												
CODE NO.	PAY ITEM	UNIT	TOTAL QUANTITY	INTERSTATE ROADWAY 3 LANE (1) J000-2A	INTERSTATE ROADWAY 2 LANE (2) J000-2A	INTERSTATE ROADWAY (2A) I000-2A	ARTERIAL ROADWAY (3) I000-2A	ARTERIAL ROADWAY (4) J000-2A	BRIDGE (5) X281-2A	BRIDGE (6) X581-2A	BRIDGE (7) X271-2A	BRIDGE (8) X971-2A	RETAINING WALL (9) Y007	OVERHEAD SIGNS Y002-1C	LIGHTING Y030-1E	TRAFFIC SIGNALS Y031-1F
* M7800625	EPOXY PAVEMENT MARKING - LINE 300MM	METER	81					81								
* M7800640	EPOXY PAVEMENT MARKING - LINE 600MM	METER	93					93								
* M7802010	POLYUREA PAVEMENT MARKING TYPE I - LINE 100MM	METER	29917	9315	5557	11201	3760	84								
* M7802015	POLYUREA PAVEMENT MARKING TYPE I - LINE 150MM	METER	4361	1896	539	1400	526									
* M7802020	POLYUREA PAVEMENT MARKING TYPE I - LINE 200MM	METER	4668	2812	1314	527		15								
* M7802030	POLYUREA PAVEMENT MARKING TYPE I - LINE 300MM	METER	510	286	174	50										
* M7802060	POLYUREA PAVEMENT MARKING TYPE I - LINE 600MM	METER	23		12			11								
M7830100	PAVEMENT MARKING REMOVAL	SQ M	391		351			40								
M8100240	CONDUIT IN TRENCH, 30MM DIA., PVC	METER	33			28		5								
M8100260	CONDUIT IN TRENCH, 50MM DIA., PVC	METER	3431											598	2742	2812
M8100280	CONDUIT IN TRENCH, 75MM DIA., PVC	METER	880											844	36	25
M8100290	CONDUIT IN TRENCH, 90MM DIA., PVC	METER	64												64	22
M8101450	CONDUIT PUSHED, 50MM DIA., PVC	METER	344.0											29.0	107.0	45
M8101470	CONDUIT PUSHED, 75MM DIA., PVC	METER	32.0											32.0		
M8101480	CONDUIT PUSHED, 90MM DIA., PVC	METER	107.0												107.0	43
M8110130	CONDUIT ATTACHED TO STRUCTURE, 25MM DIA., GALVANIZED STEEL	METER	344.0											344.0		
M8110190	CONDUIT ATTACHED TO STRUCTURE, 90MM DIA., GALVANIZED STEEL	METER	6.0												6.0	6.1
M8120210	CONDUIT EMBEDDED IN STRUCTURE, 25 MM DIA, PVC	METER	17.0											17.0		
M8120230	CONDUIT EMBEDDED IN STRUCTURE, 50 MM DIA, PVC	METER	67.0											67.0		
M8120250	CONDUIT EMBEDDED IN STRUCTURE, 75 MM DIA, PVC	METER	386.0											386.0		
M8130120	JUNCTION BOX, STAINLESS STEEL, ATTACHED TO STRUCTURE, 150MM X 150MM X 100MM	EACH	41.0											41.0		
M8130415	JUNCTION BOX, STAINLESS STEEL, EMBEDDED IN STRUCTURE, 300MM X 300MM X 200MM	EACH	8.0											8.0		
M8131500	JUNCTION BOX, NON-METALLIC, EMBEDDED IN STRUCTURE, 675MM X 400MM X 300MM	EACH	3.0											3.0		
M8150200	TRENCH AND BACKFILL FOR ELECTRICAL WORK	METER	3158.2			23.7								1219.0	1921	1901.0
M8150205	TRENCH AND BACKFILL FOR ELECTRICAL WORK (SPECIAL)	METER	8			8.4										
* M8170030	ELECTRIC CABLE IN CONDUIT, 600V (XLP-TYPE USE) 1/C NO. 8	METER	1609											1609		
* M8170040	ELECTRIC CABLE IN CONDUIT, 600V (XLP-TYPE USE) 1/C NO. 6	METER	2991											2940	51	24
* M8170050	ELECTRIC CABLE IN CONDUIT, 600V (XLP-TYPE USE) 1/C NO. 4	METER	1807											1807		
* M8170060	ELECTRIC CABLE IN CONDUIT, 600V (XLP-TYPE USE) 1/C NO. 2	METER	5400											5400		
* M8170090	ELECTRIC CABLE IN CONDUIT, 600V (XLP-TYPE USE) 1/C NO. 3/0	METER	45.0											45.0		
M8300415	LIGHT POLE, ALUMINUM, 13.5M M.H., 2.4M DAVIT ARM	EACH	4.0											4.0		
M8301815	LIGHT POLE, ALUMINUM, TRANSFORMER BASE, 13.5M M.H., 2.4M DAVIT ARM	EACH	8.0											8.0		
M8360100	LIGHT POLE FOUNDATION, 600MM DIAMETER	METER	30.0											30.0		
M8370100	LIGHT TOWER FOUNDATION	METER	62.6											62.6		
* M8731220	ELECTRIC CABLE IN CONDUIT, SIGNAL NO. 14 3C	METER	63												63	63
* M8731240	ELECTRIC CABLE IN CONDUIT, SIGNAL NO. 14 5C	METER	853												853	593

URBAN  
90% FED  
5% STATE  
5% CITY  
TRAFFIC SIGNALS  
AT BLACKJACK BOVD  
Y031-1F

70  
11  
42  
64  
64  
6.1  
80  
27  
63  
593

02/14/2005 11:22:53 AM  
qa\doto\5589-74\dwg\contract\packaging\sqill0p-6a.dgn

- △ SFTY-3N
- SFTY-3C
- Y080
- ⊗ NON-PARTICIPATING
- \* SPECIALTY ITEMS

- (1) I-74 STA. 152+445.837 TO STA. 153+892.180
- (2) I-74 STA. 153+892.180 TO STA. 154+970.000
- (2A) I-74 EB STA. 154+780.000 TO STA. 157+666.230 & I-74 WB STA. 154+952.000 TO STA. 157+666.230
- (3) MAIN STREET STA. 2+800.000 TO STA. 4+157.000
- (4) MAIN STREET STA. 2+015.141 TO STA. 2+310.000, MAIN STREET STA. 2+402.933 TO STA. 2+800.000, & WASHINGTON STREET STA. 99+730.000 TO STA. 100+210.000
- (5) BRIDGE PLANS SN 090-0160 (SN 090-0006) (WB I-74 OVER MAIN STREET) & BRIDGE PLANS SN 090-0163 (WB I-74 OVER WASHINGTON STREET)

- (6) BRIDGE PLANS SN 090-0159 (SN 090-0005) (WB I-74 OVER ALTORFER LANE AND TP&W RAILROAD)
- (7) BRIDGE PLANS SN 090-0156 (SN 090-0010 EB & SN 090-0011 WB) (RAMP K-2 OVER MAIN STREET AND RAMP J-3)
- (8) BRIDGE PLANS SN 090-0009 (WB I-74 OVER CAMP STREET, FARM CREEK AND TP&W RAILROAD)
- (9) RETAINING WALL SN 090-8512 (ALONG RAMP J-3) RETAINING WALL SN 090-8513 (ALONG RAMP K-2)



REVISIONS	
NAME	DATE

ILLINOIS DEPARTMENT OF TRANSPORTATION

SUMMARY OF QUANTITIES

DATE 02/14/2005

DRAWN BY  
CHECKED BY

F.A.I. RTE.	SECTION	COUNTY	TOTAL SHEETS	SHEET NO.
74	*	TAZEWELL	1366	21
STA. TO STA.		FED. ROAD DIST. NO. 4 ILLINOIS FED. AID PROJECT		

SUMMARY OF QUANTITIES  
FOR ALL PLAN SETS

CODE NO.	PAY ITEM	UNIT	TOTAL QUANTITY	URBAN															
				IM				90% FED 10% STATE				IM				90% FED 10% STATE			
				INTERSTATE ROADWAY 3 LANE (1) J000-2A	INTERSTATE ROADWAY 2 LANE (2) J000-2A	INTERSTATE ROADWAY (2A) I000-2A	ARTERIAL ROADWAY (3) I000-2A	ARTERIAL ROADWAY (4) J000-2A	BRIDGE (5) X281-2A	BRIDGE (6) X581-2A	BRIDGE (7) X271-2A	BRIDGE (8) X971-2A	RETAINING WALL (9) Y007	OVERHEAD SIGNS Y002-1C	LIGHTING Y030-1E	TRAFFIC SIGNALS Y031-1F			
*M8731250	ELECTRIC CABLE IN CONDUIT, SIGNAL NO. 14 7C	METER	244.0														244.0		
*M8731510	ELECTRIC CABLE IN CONDUIT, LEAD-IN, NO. 18 3 PAIR	METER	33.6			33.6											33.6		
*M8731800	ELECTRIC CABLE IN CONDUIT, SERVICE, NO. 6 2 C	METER	177.0														177.0		
M8750510	TRAFFIC SIGNAL POST, GALVANIZED STEEL 4.85 METER	EACH	3.0														3.0		
M8770760	STEEL COMBINATION MAST ARM ASSEMBLY AND POLE 11.58 METER	EACH	2.0														2.0		
M8780100	CONCRETE FOUNDATION, TYPE A	METER	2.7														2.7		
M8780200	CONCRETE FOUNDATION, TYPE D	METER	2.2														2.2		
M8780300	CONCRETE FOUNDATION, TYPE E 600MM DIAMETER	METER	3														3		
M8780400	CONCRETE FOUNDATION, TYPE E 750MM DIAMETER	METER	3														3		
*M8860100	DETECTOR LOOP, TYPE I	METER	49.0						49.0								49.0		
*M8860400	DETECTOR LOOP, SPECIAL	METER	45.7			45.7											45.7		
MX030199	TEMPORARY PAVEMENT	SQ M	12378.0	6525.0					5853.0								12378.0		
MX030217	PIPE CULVERT REMOVAL 375MM	METER	31.0		31.0												31.0		
MX030218	PIPE CULVERT REMOVAL 450MM	METER	44.0		44.0												44.0		
MX030345	LIGHTWEIGHT CELLULAR CONCRETE FILL	CU M	51.7									51.7					51.7		
MX030396	FILL EXISTING STORM SEWERS	CU M	100				99.5										100		
MX030472	FORM LINER GRID AND FIN SURFACE	SQ M	1492									1492.3					1492		
MX032083	GUARDRAIL AGGREGATE EROSION CONTROL	M TON	350		127	223											350		
MX032134	BRACED EXCAVATION	CU M	506.0						165.0		63.0	278.0					506.0		
MX032138	PIPE ELBOW 600MM	EACH	6.0	6.0													6.0		
MX032186	PIPE ELBOW 300MM	EACH	25	25													25		
MX032188	CLASS SI CONCRETE, SPECIAL	CU M	154	154.2													154		
MX032693	REMOVE TEMPORARY CONCRETE BARRIER, STATE OWNED	METER	3019	2025.2	994												3019		
MX033104	PIPE ELBOW 450MM	EACH	12		12												12		
*MX033109	DRILLING AND SETTING SOLDIER PILES	CU M	749									749					749		
MX033182	APPLY DUST SUPPRESSION AGENTS	UNIT	1676.0	627.0	551.0		352.0	146.0									1676.0		
MX033183	SOIL STABILIZERS	KG	46268	13500	9450		18134	5184									46268		
MX033192	AGGREGATE SUBBASE	M TON	39026	18355	19945			726									39026		
*MX033194	WHITEWASH	SQ M	46448.0	24710.0	21738.0												46448.0		
MX033447	PIPE CULVERT REMOVAL 600MM	METER	45		45												45		
MX033450	CONCRETE BARRIER, DOUBLE FACE (SPECIAL)	CU M	45		44.7												45		
MX033456	NONINTRUSIVE DETECTOR POLE 9.1 METER	EACH	1														1		
MX033460	WET TEMPORARY PAVEMENT MARKING TAPE, TYPE III, 100 MM	METER	342		342												342		
MX033462	REMOVAL AND DISPOSAL OF TEMPORARY CONCRETE BARRIER (STATE OWNED)	METER	708	707.6													708		
MX203010	SPECIAL EXCAVATION	CU M	11470.0						11470								11470.0		
MX406M20	LEVELING BINDER (MACHINE METHOD), SUPERPAVE N70	M TON	44		44												44		

URBAN  
90% FED  
5% STATE  
5% CITY  
TRAFFIC SIGNALS  
AT BLACKJACK BLVD  
Y031-1F

02/14/2005 11:22:53 AM  
q:\data\5589-74\dwg\contract\poc\kg\ng\sc\lllp-6a.dgn

- △ SFTY-3N
- SFTY-3C
- Y080
- NON-PARTICIPATING
- \* SPECIALTY ITEMS

- (1) I-74 STA. 152+445.837 TO STA. 153+892.180
- (2) I-74 STA. 153+892.180 TO STA. 154+970.000
- (2A) I-74 EB STA. 154+780.000 TO STA. 157+666.230 & I-74 WB STA. 154+952.000 TO STA. 157+666.230
- (3) MAIN STREET STA. 2+800.000 TO STA. 4+157.000
- (4) MAIN STREET STA. 2+015.141 TO STA. 2+310.000, MAIN STREET STA. 2+402.933 TO STA. 2+800.000, & WASHINGTON STREET STA. 99+730.000 TO STA. 100+210.000
- (5) BRIDGE PLANS SN 090-0160 (SN 090-0006) (WB I-74 OVER MAIN STREET) & BRIDGE PLANS SN 090-0163 (WB I-74 OVER WASHINGTON STREET)
- (6) BRIDGE PLANS SN 090-0159 (SN 090-0005) (WB I-74 OVER ALTORFER LANE AND TP&W RAILROAD)
- (7) BRIDGE PLANS SN 090-0156 (SN 090-0010 EB & SN 090-0011 WB) (RAMP K-2 OVER MAIN STREET AND RAMP J-3)
- (8) BRIDGE PLANS SN 090-0009 (WB I-74 OVER CAMP STREET, FARM CREEK AND TP&W RAILROAD)
- (9) RETAINING WALL SN 090-8512 (ALONG RAMP J-3) RETAINING WALL SN 090-8513 (ALONG RAMP K-2)



REVISIONS	
NAME	DATE

ILLINOIS DEPARTMENT OF TRANSPORTATION  
  
SUMMARY OF QUANTITIES  
  
DRAWN BY  
CHECKED BY  
  
DATE 02/14/2005

F.A.I. RTE.	SECTION	COUNTY	TOTAL SHEETS	SHEET NO.
74	*	TAZEWELL	1366	22
STA.		TO STA.		
FED. ROAD DIST. NO. 4		ILLINOIS FED. AID PROJECT		
* (90-111R-2;90013,14,14-DR-1				

URBAN  
90% FED  
5% STATE  
5% CITY  
TRAFFIC SIGNALS  
AT BLACKJACK BLVD  
Y031-IF

SUMMARY OF QUANTITIES  
FOR ALL PLAN SETS

CODE NO.	PAY ITEM	UNIT	TOTAL QUANTITY	URBAN												
				IM						IM						
				90% FED 10% STATE						90% FED 10% STATE						
CONSTRUCTION TYPE CODE																
				INTERSTATE ROADWAY 3 LANE (1) J000-2A	INTERSTATE ROADWAY 2 LANE (2) J000-2A	INTERSTATE ROADWAY (2A) I000-2A	ARTERIAL ROADWAY (3) I000-2A	ARTERIAL ROADWAY (4) J000-2A	BRIDGE (5) X281-2A	BRIDGE (6) X581-2A	BRIDGE (7) X271-2A	BRIDGE (8) X971-2A	RETAINING WALL (9) Y007	OVERHEAD SIGNS Y002-1C	LIGHTING Y030-1E	TRAFFIC SIGNALS Y031-1F
MX406022	BITUMINOUS CONCRETE SURFACE COURSE, SUPERPAVE, MIX "D", N50	M TON	544					544.2								
MX406024	BITUMINOUS CONCRETE SURFACE COURSE, SUPERPAVE, MIX "D", N70	M TON	3607		187.5		3419									
MX406066	POLYMERIZED BITUMINOUS CONCRETE SURFACE COURSE, SUPERPAVE, MIX "E", N90	M TON	3905			3905										
MX406214	BITUMINOUS CONCRETE BINDER COURSE, SUPERPAVE, IL-19.0, N50	M TON	544					544.2								
MX406216	BITUMINOUS CONCRETE BINDER COURSE, SUPERPAVE, IL-19.0, N70	M TON	6836		281		6555									
MX406248	POLYMERIZED BITUMINOUS CONCRETE BINDER COURSE, SUPERPAVE, IL-19.0, N90	M TON	5845			5845										
MX406295	BITUMINOUS CONCRETE BINDER COURSE, SUPERPAVE, IL-19.0L (LOW ESAL)	M TON	14288	7656	6629			3								
MX500133	FLOATING BEARINGS, FIXED - 1850 KN	EACH	4								4					
MX500325	FLOATING BEARINGS, GUIDED EXPANSION, 1500 KN	EACH	16								4	12				
MX500335	FLOATING BEARINGS, GUIDED EXPANSION, 2000 KN	EACH	8								8					
MX504002	FURNISHING AND ERECTING PRECAST PRESTRESSED CONCRETE BULB T-BEAMS 1829 MM	METER	380						380							
MX509025	ALUMINUM RAILING, TYPE H, SPECIAL	METER	117						117							
MX602751	INLET-MANHOLE, TYPE G-1, 1.2M DIAMETER, SPECIAL	EACH	5				5									
MX602756	INLET-MANHOLE, TYPE G-1, 1.5M DIAMETER, SPECIAL	EACH	22				20	2								
MX637112	CONCRETE BARRIER TRANSITION (MODIFIED)	METER	10.0	10.0												
MX704005	TEMPORARY CONCRETE BARRIER (TO REMAIN PERMANENTLY)	METER	106.8		106.8											
MX704200	REMOVE TEMPORARY CONCRETE BARRIER	METER	1470	832.65	637											
MX720100	TEMPORARY SIGN PANEL ASSEMBLY	SQ M	60	32.3	28.1											
MX721010	COMPOSITE TEMPORARY SIGN OVERLAY	SQ M	35	22	12.9											
MX733010	OVERHEAD SIGN STRUCTURE - CANTILEVER, TYPE II-C-S (0.90M X 1.68M)	METER	9.00									9				
MX871055	FIBER OPTIC CABLE IN CONDUIT, NO. 62.5/125, MM12F SM12F	METER	1516													1516
MX873027	ELECTRIC CABLE IN CONDUIT, GROUNDING, NO. 6 1C	METER	177													
MX877017	STEEL COMBINATION MAST ARM ASSEMBLY AND POLE 15.85 METER	EACH	1													1
MX877020	STEEL COMBINATION MAST ARM ASSEMBLY AND POLE 16.76 METER	EACH	3													3
MX878030	CONCRETE FOUNDATION, TYPE E 900MM DIAMETER	METER	25.0													25.0
MZ008830	DRILLED SHAFT IN SOIL 915MM	METER	25.5								25.5					
MZ008880	DRILLED SHAFT IN SOIL 1830MM	METER	1								1					
MZ008930	DRILLED SHAFT IN ROCK 760MM	METER	21								21					
MZ008980	DRILLED SHAFT IN ROCK 1830MM	METER	17								17					
MZ017205	DOWEL BARS 38MM	EACH	4313.0	21.0		3180.0	1112.0									
MZ021500	EXPANSION JOINT 75MM	METER	118.8		74.8	44.0										
MZ022400	FABRIC REINFORCED ELASTOMERIC TROUGH	METER	36.9								17.5	19.4				
MZ022800	FENCE REMOVAL	METER	137.0	137.0												
MZ047300	PROTECTIVE SHIELD	SQ M	2959						1099	310		1550				
X0301840	DRILL AND GROUT #35 TIE BARS	EACH	1308	196			1112									
X0321809	PERMANENT GROUND ANCHOR	EACH	204.0										204.0			

- △ SFTY-3N
- SFTY-3C
- Y080
- ⊙ NON-PARTICIPATING
- \* SPECIALTY ITEMS

- (1) I-74 STA. 152+445.837 TO STA. 153+892.180
- (2) I-74 STA. 153+392.180 TO STA. 154+970.000
- (2A) I-74 EB STA. 154+780.000 TO STA. 157+666.230 & I-74 WB STA. 154+952.000 TO STA. 157+666.230
- (3) MAIN STREET STA. 2+800.000 TO STA. 4+157.000
- (4) MAIN STREET STA. 2+015.141 TO STA. 2+310.000, MAIN STREET STA. 2+402.933 TO STA. 2+800.000, & WASHINGTON STREET STA. 99+730.000 TO STA. 100+210.000
- (5) BRIDGE PLANS SN 090-0160 (SN 090-0006) (WB I-74 OVER MAIN STREET) & BRIDGE PLANS SN 090-0163 (WB I-74 OVER WASHINGTON STREET)

- (6) BRIDGE PLANS SN 090-0159 (SN 090-0005) (WB I-74 OVER ALTORFER LANE AND TP&W RAILROAD)
- (7) BRIDGE PLANS SN 090-0156 (SN 090-0010 EB & SN 090-0011 WB) (RAMP K-2 OVER MAIN STREET AND RAMP J-3)
- (8) BRIDGE PLANS SN 090-0009 (WB I-74 OVER CAMP STREET, FARM CREEK AND TP&W RAILROAD)
- (9) RETAINING WALL SN 090-8512 (ALONG RAMP J-3) RETAINING WALL SN 090-8513 (ALONG RAMP K-2)



REVISIONS	
NAME	DATE

ILLINOIS DEPARTMENT OF TRANSPORTATION

SUMMARY OF QUANTITIES

DATE 02/14/2005

DRAWN BY

CHECKED BY

02/14/2005 11:22:54 AM g:\data\5589-74\dwg\contract\packaging\scil\2p-6a.dgn

CONTRACT IN PACKAGING PAGE 22 OF 25 FINAL PLANS 01/17/05

F.A.I. RTE.	SECTION	COUNTY	TOTAL SHEETS	SHEET NO.
74	*	TAZEWELL	1366	23
STA.	TO STA.			
FED. ROAD DIST. NO. 4		ILLINOIS FED. AID PROJECT		

SUMMARY OF QUANTITIES FOR ALL PLAN SETS				URBAN												
				IM						IM						
				90% FED 10% STATE						90% FED 10% STATE						
				CONSTRUCTION TYPE CODE												
CODE NO.	PAY ITEM	UNIT	TOTAL QUANTITY	INTERSTATE ROADWAY 3 LANE (1) J000-2A	INTERSTATE ROADWAY 2 LANE (2) J000-2A	INTERSTATE ROADWAY (2A) I000-2A	ARTERIAL ROADWAY (3) I000-2A	ARTERIAL ROADWAY (4) J000-2A	BRIDGE (5) X281-2A	BRIDGE (6) X581-2A	BRIDGE (7) X271-2A	BRIDGE (8) X971-2A	RETAINING WALL (9) Y007	OVERHEAD SIGNS Y002-1C	LIGHTING Y030-1E	TRAFFIC SIGNALS Y031-1F
X0322050	RAISED REFLECTIVE PAVEMENT MARKER, REFLECTOR REMOVAL	EACH	299.0				299.0									
X0323073	CLEAN EXISTING PAVEMENT EDGE JOINT	UNIT	6		6.3											
X0323481	VIDEO VEHICLE DETECTION, 4 CAMERAS	EACH	2													2-1
X0323639	INSTALL BOLLARD AND LUMINAIRES	EACH	4						4							
X0323677	STREET SWEEPING	HOUR	1167	462	400		251	54								
X0323678	DUST CONTROL PADS	EACH	62	36			21	5								
X0323713	RADIO INTERCONNECT SYSTEM COMPLETE, LOCAL	EACH	2													2
X0323778	DRAINAGE SCUPPERS, TYPE 1	EACH	16.0						4		5	7				
X0323779	DRAINAGE SCUPPERS, TYPE 2	EACH	2						2							
X0323830	DRAINAGE SCUPPERS, DS-11	EACH	14							7						7
X0323920	POLE MOUNTED EQUIPMENT CABINET, TYPE B	EACH	1													
X0323921	POLE MOUNTED EQUIPMENT CABINET, TYPE C	EACH	1													
X0323959	FORM LINER MOCKUP	EACH	1	1												
X0323968	HIGHWAY-RAIL INFORMATION SIGN	EACH	1													
X0323970	UNDERPASS LUMINAIRE, INSTALL ONLY	EACH	24													24
X0323971	HIGH MAST LUMINAIRE, INSTALL ONLY	EACH	49													49
X0323989	REINSTALL TEMPORARY SIGN PANEL ASSEMBLY	EACH	39	28	11											
X0323997	SIGN SUPPORT, PARAPET MOUNTED, TYPE I	EACH	2	2												
X0324134	BATTERY BACKUP SYSTEM WITH CABINET	EACH	3													3-2
X0349800	CONCRETE HEADWALL FOR PIPE UNDERDRAIN REMOVAL	EACH	2	2												
X0504200	CONCRETE HEADWALL	EACH	3	3												
X0976500	END SECTIONS TO BE REMOVED	EACH	19	6			10	3								
X4207500	CONCRETE PAVEMENT WARRANTY	L SUM	1	0.5	0.5											
X6020065	INLETS, TYPE G-1, DOUBLE (SPECIAL)	EACH	6				5	1								
X6330100	REMOVE AND RE-ERECT TRAFFIC BARRIER TERMINAL, TYPE 1 SPECIAL	EACH	4			4										
X6700410	ENGINEER'S FIELD OFFICE, TYPE A (SPECIAL)	CAL MO	24	8	8	8										
X6700600	ENGINEER'S FIELD LABORATORY (SPECIAL)	CAL MO	24	8	8	8										
X7011015	TRAFFIC CONTROL AND PROTECTION (EXPRESSWAYS)	L SUM	1	0.4	0.4	0.2										
X7015000	CHANGEABLE MESSAGE SIGN	CAL MO	84	28			28	28								
X8350100	LIGHT TOWER, INSTALL ONLY	EACH	9													9
X8800020	SIGNAL HEAD ,LED, 1-FACE, 3-SECTION, MAST-ARM MOUNTED	EACH	18													18-7
X8800035	SIGNAL HEAD ,LED, 1-FACE, 3-SECTION, BRACKET MOUNTED	EACH	7													7-4
X8800038	SIGNAL HEAD ,LED, 1-FACE, 4-SECTION, MAST ARM MOUNTED	EACH	1													1
X8800040	SIGNAL HEAD ,LED, 1-FACE, 5-SECTION, BRACKET MOUNTED	EACH	4													4-3
X8810610	PEDESTRIAN SIGNAL HEAD, LED, 1-FACE, BRACKET MOUNTED	EACH	2													2
Z0000100	ABANDON EXISTING CULVERT	EACH	1	1												

URBAN  
90% FED  
5% STATE  
5% CITY  
TRAFFIC SIGNALS  
AT BLACKJACK BLVD  
Y031-1F

02/14/2005 11:22:54 AM g:\adot\35889-74\dwg\contract\packaging\scull3p-6a.dgn

- △ SFTY-3N
- SFTY-3C
- Y080
- ⊗ NON-PARTICIPATING

- (1) I-74 STA. 152+445.837 TO STA. 153+892.180
- (2) I-74 STA. 153+892.180 TO STA. 154+970.000
- (2A) I-74 EB STA. 154+780.000 TO STA. 157+666.230 & I-74 WB STA. 154+952.000 TO STA. 157+666.230
- (3) MAIN STREET STA. 2+800.000 TO STA. 4+157.000
- (4) MAIN STREET STA. 2+015.141 TO STA. 2+310.000, MAIN STREET STA. 2+402.933 TO STA. 2+800.000, & WASHINGTON STREET STA. 99+730.000 TO STA. 100+210.000
- (5) BRIDGE PLANS SN 090-0160 (SN 090-0006) (WB I-74 OVER MAIN STREET) & BRIDGE PLANS SN 090-0163 (WB I-74 OVER WASHINGTON STREET)

- (6) BRIDGE PLANS SN 090-0159 (SN 090-0005) (WB I-74 OVER ALTORFER LANE AND TP&W RAILROAD)
- (7) BRIDGE PLANS SN 090-0156 (SN 090-0010 EB & SN 090-0011 WB) (RAMP K-2 OVER MAIN STREET AND RAMP J-3)
- (8) BRIDGE PLANS SN 090-0009 (WB I-74 OVER CAMP STREET, FARM CREEK AND TP&W RAILROAD)
- (9) RETAINING WALL SN 090-8512 (ALONG RAMP J-3) RETAINING WALL SN 090-8513 (ALONG RAMP K-2)



REVISIONS	
NAME	DATE

ILLINOIS DEPARTMENT OF TRANSPORTATION

SUMMARY OF QUANTITIES

DATE 02/14/2005

DRAWN BY  
CHECKED BY

CONTRACT IN PACKAGING PAGE 23 OF 25 FINAL PLANS 01/17/05

F.A.I. RTE.	SECTION	COUNTY	TOTAL SHEETS	SHEET NO.
74	*	TAZEWELL	1366	24
STA.		TO STA.		
FED. ROAD DIST. NO. 4		ILLINOIS FED. AID PROJECT		

• (90-11R-2)90(13,14,14-1)R-1

SUMMARY OF QUANTITIES FOR ALL PLAN SETS				URBAN													
				IM							IM						
				90% FED 10% STATE							90% FED 10% STATE						
				CONSTRUCTION TYPE CODE													
CODE NO.	PAY ITEM	UNIT	TOTAL QUANTITY	INTERSTATE ROADWAY 3 LANE (1) J000-2A	INTERSTATE ROADWAY 2 LANE (2) J000-2A	INTERSTATE ROADWAY (2A) I000-2A	ARTERIAL ROADWAY (3) I000-2A	ARTERIAL ROADWAY (4) J000-2A	BRIDGE (5) X281-2A	BRIDGE (6) X581-2A	BRIDGE (7) X271-2A	BRIDGE (8) X971-2A	RETAINING WALL (9) Y007	OVERHEAD SIGNS Y002-1C	LIGHTING Y030-1E	TRAFFIC SIGNALS Y031-1F	
Z0002600	BAR SPLICERS	EACH	514						183	172	61	98					
Z0007900	BUTT JOINTS	EACH	1		1												
Z0013798	CONSTRUCTION LAYOUT	L SUM	1	0.4	0.3		0.2	0.1									
Z0018800	DRAINAGE SYSTEM	L SUM	1							0.19	0.67	0.14					
Z0024478	FLEXIBLE DELINEATORS	EACH	309	309													
Δ Z0030020	IMPACT ATTENUATORS (FULLY REDIRECTIVE, NARROW), TEST LEVEL 2	EACH	3	2	1												
Δ Z0030030	IMPACT ATTENUATORS (FULLY REDIRECTIVE, NARROW), TEST LEVEL 3	EACH	3	3													
Δ Z0030255	IMPACT ATTENUATORS, TEMPORARY (FULLY REDIRECTIVE, NARROW), TEST LEVEL 2	EACH	3	1	2												
Δ Z0030350	IMPACT ATTENUATORS, RELOCATE (NON-REDIRECTIVE), TEST LEVEL 3	EACH	1	1													
Z0031405	JACKING AND SHORING EXISTING GIRDERS	L SUM	1									1					
Z0048665	RAILROAD PROTECTIVE LIABILITY INSURANCE	L SUM	1	1													
Δ Z0050000	REMOVAL AND REINSTALLATION OF EXISTING IMPACT ATTENUATORS	EACH	1		1												
Z0064540	SEEPAGE COLLAR	EACH	23	17	6												
Z0076600	TRAINEES	HOUR	3000	1400	1400	200											
* #4001602	DRILLED SHAFT IN SOIL, 1980MM	METER	5								4.5						
* #4001603	BITUMINOUS SURFACE REMOVAL - BUTT JOINT (SPECIAL)	SQ M	1571.0			1571											
* #4001614	CLASS B PATCHES (SPECIAL)	SQ M	107			107.2											
* #4001616	PAVED DITCH REMOVAL, SPECIAL	SQ M	380		380												
* #4001617	PIPE CULVERT REMOVAL 300MM	METER	42		42												
* #4001618	MANHOLES, TYPE A, 1.2M DIAMETER, FLAT SLAB TOP	EACH	1		1												
* #4001620	LIGHT POLE, GALVANIZED STEEL, 13.5 M MH, 4.5 M DAVIT ARM	EACH	1													1	
* #4001621	STORM SEWER CLASS A, TYPE 1 750MM EQUIVALENT	METER	32					32									
* #4001624	AGGREGATE SPECIAL	M TON	5.0		5.0												
* #4001625	CONCRETE BARRIER BASE	SQ M	61		61												
* #4001626	CONCRETE COLLAR, CULVERT NO. 1	EACH	1		1												
* #4001627	FRAMES AND GRATES, TYPE 20, INSTALL ONLY	EACH	13		13												

02/14/2005 11:22:54 AM  
g:\data\5589-74\dwg\contract\packaging\scall4p-6a.dgn

- Δ SFTY-3N
- SFTY-3C
- Y080
- NON-PARTICIPATING

- (1) I-74 STA. 152+445.837 TO STA. 153+892.180
- (2) I-74 STA. 153+892.180 TO STA. 154+970.000
- (2A) I-74 EB STA. 154+780.000 TO STA. 157+666.230 & I-74 WB STA. 154+952.000 TO STA. 157+666.230
- (3) MAIN STREET STA. 2+800.000 TO STA. 4+157.000
- (4) MAIN STREET STA. 2+015.141 TO STA. 2+310.000, MAIN STREET STA. 2+402.933 TO STA. 2+800.000, & WASHINGTON STREET STA. 99+730.000 TO STA. 100+210.000
- (5) BRIDGE PLANS SN 090-0160 (SN 090-0006) (WB I-74 OVER MAIN STREET) & BRIDGE PLANS SN 090-0163 (WB I-74 OVER WASHINGTON STREET)

- (6) BRIDGE PLANS SN 090-0159 (SN 090-0005) (WB I-74 OVER ALTORFER LANE AND TP&W RAILROAD)
- (7) BRIDGE PLANS SN 090-0156 (SN 090-0010 EB & SN 090-0011 WB) (RAMP K-2 OVER MAIN STREET AND RAMP J-3)
- (8) BRIDGE PLANS SN 090-0009 (WB I-74 OVER CAMP STREET, FARM CREEK AND TP&W RAILROAD)
- (9) RETAINING WALL SN 090-8512 (ALONG RAMP J-3) RETAINING WALL SN 090-8513 (ALONG RAMP K-2)



REVISIONS	
NAME	DATE

ILLINOIS DEPARTMENT OF TRANSPORTATION

SUMMARY OF QUANTITIES

DATE 02/14/2005

DRAWN BY \_\_\_\_\_  
CHECKED BY \_\_\_\_\_

CONTRACT # PACKAGING PAGE 24 OF 25 FINAL PLANS 01/17/05



F.A.I. RTE.	SECTION	COUNTY	TOTAL SHEETS NO.
74	*	TAZEWELL	1366 25
STA.		TO STA.	
FED. ROAD DIST. NO. 4		ILLINOIS FED. AID PROJECT	

• (90-11)R-290(13,14,14-1)R-1


Earthwork Schedule									
LOCATION	1	2	3	4	5	6	7		8
	TOTAL EXCAVATION (CUT)  (COL 2 + COL 3 + COL 4)	SPECIAL EXCAVATION	UNSUITABLE MATERIAL	EARTH EXCAVATION	EXCAVATION TO BE USED IN EMBANKMENT (ADJUSTED FOR SHRINKAGE)  (COL 2 or COL 4 x 0.75)	EMBANKMENT (FILL)	EARTHWORK BALANCE WASTE (+) OR FURNISHED EXCAVATION (-)  (COL 5 - COL 6)		TOPSOIL FURNISH AND PLACE 100 MM
							(+) WASTE	(-) FURN EX	
STAGE 3A									
I-74 STA 152+444.837 TO STA 153+828.180	2,349	0	0	2,349	1,762	4,051	-2,289		2,468
I-74 STA 153+892.180 TO STA 154+250.000	4,278	0	417	3,861	2,896	5,671	-2,775		805
MAIN STREET STA 2+402.000 TO STA 4+157.000	12,033	11,470	563	0	8,603	11,636	-3,034		23,284
RAMP K-2 STA 10+635.511 TO STA 10+691.236	22	0	0	22	17	1,909	-1,893		982
RAMP J-4 STA 10+230.000 TO STA 10+301.000	1,200	0	0	1,200	900	2,852	-1,952		2,427
RAMP L-4 STA 10+250.000 TO STA 10+300.000	464	0	0	464	348	567	-219		158
<b>SUBTOTAL</b>	<b>20,346</b>	<b>11,470</b>	<b>980</b>	<b>7,896</b>	<b>14,525</b>	<b>26,686</b>	<b>-12,162</b>		<b>30,124</b>
STAGE 3B									
I-74 STA 153+079.792 TO STA 153+499.000	7,857	0	0	7,857	5,893	275	5,618		3,109
I-74 STA 154+250.000 TO STA 154+850.000	6,607	0	1,081	5,526	4,145	2,928	1,217		448
RAMP J-3 STA 10+149.000 TO STA 10+351.000	17,725	0	1,003	16,722	12,542	29	12,513		1,441
RAMP K-2 STA 10+051.874 TO STA 10+423.029	2,979	0	102	2,877	2,158	2,875	-717		2,854
RAMP L-4 STA 10+000.000 TO STA 10+250.000	3,115	0	290	2,825	2,119	40	2,079		346
EXISTING RAMP 20 & 21 GRADING STA 800+000.000 TO STA 800+120.000	713	0	0	713	535	902	-367		3,062
<b>SUBTOTAL</b>	<b>38,996</b>	<b>0</b>	<b>2,476</b>	<b>36,520</b>	<b>27,390</b>	<b>7,049</b>	<b>20,341</b>		<b>11,260</b>
STAGE 3C									
I-74 STA 152+723.598 TO STA 152+975.000	483	0	0	483	362	1,138	-776		1,825
RAMP J-4 STA 10+064.000 TO STA 10+301.000	19,960	0	0	19,960	14,970	470	14,500		5,427
<b>SUBTOTAL</b>	<b>20,443</b>	<b>0</b>	<b>0</b>	<b>20,443</b>	<b>15,332</b>	<b>1,608</b>	<b>13,724</b>		<b>7,252</b>
<b>TOTAL</b>	<b>79,785</b>	<b>11,470</b>	<b>3,456</b>	<b>64,859</b>	<b>57,247</b>	<b>35,343</b>	<b>34,066</b>	<b>-12,162</b>	<b>48,636</b>

EARTH EXCAVATION SHRINKAGE FACTOR = 25%

DESCRIPTION	QUANTITIES	CROSS SECTION LEGEND		
		STAGE 3A	STAGE 3B	STAGE 3C
SPECIAL EXCAVATION	11,470	S3A	S3B	S3C
REMOVAL AND DISPOSAL OF UNSUITABLE MATERIAL	3,460	U3A	U3B	U3C
EARTH EXCAVATION	64,860	E3A	E3B	E3C
FURNISHED EXCAVATION	12,165	F3A	F3B	F3C
TOPSOIL FURNISH AND PLACE, 100 mm	48,636	T3A	T3B	T3C

SHOULDER RUMBLE STRIP	
LOCATION	METER
EB STA. 151+371.000 TO STA. 151+415.000 RT.	44.0
EB STA. 151+605.100 TO STA. 151+937.500 RT.	332.4
EB STA. 151+760.000 TO STA. 152+000.000 LT.	240.0
EB STA. 152+127.600 TO STA. 152+445.800 RT.	318.2
EB STA. 152+109.700 TO STA. 152+445.800 LT.	336.1
EB STA. 152+445.837 TO STA. 153+892.180	1475.0
EB STA. 153+977.774 TO STA. 154+298.692 RT.	320.9
EB STA. 154+512.766 TO STA. 154+780.000 RT.	267.2
EB STA. 153+892.180 TO STA. 154+780.000 LT.	887.8
EB STA. 154+780.000 TO STA. 157+666.230 RT.	2806.8
EB STA. 154+780.000 TO STA. 157+666.230 LT.	2886.2
WB STA. 151+371.000 TO STA. 151+390.000 LT.	19.0
WB STA. 151+771.100 TO STA. 151+984.700 LT.	213.6
WB STA. 151+760.100 TO STA. 151+995.200 RT.	235.2
WB STA. 152+114.200 TO STA. 152+445.800 RT.	331.6
WB STA. 152+312.700 TO STA. 152+445.800 RT.	133.1
WB STA. 152+445.837 TO STA. 153+892.180	1465.0
WB STA. 154+006.185 TO STA. 154+324.718 LT.	318.5
WB STA. 154+525.000 TO STA. 154+780.000 LT.	255.0
WB STA. 153+892.180 TO STA. 154+780.000 RT.	887.8
WB STA. 154+952.000 TO STA. 157+666.230 RT.	2714.2
WB STA. 154+952.000 TO STA. 157+666.230 LT.	2591.8
<b>TOTAL (MAINLINE ONLY)</b>	<b>19080</b>

01/14/2005 01:47:59 PM G:\data\5589-14\dwg\contract\packaging\scel\0ip-6a.dgn

 DAILY & ASSOCIATES, ENGINEERS, INC. PEORIA, ILLINOIS	REVISIONS NAME      DATE		ILLINOIS DEPARTMENT OF TRANSPORTATION  F.A.I. ROUTE 74 (I-74) SCHEDULE OF QUANTITIES  DRAWN BY CHECKED BY  DATE 01/14/2005	

CONTRACT # PACKAGING PAGE 25 OF 25 FINAL PLANS 01/17/05

68201		F.A.I. SHEETS	SECTION	COUNTY	TOTAL SHEETS	SHEET NO.
74		(90-11R-2; 90(13, 14, 14-1)R-1	TAZEWELL	1366	26	

# SET 1 OF 4

## STATE OF ILLINOIS DEPARTMENT OF TRANSPORTATION DIVISION OF HIGHWAYS

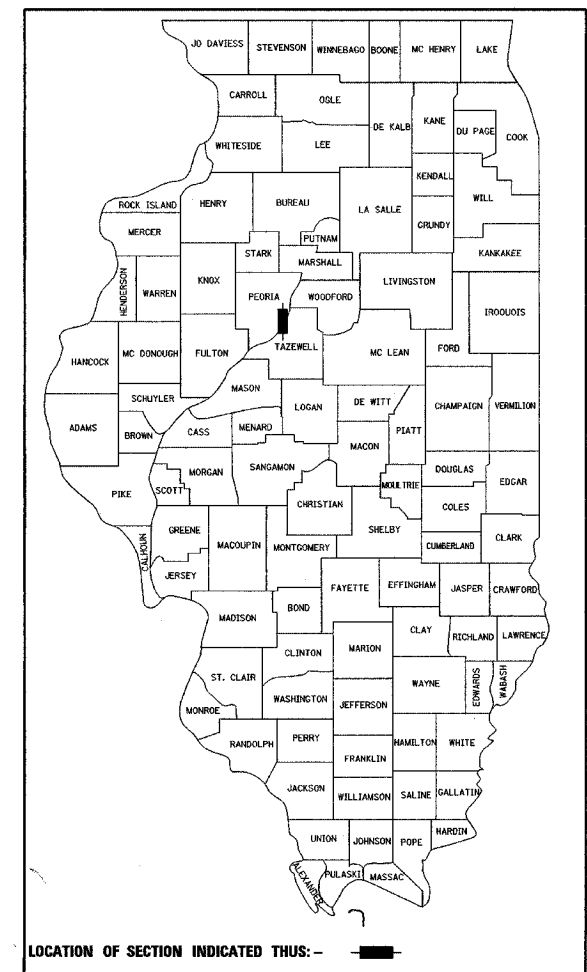
# PLANS FOR PROPOSED FEDERAL AID INTERSTATE

F.A.I. ROUTE 74 (WB I-74)  
SECTION (90-11)R-2; 90(13, 14, 14-1)R-1  
PROJECT

TAZEWELL COUNTY  
C-94-010-02

### RECONSTRUCTION OF I-74 WESTBOUND LANES AND RAMPS FROM N. MAIN STREET TO WASHINGTON STREET

DESIGN NO. D-94-010-02



PROJECT ENGINEER: RICHARD DOTSON (309) 671-3455

LIAISON ENGINEER: CHRISTOPHER MAUSHARD (309) 671-3464

FOR MASTER INDEX OF SHEETS, SEE SHEET NO. 2

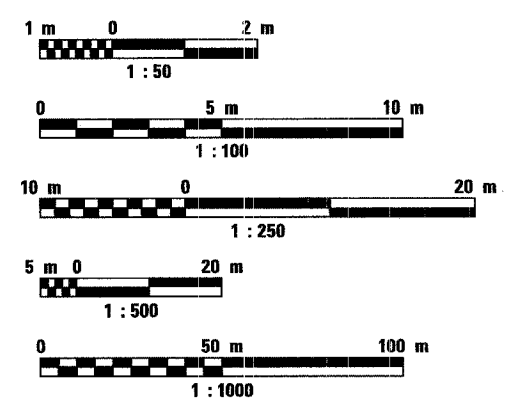
FOR HIGHWAY STANDARDS LIST FOR ALL PLAN SETS SEE SHEET 5

DESIGN DESIGNATION:  
7625 (25) INTERSTATE 38.28 (PCC-30)  
1455 (25) INTERSTATE 9.23 (PCC-30)

#### SURVEY BOOK NO.

- 2845A
- 2845B
- 2845C
- 2845D
- 2845E

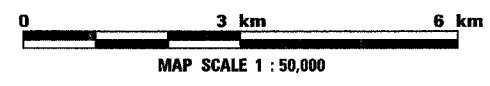
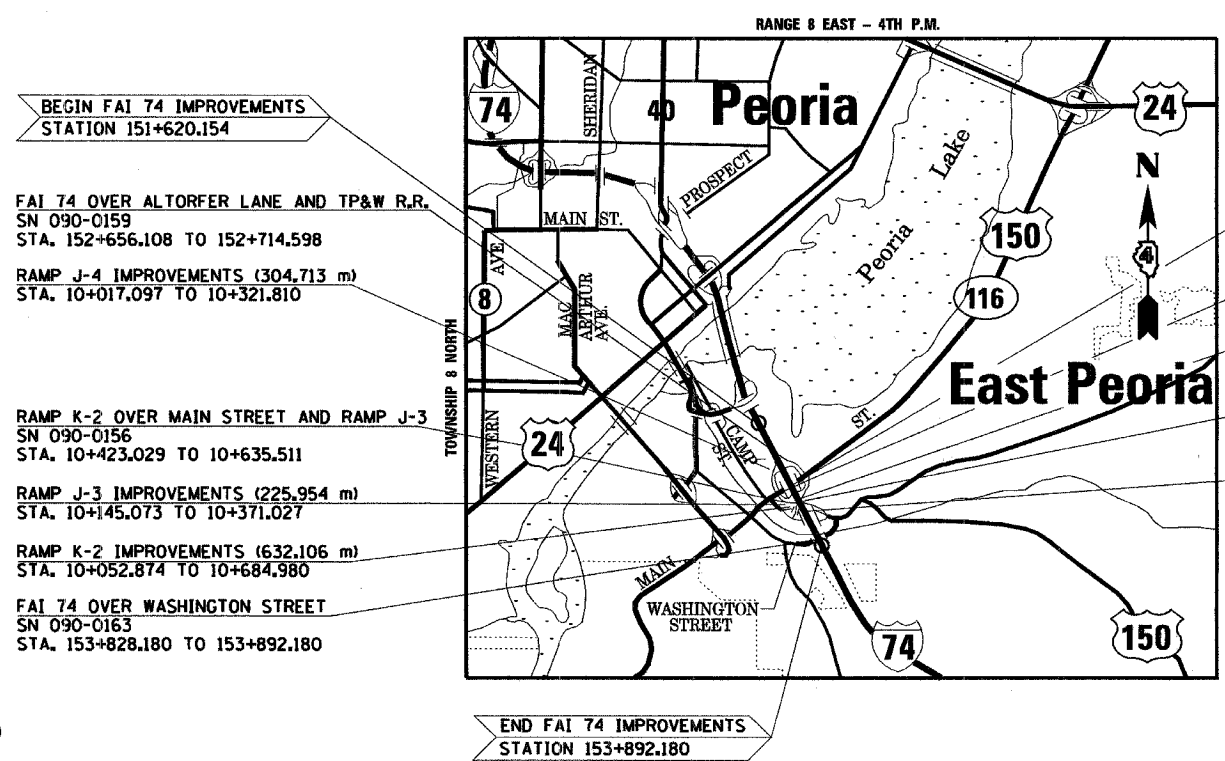
#### METRIC RATIOS



FULL SIZE PLANS HAVE BEEN PREPARED USING STANDARD ENGINEERING SCALES. REDUCED SIZED PLANS WILL NOT CONFORM TO STANDARD SCALES. IN MAKING MEASUREMENTS ON REDUCED PLANS, THE ABOVE SCALES MAY BE USED.

J.U.L.I.E.  
JOINT UTILITY LOCATION INFORMATION FOR EXCAVATION  
1-800-892-0123

CONTRACT NO. 68201  
CATALOG NO. 031087-18D



FAI 74 (WB I-74)  
GROSS LENGTH OF SECTION AND PROJECT = 2272.026 METERS = 2.272 KILOMETERS  
NET LENGTH OF SECTION AND PROJECT = 2272.026 METERS = 2.272 KILOMETERS

- FAI 74 OVER MAIN STREET  
SN 090-0160  
STA. 153+020.792 TO 153+079.792
- MAIN STREET IMPROVEMENTS (1938,102 m)  
STA. 2+218.898 TO 4+157.000
- RAMP J-3 RETAINING WALL  
SN 090-8512  
STA. 10+037.700 TO 10+212.930
- RAMP K-2 RETAINING WALL  
SN 090-8513  
STA. 10+378.450 TO 10+507.550
- FAI 74 OVER CAMP STREET, FARM CREEK AND TP&W R.R.  
SN 090-0009  
STA. 153+496.485 TO 153+741.610

NPDES PERMIT REQUIRED
QC/QA BITUMINOUS
QC/QA CONCRETE
BITUMINOUS SUPERPAVE

**URS**  
URS CORPORATION  
ST. LOUIS, MISSOURI  
DATE: 12-20-04

PRINTED BY THE AUTHORITY  
OF THE STATE OF ILLINOIS

MR. JAMES J. MARTY - PROJECT MANAGER (217) 875-4800

INDEX OF SHEETS FOR PLAN SET 1 OF 4

68201				
F.A.I. RTE.	SECTION	COUNTY	TOTAL SHEETS	SHEET NO.
74	00-1R-29013,14,14-1R-1	TAZEWELL	1366	27
STA.		TO STA.		
FED. ROAD DIST. NO. 4		ILLINOIS FED. AID PROJECT		

SHEET NO.	DESCRIPTION	SHEET NO.	DESCRIPTION
26	COVER SHEET	298-302	CROSS SECTION SHEAR LINES
27	INDEX OF SHEETS	303-304	RIGHT OF WAY PLANS
28	GENERAL NOTES	305-314	INTERSECTION DETAILS
29-43	TOTAL BILL OF MATERIALS	315-327	TRAFFIC SIGNAL PLANS
44-45	STATUS OF UTILITIES TO BE ADJUSTED	328-334	PAVEMENT MARKING (WB I-74)
46-47	EXISTING TYPICAL SECTIONS (WB I-74)	335-339	PAVEMENT MARKING (MAIN STREET)
48	EXISTING TYPICAL SECTIONS (RAMPS)	340-346	TEMPORARY GUIDE SIGN DETAILS
49-54	EXISTING TYPICAL SECTIONS (MAIN STREET)	347-372	CONCEPTUAL TEMPORARY INFORMATION SIGNING PLANS
55-65	PROPOSED TYPICAL SECTIONS (WB I-74)	373-375	RAMP GORE AND PAVEMENT DETAILS
66-69	PROPOSED TYPICAL SECTIONS (RAMP J-3)	376	PAVEMENT JOINT DETAIL ALTORFER LANE AT MAIN STREET
70-72	PROPOSED TYPICAL SECTIONS (RAMP J-4)	377-382	BRIDGE APPROACH PAVEMENT DETAILS
73-78	PROPOSED TYPICAL SECTIONS (RAMP K-2)	383-385	MISCELLANEOUS DETAILS - IMPACT ATTENUATORS
79-85	PROPOSED TYPICAL SECTIONS (MAIN STREET)	386-387	EROSION CONTROL PLANS
86-90	PROPOSED TYPICAL SECTIONS (SIDE ROADS)	388	EXISTING GENERAL PLAN AND ELEVATION AT PROPOSED STRUCTURE # SN 090-0159
91-115	SCHEDULE OF QUANTITIES	389-421	BRIDGE PLANS SN 090-0159 (WB I-74 AND RAMP J-4 OVER ALTORFER LANE AND TP&W RR)
116-117	REFERENCE TIES AND BENCHMARKS	422	EXISTING GENERAL PLAN AND ELEVATION AT PROPOSED STRUCTURE # SN 090-0160
118-121	SCHEMATIC DRAWINGS	423-447	BRIDGE PLANS SN 090-0160 (WB I-74 OVER MAIN STREET)
122	MAINTENANCE OF TRAFFIC - GENERAL NOTES AND LEGENDS	448	EXISTING GENERAL PLAN AND ELEVATION AT PROPOSED STRUCTURE # SN 090-0009
123-124	MAINTENANCE OF TRAFFIC - STAGE 3A-1 CONSTRUCTION SEQUENCING	449-516	BRIDGE PLANS SN 090-0009 (WB I-74 OVER CAMP STREET, FARM CREEK AND TP&W RR)
125-133	MAINTENANCE OF TRAFFIC - STAGE 3A-1	517	EXISTING GENERAL PLAN AND ELEVATION AT PROPOSED STRUCTURE # SN 090-0163
134-135	MAINTENANCE OF TRAFFIC - STAGE 3A (WITH SUB-STAGE 2) CONSTRUCTION SEQUENCING	518-545	BRIDGE PLANS SN 090-0163 (WB I-74 OVER WASHINGTON STREET)
136-153	MAINTENANCE OF TRAFFIC - STAGE 3A	546-601	BRIDGE PLANS SN 090-0156 (RAMP K-2 OVER MAIN STREET & RAMP J-3)
154-164	MAINTENANCE OF TRAFFIC - STAGE 3A-2	602-622	RETAINING WALL 81 SN 090-8512 (RAMP J-3)
165-166	MAINTENANCE OF TRAFFIC - STAGE 3A (WITH SUB-STAGE 3) CONSTRUCTION SEQUENCING	623-642	RETAINING WALL 82 SN 090-8513 (RAMP K-2)
167-183	MAINTENANCE OF TRAFFIC - STAGE 3A-3	643-662	D4 CADD STANDARDS
184-185	MAINTENANCE OF TRAFFIC - STAGE 3A (WITH SUB-STAGE 4) CONSTRUCTION SEQUENCING	663-682	I-74 PROJECT STANDARDS
186-198	MAINTENANCE OF TRAFFIC - STAGE 3A-4	683-763	CROSS SECTIONS - I-74 W.B.
199-200	MAINTENANCE OF TRAFFIC - STAGE 3A (WITH SUB-STAGE 5) CONSTRUCTION SEQUENCING	764-776	CROSS SECTIONS - RAMP J-3
201	MAINTENANCE OF TRAFFIC - STAGE 3B CONSTRUCTION SEQUENCING	777-791	CROSS SECTIONS - RAMP J-4
202-208	MAINTENANCE OF TRAFFIC - STAGE 3B	792-821	CROSS SECTIONS - RAMP K-2
209	MAINTENANCE OF TRAFFIC - STAGE 3C CONSTRUCTION SEQUENCING	822-893	CROSS SECTIONS - MAIN STREET
210	MAINTENANCE OF TRAFFIC - STAGE 3C	894-895	CROSS SECTIONS - EXISTING RAMP 20 & 21 GRADING
211-217	PLANS (WB I-74)		
218-244	PLANS (MAIN STREET)		
245-246	PLANS (BLACKJACK BLVD.)		
247-248	PROFILE (WB I-74)		
249	PROFILE (RAMP J-3)		
250	PROFILE (RAMP J-4)		
251	PROFILE (RAMP K-2)		
252-254	PROFILES (MAIN STREET)		
255-270	DRAINAGE AND UTILITIES (WB I-74)		
271-297	DRAINAGE AND UTILITIES (MAIN STREET)		

<b>URS</b> URS CORPORATION ST. LOUIS, MO	REVISIONS		ILLINOIS DEPARTMENT OF TRANSPORTATION  <b>INDEX OF SHEETS</b>  DRAWN BY MLS CHECKED BY SRS DATE 12/20/04
	NAME	DATE	

11/05/07 10:10:59 AM - 5500 - 18" - 02/17/2006 10:06:41 AM

I:\Projects\11102-6002-DR-1\11/10/2005 8:44:56 AM

68201

F.A.I. RTE.	SECTION	COUNTY	TOTAL SHEETS	SHEET NO.
74	00-10R-20011414-DR-1	TAZEWELL	1366	28
STA.			TO STA.	
FED. ROAD DIST. NO. 4		ILLINOIS FED. AID PROJECT		

**PROJECT SPECIFIC NOTES**

**CROSS SECTIONS**

IN THE CROSS SECTIONS USE THE FOLLOWING LEGENDS WITH END AREAS COMPUTED IN m<sup>2</sup>

SPECIAL EXCAVATION	S
UNSUITABLE MATERIAL	U
EARTH EXCAVATION	E
EMBANKMENT	F
TOPSOIL FURNISH AND PLACE	T

**FINAL FINISH ON PORTLAND CEMENT CONCRETE PAVEMENT**

A TYPE "A" FINAL FINISH SHALL BE PROVIDED ON I-74 MAINLINE, RAMP AND MAIN STREET PCC PAVEMENTS.

A TYPE "B" FINAL FINISH, OBTAINED IN ACCORDANCE WITH ARTICLE 420.11(E)(2) OF THE STANDARD SPECIFICATIONS, SHALL BE PROVIDED ON OFF SYSTEM STREET PCC PAVEMENTS EXCEPT MAIN STREET.

**ACCESS CONTROL FENCE**

THE CONTRACTOR SHALL TEMPORARILY RE-ERECT ACCESS CONTROL FENCE UNLESS CONSTRUCTION OPERATIONS ARE ON GOING AND WORKERS ARE PRESENT UNTIL THE PERMANENT ACCESS CONTROL FENCE IS INSTALLED. THIS WORK INCLUDING ADDITIONAL TEMPORARY FENCE REQUIRED TO MAINTAIN THE INTEGRITY OF THE ACCESS CONTROL FENCE SHALL BE INCLUDED IN THE COST OF PERMANENT FENCE.

**EXISTING DRAINAGE:**

THE CONTRACTOR SHALL VERIFY ALL EXISTING ELEVATIONS CRITICAL TO THE PROPOSED DRAINAGE PATTERNS IN SET 1 OF 4 PRIOR TO PERFORMING ANY DRAINAGE RELATED WORK. THE CONTRACTOR SHALL NOTIFY THE ENGINEER IMMEDIATELY IF ANY DISCREPANCIES ARE FOUND.

**TEMPORARY CONCRETE BARRIER:**

ANY TEMPORARY CONCRETE BARRIER TO BE REMOVED AND RELOCATED THAT IS NOT NEEDED FOR THE NEXT SUBSEQUENT STAGE OF CONSTRUCTION SHALL BE STORED IN A MANNER AND LOCATION THAT DOES NOT INTERFERE WITH CONSTRUCTION. THIS WORK SHALL NOT BE PAID FOR SEPARATELY BUT WILL BE CONSIDERED AS INCLUDED IN THE PAY ITEMS PROVIDED.

**EARTHWORK STAGING:**

EARTHWORK QUANTITIES DESIGNATED AS STAGE 3A-1 IN THE CROSS SECTIONS ARE SCHEDULED AS STAGE 3A.

REVISIONS	
NAME	DATE



ILLINOIS DEPARTMENT OF TRANSPORTATION

**GENERAL NOTES**

DATE 12/20/04  
 DRAWN BY SRS  
 CHECKED BY JUM

\\ns10101-5695\_dgn 1/7/2005 3:11:41 PM

F.A.I. RTE.	SECTION	COUNTY	TOTAL SHEETS	SHEET NO.
	*	TAZEWELL	1366	29
STA.		TO STA.		
FED. ROAD DIST. NO.		ILLINOIS FED. AID PROJECT		

\*90-IDR-2:90(3,14,14-IDR-1

**BILL OF MATERIALS FOR SET 1 OF 4**  
**FOR INFORMATION ONLY**

CODE NO.	PAY ITEM	UNIT	TOTAL QUANTITY	URBAN									
				IM 90% FED 10% STATE			BR1 80% FED 20% STATE			IM 90% FED 10% STATE			
				CONSTRUCTION TYPE CODE									
				INTERSTATE ROADWAY 3 LANE (1) J000-2A	ARTERIAL ROADWAY (2) I000-2A	ARTERIAL ROADWAY (3) J000-2A	BRIDGE (4) X281-2A	BRIDGE (5) X581-2A	BRIDGE (6) X281-2A	BRIDGE (7) X971-2A	RETAIN WALL (8) Y007	TRAFFIC SIGNALS Y031-1F	
28000300	TEMPORARY DITCH CHECKS	EACH	95	83	1	11							
28000500	INLET AND PIPE PROTECTION	EACH	268	268									
50100300	REMOVAL OF EXISTING STRUCTURES NO. 1	EACH	1			1							
50100400	REMOVAL OF EXISTING STRUCTURES NO. 2	EACH	1				1						
50100500	REMOVAL OF EXISTING STRUCTURES NO. 3	EACH	1			1							
50104400	CONCRETE HEADWALL REMOVAL	EACH	22	16	5	1							
50104710	REMOVAL OF EXISTING BEARINGS	EACH	10							10			
50104800	REMOVAL OF EXISTING CONCRETE DECK	L SUM	1							1			
50300100	FLOOR DRAINS	EACH	7							7			
50300310	ELASTOMERIC BEARING ASSEMBLY, TYPE I	EACH	12							12			
50300320	ELASTOMERIC BEARING ASSEMBLY, TYPE II	EACH	28						4	24			
50300330	ELASTOMERIC BEARING ASSEMBLY, TYPE III	EACH	4						4				
50500505	STUD SHEAR CONNECTORS	EACH	24314						4748	12334	7232		
50500715	JACK AND REMOVE EXISTING BEARINGS	EACH	30							30			
50600300	CLEANING AND PAINTING STEEL BRIDGE	L SUM	1							1			
50606400	CONTAINMENT AND DISPOSAL OF LEAD PAINT CLEANING RESIDUES	L SUM	1							1			
51500100	NAME PLATES	EACH	7				2	1	1	1	2		
60100060	CONCRETE HEADWALL FOR PIPE DRAINS	EACH	17	15	2								
60240301	INLETS, TYPE B, TYPE 8 GRATE	EACH	1	1									
60240303	INLETS, TYPE B, TYPE 9 FRAME AND GRATE	EACH	3	3									
60240324	INLETS, TYPE B, TYPE 20 FRAME AND GRATE	EACH	2	2									
60241900	INLETS, TYPE G-1, SPECIAL	EACH	61	2	38	21							
60247132	DRAINAGE STRUCTURES, TYPE 1A WITH ONE TYPE 20 FRAME AND GRATE	EACH	15	15									

- (1) WB I-74 STA 152+445.837 TO STA 153+892.180
- (2) MAIN STREET STA 2+800.000 TO STA 4+157.000
- (3) MAIN STREET STA 2+402.933 TO STA 2+800.000
- (4) BRIDGE PLANS SN 090-0160 (EX SN 090-0006) (WB I-74 OVER MAIN STREET)  
BRIDGE PLANS SN 090-0163 (EX SN 090-0011) (WB I-74 OVER WASHINGTON STREET)
- (5) BRIDGE PLANS SN 090-0159 (EX SN 090-0005) (WB I-74 OVER ALTORFER LANE AND TP&W RAILROAD)
- (6) BRIDGE PLANS SN 090-0156 (RAMP K-2 OVER MAIN STREET)
- (7) BRIDGE PLANS SN 090-0009 (WB I-74 OVER CAMP STREET, FARM CREEK AND TP&W RAILROAD)
- (8) RETAINING WALL SN 090-8512 (ALONG RAMP J-3)  
RETAINING WALL SN 090-8513 (ALONG RAMP K-2)

REVISIONS	
NAME	DATE

**ILLINOIS DEPARTMENT OF TRANSPORTATION**  
**FAI ROUTE 74 (I-74)**

**TOTAL BILL OF MATERIALS**

DRAWN BY MLS  
CHECKED BY JJM

DATE 12-20-04



F.A.I. RTE.	SECTION	COUNTY	TOTAL SHEETS	SHEET NO.
74	*	TAZEWELL	1866	30
STA.	TO STA.			
FED. ROAD DIST. NO.	ILLINOIS FED. AID PROJECT			

\*90-11R-2;9013,14,14-1R-1

**BILL OF MATERIALS FOR SET 1 OF 4  
FOR INFORMATION ONLY**

				URBAN								
				IM 90% FED 10% STATE		BRI 80% FED 20% STATE			IM 90% FED 10% STATE			
				CONSTRUCTION TYPE CODE								
CODE NO.	PAY ITEM	UNIT	TOTAL QUANTITY	INTERSTATE	ARTERIAL	ARTERIAL	BRIDGE	BRIDGE	BRIDGE	BRIDGE	RETAIN	TRAFFIC
				ROADWAY 3 LANE (1) J000-2A	ROADWAY (2) 1000-2A	ROADWAY (3) J000-2A	(4) X281-2A	(5) X581-2A	(6) X281-2A	(7) X971-2A	(8) Y007	Y031-1F
60260100	INLETS TO BE ADJUSTED	EACH	1		1							
60500040	REMOVING MANHOLES	EACH	2		2							
60500060	REMOVING INLETS	EACH	31	30		1						
60900215	TYPE C INLET BOX, STANDARD 609001	EACH	4	4								
60900315	TYPE D INLET BOX, STANDARD 609006	EACH	1	1								
60900515	CONCRETE THRUST BLOCKS	EACH	14	14								
61000115	TYPE E INLET BOX, STANDARD 610001	EACH	5	5								
61000225	TYPE F INLET BOX, STANDARD 610001	EACH	1	1								
63100045	TRAFFIC BARRIER TERMINAL, TYPE 2	EACH	3	1	2							
63500105	DELINEATORS	EACH	42	42								
66600105	FURNISHING AND ERECTING RIGHT-OF-WAY MARKERS	EACH	10		4	6						
66700205	PERMANENT SURVEY MARKERS, TYPE I	EACH	12		7	1	2	1		1		
72400600	RELOCATE SIGN PANEL ASSEMBLY - TYPE B	EACH	1	1								
78100100	RAISED REFLECTIVE PAVEMENT MARKER	EACH	577	577								
78200500	BARRIER WALL MARKERS	EACH	117	117								
78201000	TERMINAL MARKER - DIRECT APPLIED	EACH	5	5								
78300200	RAISED REFLECTIVE PAVEMENT MARKER REMOVAL	EACH	411		290	121						
80500205	SERVICE INSTALLATION, TYPE B (MODIFIED)	EACH	2									2
81400400	CONCRETE HANDHOLE	EACH	19									19
81400600	CONCRETE DOUBLE HANDHOLE	EACH	2									2
82102400	LUMINAIRE, SODIUM VAPOR, HORIZONTAL MOUNT, 400 WATT	EACH	7									7
85700200	FULL-ACTUATED CONTROLLER AND TYPE IV CABINET	EACH	2									2
86400100	TRANSCEIVER - FIBER OPTIC	EACH	2									2

- (1) WB I-74 STA 152+445.837 TO STA 153+892.180
- (2) MAIN STREET STA 2+800.000 TO STA 4+157.000
- (3) MAIN STREET STA 2+402.933 TO STA 2+800.000

- (4) BRIDGE PLANS SN 090-0160 (EX SN 090-0006) (WB I-74 OVER MAIN STREET)
- BRIDGE PLANS SN 090-0163 (EX SN 090-0011) (WB I-74 OVER WASHINGTON STREET)
- (5) BRIDGE PLANS SN 090-0159 (EX SN 090-0005) (WB I-74 OVER ALTORFER LANE AND TP&W RAILROAD)
- (6) BRIDGE PLANS SN 090-0156 (RAMP K-2 OVER MAIN STREET)
- (7) BRIDGE PLANS SN 090-0009 (WB I-74 OVER CAMP STREET, FARM CREEK AND TP&W RAILROAD)
- (8) RETAINING WALL SN 090-8512 (ALONG RAMP J-3)
- RETAINING WALL SN 090-8513 (ALONG RAMP K-2)

REVISIONS	
NAME	DATE



**ILLINOIS DEPARTMENT OF TRANSPORTATION  
FAI ROUTE 74 (I-74)**

**TOTAL BILL OF MATERIALS**

DATE 12-20-04

DRAWN BY MLS  
CHECKED BY JJM

No. 95-11 S. 5002/L/1. ufp. 5005-101101. AMPROA

F.A.I. RTE.	SECTION	COUNTY	TOTAL SHEETS	SHEET NO.
74	*	TAZEWELL	1366	31
TO STA.				
ILLINOIS FED. AID PROJECT				

\*(90-11R-2;90(13,14,14-1R-1

BILL OF MATERIALS FOR SET 1 OF 4  
FOR INFORMATION ONLY

				URBAN								
				IM 90% FED 10% STATE			BRI 80% FED 20% STATE			IM 90% FED 10% STATE		
				CONSTRUCTION TYPE CODE								
				INTERSTATE ROADWAY 3 LANE (1) J000-2A	ARTERIAL ROADWAY (2) I000-2A	ARTERIAL ROADWAY (3) J000-2A	BRIDGE (4) X281-2A	BRIDGE (5) X581-2A	BRIDGE (6) X281-2A	BRIDGE (7) X971-2A	RETAIN WALL (8) Y007	TRAFFIC SIGNALS Y031-1F
CODE NO.	PAY ITEM	UNIT	TOTAL QUANTITY									
88200110	TRAFFIC SIGNAL BACKPLATE, LOUVERED	EACH	20									20
88800100	PEDESTRIAN PUSH-BUTTON	EACH	2									2
89000200	TEMPORARY TRAFFIC SIGNAL INSTALLATION	L SUM	2									2
89502375	REMOVE EXISTING TRAFFIC SIGNAL EQUIPMENT	EACH	1									1
89502380	REMOVE EXISTING HANDHOLE	EACH	5									5
89502385	REMOVE EXISTING CONCRETE FOUNDATION	EACH	5									5
M2010110	TREE REMOVAL (6 TO 15 UNITS DIAMETER)	UNIT	267		214	53						
M2010210	TREE REMOVAL (OVER 15 UNITS DIAMETER)	UNIT	176	94	64	18						
M2010500	TREE REMOVAL, HECTARES	HA	1.0	0.7	0.3							
M2011000	TEMPORARY FENCE	METER	1703	1703								
M2020010	EARTH EXCAVATION	CU M	52183	51470		713						
M2021200	REMOVAL AND DISPOSAL OF UNSUITABLE MATERIAL	CU M	1668	1105	563							
M2021400	SUB-BASE GRANULAR MATERIAL, TYPE A	M TON	11751			11751						
M2021500	SUB-BASE GRANULAR MATERIAL, TYPE B	M TON	6512		6512							
M2040800	FURNISHED EXCAVATION	CU M	3400		3713	-313						
M2070220	POROUS GRANULAR EMBANKMENT	CU M	2831				502	360	111		1858	
M2080250	TRENCH BACKFILL, SPECIAL	CU M	508	281	175	52						
M2101000	GEOTECHNICAL FABRIC FOR GROUND STABILIZATION	SQ M	25607.0	25607.0								
M2113100	TOPSOIL FURNISH AND PLACE, 100MM	SQ M	46954	20608	17528	8818						
M2500110	SEEDING, CLASS 1A	HA	3.9	3.9								
M2500312	SEEDING, CLASS 4A	HA	3.1	3.1								
M2500322	SEEDING, CLASS 5A	HA	0.4	0.4								
M2500400	NITROGEN FERTILIZER NUTRIENT	KG	377	377								

SHEET 3 OF 15

- (1) WB I-74 STA 152+445.837 TO STA 153+892.180
- (2) MAIN STREET STA 2+800.000 TO STA 4+157.000
- (3) MAIN STREET STA 2+402.933 TO STA 2+800.000

- (4) BRIDGE PLANS SN 090-0160 (EX SN 090-0006) (WB I-74 OVER MAIN STREET)  
BRIDGE PLANS SN 090-0163 (EX SN 090-0011) (WB I-74 OVER WASHINGTON STREET)
- (5) BRIDGE PLANS SN 090-0159 (EX SN 090-0005) (WB I-74 OVER ALTORFER LANE AND TP&W RAILROAD)
- (6) BRIDGE PLANS SN 090-0156 (RAMP K-2 OVER MAIN STREET)
- (7) BRIDGE PLANS SN 090-0009 (WB I-74 OVER CAMP STREET, FARM CREEK AND TP&W RAILROAD)
- (8) RETAINING WALL SN 090-8512 (ALONG RAMP J-3)  
RETAINING WALL SN 090-8513 (ALONG RAMP K-2)

REVISIONS	
NAME	DATE



ILLINOIS DEPARTMENT OF TRANSPORTATION  
FAI ROUTE 74 (I-74)  
  
TOTAL BILL OF MATERIALS  
  
DRAWN BY MLS  
CHECKED BY JJM  
DATE 12-20-04

11/17/2004 10:11:18 AM 68201

68201

F.A.I. RTE.	SECTION	COUNTY	TOTAL SHEETS	SHEET NO.
74	*	TAZEWELL	1366	32
STA.		TO STA.		
FED. ROAD DIST. NO.		ILLINOIS FED. AID PROJECT		

\*90-IDR-2;90I13,14,14-IDR-1

**BILL OF MATERIALS FOR SET 1 OF 4**  
**FOR INFORMATION ONLY**

CODE NO.	PAY ITEM	UNIT	TOTAL QUANTITY	URBAN										
				IM 90% FED 10% STATE		BRI 80% FED 20% STATE		IM 90% FED 10% STATE						
				CONSTRUCTION TYPE CODE										
				INTERSTATE ROADWAY 3 LANE (1) J000-2A	ARTERIAL ROADWAY (2) 1000-2A	ARTERIAL ROADWAY (3) J000-2A	BRIDGE (4) X281-2A	BRIDGE (5) X581-2A	BRIDGE (6) X281-2A	BRIDGE (7) X971-2A	RETAIN WALL (8) Y007	TRAFFIC SIGNALS Y031-1F		
M2500500	PHOSPHORUS FERTILIZER NUTRIENT	KG	377	377										
M2500600	POTASSIUM FERTILIZER NUTRIENT	KG	377	377										
M2500700	AGRICULTURAL GROUND LIMESTONE	M TON	21.0	21.0										
M2510115	MULCH, METHOD 2	HA	4.0	4.0										
M2510630	EROSION CONTROL BLANKET	SQ M	39120	39120										
M2800250	TEMPORARY EROSION CONTROL SEEDING	KG	12713	12713										
M2800400	PERIMETER EROSION BARRIER	METER	5303	5303										
M2810707	STONE DUMPED RIPRAP, CLASS A4	SQ M	551	551										
M2820100	FILTER FABRIC FOR USE WITH RIPRAP	SQ M	551	551										
M2850300	ARTICULATED BLOCK MAT	SQ M	362	362										
M3511100	AGGREGATE BASE COURSE, TYPE B 100MM	SQ M	520	520										
M3530250	PORTLAND CEMENT CONCRETE BASE COURSE 250MM	SQ M	10055		10055									
M3540250	PORTLAND CEMENT CONCRETE BASE COURSE WIDENING 250MM	SQ M	525		525									
M4060085	PORTLAND CEMENT CONCRETE SURFACE REMOVAL - BUTT JOINT	SQ M	137		137									
M4060100	BITUMINOUS MATERIALS (PRIME COAT)	LITER	64797	46106	18691									
M4060300	AGGREGATE (PRIME COAT)	M TON	112		112									
M4060980	BITUMINOUS SURFACE REMOVAL - BUTT JOINT	SQ M	202		202									
M4060990	TEMPORARY RAMP	SQ M	58		58									
M4080400	INCIDENTAL BITUMINOUS SURFACING	M TON	3		3									
M4202255	PORTLAND CEMENT CONCRETE PAVEMENT 250MM (JOINTED)	SQ M	17238	4650	12588									
M4205000	BRIDGE APPROACH PAVEMENT	SQ M	727	727										
M4205050	BRIDGE APPROACH PAVEMENT (SPECIAL)	SQ M	439	439										
M4205100	PAVEMENT FABRIC	SQ M	10055		10055									

SHEET 4 OF 15

- (1) WB I-74 STA 152+445.837 TO STA 153+892.180
- (2) MAIN STREET STA 2+800.000 TO STA 4+157.000
- (3) MAIN STREET STA 2+402.933 TO STA 2+800.000

- (4) BRIDGE PLANS SN 090-0160 (EX SN 090-0006) (WB I-74 OVER MAIN STREET)  
BRIDGE PLANS SN 090-0163 (EX SN 090-0011) (WB I-74 OVER WASHINGTON STREET)
- (5) BRIDGE PLANS SN 090-0159 (EX SN 090-0005) (WB I-74 OVER ALTORFER LANE AND TP&W RAILROAD)
- (6) BRIDGE PLANS SN 090-0156 (RAMP K-2 OVER MAIN STREET)
- (7) BRIDGE PLANS SN 090-0009 (WB I-74 OVER CAMP STREET, FARM CREEK AND TP&W RAILROAD)
- (8) RETAINING WALL SN 090-8512 (ALONG RAMP J-3)  
RETAINING WALL SN 090-8513 (ALONG RAMP K-2)

REVISIONS	
NAME	DATE



**ILLINOIS DEPARTMENT OF TRANSPORTATION**  
**FAI ROUTE 74 (I-74)**  
**TOTAL BILL OF MATERIALS**  
 DATE 12-20-04  
 DRAWN BY MLS  
 CHECKED BY JJM



F.A.I. RTE.	SECTION	COUNTY	TOTAL SHEETS	SHEET NO.
		TAZEWELL	136	33
TO STA.				
ILLINOIS FED. AID PROJECT				

\*190-11R-2:9013,14,14-11R-1

**BILL OF MATERIALS FOR SET 1 OF 4**  
**FOR INFORMATION ONLY**

CODE NO.	PAY ITEM	UNIT	TOTAL QUANTITY	URBAN								
				IM 90% FED 10% STATE			BRI 80% FED 20% STATE			IM 90% FED 10% STATE		
				CONSTRUCTION TYPE CODE								
				INTERSTATE ROADWAY 3 LANE (1) J000-2A	ARTERIAL ROADWAY (2) I000-2A	ARTERIAL ROADWAY (3) J000-2A	BRIDGE (4) X281-2A	BRIDGE (5) X581-2A	BRIDGE (6) X281-2A	BRIDGE (7) X971-2A	RETAIN WALL (8) Y007	TRAFFIC SIGNALS Y031-1F
M4205200	PROTECTIVE COAT	SQ M	48105		29768	2757	15580					
M4210290	CONTINUOUSLY REINFORCED PORTLAND CEMENT CONCRETE PAVEMENT 290MM	SQ M	10820	10820								
M4214290	PAVEMENT REINFORCEMENT 290MM	SQ M	10820	10820								
M4230200	PORTLAND CEMENT CONCRETE DRIVEWAY PAVEMENT, 200MM	SQ M	286		99	187						
M4240100	PORTLAND CEMENT CONCRETE SIDEWALK 100MM	SQ M	91.0	55.0		36.0						
M4400025	BITUMINOUS SURFACE REMOVAL 25MM	SQ M	24929		24929							
M4400050	BITUMINOUS SURFACE REMOVAL 50MM	SQ M	21			21						
M4402000	PAVEMENT REMOVAL	SQ M	12288	12288								
M4402020	CURB REMOVAL	METER	300	300								
M4402040	COMBINATION CURB AND GUTTER REMOVAL	METER	119	119								
M4402280	CONCRETE BARRIER REMOVAL	METER	67	67								
M4402530	PAVED SHOULDER REMOVAL	SQ M	7998	7998								
M4405000	PAVED DITCH REMOVAL	METER	480	480								
M4426225	CLASS B PATCHES, TYPE II, 250MM	SQ M	709		709							
M4426450	CLASS B PATCHES, TYPE IV, 375MM	SQ M	113	113								
M4429400	SAW CUTS	METER	856	71	785							
M4430020	STRIP REFLECTIVE CRACK CONTROL TREATMENT	METER	5528		5528							
M4812000	AGGREGATE SHOULDERS, TYPE B	M TON	660	660								
M4820200	BITUMINOUS SHOULDERS 200MM	SQ M	514	514								
M4830250	PORTLAND CEMENT CONCRETE SHOULDERS - 250MM	SQ M	4195	4040		155						
M4830290	PORTLAND CEMENT CONCRETE SHOULDERS - 290MM	SQ M	3545	3545								
M5010240	CONCRETE REMOVAL	CU M	122.2							122.2		
M5010465	SLOPE WALL REMOVAL	SQ M	306							306		

SHEET 5 OF 15

- (1) WB I-74 STA 152+445.837 TO STA 153+892.180
- (2) MAIN STREET STA 2+800.000 TO STA 4+157.000
- (3) MAIN STREET STA 2+402.933 TO STA 2+800.000

- (4) BRIDGE PLANS SN 090-0160 (EX SN 090-0006) (WB I-74 OVER MAIN STREET)  
BRIDGE PLANS SN 090-0163 (EX SN 090-0011) (WB I-74 OVER WASHINGTON STREET)
- (5) BRIDGE PLANS SN 090-0159 (EX SN 090-0005) (WB I-74 OVER ALTORFER LANE AND TP&W RAILROAD)
- (6) BRIDGE PLANS SN 090-0156 (RAMP K-2 OVER MAIN STREET)
- (7) BRIDGE PLANS SN 090-0009 (WB I-74 OVER CAMP STREET, FARM CREEK AND TP&W RAILROAD)
- (8) RETAINING WALL SN 090-8512 (ALONG RAMP J-3)  
RETAINING WALL SN 090-8513 (ALONG RAMP K-2)

REVISIONS	
NAME	DATE

**ILLINOIS DEPARTMENT OF TRANSPORTATION**  
**FAI ROUTE 74 (I-74)**  
**TOTAL BILL OF MATERIALS**  
 DATE 12-20-04  
 DRAWN BY MLS  
 CHECKED BY JJM



F.A.I. RTE.	SECTION	COUNTY	TOTAL SHEETS	SHEET NO.
74	*	TAZEWELL	1366	34
STA.		TO STA.		
FED. ROAD DIST. NO.		ILLINOIS FED. AID PROJECT		

\*90-DR-2;90(3,4,14-DR-1

**BILL OF MATERIALS FOR SET 1 OF 4  
FOR INFORMATION ONLY**

CODE NO.	PAY ITEM	UNIT	TOTAL QUANTITY	URBAN									
				IM 90% FED 10% STATE			BRI 80% FED 20% STATE			IM 90% FED 10% STATE			
				CONSTRUCTION TYPE CODE									
				INTERSTATE ROADWAY 3 LANE (1) J000-2A	ARTERIAL ROADWAY (2) I000-2A	ARTERIAL ROADWAY (3) J000-2A	BRIDGE (4) X281-2A	BRIDGE (5) X581-2A	BRIDGE (6) X281-2A	BRIDGE (7) X971-2A	RETAIN WALL (8) Y007	TRAFFIC SIGNALS Y031-1F	
M5010522	PIPE CULVERT REMOVAL	METER	260	213	17	30							
M5020100	STRUCTURE EXCAVATION	CU M	2615				584	378	262	568	823		
M5020400	ROCK EXCAVATION FOR STRUCTURES	CU M	8						8				
M5030030	PREFORMED JOINT SEAL 64MM	METER	58.5					58.5					
M5030105	NEOPRENE EXPANSION JOINT 50MM	METER	80.0							80.0			
M5030350	CONCRETE STRUCTURES	CU M	2151.6				254.0	265.5	195.4	510.0	926.7		
M5030360	CONCRETE SUPERSTRUCTURE	CU M	2335.8				498.5	436.9	538.9	861.5			
M5030390	BRIDGE DECK GROOVING	SQ M	8544				1750	1457	1538	3799			
M5030450	PROTECTIVE COAT	SQ M	10666				2043	1624	2212	4787			
M5030710	FORMED CONCRETE REPAIR (DEPTH EQUAL TO OR LESS THAN 125MM)	SQ M	4							4			
M5041219	FURNISHING AND ERECTING PRECAST PRESTRESSED CONCRETE I-BEAMS, 1219MM	METER	695.5					695.5					
M5041372	FURNISHING AND ERECTING PRECAST PRESTRESSED CONCRETE I-BEAMS, 1372MM	METER	352.0				352.0						
M5050105	FURNISHING AND ERECTING STRUCTURAL STEEL	L SUM	1						0.70	0.30			
M5050405	FURNISHING AND ERECTING STRUCTURAL STEEL	KG	3290									3290	
M5050410	STRUCTURAL STEEL REMOVAL	KG	1540								1540		
M5070207	TREATED TIMBER LAGGING	SQ M	23									23	
M5070209	UNTREATED TIMBER LAGGING	SQ M	1371									1371	
M5070213	FURNISHING SOLDIER PILES (BUILT UP SECTION)	METER	1160.4									1160.4	
M5070215	FURNISHING SOLDIER PILES (W SECTION)	METER	233.3									233.3	
M5080105	REINFORCEMENT BARS	KG	120		80	40							
M5080205	REINFORCEMENT BARS, EPOXY COATED	KG	535050				85170	74290	127230	158600	89760		
M5110100	SLOPE WALL 100 MM	SQ M	2965				1108	1064	311	482			
M5110200	SLOPE WALL 150MM	SQ M	107							107			

SHEET 6 OF 15

- (1) WB I-74 STA 152+445.837 TO STA 153+892.180
- (2) MAIN STREET STA 2+800.000 TO STA 4+157.000
- (3) MAIN STREET STA 2+402.933 TO STA 2+800.000

- (4) BRIDGE PLANS SN 090-0160 (EX SN 090-0006) (WB I-74 OVER MAIN STREET)  
BRIDGE PLANS SN 090-0163 (EX SN 090-0011) (WB I-74 OVER WASHINGTON STREET)
- (5) BRIDGE PLANS SN 090-0159 (EX SN 090-0005) (WB I-74 OVER ALTORFER LANE AND TP&W RAILROAD)
- (6) BRIDGE PLANS SN 090-0156 (RAMP K-2 OVER MAIN STREET)
- (7) BRIDGE PLANS SN 090-0009 (WB I-74 OVER CAMP STREET, FARM CREEK AND TP&W RAILROAD)
- (8) RETAINING WALL SN 090-8512 (ALONG RAMP J-3)  
RETAINING WALL SN 090-8513 (ALONG RAMP K-2)

REVISIONS	
NAME	DATE



**ILLINOIS DEPARTMENT OF TRANSPORTATION  
FAI ROUTE 74 (I-74)**

**TOTAL BILL OF MATERIALS**

DRAWN BY MLS  
CHECKED BY JJM

DATE 12-20-04

F.A.I. RTE.	SECTION	COUNTY	TOTAL SHEETS	SHEET NO.
74	*	TAZEWELL	1366	35
STA.		TO STA.		
FED. ROAD DIST. NO.		ILLINOIS FED. AID PROJECT		

\*190-11R-2;9013,14,14-11R-1

**BILL OF MATERIALS FOR SET 1 OF 4  
FOR INFORMATION ONLY**

				URBAN									
				IM 90% FED 10% STATE			BRI 80% FED 20% STATE			IM 90% FED 10% STATE			
				CONSTRUCTION TYPE CODE									
				INTERSTATE ROADWAY 3 LANE (1) J000-2A	ARTERIAL ROADWAY (2) I000-2A	ARTERIAL ROADWAY (3) J000-2A	BRIDGE (4) X281-2A	BRIDGE (5) X581-2A	BRIDGE (6) X281-2A	BRIDGE (7) X971-2A	RETAIN WALL (8) Y007	TRAFFIC SIGNALS Y031-1F	
CODE NO.	PAY ITEM	UNIT	TOTAL QUANTITY										
M5120160	FURNISHING STEEL PILES HP310X79	METER	132.0								132.0		
M5120166	FURNISHING STEEL PILES HP310X94	METER	292.0				292.0						
M5120170	FURNISHING STEEL PILES HP310X110	METER	504.0				504.0						
M5120175	FURNISHING STEEL PILES HP310X125	METER	603.5					603.5					
M5120180	FURNISHING STEEL PILES HP360X108	METER	524.5								524.5		
M5120190	FURNISHING STEEL PILES HP360X132	METER	186.0							186.0			
M5120210	FURNISHING STEEL PILES HP360X174	METER	627.0					627.0					
M5120315	DRIVING STEEL PILES	METER	2868.5				796.0	1230.0	186.0	656.5			
M5120460	TEST PILE STEEL HP310X79	EACH	2								2		
M5120475	TEST PILE STEEL HP310X125	EACH	1					1					
M5120480	TEST PILE STEEL HP360X108	EACH	1								1		
M5120490	TEST PILE STEEL HP360X132	EACH	2							2			
M5120510	TEST PILE STEEL HP310X174	EACH	1					1					
M542E112	PRECAST REINFORCED CONCRETE FLARED END SECTIONS 300MM	EACH	25		16	9							
M542E120	PRECAST REINFORCED CONCRETE FLARED END SECTIONS 450MM	EACH	3		2	1							
M542E128	PRECAST REINFORCED CONCRETE FLARED END SECTIONS 600MM	EACH	6	2	4								
M542E136	PRECAST REINFORCED CONCRETE FLARED END SECTIONS 750MM	EACH	4		3	1							
M542E536	PRECAST REINFORCED CONCRETE FLARED END SECTIONS, EQUIVALENT ROUND-SIZE 750MM	EACH	1			1							
M542F012	METAL END SECTIONS 300MM	EACH	12	12									
M542I055	PIPE CULVERTS, CLASS A, TYPE 2 900MM	METER	29.0	29.0									
M542U425	PIPE CULVERTS, CLASS D, TYPE 2 450MM (TEMPORARY)	METER	4.0	4.0									
M5429910	CONCRETE COLLAR	CU M	3.5		2.4	1.1							
M5500030	STORM SEWERS, CLASS A, TYPE 1 300MM	METER	396.0	9.0	186.0	201.0							
M5500050	STORM SEWERS, CLASS A, TYPE 1 450MM	METER	107.0		103.0	4.0							

- (1) WB I-74 STA 152+445.837 TO STA 153+892.180
- (2) MAIN STREET STA 2+800.000 TO STA 4+157.000
- (3) MAIN STREET STA 2+402.933 TO STA 2+800.000

- (4) BRIDGE PLANS SN 090-0160 (EX SN 090-0006) (WB I-74 OVER MAIN STREET)
- BRIDGE PLANS SN 090-0163 (EX SN 090-0011) (WB I-74 OVER WASHINGTON STREET)
- (5) BRIDGE PLANS SN 090-0159 (EX SN 090-0005) (WB I-74 OVER ALTORFER LANE AND TP&W RAILROAD)
- (6) BRIDGE PLANS SN 090-0156 (RAMP K-2 OVER MAIN STREET)
- (7) BRIDGE PLANS SN 090-0009 (WB I-74 OVER CAMP STREET, FARM CREEK AND TP&W RAILROAD)
- (8) RETAINING WALL SN 090-8512 (ALONG RAMP J-3)
- RETAINING WALL SN 090-8513 (ALONG RAMP K-2)

REVISIONS	
NAME	DATE



ILLINOIS DEPARTMENT OF TRANSPORTATION  
FAI ROUTE 74 (I-74)

**TOTAL BILL OF MATERIALS**

DRAWN BY MLS  
CHECKED BY JJM

DATE 12-20-04

F.A.I. RTE.	SECTION	COUNTY	TOTAL SHEETS	SHEET NO.
74	*	TAZEWELL	1566	36
STA.		TO STA.		
FED. ROAD DIST. NO.		ILLINOIS FED. AID PROJECT		

\*(90-11R-2;90(13,14,14-1R-1

**BILL OF MATERIALS FOR SET 1 OF 4  
FOR INFORMATION ONLY**

CODE NO.	PAY ITEM	UNIT	TOTAL QUANTITY	URBAN										
				IM 90% FED 10% STATE			BRI 80% FED 20% STATE			IM 90% FED 10% STATE				
				CONSTRUCTION TYPE CODE										
INTERSTATE ROADWAY 3 LANE (1) J000-2A	ARTERIAL ROADWAY (2) I000-2A	ARTERIAL ROADWAY (3) J000-2A	BRIDGE (4) X281-2A	BRIDGE (5) X581-2A	BRIDGE (6) X281-2A	BRIDGE (7) X971-2A	RETAIN WALL (8) Y007	TRAFFIC SIGNALS Y031-1F						
M5500065	STORM SEWERS, CLASS A, TYPE 1 600MM	METER	23.5		23.5									
M5500070	STORM SEWERS, CLASS A, TYPE 1 675MM	METER	6.0		6.0									
M5500075	STORM SEWERS, CLASS A, TYPE 1 750MM	METER	77.0	63.5	3.0	10.5								
M5500430	STORM SEWERS, CLASS A, TYPE 2 300MM	METER	364.0	104.0	260.0									
M5500450	STORM SEWERS, CLASS A, TYPE 2 450MM	METER	189.5		162.5	27.0								
M5500465	STORM SEWERS, CLASS A, TYPE 2 600MM	METER	647.5	511.5	136.0									
M5500475	STORM SEWERS, CLASS A, TYPE 2 750MM	METER	128.0		124.0	4.0								
M5500830	STORM SEWERS, CLASS A, TYPE 3 300MM	METER	64.5		64.5									
M5500865	STORM SEWERS, CLASS A, TYPE 3 600MM	METER	42.5	42.5										
M5501230	STORM SEWERS, CLASS A, TYPE 4 300MM	METER	17.5		17.5									
M5501275	STORM SEWERS, CLASS A, TYPE 4 750MM	METER	16.5		16.5									
M5510025	STORM SEWER REMOVAL 300MM	METER	9.5			9.5								
M5510040	STORM SEWER REMOVAL 400MM	METER	46.0	46.0										
M5510060	STORM SEWER REMOVAL 600MM	METER	45.5	37.0	8.5									
M5510070	STORM SEWER REMOVAL 750MM	METER	2.5			2.5								
M5510080	STORM SEWER REMOVAL 900MM	METER	6.5		6.5									
M5870020	BRIDGE SEAT SEALER	SQ M	115					42	73					
M5900100	EPOXY CRACK SEALING	METER	34						34					
M5910100	GEOCOMPOSITE WALL DRAIN	SQ M	781								781			
M6010080	FRENCH DRAINS	CU M	29								29			
M6010125	PIPE DRAINS 300MM	METER	218.5	218.5										
M6010605	PIPE UNDERDRAINS 100MM	METER	973.0	973.0										
M6010610	PIPE UNDERDRAINS 150MM	METER	24.5		24.5									

- (1) WB I-74 STA 152+445.837 TO STA 153+892.180
- (2) MAIN STREET STA 2+800.000 TO STA 4+157.000
- (3) MAIN STREET STA 2+402.933 TO STA 2+800.000

- (4) BRIDGE PLANS SN 090-0160 (EX SN 090-0006) (WB I-74 OVER MAIN STREET)  
BRIDGE PLANS SN 090-0163 (EX SN 090-0011) (WB I-74 OVER WASHINGTON STREET)
- (5) BRIDGE PLANS SN 090-0159 (EX SN 090-0005) (WB I-74 OVER ALTORFER LANE AND TP&W RAILROAD)
- (6) BRIDGE PLANS SN 090-0156 (RAMP K-2 OVER MAIN STREET)
- (7) BRIDGE PLANS SN 090-0009 (WB I-74 OVER CAMP STREET, FARM CREEK AND TP&W RAILROAD)
- (8) RETAINING WALL SN 090-8512 (ALONG RAMP J-3)  
RETAINING WALL SN 090-8513 (ALONG RAMP K-2)

REVISIONS	
NAME	DATE

**ILLINOIS DEPARTMENT OF TRANSPORTATION  
FAI ROUTE 74 (I-74)**

**TOTAL BILL OF MATERIALS**

DRAWN BY MLS  
CHECKED BY JJM

DATE 12-20-04



Rd. 6E-11, E. 9002/1/1 ufo-58995-101185\tempo01

F.A.I. RTE.	SECTION	COUNTY	TOTAL SHEETS	SHEET NO.
74	*	TAZEWELL	1366	37
STA.		TO STA.		
FED. ROAD DIST. NO.		ILLINOIS FED. AID PROJECT		

\*09-10R-2;90(3,14,14-10R-1

**BILL OF MATERIALS FOR SET 1 OF 4**  
**FOR INFORMATION ONLY**

CODE NO.	PAY ITEM	UNIT	TOTAL QUANTITY	URBAN									
				IM 90% FED 10% STATE			BRI 80% FED 20% STATE			IM 90% FED 10% STATE			
				CONSTRUCTION TYPE CODE									
				INTERSTATE ROADWAY 3 LANE (1) J000-2A	ARTERIAL ROADWAY (2) I000-2A	ARTERIAL ROADWAY (3) J000-2A	BRIDGE (4) X281-2A	BRIDGE (5) X581-2A	BRIDGE (6) X281-2A	BRIDGE (7) X971-2A	RETAIN WALL (8) Y007	TRAFFIC SIGNALS Y031-1F	
M6010705	PIPE UNDERDRAINS 100MM (SPECIAL)	METER	1435.0	1435.0									
M6021405	MANHOLES, TYPE A, 1.2M DIAMETER, TYPE 1 FRAME, OPEN LID	EACH	1		1								
M6021410	MANHOLES, TYPE A, 1.2M DIAMETER, TYPE 1 FRAME, CLOSED LID	EACH	18	1	14	3							
M6021445	MANHOLES, TYPE A, 1.2M DIAMETER, TYPE 9 FRAME AND GRATE	EACH	2	2									
M6021485	MANHOLES, TYPE A, 1.2M DIAMETER, TYPE 37 GRATE	EACH	1		1								
M6021610	MANHOLES, TYPE A, 1.5M DIAMETER, TYPE 1 FRAME, CLOSED LID	EACH	12		11	1							
M6021805	MANHOLES, TYPE A, 1.8M DIAMETER, TYPE 1 FRAME, OPEN LID	EACH	2	2									
M6021810	MANHOLES, TYPE A, 1.8M DIAMETER, TYPE 1 FRAME, CLOSED LID	EACH	1	1									
M6021845	MANHOLES, TYPE A, 1.8M DIAMETER, TYPE 9 FRAME AND GRATE	EACH	1	1									
M6060010	CLASS SI CONCRETE (OUTLET)	CU M	10.3	2.7	1.0	6.6							
M6060260	CONCRETE GUTTER, TYPE A	METER	180.6	139.6	41.0								
M6060270	CONCRETE GUTTER, TYPE A (MODIFIED)	METER	499.7	499.7									
M6060500	COMBINATION CONCRETE CURB AND GUTTER, TYPE B-15.30	METER	452.0	84.0	368.0								
M6060600	COMBINATION CONCRETE CURB AND GUTTER, TYPE B-15.45	METER	33.0	33.0									
M6060700	COMBINATION CONCRETE CURB AND GUTTER, TYPE B-15.60	METER	3819.0	2888.0	931.0								
M6062100	COMBINATION CONCRETE CURB AND GUTTER, TYPE M-15.15	METER	10.0	10.0									
M6062400	COMBINATION CONCRETE CURB AND GUTTER, TYPE M-15.60	METER	11.0	11.0									
M6063600	CONCRETE MEDIAN SURFACE, 100MM	SQ M	1346	17	1329								
M6064100	CONCRETE MEDIAN, TYPE SB-15.30	SQ M	156		156								
M6064800	CONCRETE MEDIAN, TYPE SM	SQ M	12	12									
M6300100	STEEL PLATE BEAM GUARD RAIL, TYPE A	METER	60.96	11.43	49.53								
M6320030	GUARDRAIL REMOVAL	METER	942	703	42	197							
M6370120	CONCRETE BARRIER, DOUBLE FACE (MODIFIED)	METER	566	566									

SHEET 9 OF 15

- (1) WB I-74 STA 152+445.837 TO STA 153+892.180
- (2) MAIN STREET STA 2+800.000 TO STA 4+157.000
- (3) MAIN STREET STA 2+402.933 TO STA 2+800.000

- (4) BRIDGE PLANS SN 090-0160 (EX SN 090-0006) (WB I-74 OVER MAIN STREET)  
BRIDGE PLANS SN 090-0163 (EX SN 090-0011) (WB I-74 OVER WASHINGTON STREET)
- (5) BRIDGE PLANS SN 090-0159 (EX SN 090-0005) (WB I-74 OVER ALTORFER LANE AND TP&W RAILROAD)
- (6) BRIDGE PLANS SN 090-0156 (RAMP K-2 OVER MAIN STREET)
- (7) BRIDGE PLANS SN 090-0009 (WB I-74 OVER CAMP STREET, FARM CREEK AND TP&W RAILROAD)
- (8) RETAINING WALL SN 090-8512 (ALONG RAMP J-3)  
RETAINING WALL SN 090-8513 (ALONG RAMP K-2)

REVISIONS	
NAME	DATE

ILLINOIS DEPARTMENT OF TRANSPORTATION  
FAI ROUTE 74 (I-74)

**TOTAL BILL OF MATERIALS**



DATE 12-20-04  
 DRAWN BY MLS  
 CHECKED BY JJM

F.A.I. RTE.	SECTION	COUNTY	TOTAL SHEETS	SHEET NO.
	*	TAZEWELL	1366	38
STA.	TO STA.			
FED. ROAD DIST. NO.	ILLINOIS	FED. AID PROJECT		

\*190-11R-2;9003,4,14-1R-1

BILL OF MATERIALS FOR SET 1 OF 4  
FOR INFORMATION ONLY

CODE NO.	PAY ITEM	UNIT	TOTAL QUANTITY	URBAN									
				IM 90% FED 10% STATE		BRI 80% FED 20% STATE		IM 90% FED 10% STATE					
				CONSTRUCTION TYPE CODE									
				INTERSTATE ROADWAY 3 LANE (1) J000-2A	ARTERIAL ROADWAY (2) I000-2A	ARTERIAL ROADWAY (3) J000-2A	BRIDGE (4) X281-2A	BRIDGE (5) X581-2A	BRIDGE (6) X281-2A	BRIDGE (7) X971-2A	RETAIN WALL (8) Y007	TRAFFIC SIGNALS Y031-1F	
M6370140	CONCRETE BARRIER, SINGLE FACE (MODIFIED)	METER	1372	1372									
M6640100	CHAIN LINK FENCE, 1.2 METER	METER	192.0	192.0									
M6641920	CHAIN LINK FENCE REMOVAL	METER	165.0	165.0									
M7030100	SHORT-TERM PAVEMENT MARKING	METER	20993	20993									
M7030510	PAVEMENT MARKING TAPE, TYPE III-LETTERS AND SYMBOLS	SQ M	98	98									
M7030520	PAVEMENT MARKING TAPE, TYPE III 100MM	METER	25993	25993									
M7030540	PAVEMENT MARKING TAPE, TYPE III 150MM	METER	749	749									
M7030560	PAVEMENT MARKING TAPE, TYPE III 300MM	METER	218	218									
M7030580	PAVEMENT MARKING TAPE, TYPE III 600MM	METER	163	163									
M7031000	WORKZONE PAVEMENT MARKING REMOVAL	SQ M	5497	5497									
M7040100	TEMPORARY CONCRETE BARRIER	METER	832.65	832.65									
M7040200	RELOCATE TEMPORARY CONCRETE BARRIER	METER	155.55	155.55									
M7040400	TEMPORARY CONCRETE BARRIER (STATE OWNED)	METER	1302.35	1302.35									
M7210105	SIGN PANEL OVERLAY (SPECIAL)	SQ M	28	28									
M7800100	THERMOPLASTIC PAVEMENT MARKING - LETTERS AND SYMBOLS	SQ M	42.63		42.63								
M7800105	THERMOPLASTIC PAVEMENT MARKING - LINE 100MM	METER	5378		5378								
M7800115	THERMOPLASTIC PAVEMENT MARKING - LINE 150MM	METER	1263		1263								
M7800120	THERMOPLASTIC PAVEMENT MARKING - LINE 200MM	METER	785		785								
M7800125	THERMOPLASTIC PAVEMENT MARKING - LINE 300MM	METER	558		558								
M7800140	THERMOPLASTIC PAVEMENT MARKING - LINE 600MM	METER	85		85								
M7800600	EPOXY PAVEMENT MARKING - LETTERS AND SYMBOLS	SQ M	33.81			33.81							
M7800605	EPOXY PAVEMENT MARKING - LINE 100MM	METER	1030			1030							
M7800615	EPOXY PAVEMENT MARKING - LINE 150MM	METER	444			444							

SHEET 10 OF 15

- (1) WB I-74 STA 152+445.837 TO STA 153+892.180
- (2) MAIN STREET STA 2+800.000 TO STA 4+157.000
- (3) MAIN STREET STA 2+402.933 TO STA 2+800.000

- (4) BRIDGE PLANS SN 090-0160 (EX SN 090-0006) (WB I-74 OVER MAIN STREET)  
BRIDGE PLANS SN 090-0163 (EX SN 090-0011) (WB I-74 OVER WASHINGTON STREET)
- (5) BRIDGE PLANS SN 090-0159 (EX SN 090-0005) (WB I-74 OVER ALTORFER LANE AND TP&W RAILROAD)
- (6) BRIDGE PLANS SN 090-0156 (RAMP K-2 OVER MAIN STREET)
- (7) BRIDGE PLANS SN 090-0009 (WB I-74 OVER CAMP STREET, FARM CREEK AND TP&W RAILROAD)
- (8) RETAINING WALL SN 090-8512 (ALONG RAMP J-3)  
RETAINING WALL SN 090-8513 (ALONG RAMP K-2)

REVISIONS	
NAME	DATE



ILLINOIS DEPARTMENT OF TRANSPORTATION  
FAI ROUTE 74 (I-74)  
**TOTAL BILL OF MATERIALS**  
DRAWN BY MLS  
CHECKED BY JJM  
DATE 12-20-04

No. 61-21-E-9002/11 URP 9909-10111515 Approved

68201

F.A.I. RTE.	SECTION	COUNTY	TOTAL SHEETS	SHEET NO.
*		TAZEWELL	1366	39
STA.		TO STA.		
FED. ROAD DIST. NO.		ILLINOIS FED. AID PROJECT		

\*190-DR-2;9003,14,14-DR-1

**BILL OF MATERIALS FOR SET 1 OF 4  
FOR INFORMATION ONLY**

CODE NO.	PAY ITEM	UNIT	TOTAL QUANTITY	URBAN										
				IM 90% FED 10% STATE			BRI 80% FED 20% STATE			IM 90% FED 10% STATE				
				CONSTRUCTION TYPE CODE										
				INTERSTATE ROADWAY 3 LANE (1) J000-2A	ARTERIAL ROADWAY (2) I000-2A	ARTERIAL ROADWAY (3) J000-2A	BRIDGE (4) X281-2A	BRIDGE (5) X581-2A	BRIDGE (6) X281-2A	BRIDGE (7) X971-2A	RETAIN WALL (8) Y007	TRAFFIC SIGNALS Y031-1F		
M7800620	EPOXY PAVEMENT MARKING - LINE 200MM	METER	472			472								
M7800625	EPOXY PAVEMENT MARKING - LINE 300MM	METER	81			81								
M7800640	EPOXY PAVEMENT MARKING - LINE 600MM	METER	93			93								
M7802010	POLYUREA PAVEMENT MARKING TYPE I - LINE 100MM	METER	9399	9315		84								
M7802015	POLYUREA PAVEMENT MARKING TYPE I - LINE 150MM	METER	1896	1896										
M7802020	POLYUREA PAVEMENT MARKING TYPE I - LINE 200MM	METER	2827	2812		15								
M7802030	POLYUREA PAVEMENT MARKING TYPE I - LINE 300MM	METER	286	286										
M7802060	POLYUREA PAVEMENT MARKING TYPE I - LINE 600MM	METER	11			11								
M8100260	CONDUIT IN TRENCH, 50MM DIA., PVC	METER	2812.0											2812.0
M8100280	CONDUIT IN TRENCH, 75MM DIA., PVC	METER	36.0											36.0
M8100290	CONDUIT IN TRENCH, 90MM DIA., PVC	METER	64.0											64.0
M8101450	CONDUIT PUSHED, 50MM DIA., PVC	METER	107.0											107.0
M8101480	CONDUIT PUSHED, 90MM DIA., PVC	METER	107.0											107.0
M8110190	CONDUIT ATTACHED TO STRUCTURE, 90MM DIA., GALVANIZED STEEL	METER	6.1											6.1
M8150200	TRENCH AND BACKFILL FOR ELECTRICAL WORK	METER	1901.0											1901.0
M8170040	ELECTRIC CABLE IN CONDUIT, 600V (XLP-TYPE USE) 1/C NO. 6	METER	51.0											51.0
M8731220	ELECTRIC CABLE IN CONDUIT, SIGNAL NO. 14 3C	METER	63.0											63.0
M8731240	ELECTRIC CABLE IN CONDUIT, SIGNAL NO. 14 5C	METER	853.0											853.0
M8731250	ELECTRIC CABLE IN CONDUIT, SIGNAL NO. 14 7C	METER	244.0											244.0
M8750510	TRAFFIC SIGNAL POST, GALVANIZED STEEL 4.85 METER	EACH	3											3
M8770760	STEEL COMBINATION MAST ARM ASSEMBLY AND POLE 11.58 METER	EACH	2											2
M8780100	CONCRETE FOUNDATION, TYPE A	METER	2.7											2.7
M8780200	CONCRETE FOUNDATION, TYPE D	METER	2.2											2.2

SHEET 11 OF 15

- (1) WB I-74 STA 152+445.837 TO STA 153+892.180
- (2) MAIN STREET STA 2+800.000 TO STA 4+157.000
- (3) MAIN STREET STA 2+402.933 TO STA 2+800.000

- (4) BRIDGE PLANS SN 090-0160 (EX SN 090-0006) (WB I-74 OVER MAIN STREET)  
BRIDGE PLANS SN 090-0163 (EX SN 090-0011) (WB I-74 OVER WASHINGTON STREET)
- (5) BRIDGE PLANS SN 090-0159 (EX SN 090-0005) (WB I-74 OVER ALTORFER LANE AND TP&W RAILROAD)
- (6) BRIDGE PLANS SN 090-0156 (RAMP K-2 OVER MAIN STREET)
- (7) BRIDGE PLANS SN 090-0009 (WB I-74 OVER CAMP STREET, FARM CREEK AND TP&W RAILROAD)
- (8) RETAINING WALL SN 090-8512 (ALONG RAMP J-3)  
RETAINING WALL SN 090-8513 (ALONG RAMP K-2)

REVISIONS	
NAME	DATE

**ILLINOIS DEPARTMENT OF TRANSPORTATION  
FAI ROUTE 74 (I-74)**

**TOTAL BILL OF MATERIALS**

DRAWN BY MLS  
CHECKED BY JJM

DATE 12-20-04



F.A.I. SHEETS	SECTION	COUNTY	TOTAL SHEETS	SHEET NO.
	*	TAZEWELL	1366	40
STA.	TO STA.			
FED. ROAD DIST. NO.	ILLINOIS	FED. AID PROJECT		

\* (90-IBR-2:90013,14,14-DR-1

BILL OF MATERIALS FOR SET 1 OF 4  
FOR INFORMATION ONLY

				URBAN									
				IM 90% FED 10% STATE		BRI 80% FED 20% STATE		IM 90% FED 10% STATE					
				CONSTRUCTION TYPE CODE									
CODE NO.	PAY ITEM	UNIT	TOTAL QUANTITY	INTERSTATE ROADWAY 3 LANE (1) J000-2A	ARTERIAL ROADWAY (2) I000-2A	ARTERIAL ROADWAY (3) J000-2A	BRIDGE (4) X281-2A	BRIDGE (5) X581-2A	BRIDGE (6) X281-2A	BRIDGE (7) X971-2A	RETAIN WALL (8) Y007	TRAFFIC SIGNALS (9) Y031-1F	
M8780400	CONCRETE FOUNDATION, TYPE E 750MM DIAMETER	METER	3.0									3.0	
MX030199	TEMPORARY PAVEMENT	SQ M	12378	6525		5853							
MX030345	LIGHTWEIGHT CELLULAR CONCRETE FILL	CU M	51.7								51.7		
MX030396	FILL EXISTING STORM SEWERS	CU M	99.5		99.5								
MX030472	FORM LINER GRID AND FIN SURFACE	SQ M	1492								1492		
MX032134	BRACED EXCAVATION	CU M	443				165			278			
MX032138	PIPE ELBOW 600MM	EACH	6	6									
MX032186	PIPE ELBOW 300MM	EACH	25	25									
MX032188	CLASS SI CONCRETE, SPECIAL	CU M	154.2	154.2									
MX032693	REMOVE TEMPORARY CONCRETE BARRIER, STATE OWNED	METER	2025.20	2025.20									
MX033109	DRILLING AND SETTING SOLDIER PILES	CU M	749.0								749.0		
MX033182	APPLY DUST SUPPRESSION AGENTS	UNIT	1125	627	352	146							
MX033183	SOIL STABILIZERS	KG	36818	13500	18134	5184							
MX033192	AGGREGATE SUBBASE	M TON	19081	18355	726								
MX033194	WHITEWASH	SQ M	24710	24710									
MX033462	REMOVAL AND DISPOSAL OF TEMPORARY CONCRETE BARRIER (STATE OWNED)	METER	707.60	707.60									
MX203010	SPECIAL EXCAVATION	CU M	11470		5900	5570							
MX406024	BITUMINOUS CONCRETE SURFACE COURSE, SUPERPAVE, MIX "D", N70	M TON	3419		3419								
MX406216	BITUMINOUS CONCRETE BINDER COURSE, SUPERPAVE, IL-19.0, N70	M TON	6555		6555								
MX406295	BITUMINOUS CONCRETE BINDER COURSE, SUPERPAVE, IL - 19.0L (LOW ESAL)	M TON	7659	7656		3							
MX500133	FLOATING BEARINGS, FIXED-1850KN	EACH	4						4				
MX500325	FLOATING BEARINGS, GUIDED EXPANSION, 1500KN	EACH	20						8	12			
MX500335	FLOATING BEARINGS, GUIDED EXPANSION, 2000KN	EACH	4						4				
MX504002	FURNISHING AND ERECTING PRECAST PRESTRESSED CONCRETE BULB T-BEAMS, 1829MM	METER	380				380						

SHEET 12 OF 15

- (1) WB I-74 STA 152+445.837 TO STA 153+892.180
- (2) MAIN STREET STA 2+800.000 TO STA 4+157.000
- (3) MAIN STREET STA 2+402.933 TO STA 2+800.000

- (4) BRIDGE PLANS SN 090-0160 (EX SN 090-0006) (WB I-74 OVER MAIN STREET)  
BRIDGE PLANS SN 090-0163 (EX SN 090-0011) (WB I-74 OVER WASHINGTON STREET)
- (5) BRIDGE PLANS SN 090-0159 (EX SN 090-0005) (WB I-74 OVER ALTORFER LANE AND TP&W RAILROAD)
- (6) BRIDGE PLANS SN 090-0156 (RAMP K-2 OVER MAIN STREET)
- (7) BRIDGE PLANS SN 090-0009 (WB I-74 OVER CAMP STREET, FARM CREEK AND TP&W RAILROAD)
- (8) RETAINING WALL SN 090-8512 (ALONG RAMP J-3)  
RETAINING WALL SN 090-8513 (ALONG RAMP K-2)

REVISIONS	
NAME	DATE



ILLINOIS DEPARTMENT OF TRANSPORTATION  
FAI ROUTE 74 (I-74)

TOTAL BILL OF MATERIALS

DATE 12-20-04

DRAWN BY MLS  
CHECKED BY JJM



F.A.I. RTE.	SECTION	COUNTY	TOTAL SHEETS	SHEET NO.
	*	TAZEWELL	1366	41
STA.		TO STA.		
FED. ROAD DIST. NO.		ILLINOIS FED. AID PROJECT		

\*90-11R-2;90(13,14,14-DR-1

BILL OF MATERIALS FOR SET 1 OF 4  
FOR INFORMATION ONLY

					URBAN									
					IM 90% FED 10% STATE		BRI 80% FED 20% STATE			IM 90% FED 10% STATE				
					CONSTRUCTION TYPE CODE									
CODE NO.	PAY ITEM	UNIT	TOTAL QUANTITY		INTERSTATE ROADWAY 3 LANE (1) J000-2A	ARTERIAL ROADWAY (2) I000-2A	ARTERIAL ROADWAY (3) J000-2A	BRIDGE (4) X281-2A	BRIDGE (5) X581-2A	BRIDGE (6) X281-2A	BRIDGE (7) X971-2A	RETAIN WALL (8) Y007	TRAFFIC SIGNALS Y031-1F	
MX509025	ALUMINUM RAILING, TYPE H, SPECIAL	METER	117.0					117.0						
MX602751	INLET-MANHOLE, TYPE G-1, 1.2M DIAMETER, SPECIAL	EACH	5			5								
MX602756	INLET-MANHOLE, TYPE G-1, 1.5M DIAMETER, SPECIAL	EACH	22			20	2							
MX637112	CONCRETE BARRIER TRANSITION (MODIFIED)	METER	10		10									
MX704200	REMOVE TEMPORARY CONCRETE BARRIER	METER	832.65		832.65									
MX720100	TEMPORARY SIGN PANEL ASSEMBLY	SQ M	32.3		32.3									
MX721010	COMPOSITE TEMPORARY SIGN OVERLAY	SQ M	22		22									
MX871055	FIBER OPTIC CABLE IN CONDUIT, NO. 62.5/125, MM12F SM12F	METER	1516.0										1516.0	
MX877017	STEEL COMBINATION MAST ARM ASSEMBLY AND POLE 15.85 METER	EACH	1										1	
MX877020	STEEL COMBINATION MAST ARM ASSEMBLY AND POLE 16.76 METER	EACH	3										3	
MX878030	CONCRETE FOUNDATION, TYPE E 900MM DIAMETER	METER	25										25	
MZ008830	DRILLED SHAFT IN SOIL, 915MM	METER	25.5							25.5				
MZ008880	DRILLED SHAFT IN SOIL, 1830MM	METER	1.0							1.0				
MZ008930	DRILLED SHAFT IN ROCK, 760MM	METER	20.5							20.5				
MZ008980	DRILLED SHAFT IN ROCK, 1830MM	METER	16.5							16.5				
MZ017205	DOWEL BARS 38MM	EACH	1133		21	1112								
MZ022400	FABRIC REINFORCED ELASTOMERIC TROUGH	METER	36.9							17.5	19.4			
MZ047300	PROTECTIVE SHIELD	SQ M	2959				1099	310			1550			
X0301840	DRILL AND GROUT #35 TIE BARS	EACH	1308		196	1112								
X0321809	PERMANENT GROUND ANCHOR	EACH	204									204		
X0323481	VIDEO VEHICLE DETECTION, 4 CAMERAS	EACH	2										2	
X0323639	INSTALL BOLLARD AND LUMINAIRES	EACH	4				4							

SHEET 13 OF 15

- (1) WB I-74 STA 152+445.837 TO STA 153+892.180
- (2) MAIN STREET STA 2+800.000 TO STA 4+157.000
- (3) MAIN STREET STA 2+402.933 TO STA 2+800.000

- (4) BRIDGE PLANS SN 090-0160 (EX SN 090-0006) (WB I-74 OVER MAIN STREET)  
BRIDGE PLANS SN 090-0163 (EX SN 090-0011) (WB I-74 OVER WASHINGTON STREET)
- (5) BRIDGE PLANS SN 090-0159 (EX SN 090-0005) (WB I-74 OVER ALTORFER LANE AND TP&W RAILROAD)
- (6) BRIDGE PLANS SN 090-0156 (RAMP K-2 OVER MAIN STREET)
- (7) BRIDGE PLANS SN 090-0009 (WB I-74 OVER CAMP STREET, FARM CREEK AND TP&W RAILROAD)
- (8) RETAINING WALL SN 090-8512 (ALONG RAMP J-3)  
RETAINING WALL SN 090-8513 (ALONG RAMP K-2)

REVISIONS	
NAME	DATE



ILLINOIS DEPARTMENT OF TRANSPORTATION  
FAI ROUTE 74 (I-74)

TOTAL BILL OF MATERIALS

DATE 12-20-04

DRAWN BY MLS  
CHECKED BY JJM

11/13/04 10:58 AM 01/17/2005 04:47:26 PM

11/17/2005 3:06:27 PM

F.A.I. RTE.	SECTION	COUNTY	TOTAL SHEETS	SHEET NO.
*	TAZEWELL	1366	42	
STA.	TO STA.			
FED. ROAD DIST. NO.	ILLINOIS	FED. AID PROJECT		

\*190-10R-2;90(13,14,14-10R-1

**BILL OF MATERIALS FOR SET 1 OF 4  
FOR INFORMATION ONLY**

CODE NO.	PAY ITEM	UNIT	TOTAL QUANTITY	URBAN									
				IM 90% FED 10% STATE			BRI 80% FED 20% STATE			IM 90% FED 10% STATE			
				CONSTRUCTION TYPE CODE									
				INTERSTATE ROADWAY 3 LANE (1) J000-2A	ARTERIAL ROADWAY (2) I000-2A	ARTERIAL ROADWAY (3) J000-2A	BRIDGE (4) X281-2A	BRIDGE (5) X581-2A	BRIDGE (6) X281-2A	BRIDGE (7) X971-2A	RETAIN WALL (8) Y007	TRAFFIC SIGNALS Y031-1F	
X0323677	STREET SWEEPING	HOOR	767	462	251	54							
X0323678	DUST CONTROL PADS	EACH	62	36	21	5							
X0323778	DRAINAGE SCUPPERS, TYPE 1	EACH	16				4		5	7			
X0323779	DRAINAGE SCUPPERS, TYPE 2	EACH	2				2						
X0323830	DRAINAGE SCUPPERS, DS-11	EACH	7					7					
X0323989	REINSTALL TEMPORARY SIGN PANEL ASSEMBLY	EACH	28	28									
X0324134	BATTERY BACKUP SYSTEM WITH CABINET	EACH	3										3
X0349800	CONCRETE HEADWALL FOR PIPE UNDERDRAIN REMOVAL	EACH	2	2									
X0504200	CONCRETE HEADWALL	EACH	3	3									
X0976500	END SECTIONS TO BE REMOVED	EACH	19	6	10	3							
X6020065	INLETS, TYPE G-1, DOUBLE (SPECIAL)	EACH	6		5	1							
X7015000	CHANGEABLE MESSAGE SIGN	CAL MO	84	28	28	28							
X8800020	SIGNAL HEAD , LED, 1-FACE, 3-SECTION, MAST-ARM MOUNTED	EACH	18										18
X8800035	SIGNAL HEAD , LED, 1-FACE, 3-SECTION, BRACKET MOUNTED	EACH	7										7
X8800038	SIGNAL HEAD , LED, 1-FACE, 4-SECTION, MAST ARM MOUNTED	EACH	1										1
X8800040	SIGNAL HEAD , LED, 1-FACE, 5-SECTION, BRACKET MOUNTED	EACH	4										4
X8810610	PEDESTRIAN SIGNAL HEAD, LED, 1-FACE, BRACKET MOUNTED	EACH	2										2
Z0000100	ABANDON EXISTING CULVERT	EACH	1	1									
Z0002600	BAR SPLICERS	EACH	514				183	172	61	98			
Z0018800	DRAINAGE SYSTEM	L SUM	1					0.19	0.67	0.14			
Z0024478	FLEXIBLE DELINEATORS	EACH	309	309									
Z0030020	IMPACT ATTENUATORS (FULLY REDIRECTIVE, NARROW) TEST LEVEL 2	EACH	2	2									
Z0030030	IMPACT ATTENUATORS (FULLY REDIRECTIVE, NARROW) TEST LEVEL 3	EACH	3	3									

- |  |  |
|--|--|
| (1) WB I-74 STA 152+445.837 TO STA 153+892.180 | (4) BRIDGE PLANS SN 090-0160 (EX SN 090-0006) (WB I-74 OVER MAIN STREET)                     |
| (2) MAIN STREET STA 2+800.000 TO STA 4+157.000 | BRIDGE PLANS SN 090-0163 (EX SN 090-0011) (WB I-74 OVER WASHINGTON STREET)                   |
|  | (5) BRIDGE PLANS SN 090-0159 (EX SN 090-0005) (WB I-74 OVER ALTORFER LANE AND TP&W RAILROAD) |
|  | (6) BRIDGE PLANS SN 090-0156 (RAMP K-2 OVER MAIN STREET)                                     |
| (3) MAIN STREET STA 2+402.933 TO STA 2+800.000 | (7) BRIDGE PLANS SN 090-0009 (WB I-74 OVER CAMP STREET, FARM CREEK AND TP&W RAILROAD)        |
|  | (8) RETAINING WALL SN 090-8512 (ALONG RAMP J-3)  |
|  | RETAINING WALL SN 090-8513 (ALONG RAMP K-2)  |

REVISIONS	
NAME	DATE

**ILLINOIS DEPARTMENT OF TRANSPORTATION  
FAI ROUTE 74 (I-74)**

**TOTAL BILL OF MATERIALS**

DRAWN BY MLS  
CHECKED BY JJM

DATE 12-20-04



F.A.I. RTE.	SECTION	COUNTY	TOTAL SHEETS	SHEET NO.
	*	TAZEWELL	1366	143
STA.	TO STA.			
FED. ROAD DIST. NO.	ILLINOIS		FED. AID PROJECT	

\* (90-IDR-2,9003,14,14-DR-1)

BILL OF MATERIALS FOR SET 1 OF 4  
FOR INFORMATION ONLY

CODE NO.	PAY ITEM	UNIT	TOTAL QUANTITY	URBAN									
				IM 90% FED 10% STATE		BRI 80% FED 20% STATE		IM 90% FED 10% STATE					
				CONSTRUCTION TYPE CODE									
				INTERSTATE ROADWAY 3 LANE (1) J000-2A	ARTERIAL ROADWAY (2) I000-2A	ARTERIAL ROADWAY (3) J000-2A	BRIDGE (4) X281-2A	BRIDGE (5) X581-2A	BRIDGE (6) X281-2A	BRIDGE (7) X971-2A	RETAIN WALL (8) Y007	TRAFFIC SIGNALS Y031-1F	
Z0030250	IMPACT ATTENUATORS, TEMPORARY (NON-REDIRECTIVE), TEST LEVEL 3	EACH	1		1								
Z0030350	IMPACT ATTENUATORS, RELOCATE (NON-REDIRECTIVE), TEST LEVEL 3	EACH	1		1								
Z0031405	JACKING AND SHORING EXISTING GIRDERS	L SUM	1								1		
Z0064540	SEEPAGE COLLAR	EACH	17		17								
Z0076870	UNDERDRAIN CONNECTION TO STRUCTURE	EACH	23		23								
*4001602	DRILLED SHAFT IN SOIL, 1980MM	METER	4.5							4.5			
*4001620	LIGHT POLE, GALVANIZED STEEL, 13.5 M M.H., 4.5 M DAVIT ARM	EACH	1										1
*4001621	STORM SEWER CLASS A, TYPE 1 750MM EQUIVALENT	METER	32			32							

SHEET 15 OF 15

- (1) WB I-74 STA 152+445.837 TO STA 153+892.180
- (2) MAIN STREET STA 2+800.000 TO STA 4+157.000
- (3) MAIN STREET STA 2+402.933 TO STA 2+800.000

- (4) BRIDGE PLANS SN 090-0160 (WB I-74 OVER MAIN STREET)  
BRIDGE PLANS SN 090-0163 (WB I-74 OVER WASHINGTON STREET)
- (5) BRIDGE PLANS SN 090-0159 (WB I-74 OVER ALTORFER LANE AND TP&W RAILROAD)
- (6) BRIDGE PLANS SN 090-0156 (RAMP K-2 OVER MAIN STREET)
- (7) BRIDGE PLANS SN 090-0009 (WB I-74 OVER CAMP STREET, FARM CREEK AND TP&W RAILROAD)
- (8) RETAINING WALL SN 090-8512 (ALONG RAMP J-3)  
RETAINING WALL SN 090-8513 (ALONG RAMP K-2)

REVISIONS	
NAME	DATE



ILLINOIS DEPARTMENT OF TRANSPORTATION  
FAI ROUTE 74 (I-74)  
  
TOTAL BILL OF MATERIALS  
  
DRAWN BY MLS  
CHECKED BY JJM  
DATE 12-20-04

11/17/2005 10:41:44 AM

SCHEDULE OF CONFLICTING UTILITIES - (MAIN LINE)  
 I-74 WEST BOUND

OWNER	ROUTE/STREET	OFFSET	STATION	TYPE OF UTILITY	TYPE OF CONFLICT	DISPOSITION	ADDRESS	PHONE NO.	CONTACT	REMARKS
AT&T	I-74 (WB)	RUNS PERPENDICULAR TO C	152+681	F.O. CABLE	BRIDGE FDN.	CAUTION	AT&T	(630) 240-1373	DAVID BUGGAR	-
CITY OF EAST PEORIA (SANITARY)	I-74 (WB)	RUNS PERPENDICULAR TO C	152+677	100mm SANITARY FORCE MAIN	BRIDGE FDN.	CAUTION	CITY OF EAST PEORIA (SANITARY)	(309) 698-4716	JACKIE HARMANN	-
WILLIAMS COMMUNICATIONS	I-74 (WB)	RUNS PERPENDICULAR TO C	152+692	F.O. CABLE	BRIDGE FDN.	CAUTION	WILLIAMS COMMUNICATIONS	(630) 375-5877	JOE PROTSMAN	-
MCLEOD	I-74 (WB)	RUNS PERPENDICULAR TO C	153+026	F.O. CABLE	BRIDGE FDN.	CAUTION	MCLEOD	(217) 876-7194	CARL ATTEBERRY	-
INSIGHT	I-74 (WB)	RUNS PERPENDICULAR TO C	153+032	CABLE T.V.	BRIDGE FDN.	CAUTION	INSIGHT	(309) 686-2677	BRUCE VON BRETHORST	-
CITY OF EAST PEORIA (WATER)	I-74 (WB)	RUNS PERPENDICULAR TO C	153+037	250mm WATER MAIN	BRIDGE FDN.	CAUTION	CITY OF EAST PEORIA (WATER)	(309) 698-4716	STEVE FURGUSON	-
AMEREN CILCO (GAS)	I-74 (WB)	RUNS PERPENDICULAR TO C	153+064	300mm GAS	BRIDGE FDN.	CAUTION	AMEREN CILCO (GAS)	(309) 444-7915	REED COOLING	-
AT&T	I-74 (WB)	RUNS PERPENDICULAR TO C	153+085	F.O. CABLE	BRIDGE FDN.	CAUTION	AT&T	(630) 240-1373	DAVID BUGGAR	-
AMEREN CILCO (ELECTRIC)	I-74 (WB)	4m± RT - 15m± LT	153+502± to 153+506±	ELECTRIC DUCTS	PIER FOUNDATION	RELOCATE	AMEREN CILCO (ELECTRIC)	(309) 693-4731	DAN URBANIAK	-
SPRINT	I-74 (WB)	RUNS PERPENDICULAR TO C	153+603	F.O. CABLE	BRIDGE FDN.	CAUTION	SPRINT	(800) 521-0579	TBD	-
AT&T	I-74 (WB)	RUNS PERPENDICULAR TO C	153+606	F.O. CABLE	BRIDGE FDN.	CAUTION	AT&T	(630) 240-1373	DAVID BUGGAR	-
INSIGHT	I-74 (WB)	RUNS PERPENDICULAR TO C	153+712	CABLE T.V.	BRIDGE FDN.	CAUTION	INSIGHT	(309) 686-2677	BRUCE VON BRETHORST	-
CITY OF EAST PEORIA (WATER)	I-74 (WB)	RUNS PERPENDICULAR TO C	153+841	WATER MAIN	BRIDGE FDN.	CAUTION	CITY OF EAST PEORIA (WATER)	(309) 698-4716	STEVE FURGUSON	-
INSIGHT	I-74 (WB)	4m± RT - 15m± LT	153+837±	BURIED DUCT W/ CABLE	BURIED ABUTMENT	RELOCATE	INSIGHT	(309) 686-2677	BRUCE VON BRETHORST	-
CITY OF EAST PEORIA (SANITARY)	I-74 (WB)	18m± LT - 4m± RT	153+851± to 153+852±	750mm SANITARY MAIN	PIER FOUNDATION	CAUTION	CITY OF EAST PEORIA (SANITARY)	(309) 698-4716	JACKIE HARMANN	-
AMEREN CILCO (GAS)	I-74 (WB)	RUNS PERPENDICULAR TO C	153+854	100MM GAS MAIN	BRIDGE FDN./PIER	RELOCATE	AMEREN CILCO (GAS)	(309) 444-7915	REED COOLING	-
MCLEOD	I-74 (WB)	RUNS PERPENDICULAR TO C	153+856	F.O. CABLE	BRIDGE FDN./PIER	RELOCATE	MCLEOD	(217) 876-7194	CARL ATTEBERRY	-
CITY OF EAST PEORIA (SANITARY)	I-74 (WB)	18m± LT - 14m± RT	153+857±	375mm SANITARY MAIN	PIER	RELOCATED/ ABANDONED	CITY OF EAST PEORIA (SANITARY)	(309) 698-4716	JACKIE HARMANN	-
CITY OF EAST PEORIA (SANITARY)	I-74 (WB)	24.1m LT - 16.0m RT	153+650 to 153+720	350 SANITARY	PIER	CAUTION	CITY OF EAST PEORIA (SANITARY)	(309) 698-4716	JACKIE HARMANN	-

SCHEDULE OF CONFLICTING UTILITIES - (MAIN LINE)  
 I-74 RAMP J-3, EXIT (STA. 10+000 TO STA. 10+400)

OWNER	ROUTE/STREET	OFFSET	STATION	TYPE OF UTILITY	TYPE OF CONFLICT	DISPOSITION	ADDRESS	PHONE NO.	CONTACT	REMARKS
AT&T	RAMP J-3 EXIT	RUNS PERPENDICULAR TO C	10+351	F.O. CABLE	PAV'T CONST.	CAUTION	AT&T	(630) 240-1373	DAVID BUGGAR	-

SCHEDULE OF CONFLICTING UTILITIES - (MAIN LINE)  
 I-74 RAMP J-4, EXIT (STA. 10+000 TO STA. 10+600)

OWNER	ROUTE/STREET	OFFSET	STATION	TYPE OF UTILITY	TYPE OF CONFLICT	DISPOSITION	ADDRESS	PHONE NO.	CONTACT	REMARKS
MCLEOD	RAMP J-4 ENT.	RUNS PERPENDICULAR TO C	10+022	F.O. CABLE	PAV'T CONST./CUT	CAUTION	MCLEOD	(217) 876-7194	CARL ATTEBERRY	-
CITY OF EAST PEORIA (WATER)	RAMP J-4 ENT.	RUNS PERPENDICULAR TO C	10+030	250mm WATER MAIN	PAV'T CONST.	CAUTION	CITY OF EAST PEORIA (WATER)	(309) 698-4716	STEVE FURGUSON	-
SBC	RAMP J-4 ENT.	RUNS PERPENDICULAR TO C	10+295	TELEPHONE	PAV'T CONST.	CAUTION	SBC	(217) 789-8883	RICH WEINGAND	-
CITY OF EAST PEORIA (WATER)	RAMP J-4 ENT.	RUNS PERPENDICULAR TO C	10+296	300mm WATER MAIN	PAV'T CONST.	CAUTION	CITY OF EAST PEORIA (WATER)	(309) 698-4716	STEVE FURGUSON	-

SCHEDULE OF CONFLICTING UTILITIES - (MAIN LINE)  
 I-74 RAMP K-2, EXIT (STA. 10+000 TO STA. 10+900)

OWNER	ROUTE/STREET	OFFSET	STATION	TYPE OF UTILITY	TYPE OF CONFLICT	DISPOSITION	ADDRESS	PHONE NO.	CONTACT	REMARKS
AT&T	RAMP K-2 EXIT	RUNS PERPENDICULAR TO C	10+572	F.O. CABLE	BRIDGE FDN.	CAUTION	AT&T	(630) 240-1373	DAVID BUGGAR	-
AMEREN CILCO (GAS)	RAMP K-2 EXIT	RUNS PERPENDICULAR TO C	10+592	300mm GAS	BRIDGE FDN.	CAUTION	AMEREN CILCO (GAS)	(309) 444-7915	REED COOLING	-
CITY OF EAST PEORIA (WATER)	RAMP K-2 EXIT	RUNS PERPENDICULAR TO C	10+619	250mm WATER MAIN	BRIDGE FDN.	CAUTION	CITY OF EAST PEORIA (WATER)	(309) 698-4716	STEVE FURGUSON	-
INSIGHT	RAMP K-2 EXIT	RUNS PERPENDICULAR TO C	10+824	CABLE T.V.	BRIDGE FDN.	CAUTION	INSIGHT	(309) 686-2677	BRUCE VON BRETHORST	-
MCLEOD	RAMP K-2 EXIT	RUNS PERPENDICULAR TO C	10+630	F.O. CABLE	BRIDGE FDN.	CAUTION	MCLEOD	(217) 876-7194	CARL ATTEBERRY	-

REVISIONS	
NAME	DATE

ILLINOIS DEPARTMENT OF TRANSPORTATION

STATUS OF UTILITIES  
 TO BE ADJUSTED  
 SHEET 1 OF 2

DRAWN BY JAM

DATE 12/20/04

CHECKED BY MJS



F.A.I. RTE.	SECTION	COUNTY	TOTAL SHEETS	SHEET NO.
74	*	TAZEWELL	1366	45
STA.		TO STA.		
FED. ROAD DIST. NO. 4		ILLINOIS FED. AID PROJECT		

• (90-111R-2;90(13,14,14-1)R-1

SCHEDULE OF CONFLICTING UTILITIES - (OFF SYSTEM)  
MAIN STREET

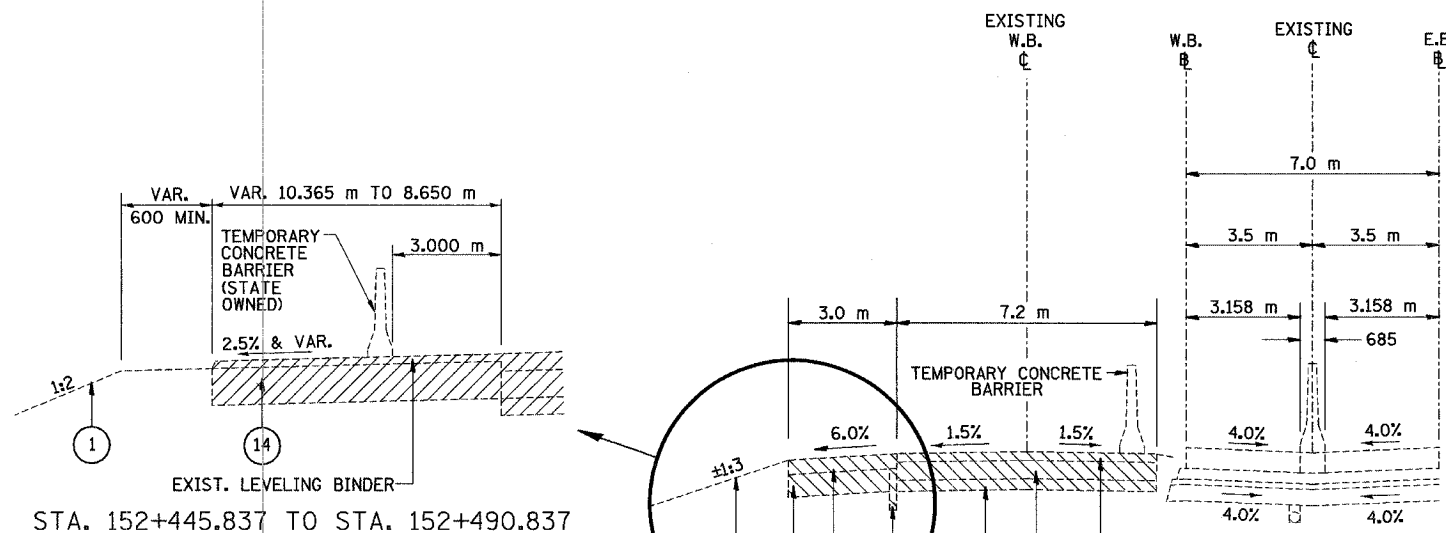
OWNER	ROUTE/STREET	OFFSET	STATION	TYPE OF UTILITY	TYPE OF CONFLICT	DISPOSITION	ADDRESS	PHONE NO.	CONTACT	REMARKS
SBC	MAIN STREET	15.1m LT - 9.5m LT	2+400.00 to 4+025.00	TELEPHONE DUCT	PAV'T CONST/STORM SEWER	RELOCATE	SBC	(217) 789-8883	RICH WEINGAND	
AMEREN CILCO (GAS)	MAIN STREET	11.1m RT - 15.8m RT	2+203.00 to 4+150.00	300mm GAS	PAV'T CONST./C & G/INLET/STORM SEWER/MANHOLE	RELOCATE	AMEREN CILCO (GAS)	(309) 444-7915	REED COOLING	
CITY OF EAST PEORIA (WATER)	MAIN STREET	4.6m LT - 15.8m RT	2+400.00 to 3+000.00	150mm WATER	MANHOLE/ PAV'T CONST./STORM SEWER	CAUTION	CITY OF EAST PEORIA (WATER)	(309) 698-4716	STEVE FURGUSON	
INSIGHT	MAIN STREET	18.5m LT - 15.4m LT	2+400.00 to 2+490.00	CABLE T.V.	PAV'T CONST.	RELOCATE	INSIGHT	(309) 686-2677	BRUCE VON BRETHORST	
AMEREN CILCO (ELECTRIC)	MAIN STREET	15m± LT - 15m± RT	2+403± to 2+489±	AERIAL ELECTRIC	BRIDGE	RELOCATE	AMEREN CILCO (ELECTRIC)	(309) 693-4731	DAN URBANIAK	
AMEREN CILCO (ELECTRIC)	MAIN STREET	28m± RT	2+445±	POWER POLE	CULVERT/ DITCH/ CUT	RELOCATE	AMEREN CILCO (ELECTRIC)	(309) 693-4731	DAN URBANIAK	
AMEREN CILCO (ELECTRIC)	MAIN STREET	24.5m± RT	2+450±	POWER POLE	STORM SEWER	CAUTION	AMEREN CILCO (ELECTRIC)	(309) 693-4731	DAN URBANIAK	
AMEREN CILCO (ELECTRIC)	MAIN STREET	15m± LT	2+489±	POWER POLE	PAVEMENT	RELOCATE	AMEREN CILCO (ELECTRIC)	(309) 693-4731	DAN URBANIAK	
AMEREN CILCO (ELECTRIC)	MAIN STREET	15m± RT	2+572±	POWER POLE	PAVEMENT	RELOCATE	AMEREN CILCO (ELECTRIC)	(309) 693-4731	DAN URBANIAK	
SBC	MAIN STREET	9.6m LT - 8.0m LT	2+660.00 to 3+850.00	TELEPHONE CABLE/VANHOLE	PAV'T CONST.	RELOCATE	SBC	(217) 789-8883	RICH WEINGAND	
SBC	MAIN STREET	11.2m LT - 39.0m LT	2+665.00 to 2+680.00	F.O. CABLE	PAV'T CONST/STORM SEWER	RELOCATE	SBC	(217) 789-8883	RICH WEINGAND	
AMEREN CILCO (ELECTRIC)	MAIN STREET	18m± RT	2+691±	POWER POLE	MANHOLE	CAUTION	AMEREN CILCO (ELECTRIC)	(309) 693-4731	DAN URBANIAK	
AMEREN CILCO (ELECTRIC)	MAIN STREET	42m± LT	2+691±	POWER POLE	CCC & G	RELOCATE	AMEREN CILCO (ELECTRIC)	(309) 693-4731	DAN URBANIAK	
CITY OF EAST PEORIA (WATER)	MAIN STREET	7m± RT	2+694±	WATER VALVE	PAVEMENT	RELOCATE	CITY OF EAST PEORIA (WATER)	(309) 698-4716	STEVE FURGUSON	
AMEREN CILCO (GAS)	MAIN STREET	14.0m RT - 21.8m RT	2+698.00 to 2+890.00	50mm GAS	STORM SEWER/PAV'T CONST./ C & G	RELOCATE	AMEREN CILCO (GAS)	(309) 444-7915	REED COOLING	
AMEREN CILCO (ELECTRIC)	MAIN STREET	18m± RT	2+734±	POWER POLE	CCC & G	RELOCATE	AMEREN CILCO (ELECTRIC)	(309) 693-4731	DAN URBANIAK	
CITY OF EAST PEORIA (WATER)	MAIN STREET	22m± LT	2+750±	250mm WATER MAIN	CULVERT	CAUTION	CITY OF EAST PEORIA (WATER)	(309) 698-4716	STEVE FURGUSON	
CITY OF EAST PEORIA (WATER)	MAIN STREET	12m± RT	2+775±	WATER VALVE	PAVEMENT	RELOCATE	CITY OF EAST PEORIA (WATER)	(309) 698-4716	STEVE FURGUSON	
AMEREN CILCO (ELECTRIC)	MAIN STREET	18m± RT	2+778±	POWER POLE	GUTTER	RELOCATE	AMEREN CILCO (ELECTRIC)	(309) 693-4731	DAN URBANIAK	
CITY OF EAST PEORIA (WATER)	MAIN STREET	14m± RT	2+782±	WATER VALVE	GUTTER, STORM SEWER	RELOCATE	CITY OF EAST PEORIA (WATER)	(309) 698-4716	STEVE FURGUSON	
CITY OF EAST PEORIA (SANITARY)	MAIN STREET	13m± RT - 14m± RT	2+794± to 2+809±	250mm SANITARY MAIN	PAVEMENT/ CCC & G	RELOCATE	CITY OF EAST PEORIA (SANITARY)	(309) 698-4716	JACKIE HARMANN	
AMEREN CILCO (ELECTRIC)	MAIN STREET	18m± LT	2+824±	POWER POLE	STORM SEWER	CAUTION/ SUPPORT	AMEREN CILCO (ELECTRIC)	(309) 693-4731	DAN URBANIAK	
SBC	MAIN STREET	17.9m RT - 21.3m RT	2+920.00 to 2+975.00	TELEPHONE CABLE	PAV'T CONST/STORM SEWER	RELOCATE	SBC	(217) 789-8883	RICH WEINGAND	
AMEREN CILCO (GAS)	MAIN STREET	13m± RT	2+930±	100mm MAIN IN 200mm CASING	INLET	RELOCATE	AMEREN CILCO (GAS)	(309) 444-7915	REED COOLING	
AMEREN CILCO (ELECTRIC)	MAIN STREET	30m± LT	2+941±	POWER POLE	CCC & G/ GRADING	CAUTION	AMEREN CILCO (ELECTRIC)	(309) 693-4731	DAN URBANIAK	
CITY OF EAST PEORIA (SANITARY)	MAIN STREET	17m± RT - 13.5m± LT	3+479± to 3+497±	SANITARY SEWER LINE	PAVEMENT	CAUTION/ RELOCATE	CITY OF EAST PEORIA (SANITARY)	(309) 698-4716	JACKIE HARMANN	
AMEREN CILCO (GAS)	MAIN STREET	21m± RT - 20m± RT	3+656± to 3+700±	100mm GAS MAIN	MANHOLES/ STORM SEWER	RELOCATE	AMEREN CILCO (GAS)	(309) 444-7915	REED COOLING	
CITY OF EAST PEORIA (WATER)	MAIN STREET	16.5m± RT - 15.5m± RT	3+705± to 3+733±	300mm WATER MAIN	PAVEMENT	RELOCATE	CITY OF EAST PEORIA (WATER)	(309) 698-4716	STEVE FURGUSON	
AMEREN CILCO (ELECTRIC)	MAIN STREET	23.5m± RT	3+763±	POWER POLE	GRADING	CAUTION	AMEREN CILCO (ELECTRIC)	(309) 693-4731	DAN URBANIAK	
AMEREN CILCO (GAS)	MAIN STREET	14.0± RT	3+773.00	25mm GAS	PAV'T CONST.	CAUTION	AMEREN CILCO (GAS)	(309) 444-7915	REED COOLING	
AMEREN CILCO (ELECTRIC)	MAIN STREET	17m± RT	3+864±	POWER POLE GUY	MANHOLE/ STORM SEWER	RELOCATE	AMEREN CILCO (ELECTRIC)	(309) 693-4731	DAN URBANIAK	

NOTES: CUT DIMENSION IS DISTANCE FROM TOP OF UTILITY TO BOTTOM OF PROPOSED BASE.  
AATUR = ABANDONED ACCORDING TO UTILITY RECORDS  
SBC IS CALLED OUT AS AMERITECH ON THE PLAN SHEETS.

REVISIONS		ILLINOIS DEPARTMENT OF TRANSPORTATION
NAME	DATE	
		<p>STATUS OF UTILITIES TO BE ADJUSTED</p> <p>SHEET 2 OF 2</p> <p>DRAWN BY JAM CHECKED BY MJS</p> <p>DATE 12/20/04</p>



F.A.I. RTE.	SECTION	COUNTY	TOTAL SHEETS	SHEET NO.
74	*	TAZEWELL	1366	46
STA.		TO STA.		
FED. ROAD DIST. NO.		ILLINOIS FED. AID PROJECT		
* (90-11R-2; 90(13,14,14-1R-1				

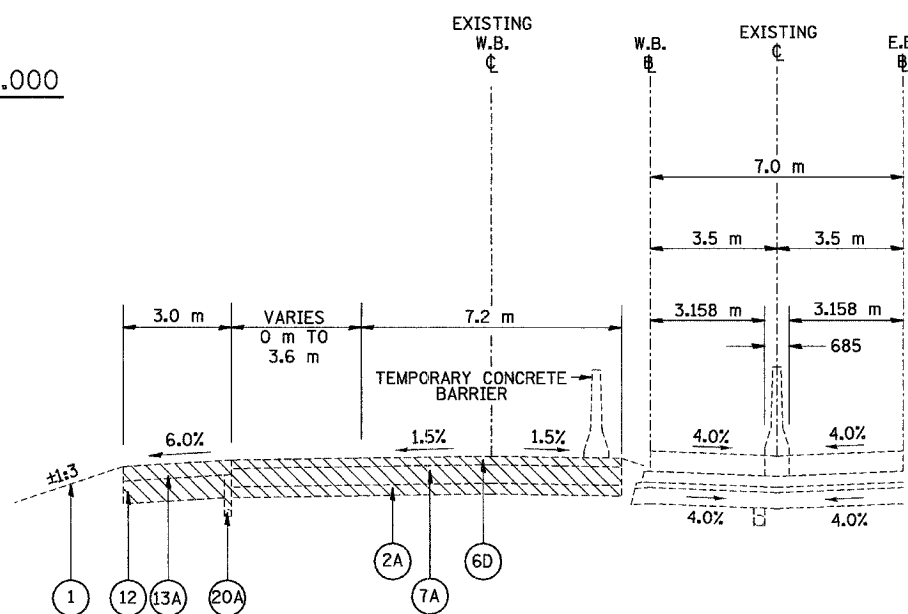
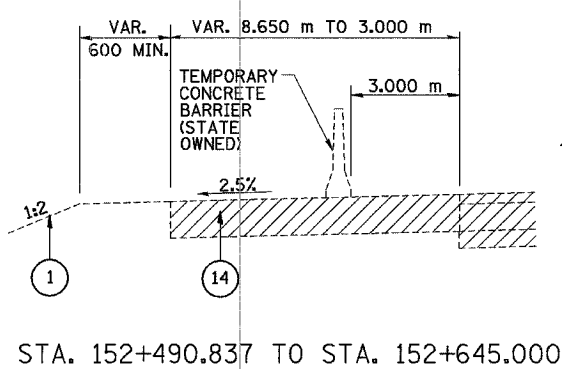


INDICATES ITEMS TO BE REMOVED

NOTES:  
 ALL DIMENSIONS ARE IN MILLIMETERS (mm)  
 UNLESS OTHERWISE STATED.

**TYPICAL SECTION A**  
 STA. 152+445.837 TO STA. 152+920  
 STA. 153+476 TO STA. 153+754

(A)



**TYPICAL SECTION C**  
 STA. 152+920 TO STA. 153+080  
 STA. 153+754 TO STA. 153+819.180

(B)

**LEGEND**

- (1) EXISTING GROUND LINE
- (2A) EX SUB-BASE GRANULAR MATERIAL 150 MM
- (7A) EX PCC PAVEMENT 250 MM (REINFORCED)
- (12) EX AGGREGATE SHOULDERS
- (13A) EX BITUMINOUS SHOULDERS 250 MM
- (14) EX PCC SHOULDERS
- (20A) EX PIPE UNDERDRAINS 100 MM
- (6D) EXISTING BITUMINOUS RESURFACING 115 MM



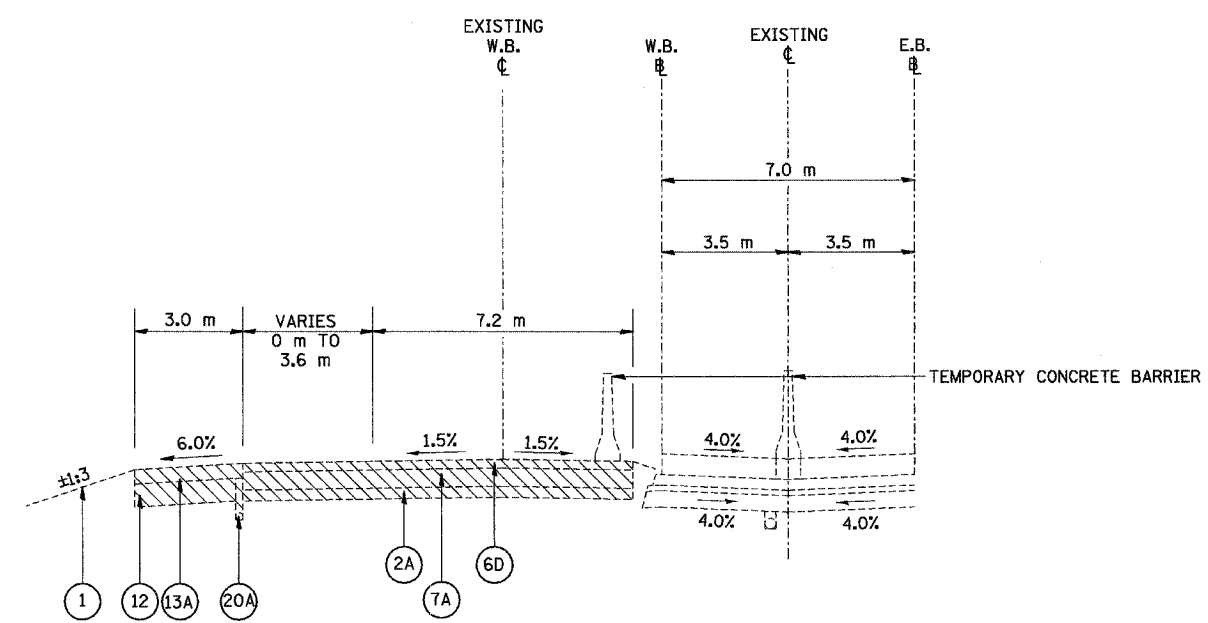
REVISIONS	
NAME	DATE

ILLINOIS DEPARTMENT OF TRANSPORTATION  
 FAI ROUTE 74 (I-74)  
 EXISTING TYPICAL SECTIONS  
 FAI ROUTE 74 (I-74) (WB)  
 SECTIONS A & B  
 DRAWN BY DER  
 CHECKED BY MLB  
 DATE 12/20/04

\\nas02\project\11101-5am.dgn 12/20/2004 3:18:51 PM

68201

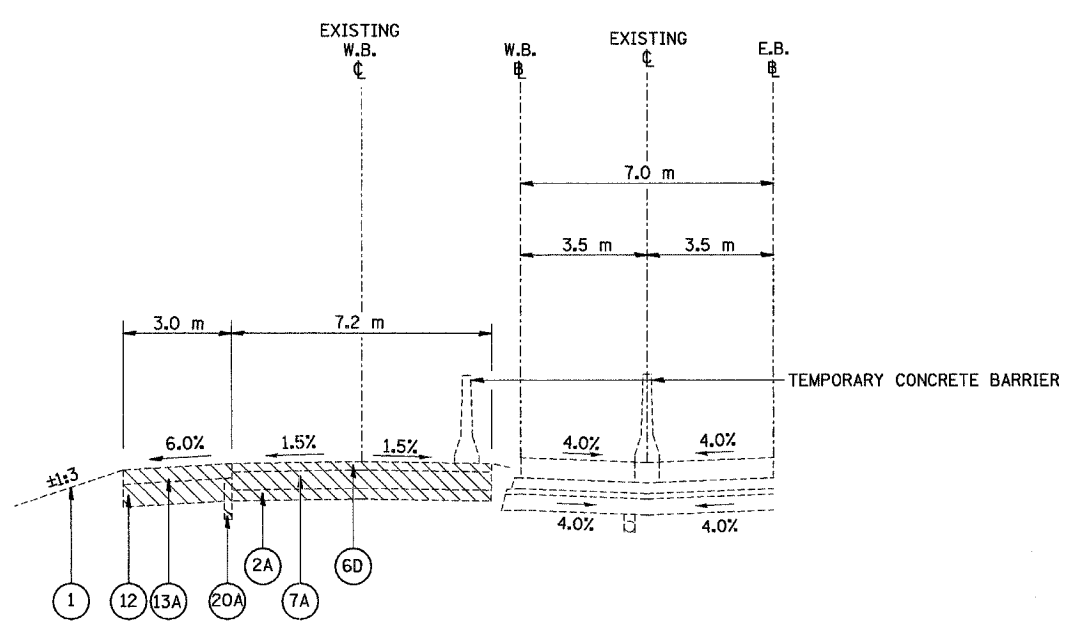
F.A.I. RTE.	SECTION	COUNTY	TOTAL SHEETS	SHEET NO.
74	*	TAZEWELL	1366	47
STA.		TO STA.		
FED. ROAD DIST. NO.		ILLINOIS FED. AID PROJECT		
* (90-DR-2; 90(3,4,4-DR-1				



INDICATES ITEMS TO BE REMOVED

NOTES:  
 ALL DIMENSIONS ARE IN MILLIMETERS (mm)  
 UNLESS OTHERWISE STATED.

**TYPICAL SECTION D**  
 STA. 153+080 TO STA. 153+369 C



**TYPICAL SECTION B**  
 STA. 153+369 TO STA. 153+476 D

LEGEND	
①	EXISTING GROUND LINE
②A	EX SUB-BASE GRANULAR MATERIAL 150 MM
⑦A	EX PCC PAVEMENT 250 MM (REINFORCED)
⑫	EX AGGREGATE SHOULDERS
⑬A	EX BITUMINOUS SHOULDERS 250 MM
⑳A	EX PIPE UNDERDRAINS 100 MM
⑆D	EXISTING BITUMINOUS RESURFACING 115 MM



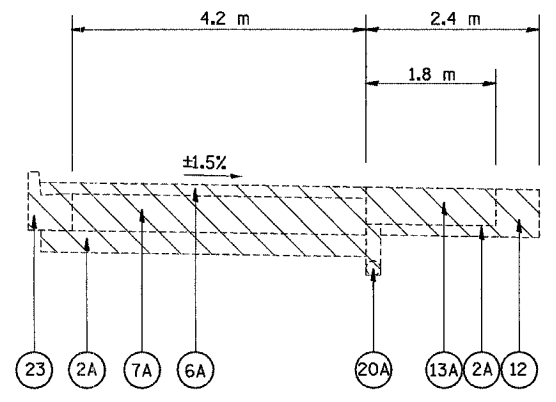
REVISIONS	
NAME	DATE

ILLINOIS DEPARTMENT OF TRANSPORTATION  
 FAI ROUTE 74 (I-74)  
 EXISTING TYPICAL SECTIONS  
 FAI ROUTE 74 (I-74) (WB)  
 SECTIONS C & D  
 DRAWN BY DER  
 CHECKED BY MLB  
 DATE 12/20/04

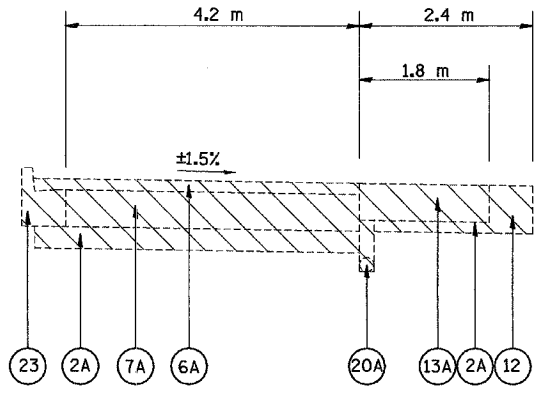
\\pds02\road\131101-fam.dgn 12/20/2004 3:15:13 PM

68201

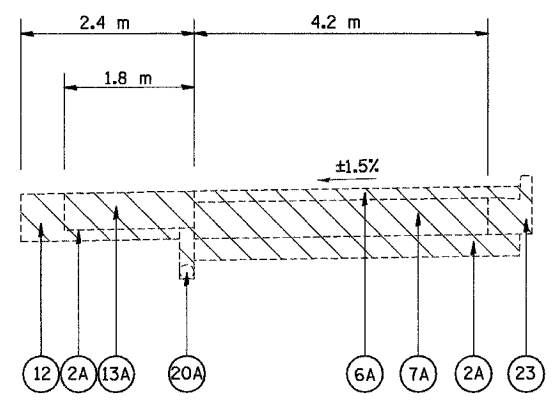
F.A.I. RTE.	SECTION	COUNTY	TOTAL SHEETS	SHEET NO.
74	*	TAZEWELL	1366	48
STA.		TO STA.		
FED. ROAD DIST. NO.		ILLINOIS FED. AID PROJECT		
* (90-11R-2) 90(3,4,4)-1R-1				



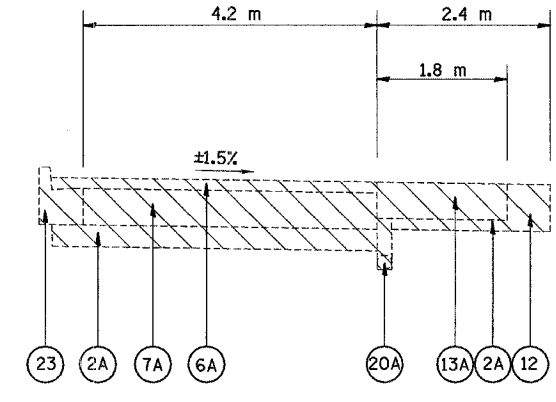
**RAMP 18**  
(STA. 0+048.0 TO 0+329.2)



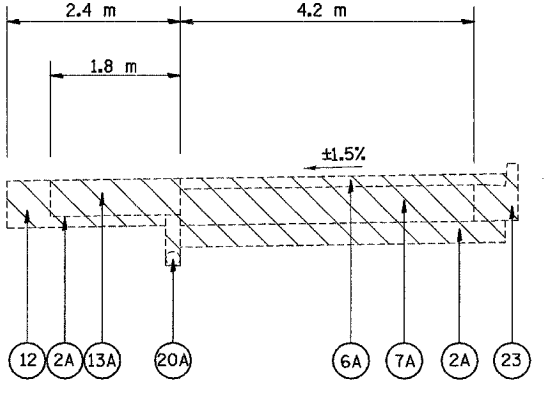
**RAMP 20**  
(STA. 6+012.0 TO 6+22.3)



**RAMP 23**  
(STA. 1+052.9 TO 1+281.5)



**RAMP 19**  
(STA. 5+004.6 TO 5+199.0)



**RAMP 21**  
(STA. 7+232.0 TO 7+464.4)

INDICATES ITEMS TO BE REMOVED

NOTES:  
ALL DIMENSIONS ARE IN MILLIMETERS (mm)  
UNLESS OTHERWISE STATED.

LEGEND	
①	EXISTING GROUND LINE
②A	EX SUB-BASE GRANULAR MATERIAL 150 MM
⑥A	EX BITUMINOUS RESURFACING 75 MM
⑦A	EX PCC PAVEMENT 250 MM (REINFORCED)
⑫	EX AGGREGATE SHOULDERS
⑬A	EX BITUMINOUS SHOULDERS 250 MM
⑳A	EX PIPE UNDERDRAINS 100 MM
㉓	EX COMBINATION CONCRETE CURB & GUTTER



REVISIONS	
NAME	DATE

ILLINOIS DEPARTMENT OF TRANSPORTATION  
 FAI ROUTE 74 (I-74)  
 EXISTING TYPICAL SECTIONS  
 RAMPS  
 NUMBERS 18, 19, 20, 21 & 23  
 DATE 12/20/04  
 DRAWN BY DER  
 CHECKED BY MLB

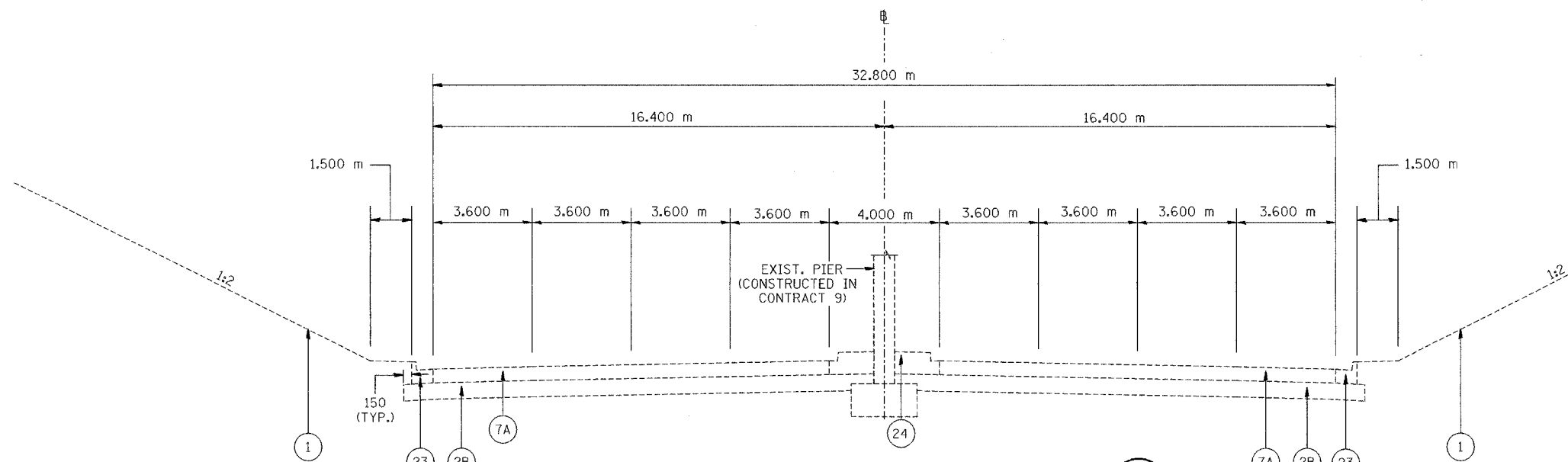


I:\projects\20040204\11111111\11111111.dwg 12/20/04 11:11 AM

69201

F.A.I. RTE.	SECTION	COUNTY	TOTAL SHEETS	SHEET NO.
74	*	TAZEWELL	1366	49
STA.		TO STA.		
FED. ROAD DIST. NO.		ILLINOIS FED. AID PROJECT		

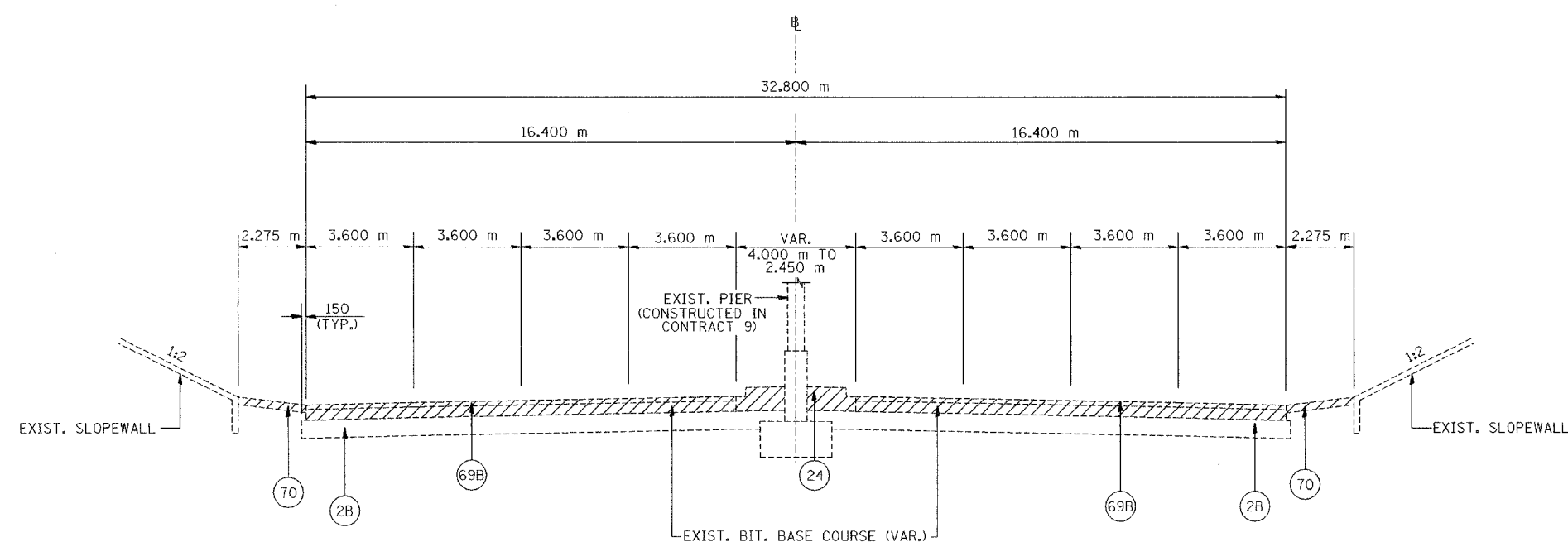
\*(90-IDR-2;90(I3,I4,I4-IDR-1



**TYPICAL SECTION A1**  
 STA. 2+382.480 TO STA. 2+402.933

(A1)

INDICATES ITEMS TO BE REMOVED



**TYPICAL SECTION B1**  
 STA. 2+402.933 TO STA. 2+412.933

(B1)

LEGEND		
(1) EXISTING GROUND LINE	(10) EX PCC SIDEWALK	(69B) EX BITUMINOUS CONCRETE SURFACE COURSE, SUPERPAVE, MIX "D", N70. 38 mm
(2A) EX SUB-BASE GRANULAR MATERIAL 150 mm	(12) EX AGGREGATE SHOULDERS	(70) EX INCIDENTAL BITUMINOUS SURFACING 100 mm
(2B) EX SUB-BASE GRANULAR MATERIAL 300 mm	(13) EX BITUMINOUS SHOULDERS	
(4) EX PCC BASE COURSE 230 mm	(14) EX PCC SHOULDERS	
(5) EX BITUMINOUS BASE COURSE	(22) EX CONCRETE GUTTER	
(6A) EX BITUMINOUS RESURFACING 75 mm	(23) EX COMBINATION CONCRETE CURB AND GUTTER	
(7A) EX PCC PAVEMENT 250 mm	(24) EX CONCRETE MEDIAN	

NOTES: ALL DIMENSIONS ARE IN MILLIMETERS (mm) UNLESS OTHERWISE STATED.

REVISIONS	
NAME	DATE

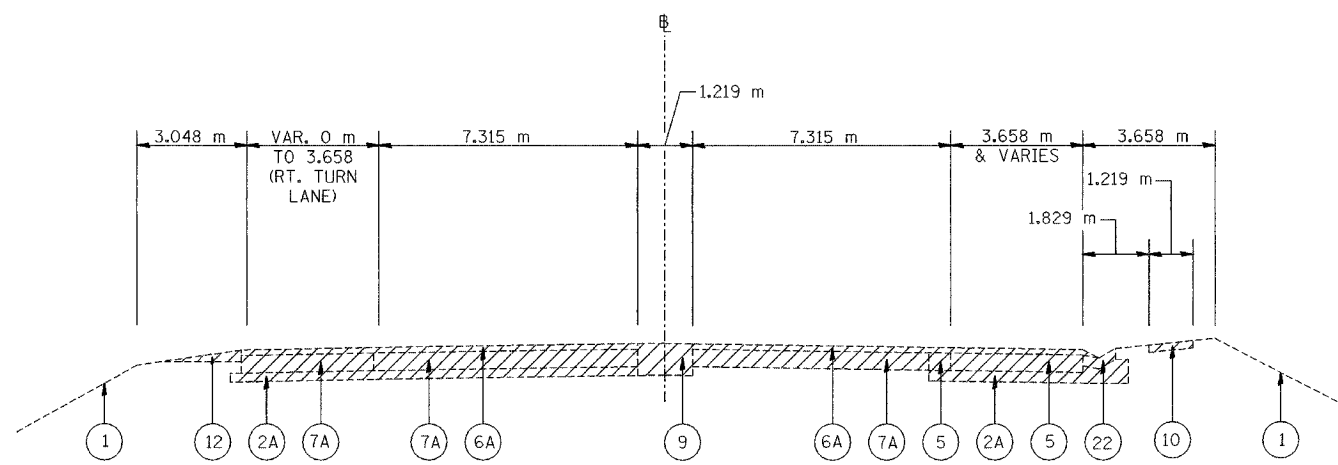
ILLINOIS DEPARTMENT OF TRANSPORTATION  
 FAI ROUTE 74 (I-74)  
 EXISTING TYPICAL SECTIONS  
 ILL. 116 - U.S. 150 - MAIN ST.  
 SECTIONS A1 & B1  
 DRAWN BY NIL  
 CHECKED BY JJM  
 DATE 12-20-04



D:\Projects\116\116-150-150-150.dwg 12/20/2004 3:23:26 PM

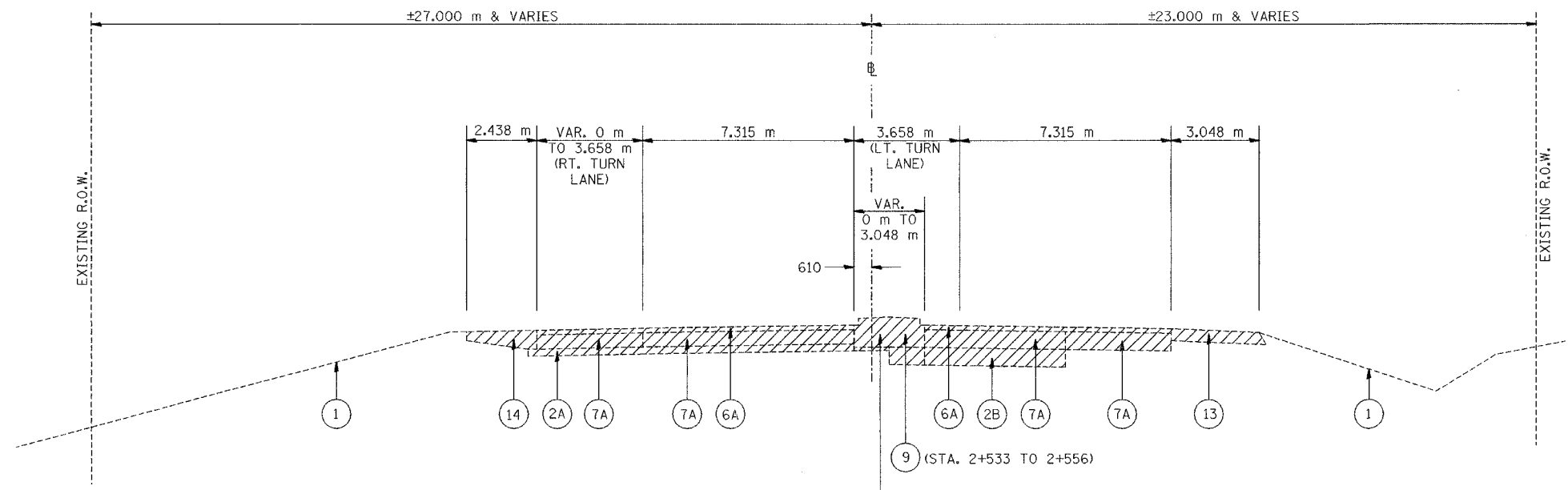
F.A.I. RTE.	SECTION	COUNTY	TOTAL SHEETS	SHEET NO.
74	*	TAZEWELL	1366	50
STA.		TO STA.		
FED. ROAD DIST. NO.		ILLINOIS FED. AID PROJECT		

\*(90-1)R-2;90(13,14,14-1)R-1



INDICATES ITEMS TO BE REMOVED

**TYPICAL SECTION C1** (C1)  
STA. 2+412.933 TO STA. 2+533.000



**TYPICAL SECTION D1** (D1)  
STA. 2+533.000 TO STA. 2+618.410

LEGEND	
(1) EXISTING GROUND LINE	(10) EX PCC SIDEWALK
(2A) EX SUB-BASE GRANULAR MATERIAL 150 mm	(12) EX AGGREGATE SHOULDERS
(2B) EX SUB-BASE GRANULAR MATERIAL 300 mm	(13) EX BITUMINOUS SHOULDERS
(4) EX PCC BASE COURSE 230 mm	(14) EX PCC SHOULDERS
(5) EX BITUMINOUS BASE COURSE	(22) EX CONCRETE GUTTER
(6A) EX BITUMINOUS RESURFACING 75 mm	(23) EX COMBINATION CONCRETE CURB AND GUTTER
(7A) EX PCC PAVEMENT 250 mm	(24) EX CONCRETE MEDIAN
(9) EX TEMPORARY PAVEMENT	

NOTES: ALL DIMENSIONS ARE IN MILLIMETERS (mm) UNLESS OTHERWISE STATED.

REVISIONS	
NAME	DATE



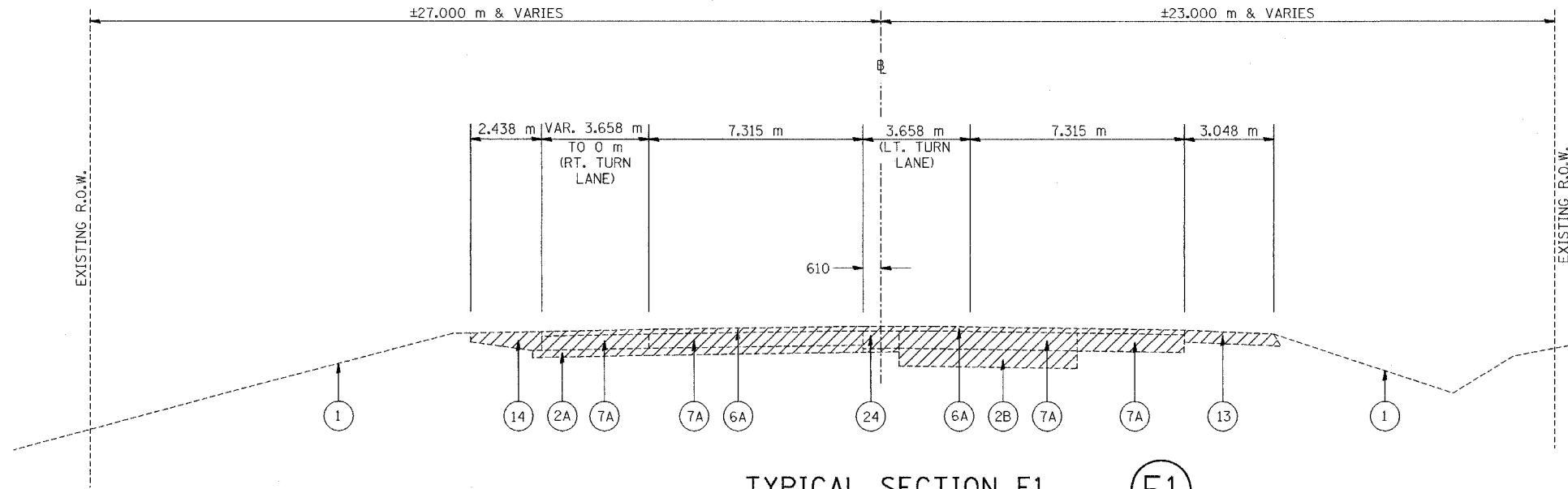
ILLINOIS DEPARTMENT OF TRANSPORTATION  
FAI ROUTE 74 (I-74)  
EXISTING TYPICAL SECTIONS  
ILL. 116 - U.S. 150 - MAIN ST.  
SECTIONS C1 & D1  
DRAWN BY NIL  
CHECKED BY JJM  
DATE 12-20-04

NO. 12 32 E. P.002/02/01 UBP-ENR-101151, 12/05/01

88201

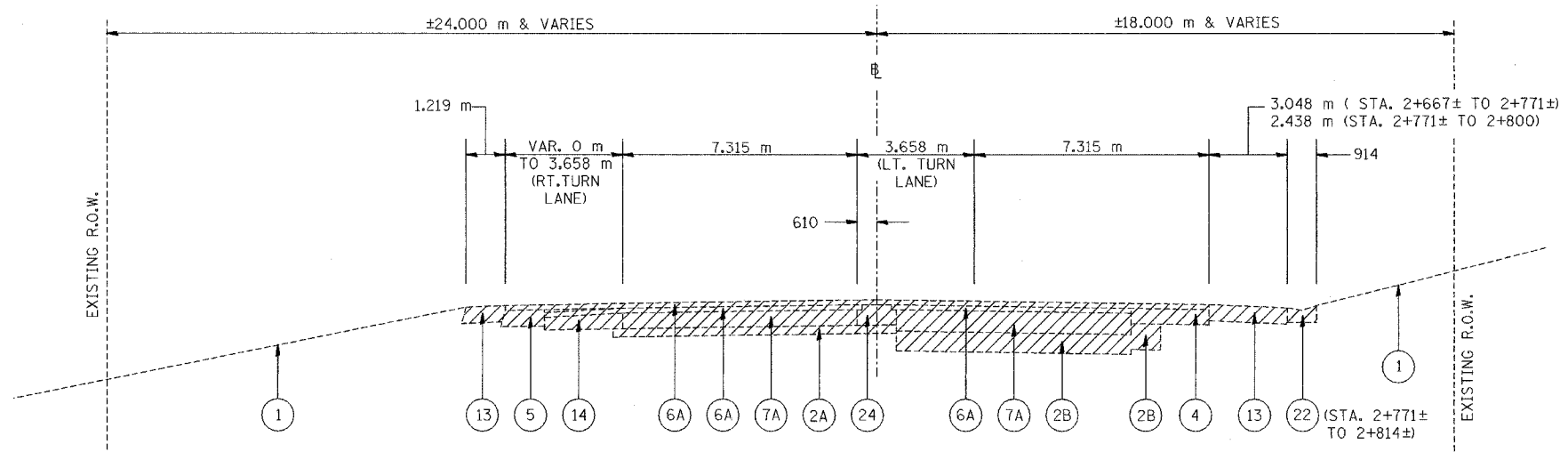
F.A.I. RTE.	SECTION	COUNTY	TOTAL SHEETS	SHEET NO.
74	*	TAZEWELL	1366	51
STA. 74		TO STA.		
FED. ROAD DIST. NO.		ILLINOIS FED. AID PROJECT		

\*(90-11)R-2;90(13,14,14-1)R-1



INDICATES ITEMS TO BE REMOVED

**TYPICAL SECTION E1** (E1)  
STA. 2+618.410 TO STA. 2+667.000



**TYPICAL SECTION F1** (F1)  
STA. 2+667.000 TO STA. 2+800.000

LEGEND	
1	EXISTING GROUND LINE
2A	EX SUB-BASE GRANULAR MATERIAL 150 mm
2B	EX SUB-BASE GRANULAR MATERIAL 300 mm
4	EX PCC BASE COURSE 230 mm
5	EX BITUMINOUS BASE COURSE
6A	EX BITUMINOUS RESURFACING 75 mm
7A	EX PCC PAVEMENT 250 mm
10	EX PCC SIDEWALK
12	EX AGGREGATE SHOULDERS
13	EX BITUMINOUS SHOULDERS
14	EX PCC SHOULDERS
22	EX CONCRETE GUTTER
23	EX COMBINATION CONCRETE CURB AND GUTTER
24	EX CONCRETE MEDIAN

NOTES: ALL DIMENSIONS ARE IN MILLIMETERS (mm) UNLESS OTHERWISE STATED.



REVISIONS	
NAME	DATE

ILLINOIS DEPARTMENT OF TRANSPORTATION  
 FAI ROUTE 74 (I-74)  
 EXISTING TYPICAL SECTIONS  
 ILL. 116 - U.S. 150 - MAIN ST.  
 SECTIONS E1 & F1

DATE 12-20-04

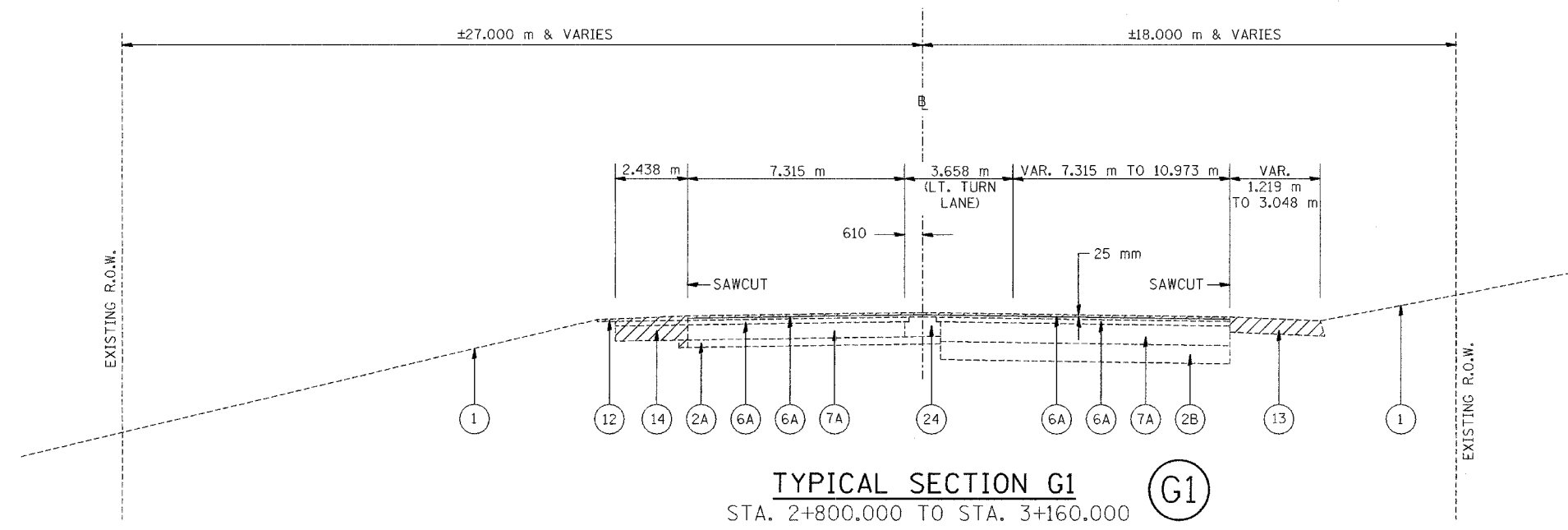
DRAWN BY NIL  
 CHECKED BY JJM

11/11/11 10:11:51 AM P:\PROJECTS\111111\111111.dwg

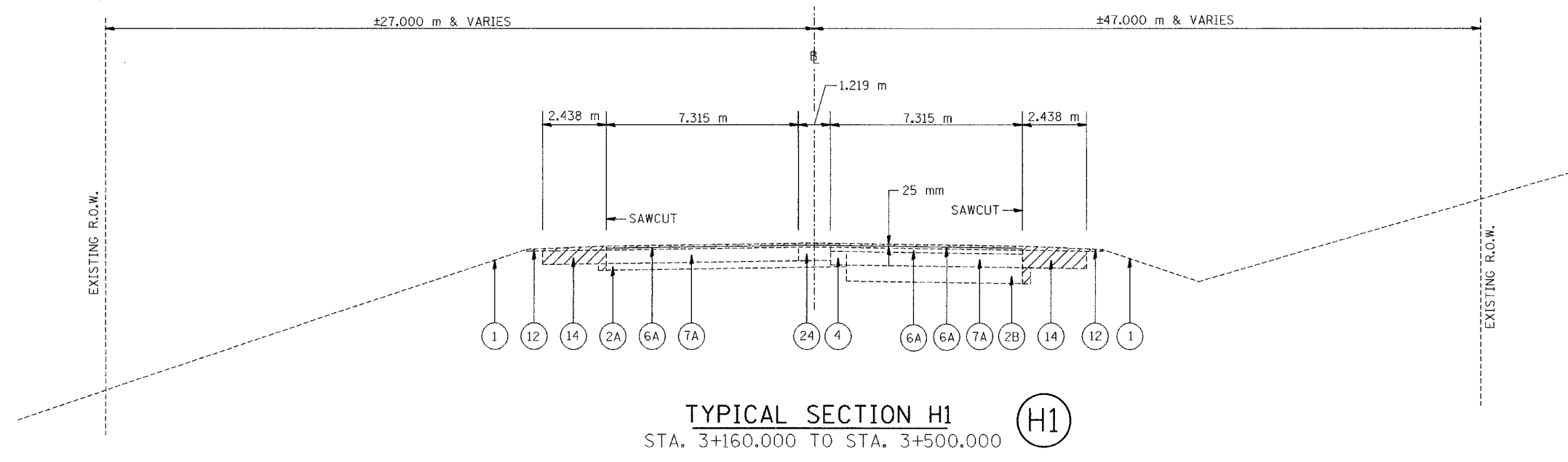
68201

F.A.I. RTE.	SECTION	COUNTY	TOTAL SHEETS	SHEET NO.
74	*	TAZEWELL	1366	52
STA.		TO STA.		
FED. ROAD DIST. NO.		ILLINOIS FED. AID PROJECT		

\*(90-IDR-2;90(I3,I4,I4-IDR-1



INDICATES ITEMS TO BE REMOVED



**LEGEND**

(1) EXISTING GROUND LINE	(10) EX PCC SIDEWALK
(2A) EX SUB-BASE GRANULAR MATERIAL 150 mm	(12) EX AGGREGATE SHOULDERS
(2B) EX SUB-BASE GRANULAR MATERIAL 300 mm	(13) EX BITUMINOUS SHOULDERS
(4) EX PCC BASE COURSE 230 mm	(14) EX PCC SHOULDERS
(5) EX BITUMINOUS BASE COURSE	(22) EX CONCRETE GUTTER
(6A) EX BITUMINOUS RESURFACING 75 mm	(23) EX COMBINATION CONCRETE CURB AND GUTTER
(7A) EX PCC PAVEMENT 250 mm	(24) EX CONCRETE MEDIAN

NOTES: ALL DIMENSIONS ARE IN MILLIMETERS (mm) UNLESS OTHERWISE STATED.

REVISIONS	
NAME	DATE

ILLINOIS DEPARTMENT OF TRANSPORTATION  
FAI ROUTE 74 (I-74)  
**EXISTING TYPICAL SECTIONS**  
ILL. 116 - U.S. 150 - MAIN ST.  
SECTIONS G1 & H1

DRAWN BY NIL  
CHECKED BY JJM

DATE 12-20-04

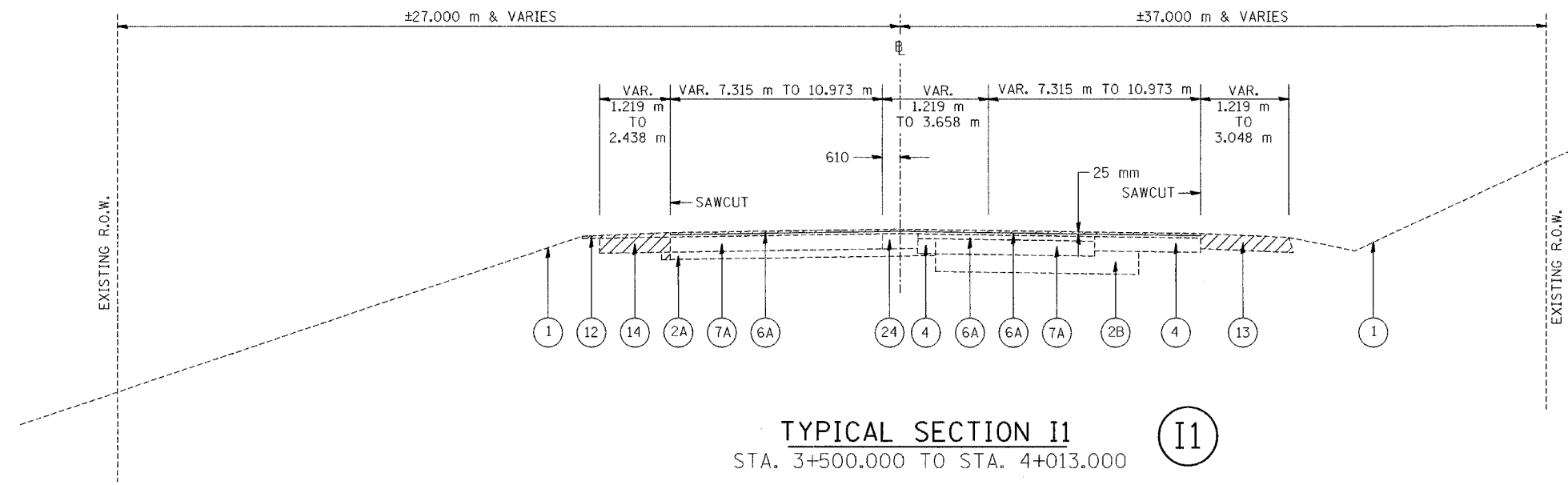


I:\projects\101151\101151.dwg - 10/11/04 10:00:00 AM

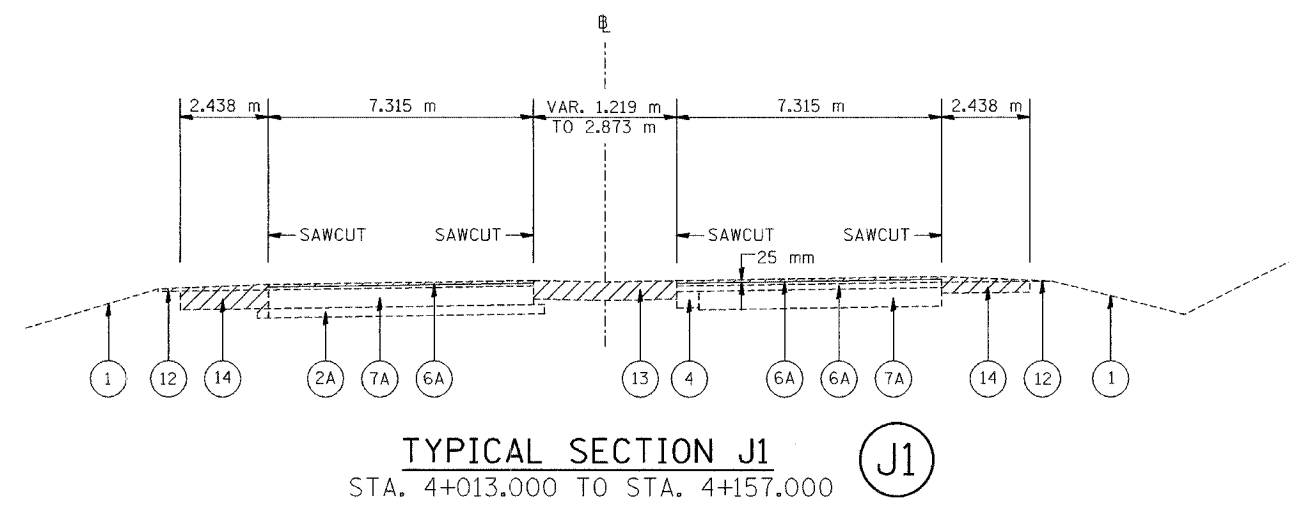
68201

F.A.I. RTE.	SECTION	COUNTY	TOTAL SHEETS	SHEET NO.
74	*	TAZEWELL	1366	53
STA.		TO STA.		
FED. ROAD DIST. NO.		ILLINOIS FED. AID PROJECT		

\*(90-11)R-2;90(13,14,14-1)R-1



INDICATES ITEMS TO BE REMOVED



LEGEND	
① EXISTING GROUND LINE	⑩ EX PCC SIDEWALK
②A EX SUB-BASE GRANULAR MATERIAL 150 mm	⑫ EX AGGREGATE SHOULDERS
②B EX SUB-BASE GRANULAR MATERIAL 300 mm	⑬ EX BITUMINOUS SHOULDERS
④ EX PCC BASE COURSE 230 mm	⑭ EX PCC SHOULDERS
⑤ EX BITUMINOUS BASE COURSE	⑲ EX CONCRETE GUTTER
⑥A EX BITUMINOUS RESURFACING 75 mm	⑳ EX COMBINATION CONCRETE CURB AND GUTTER
⑦A EX PCC PAVEMENT 250 mm	㉑ EX CONCRETE MEDIAN

NOTES: ALL DIMENSIONS ARE IN MILLIMETERS (mm)  
 UNLESS OTHERWISE STATED.



REVISIONS	
NAME	DATE

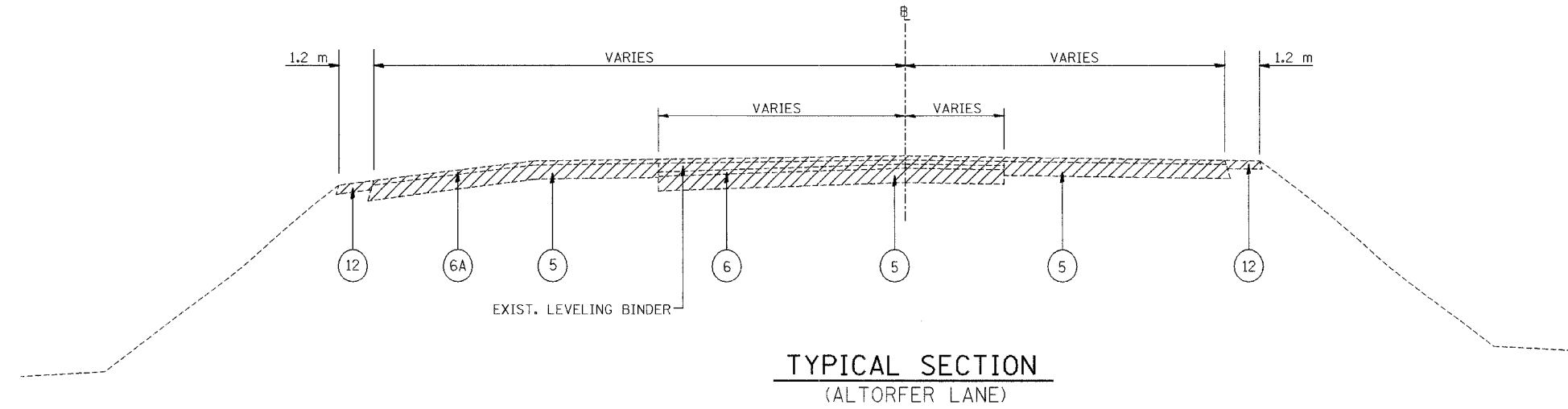
ILLINOIS DEPARTMENT OF TRANSPORTATION  
 FAI ROUTE 74 (I-74)  
**EXISTING TYPICAL SECTIONS**  
 ILL. 116 - U.S. 150 - MAIN ST.  
 SECTIONS I1 & J1  
 DRAWN BY: MLS  
 CHECKED BY: JJM  
 DATE: 12-20-04

\\p05621\030000\131101-5ana.dgn 12/20/2004 4:23:51 PM

68201

F.A.I. RTE.	SECTION	COUNTY	TOTAL SHEETS	SHEET NO.
74	*	TAZEWELL	1366	54
STA.		TO STA.		
FED. ROAD DIST. NO.		ILLINOIS FED. AID PROJECT		

\*(90-1)R-2;90(13,14,14-1)R-1



INDICATES ITEMS TO BE REMOVED

**LEGEND**

- |   |   |
|---|---|
| ① EXISTING GROUND LINE                  | ⑦A EX PCC PAVEMENT 250 mm                 |
| ②A EX SUB-BASE GRANULAR MATERIAL 150 mm | ⑩ EX PCC SIDEWALK                         |
| ②B EX SUB-BASE GRANULAR MATERIAL 300 mm | ⑫ EX AGGREGATE SHOULDERS                  |
| ④ EX PCC BASE COURSE 230 mm             | ⑬ EX BITUMINOUS SHOULDERS                 |
| ⑤ EX BITUMINOUS BASE COURSE             | ⑭ EX PCC SHOULDERS                        |
| ⑥ EX BITUMINOUS RESURFACING             | ⑳ EX CONCRETE GUTTER                      |
| ⑥A EX BITUMINOUS RESURFACING 75 mm      | ㉓ EX COMBINATION CONCRETE CURB AND GUTTER |

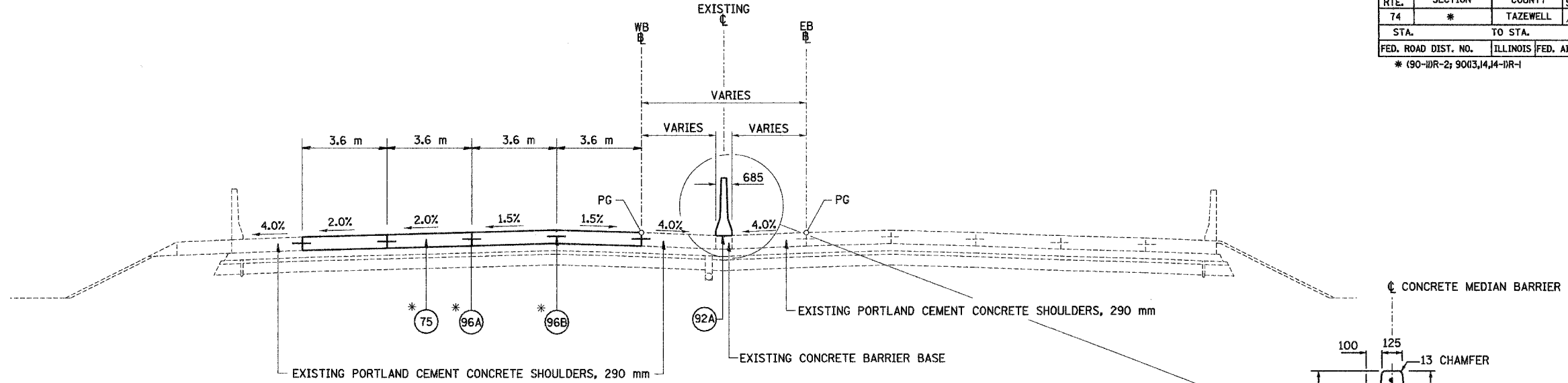
NOTES: ALL DIMENSIONS ARE IN MILLIMETERS (mm) UNLESS OTHERWISE STATED.

REVISIONS	
NAME	DATE



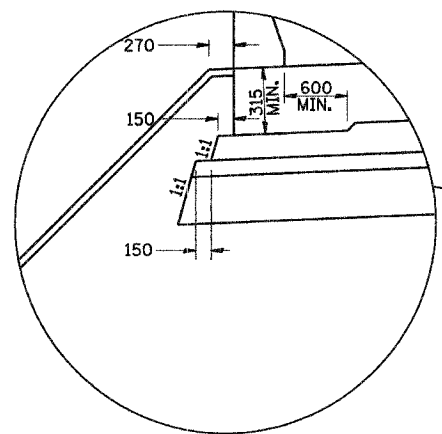
ILLINOIS DEPARTMENT OF TRANSPORTATION  
 FAI ROUTE 74 (I-74)  
 EXISTING TYPICAL SECTIONS  
 ILL. 116 - U.S. 150 - MAIN ST.  
 ALTORFER LANE  
 DRAWN BY SRS  
 CHECKED BY JJM  
 DATE 12-20-04

F.A.I. RTE.	SECTION	COUNTY	TOTAL SHEETS	SHEET NO.
74	*	TAZEWELL	1366	55
STA.		TO STA.		
FED. ROAD DIST. NO.		ILLINOIS FED. AID PROJECT		
* (90-IDR-2; 9003,14,14-IDR-1)				

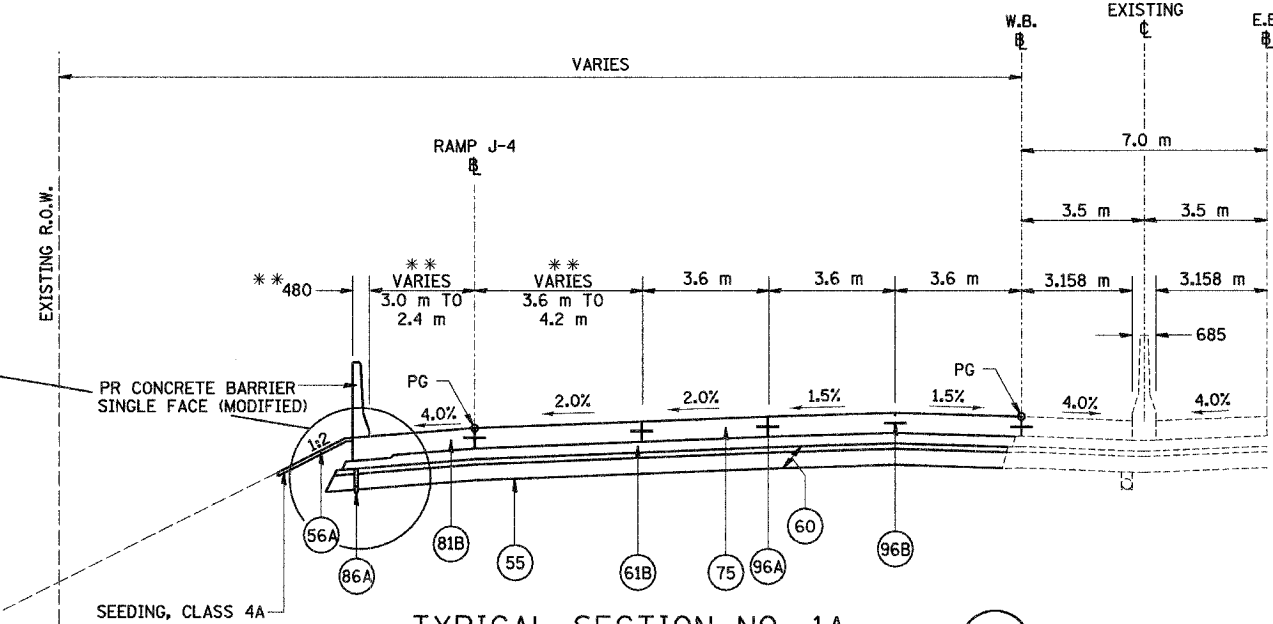


\* STA. 152+444.287 TO 152+445.837  
 \*\* AT RIGHT ANGLES TO RAMP J-4

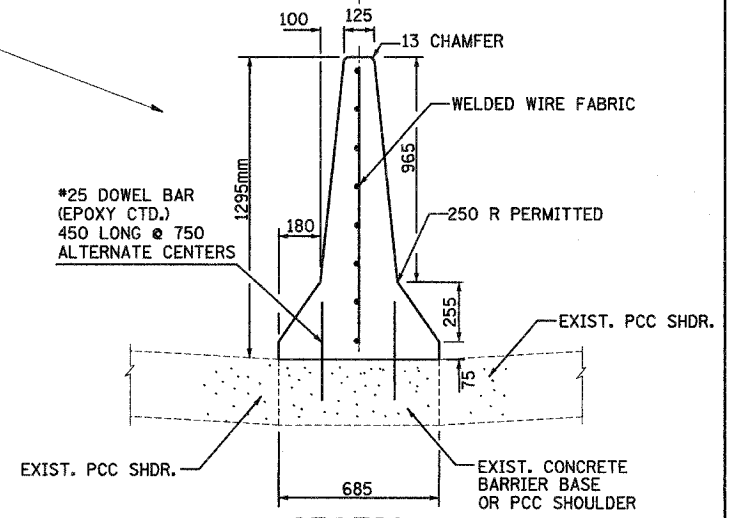
**TYPICAL SECTION NO. 1**  
 STA. 152+272.200 TO STA. 152+445.837 WB



**TYPICAL SUB-BASE DETAIL**  
 (TO SHOW DIMENSIONS ONLY)



**TYPICAL SECTION NO. 1A**  
 STA. 152+445.837 TO STA. 152+475.840 WB



**SECTION**  
 TYPICAL CONCRETE BARRIER, DOUBLE FACE (MODIFIED). SEE I-74 STD. 637001-I74.  
 THE FURNISHING AND PLACING OF WELDED WIRE FABRIC AND DRILLED AND GROUTED DOWEL BARS SHALL BE INCLUDED IN THE COST OF THE CONCRETE BARRIER.  
 SEE LIGHTING PLANS FOR CONDUIT LOCATION.

LEGEND		
(55) PR GEOTECHNICAL FABRIC FOR GROUND STABILIZATION	(81A) PR PORTLAND CEMENT CONCRETE SHOULDERS 250 MM	(89K) PR COMB. CONCRETE C&G, TYPE B-15.45
(56A) PR FURNISH AND PLACE TOPSOIL, 100 MM	(81B) PR PORTLAND CEMENT CONCRETE SHOULDERS, 290 MM	(92A) PR CONCRETE BARRIER, DOUBLE FACE
(60) PR AGGREGATE SUB-BASE, 300 MM	(82) PR RETAINING WALL (SEE WALL PLANS)	(96A) PR LONGITUDINAL CONSTRUCTION JOINT (TYPICAL)
(61A) PR BITUMINOUS CONCRETE BINDER COURSE, SUPERPAVE, IL-19.0L (LOW ESAL), 100MM	(86A) PR PIPE UNDERDRAINS, 100 MM	(96B) PR SAWED LONGITUDINAL JOINT (TYPICAL)
(61B) PR BITUMINOUS CONCRETE BINDER COURSE, SUPERPAVE, IL-19.0L (LOW ESAL), 150MM	(86B) PR PIPE UNDERDRAINS, 150 MM	
(71D) PR PORTLAND CEMENT CONCRETE PAVEMENT 250MM (JOINTED)	(88) PR CONCRETE GUTTER, TYPE A (MODIFIED)	
(75) PR CONTINUOUSLY REINFORCED PORTLAND CEMENT CONCRETE PAVEMENT, 290 MM	(89B) PR COMB. CONCRETE C&G, TYPE B-15.60	
(79) PR AGGREGATE SHOULDERS, TYPE B		

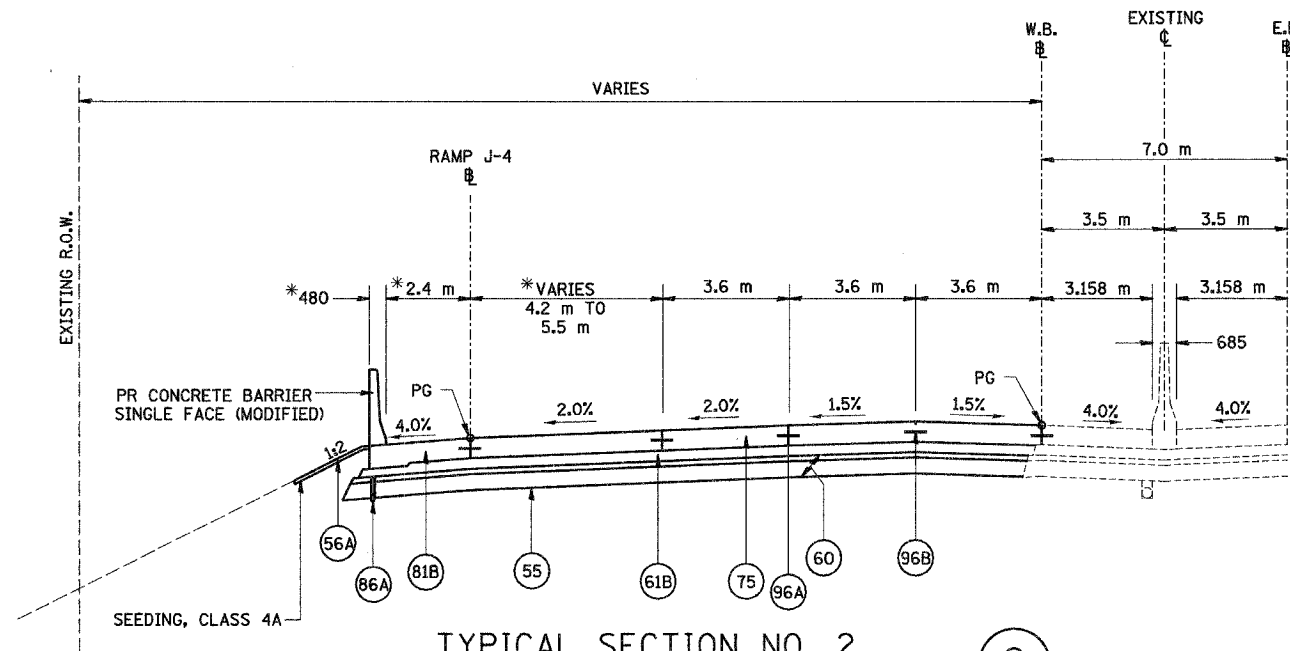
NOTES:  
 SHOULDERS ADJACENT TO THE HIGH SIDE OF SUPERELEVATED PAVEMENT SHALL BE 4% OR 8% MINUS THE RATE OF SUPER, WHICHEVER IS LESS. ADJACENT TO THE LOW SIDE OF SUPERELEVATED PAVEMENT SHOULDERS SHALL HAVE A SLOPE OF 4% OR THE RATE OF SUPER, WHICHEVER IS GREATER.  
 ALL DIMENSIONS ARE IN MILLIMETERS (mm) UNLESS OTHERWISE STATED.  
 (60) IS SHOWN IN TWO LAYERS TO DENOTE THE TWO GRADATIONS THAT MAKE UP THIS PAY ITEM.

REVISIONS	
NAME	DATE

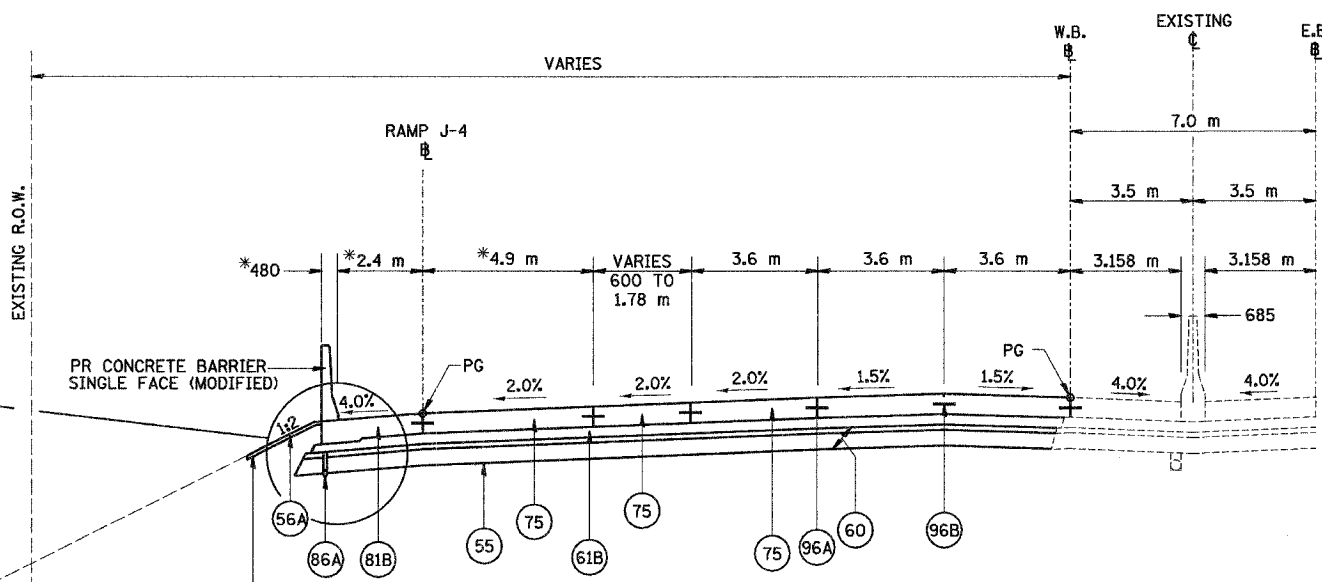
ILLINOIS DEPARTMENT OF TRANSPORTATION  
 FAI ROUTE 74 (I-74)  
**PROPOSED TYPICAL SECTIONS**  
 FAI ROUTE 74 (I-74) (WB)  
 NUMBERS 1 & 1A  
 DRAWN BY DER  
 CHECKED BY MLB  
 DATE 12-20-04



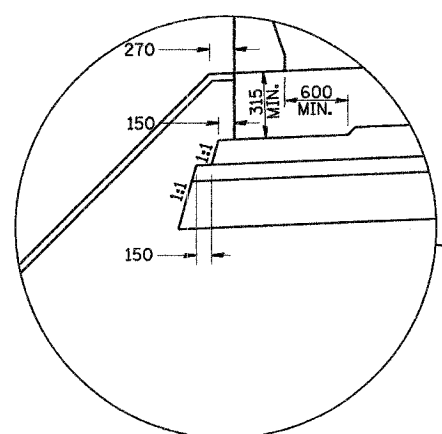
F.A.I. RTE.	SECTION	COUNTY	TOTAL SHEETS	SHEET NO.
74	*	TAZEWELL	1366	56
STA.		TO STA.		
FED. ROAD DIST. NO.		ILLINOIS		FED. AID PROJECT
* 190-11R-2; 9003,14,14-11R-1				



**TYPICAL SECTION NO. 2**  
STA. 152+475.840 TO STA. 152+540.892 WB



**TYPICAL SECTION NO. 3**  
STA. 152+540.892 TO STA. 152+600.000 WB



**TYPICAL SUB-BASE DETAIL**  
(TO SHOW DIMENSIONS ONLY)

LEGEND		
(55) PR GEOTECHNICAL FABRIC FOR GROUND STABILIZATION	(81A) PR PORTLAND CEMENT CONCRETE SHOULDERS 250 MM	(89K) PR COMB. CONCRETE C&G, TYPE B-15.45
(56A) PR FURNISH AND PLACE TOPSOIL, 100 MM	(81B) PR PORTLAND CEMENT CONCRETE SHOULDERS, 290 MM	(96A) PR LONGITUDINAL CONSTRUCTION JOINT (TYPICAL)
(60) PR AGGREGATE SUB-BASE, 300 MM	(82) PR RETAINING WALL (SEE WALL PLANS)	(96B) PR SAWED LONGITUDINAL JOINT (TYPICAL)
(61A) PR BITUMINOUS CONCRETE BINDER COURSE, SUPERPAVE, IL-19.0L (LOW ESAL), 100MM	(86A) PR PIPE UNDERDRAINS, 100 MM	
(61B) PR BITUMINOUS CONCRETE BINDER COURSE, SUPERPAVE, IL-19.0L (LOW ESAL), 150MM	(86B) PR PIPE UNDERDRAINS, 150 MM	
(71D) PR PORTLAND CEMENT CONCRETE PAVEMENT 250MM (JOINTED)	(88) PR CONCRETE GUTTER, TYPE A (MODIFIED)	
(75) PR CONTINUOUSLY REINFORCED PORTLAND CEMENT CONCRETE PAVEMENT, 290 MM	(89B) PR COMB. CONCRETE C&G, TYPE B-15.60	
(79) PR AGGREGATE SHOULDERS, TYPE B		

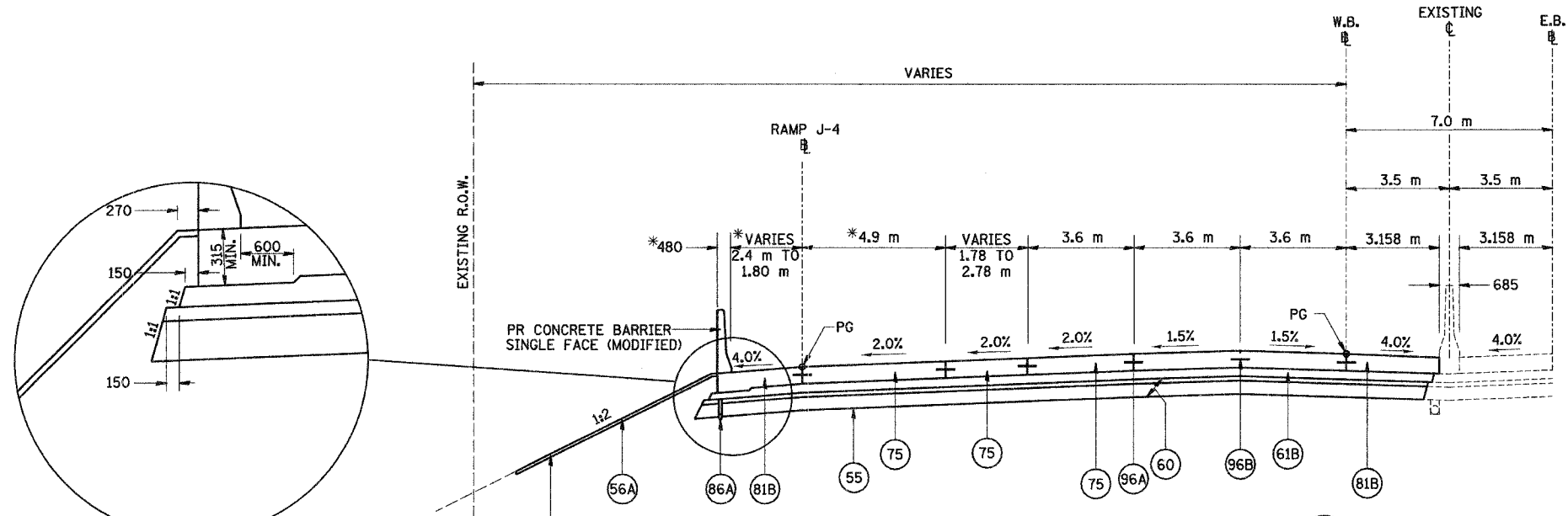
NOTES:  
 SHOULDERS ADJACENT TO THE HIGH SIDE OF SUPERELEVATED PAVEMENT SHALL BE 4% OR 8% MINUS THE RATE OF SUPER, WHICHEVER IS LESS. ADJACENT TO THE LOW SIDE OF SUPERELEVATED PAVEMENT SHOULDERS SHALL HAVE A SLOPE OF 4% OR THE RATE OF SUPER, WHICHEVER IS GREATER.  
 ALL DIMENSIONS ARE IN MILLIMETERS (mm) UNLESS OTHERWISE STATED.  
 (60) IS SHOWN IN TWO LAYERS TO DENOTE THE TWO GRADATIONS THAT MAKE UP THIS PAY ITEM.

REVISIONS		ILLINOIS DEPARTMENT OF TRANSPORTATION FAI ROUTE 74 (I-74) PROPOSED TYPICAL SECTIONS FAI ROUTE 74 (I-74) (WB) NUMBERS 2 & 3
NAME	DATE	
		DRAWN BY DER CHECKED BY MLB DATE 12-20-04





F.A.I. RTE.	SECTION	COUNTY	TOTAL SHEETS	SHEET NO.
74	*	TAZEWELL	1366	57
STA.		TO STA.		
FED. ROAD DIST. NO.		ILLINOIS FED. AID PROJECT		
* (90-DR-2; 90(13,14,14-DR-1				



**TYPICAL SUB-BASE DETAIL**  
(TO SHOW DIMENSIONS ONLY)

**TYPICAL SECTION NO. 3A**  
 STA. 152+600.000 TO STA. 152+647.108 WB  
 (BRIDGE APPROACH PAVEMENT STA. 152+647.108 WB TO STA. 152+656.108)  
 (BRIDGE OMISSION SN 090-0159 STA. 152+656.108 WB TO STA. 152+714.598)  
 (BRIDGE APPROACH PAVEMENT STA. 152+714.598 WB TO STA. 152+723.598)

\* AT RIGHT ANGLES TO RAMP J-4

LEGEND		
(55) PR GEOTECHNICAL FABRIC FOR GROUND STABILIZATION	(81A) PR PORTLAND CEMENT CONCRETE SHOULDERS 250 MM	(89K) PR COMB. CONCRETE C&G, TYPE B-15.45
(56A) PR FURNISH AND PLACE TOPSOIL, 100 MM	(81B) PR PORTLAND CEMENT CONCRETE SHOULDERS, 290 MM	(96A) PR LONGITUDINAL CONSTRUCTION JOINT (TYPICAL)
(60) PR AGGREGATE SUB-BASE, 300 MM	(82) PR RETAINING WALL (SEE WALL PLANS)	(96B) PR SAWED LONGITUDINAL JOINT (TYPICAL)
(61A) PR BITUMINOUS CONCRETE BINDER COURSE, SUPERPAVE, IL-19.0L (LOW ESAL), 100MM	(86A) PR PIPE UNDERDRAINS, 100 MM	
(61B) PR BITUMINOUS CONCRETE BINDER COURSE, SUPERPAVE, IL-19.0L (LOW ESAL), 150MM	(86B) PR PIPE UNDERDRAINS, 150 MM	
(71D) PR PORTLAND CEMENT CONCRETE PAVEMENT 250MM (JOINTED)	(88) PR CONCRETE GUTTER, TYPE A (MODIFIED)	
(75) PR CONTINUOUSLY REINFORCED PORTLAND CEMENT CONCRETE PAVEMENT, 290 MM	(89B) PR COMB. CONCRETE C&G, TYPE B-15.60	
(79) PR AGGREGATE SHOULDERS, TYPE B		

NOTES:

SHOULDERS ADJACENT TO THE HIGH SIDE OF SUPERELEVATED PAVEMENT SHALL BE 4% OR 8% MINUS THE RATE OF SUPER, WHICHEVER IS LESS. ADJACENT TO THE LOW SIDE OF SUPERELEVATED PAVEMENT SHOULDERS SHALL HAVE A SLOPE OF 4% OR THE RATE OF SUPER, WHICHEVER IS GREATER.

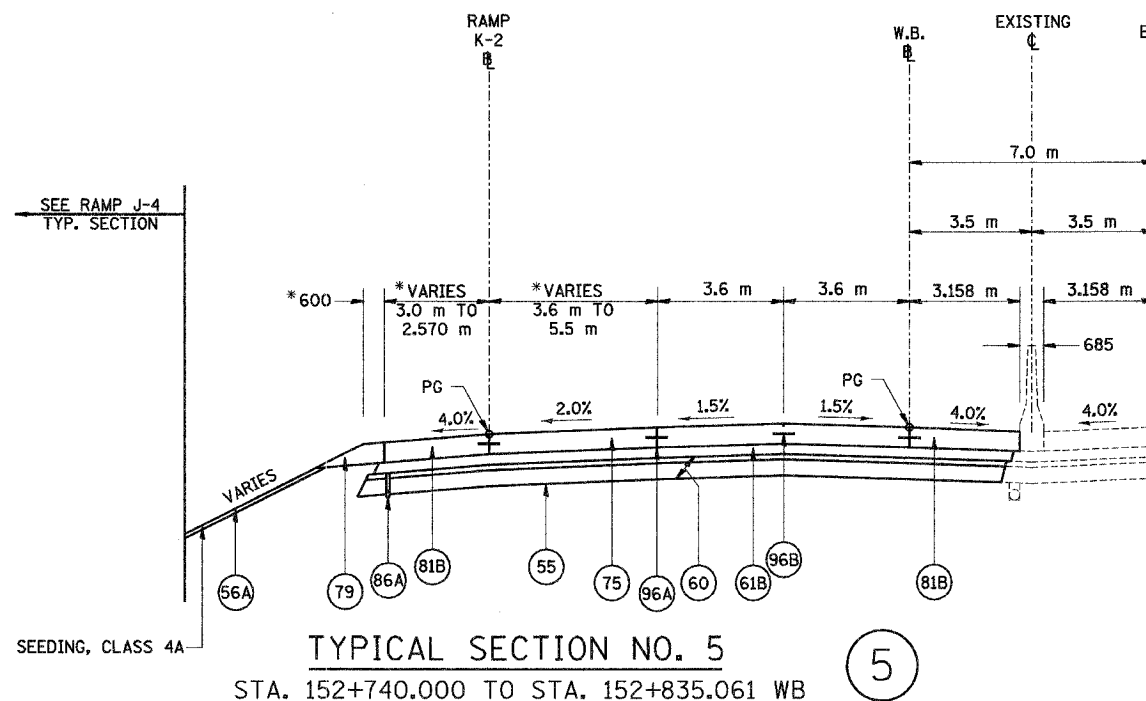
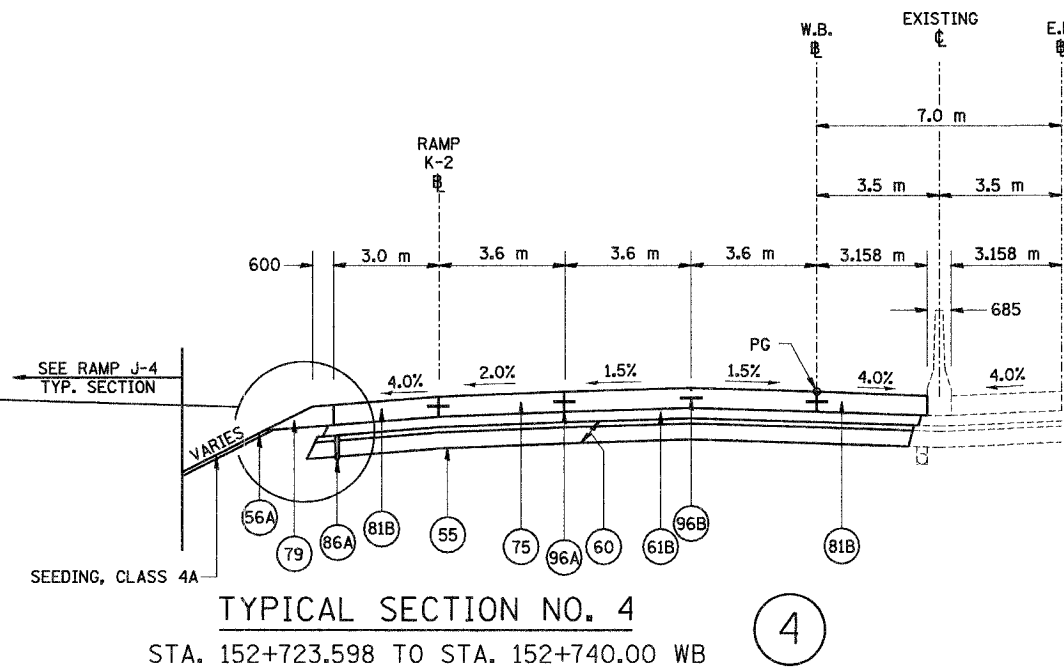
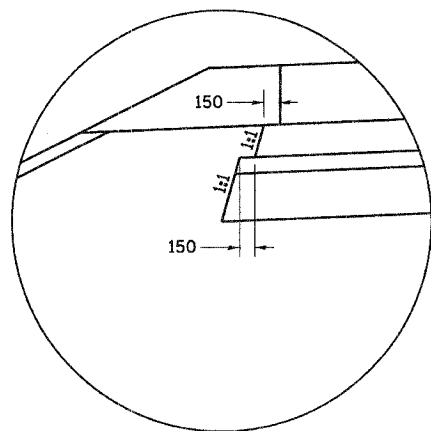
ALL DIMENSIONS ARE IN MILLIMETERS (mm) UNLESS OTHERWISE STATED.

(60) IS SHOWN IN TWO LAYERS TO DENOTE THE TWO GRADATIONS THAT MAKE UP THIS PAY ITEM.

REVISIONS		ILLINOIS DEPARTMENT OF TRANSPORTATION FAI ROUTE 74 (I-74) PROPOSED TYPICAL SECTIONS FAI ROUTE 74 (I-74) (WB) NUMBERS 3A
NAME	DATE	
		DRAWN BY DER CHECKED BY MLB DATE 12-20-04

**URS**  
URS CORPORATION  
ST. LOUIS, MO

F.A.I. RTE.	SECTION	COUNTY	TOTAL SHEETS	SHEET NO.
74	*	TAZEWELL	1366	58
STA.		TO STA.		
FED. ROAD DIST. NO.		ILLINOIS FED. AID PROJECT		
* (90-DR-2; 9013,14,14-DR-1)				



\*AT RIGHT ANGLES TO RAMP K-2

LEGEND		
(55) PR GEOTECHNICAL FABRIC FOR GROUND STABILIZATION	(81A) PR PORTLAND CEMENT CONCRETE SHOULDERS 250 MM	(89K) PR COMB. CONCRETE C&G, TYPE B-15.45
(56A) PR FURNISH AND PLACE TOPSOIL, 100 MM	(81B) PR PORTLAND CEMENT CONCRETE SHOULDERS, 290 MM	(96A) PR LONGITUDINAL CONSTRUCTION JOINT (TYPICAL)
(60) PR AGGREGATE SUB-BASE, 300 MM	(82) PR RETAINING WALL (SEE WALL PLANS)	(96B) PR SAWED LONGITUDINAL JOINT (TYPICAL)
(61A) PR BITUMINOUS CONCRETE BINDER COURSE, SUPERPAVE, IL-19.0L (LOW ESAL), 100MM	(86A) PR PIPE UNDERDRAINS, 100 MM	
(61B) PR BITUMINOUS CONCRETE BINDER COURSE, SUPERPAVE, IL-19.0L (LOW ESAL), 150MM	(86B) PR PIPE UNDERDRAINS, 150 MM	
(71D) PR PORTLAND CEMENT CONCRETE PAVEMENT 250MM (JOINTED)	(88) PR CONCRETE GUTTER, TYPE A (MODIFIED)	
(75) PR CONTINUOUSLY REINFORCED PORTLAND CEMENT CONCRETE PAVEMENT, 290 MM	(89B) PR COMB. CONCRETE C&G, TYPE B-15.60	
(79) PR AGGREGATE SHOULDERS, TYPE B		

NOTES:  
 SHOULDERS ADJACENT TO THE HIGH SIDE OF SUPERELEVATED PAVEMENT SHALL BE 4% OR 8% MINUS THE RATE OF SUPER, WHICHEVER IS LESS. ADJACENT TO THE LOW SIDE OF SUPERELEVATED PAVEMENT SHOULDERS SHALL HAVE A SLOPE OF 4% OR THE RATE OF SUPER, WHICHEVER IS GREATER.  
 ALL DIMENSIONS ARE IN MILLIMETERS (mm) UNLESS OTHERWISE STATED.  
 (60) IS SHOWN IN TWO LAYERS TO DENOTE THE TWO GRADATIONS THAT MAKE UP THIS PAY ITEM.

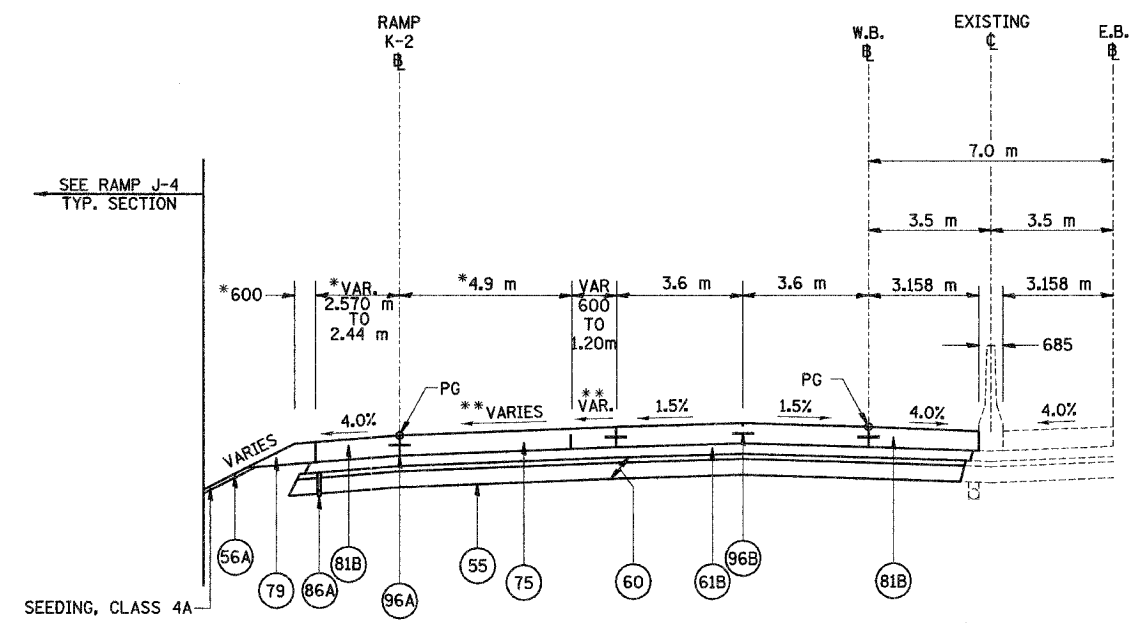
REVISIONS	
NAME	DATE

ILLINOIS DEPARTMENT OF TRANSPORTATION  
 FAI ROUTE 74 (I-74)  
 PROPOSED TYPICAL SECTIONS  
 FAI ROUTE 74 (I-74) (WB)  
 NUMBERS 4 & 5  
 DRAWN BY DER  
 CHECKED BY MLB  
 DATE 12-20-04

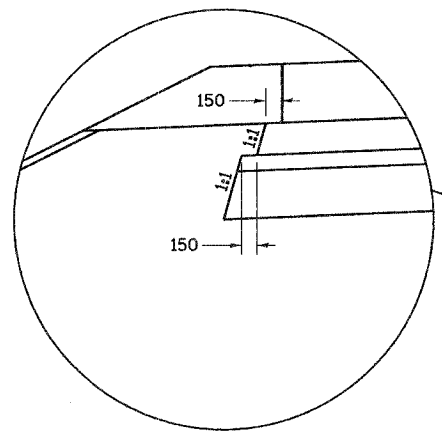


I:\projects\roadway\131101-5a\12-21-2004 8:28:47 AM

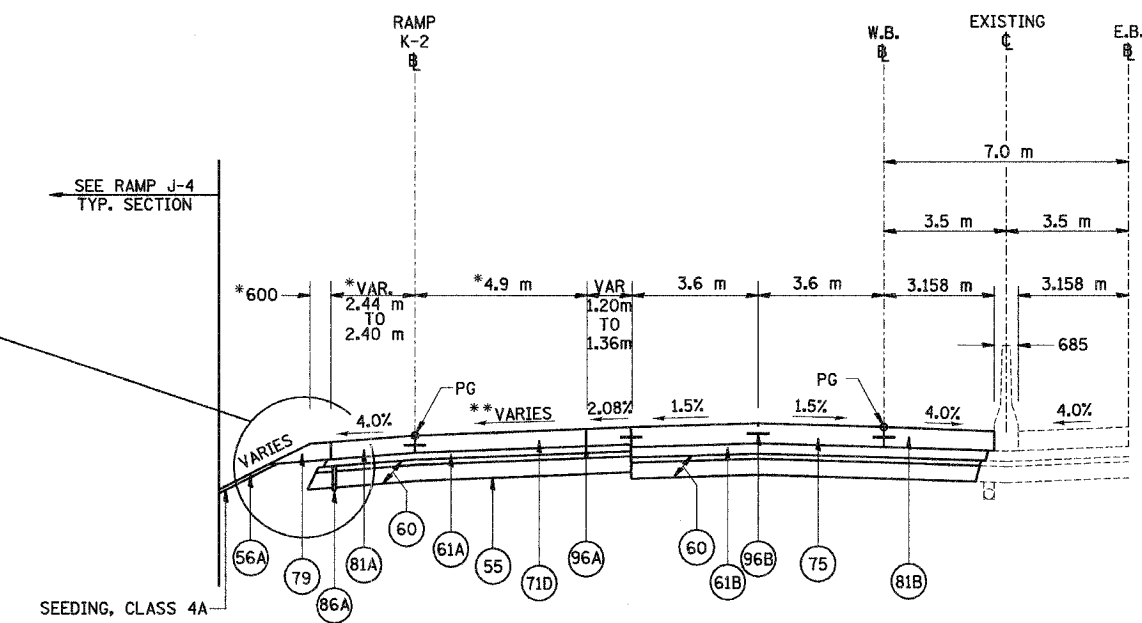
F.A.I. RTE.	SECTION	COUNTY	TOTAL SHEETS	SHEET NO.
74	*	TAZEWELL	1366	59
STA.		TO STA.		
FED. ROAD DIST. NO.		ILLINOIS FED. AID PROJECT		
* (90-III-R-2); 90(13,14)-IR-1				



**TYPICAL SECTION NO. 6**  
 STA. 152+835.061 TO STA. 152+865.043 WB (6)



**TYPICAL SUB-BASE DETAIL**  
 (TO SHOW DIMENSIONS ONLY)



**TYPICAL SECTION NO. 7**  
 STA. 152+865.043 TO STA. 152+873.239 WB (7)

\*AT RIGHT ANGLES TO RAMP K-2  
 \*\* SEE RAMP GORE & PAVEMENT JOINT DETAIL SHEET

LEGEND		
(55) PR GEOTECHNICAL FABRIC FOR GROUND STABILIZATION	(81A) PR PORTLAND CEMENT CONCRETE SHOULDERS 250 MM	(89K) PR COMB. CONCRETE C&G, TYPE B-15.45
(56A) PR FURNISH AND PLACE TOPSOIL, 100 MM	(81B) PR PORTLAND CEMENT CONCRETE SHOULDERS, 290 MM	(96A) PR LONGITUDINAL CONSTRUCTION JOINT (TYPICAL)
(60) PR AGGREGATE SUB-BASE, 300 MM	(82) PR RETAINING WALL (SEE WALL PLANS)	(96B) PR SAWED LONGITUDINAL JOINT (TYPICAL)
(61A) PR BITUMINOUS CONCRETE BINDER COURSE, SUPERPAVE, IL-19.0L (LOW ESAL), 100MM	(86A) PR PIPE UNDERDRAINS, 100 MM	
(61B) PR BITUMINOUS CONCRETE BINDER COURSE, SUPERPAVE, IL-19.0L (LOW ESAL), 150MM	(86B) PR PIPE UNDERDRAINS, 150 MM	
(71D) PR PORTLAND CEMENT CONCRETE PAVEMENT 250MM (JOINTED)	(88) PR CONCRETE GUTTER, TYPE A (MODIFIED)	
(75) PR CONTINUOUSLY REINFORCED PORTLAND CEMENT CONCRETE PAVEMENT, 290 MM	(89B) PR COMB. CONCRETE C&G, TYPE B-15.60	
(79) PR AGGREGATE SHOULDERS, TYPE B		

NOTES:  
 SHOULDERS ADJACENT TO THE HIGH SIDE OF SUPERELEVATED PAVEMENT SHALL BE 4% OR 8% MINUS THE RATE OF SUPER, WHICHEVER IS LESS. ADJACENT TO THE LOW SIDE OF SUPERELEVATED PAVEMENT SHOULDERS SHALL HAVE A SLOPE OF 4% OR THE RATE OF SUPER, WHICHEVER IS GREATER.  
 ALL DIMENSIONS ARE IN MILLIMETERS (mm) UNLESS OTHERWISE STATED.  
 (60) IS SHOWN IN TWO LAYERS TO DENOTE THE TWO GRADATIONS THAT MAKE UP THIS PAY ITEM.

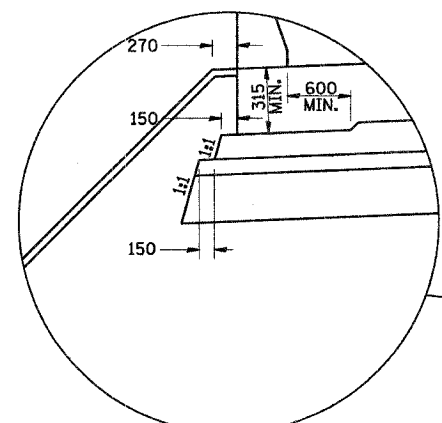
REVISIONS	
NAME	DATE

ILLINOIS DEPARTMENT OF TRANSPORTATION  
 FAI ROUTE 74 (I-74)  
**PROPOSED TYPICAL SECTIONS**  
 FAI ROUTE 74 (I-74) (WB)  
 NUMBERS 6 & 7  
 DRAWN BY DER  
 CHECKED BY MLB  
 DATE 12-20-04

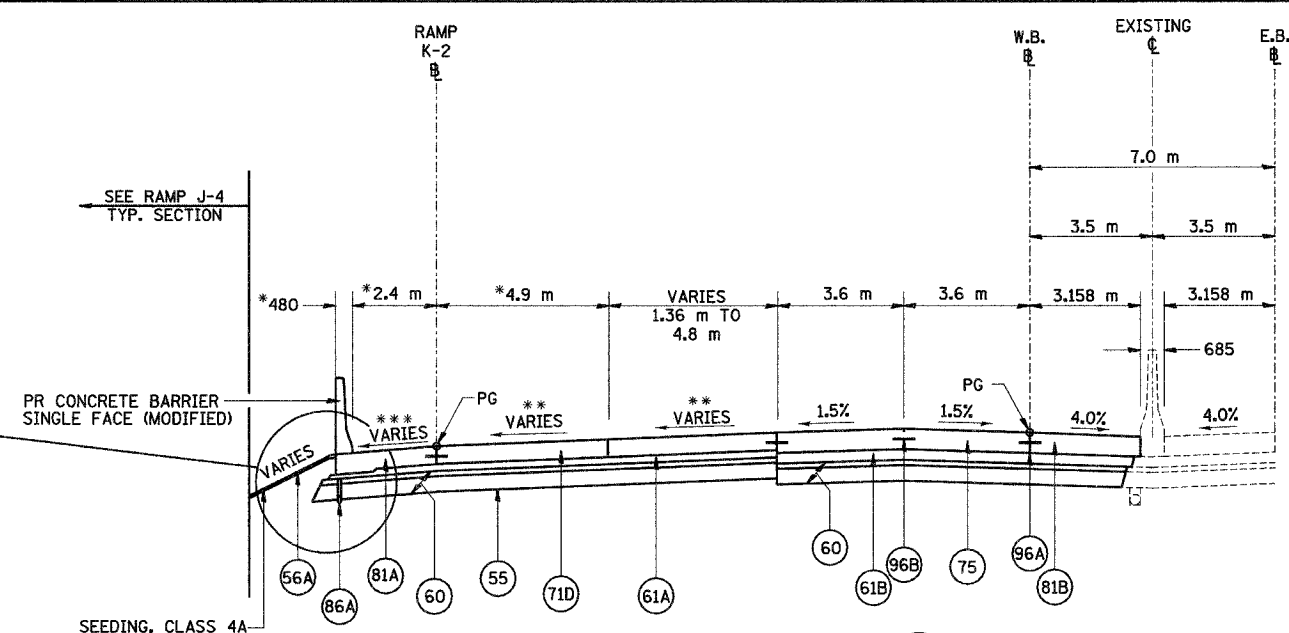


NT 45 82 8 P002/12/21/2004/101151/Amcrao/2/assault

F.A.I. RTE.	SECTION	COUNTY	TOTAL SHEETS	SHEET NO.
74	*	TAZEWELL	1366	60
STA.		TO STA.		
FED. ROAD DIST. NO.		ILLINOIS	FED. AID PROJECT	
* (90-IBR-2; 90I3,14,14-IBR-1)				

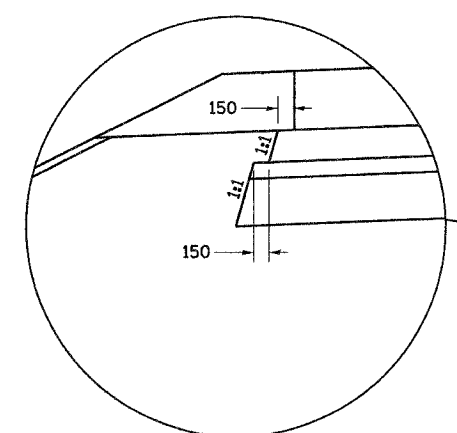


**TYPICAL SUB-BASE DETAIL**  
(TO SHOW DIMENSIONS ONLY)

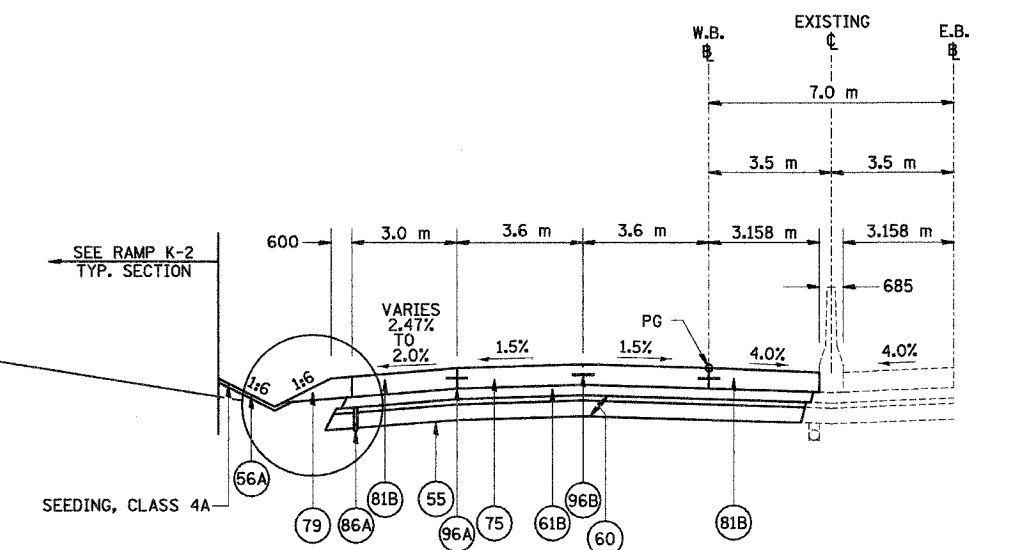


**TYPICAL SECTION NO. 8**  
STA. 152+873.239 TO STA. 152+969.330 WB

\*\*\* STA. 152+873.239 TO STA. 152+925.061 - SLOPE = 4.0%  
STA. 152+925.061 TO STA. 152+969.330 - SLOPE VARIES FROM 4.0% TO 4.85%



**TYPICAL SUB-BASE DETAIL**  
(TO SHOW DIMENSIONS ONLY)



**TYPICAL SECTION NO. 9**  
STA. 152+969.330 TO STA. 153+011.792 WB

(BRIDGE APPROACH PAVEMENT STA. 153+011.792 WB TO STA. 153+020.792)  
(BRIDGE OMISSION SN 090-0160 STA. 153+020.792 WB TO STA. 153+079.792)  
(BRIDGE APPROACH PAVEMENT STA. 153+079.792 WB TO STA. 153+088.792)

LEGEND		
(55) PR GEOTECHNICAL FABRIC FOR GROUND STABILIZATION	(81A) PR PORTLAND CEMENT CONCRETE SHOULDERS 250 MM	(89K) PR COMB. CONCRETE C&G, TYPE B-15.45
(56A) PR FURNISH AND PLACE TOPSOIL, 100 MM	(81B) PR PORTLAND CEMENT CONCRETE SHOULDERS, 290 MM	(96A) PR LONGITUDINAL CONSTRUCTION JOINT (TYPICAL)
(60) PR AGGREGATE SUB-BASE, 300 MM	(82) PR RETAINING WALL (SEE WALL PLANS)	(96B) PR SAWED LONGITUDINAL JOINT (TYPICAL)
(61A) PR BITUMINOUS CONCRETE BINDER COURSE, SUPERPAVE, IL-19.0L (LOW ESAL), 100MM	(86A) PR PIPE UNDERDRAINS, 100 MM	
(61B) PR BITUMINOUS CONCRETE BINDER COURSE, SUPERPAVE, IL-19.0L (LOW ESAL), 150MM	(86B) PR PIPE UNDERDRAINS, 150 MM	
(71D) PR PORTLAND CEMENT CONCRETE PAVEMENT 250MM (JOINTED)	(88) PR CONCRETE GUTTER, TYPE A (MODIFIED)	
(75) PR CONTINUOUSLY REINFORCED PORTLAND CEMENT CONCRETE PAVEMENT, 290 MM	(89B) PR COMB. CONCRETE C&G, TYPE B-15.60	
(79) PR AGGREGATE SHOULDERS, TYPE B		

\* AT RIGHT ANGLES TO RAMP K-2  
\*\* SEE RAMP GORE & PAVEMENT JOINT DETAIL SHEET

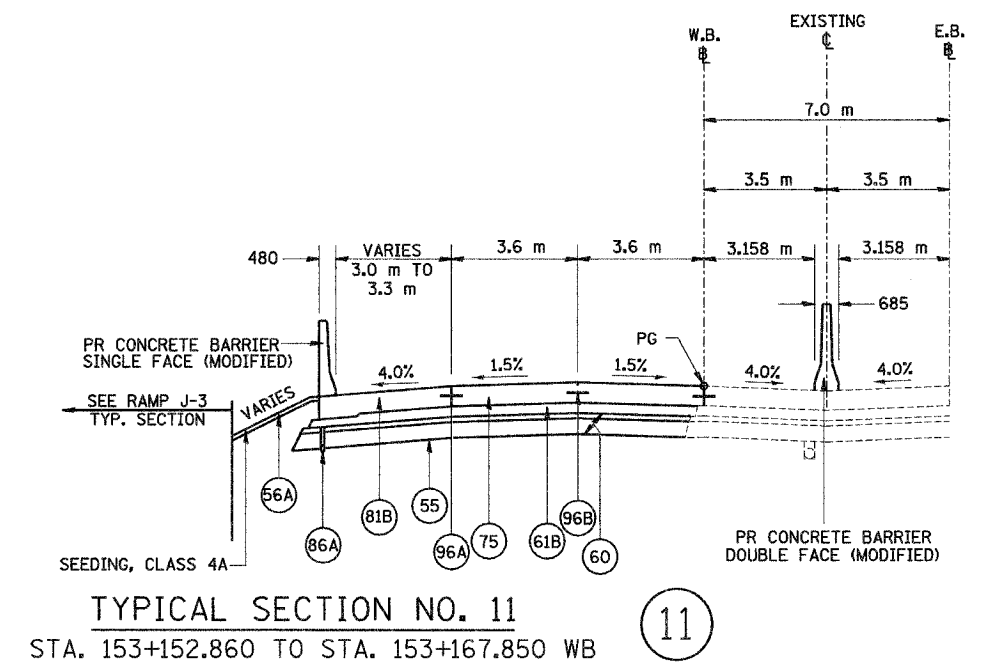
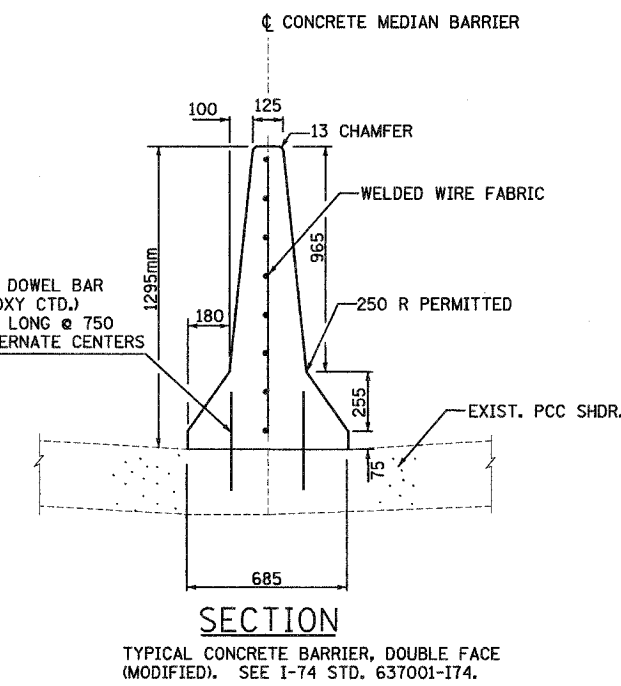
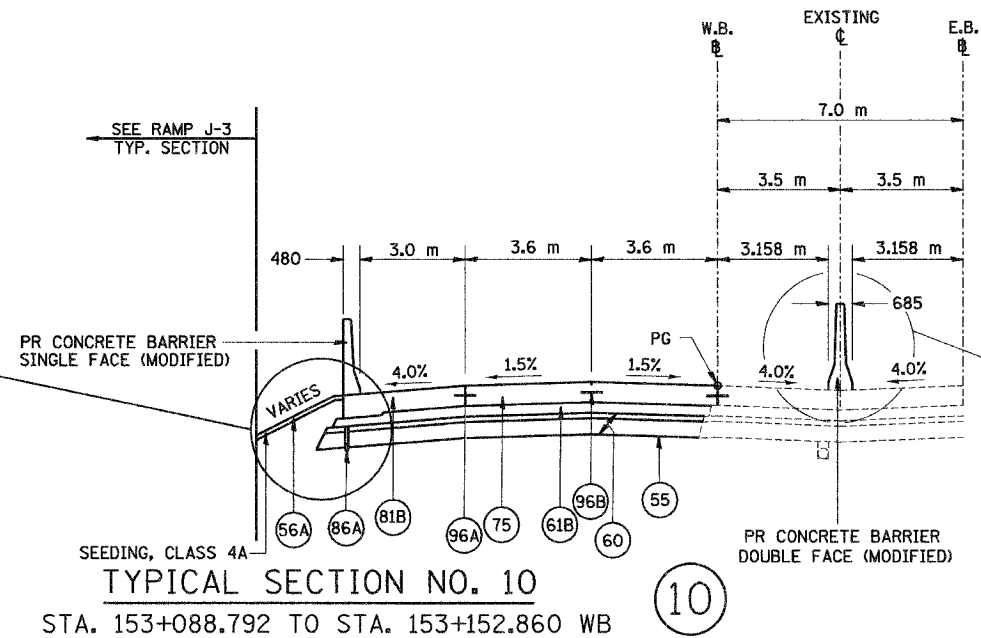
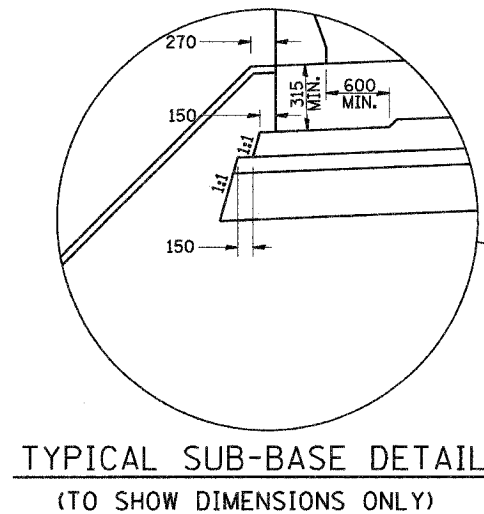
NOTES:  
SHOULDERS ADJACENT TO THE HIGH SIDE OF SUPERELEVATED PAVEMENT SHALL BE 4% OR 8% MINUS THE RATE OF SUPER, WHICHEVER IS LESS. ADJACENT TO THE LOW SIDE OF SUPERELEVATED PAVEMENT SHOULDERS SHALL HAVE A SLOPE OF 4% OR THE RATE OF SUPER, WHICHEVER IS GREATER.  
ALL DIMENSIONS ARE IN MILLIMETERS (mm) UNLESS OTHERWISE STATED.  
(60) IS SHOWN IN TWO LAYERS TO DENOTE THE TWO GRADATIONS THAT MAKE UP THIS PAY ITEM.

REVISIONS		ILLINOIS DEPARTMENT OF TRANSPORTATION FAI ROUTE 74 (I-74) PROPOSED TYPICAL SECTIONS FAI ROUTE 74 (I-74) (WB) NUMBERS 8 & 9
NAME	DATE	
		DRAWN BY DER CHECKED BY MLB DATE 12-20-04



D:\p101\101101\101101.dwg 12/22/2004 7:17:14 AM

F.A.I. RTE.	SECTION	COUNTY	TOTAL SHEETS	SHEET NO.
74	*	TAZEWELL	1366	61
STA.		TO STA.		
FED. ROAD DIST. NO.		ILLINOIS FED. AID PROJECT		
* (90-IDR-2; 9003,14,14-IDR-1				



NOTES:

SHOULDERS ADJACENT TO THE HIGH SIDE OF SUPERELEVATED PAVEMENT SHALL BE 4% OR 8% MINUS THE RATE OF SUPER, WHICHEVER IS LESS. ADJACENT TO THE LOW SIDE OF SUPERELEVATED PAVEMENT SHOULDERS SHALL HAVE A SLOPE OF 4% OR THE RATE OF SUPER, WHICHEVER IS GREATER.

ALL DIMENSIONS ARE IN MILLIMETERS (mm) UNLESS OTHERWISE STATED.

(60) IS SHOWN IN TWO LAYERS TO DENOTE THE TWO GRADATIONS THAT MAKE UP THIS PAY ITEM.

LEGEND		
(55) PR GEOTECHNICAL FABRIC FOR GROUND STABILIZATION	(81A) PR PORTLAND CEMENT CONCRETE SHOULDERS 250 MM	(89K) PR COMB. CONCRETE C&G, TYPE B-15.45
(56A) PR FURNISH AND PLACE TOPSOIL, 100 MM	(81B) PR PORTLAND CEMENT CONCRETE SHOULDERS, 290 MM	(96A) PR LONGITUDINAL CONSTRUCTION JOINT (TYPICAL)
(60) PR AGGREGATE SUB-BASE, 300 MM	(82) PR RETAINING WALL (SEE WALL PLANS)	(96B) PR SAWED LONGITUDINAL JOINT (TYPICAL)
(61A) PR BITUMINOUS CONCRETE BINDER COURSE, SUPERPAVE, IL-19.0L (LOW ESAL), 100MM	(86A) PR PIPE UNDERDRAINS, 100 MM	
(61B) PR BITUMINOUS CONCRETE BINDER COURSE, SUPERPAVE, IL-19.0L (LOW ESAL), 150MM	(86B) PR PIPE UNDERDRAINS, 150 MM	
(71D) PR PORTLAND CEMENT CONCRETE PAVEMENT 250MM (JOINTED)	(88) PR CONCRETE GUTTER, TYPE A (MODIFIED)	
(75) PR CONTINUOUSLY REINFORCED PORTLAND CEMENT CONCRETE PAVEMENT, 290 MM	(89B) PR COMB. CONCRETE C&G, TYPE B-15.60	
(79) PR AGGREGATE SHOULDERS, TYPE B		



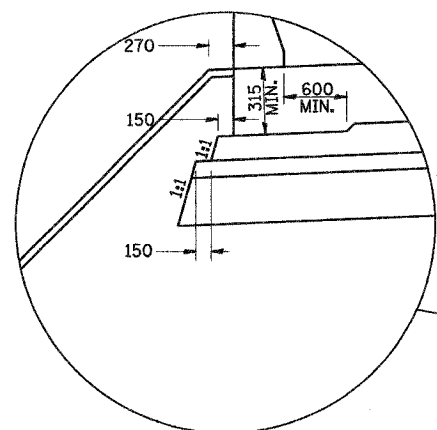
REVISIONS	
NAME	DATE

ILLINOIS DEPARTMENT OF TRANSPORTATION  
 FAI ROUTE 74 (I-74)  
 PROPOSED TYPICAL SECTIONS  
 FAI ROUTE 74 (I-74) (WB)  
 NUMBERS 10 & 11

DATE 12-20-04

DRAWN BY DER  
 CHECKED BY MLB

F.A.I. RTE.	SECTION	COUNTY	TOTAL SHEETS	SHEET NO.
74	*	TAZEWELL	1366	62
STA.		TO STA.		
FED. ROAD DIST. NO.		ILLINOIS FED. AID PROJECT		
* (90-III-2; 90I3,14,14-III-1)				

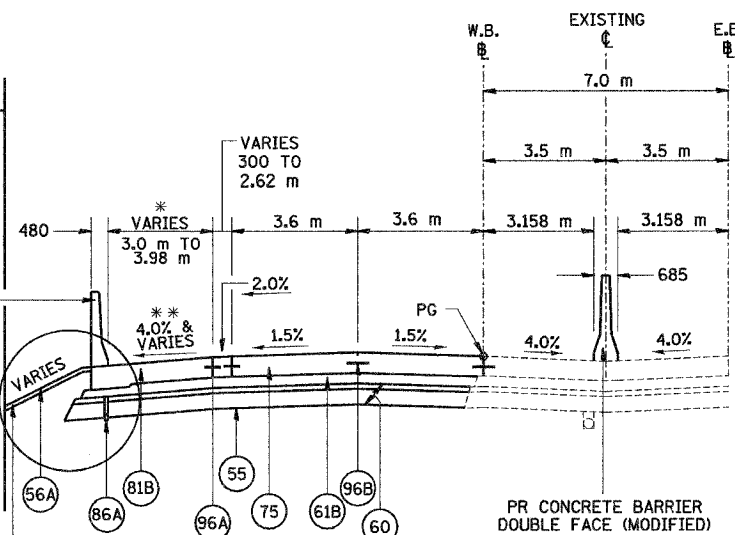


TYPICAL SUB-BASE DETAIL  
(TO SHOW DIMENSIONS ONLY)

SEE RAMP J-3  
TYP. SECTION

PR CONCRETE BARRIER  
SINGLE FACE (MODIFIED)  
END STA. 153+225.000

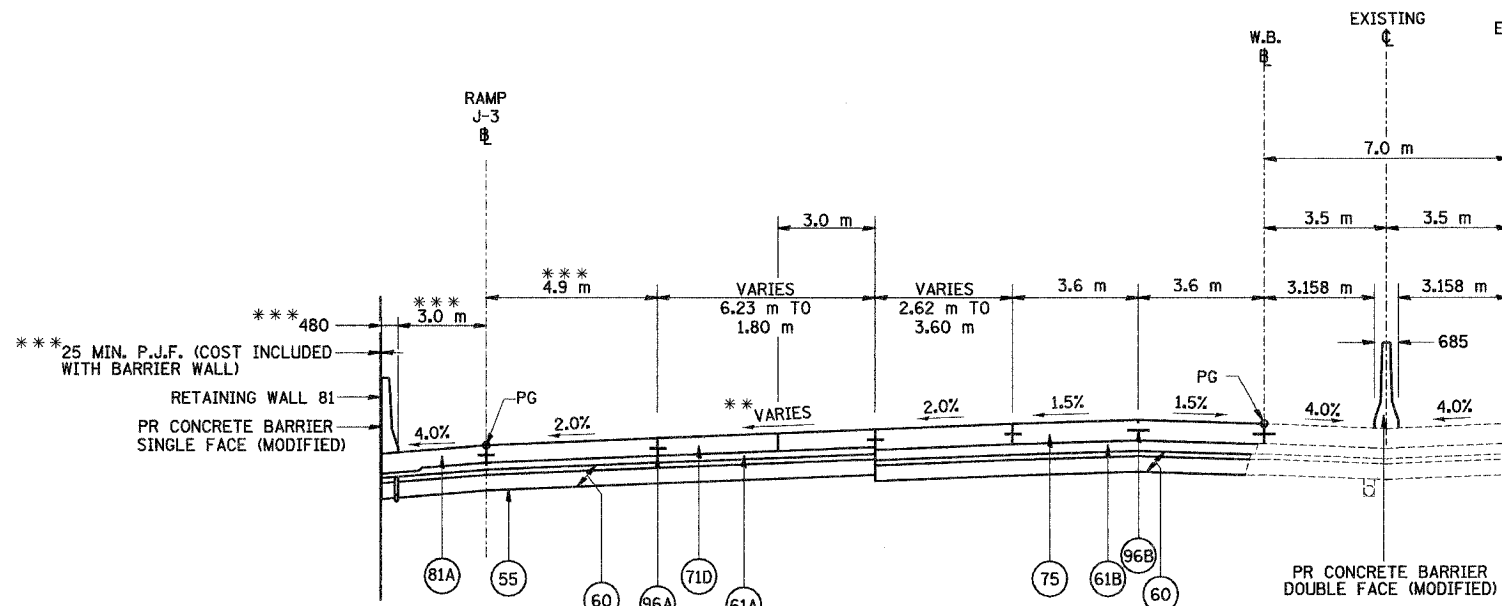
SEEDING, CLASS 4A



TYPICAL SECTION NO. 12

STA. 153+167.850 TO STA. 153+283.550 WB

12



TYPICAL SECTION NO. 13

STA. 153+283.550 TO STA. 153+332.844 WB

13

- \* SEE IMPACT ATTENUATOR DETAIL SHEET
- \*\* SEE RAMP GORE & PAVEMENT JOINT DETAIL SHEET
- \*\*\* AT RIGHT ANGLES TO RAMP J-3

LEGEND			
55	PR GEOTECHNICAL FABRIC FOR GROUND STABILIZATION	89K	PR COMB. CONCRETE C&G, TYPE B-15.45
56A	PR FURNISH AND PLACE TOPSOIL, 100 MM	96A	PR LONGITUDINAL CONSTRUCTION JOINT (TYPICAL)
60	PR AGGREGATE SUB-BASE, 300 MM	96B	PR SAWED LONGITUDINAL JOINT (TYPICAL)
61A	PR BITUMINOUS CONCRETE BINDER COURSE, SUPERPAVE, IL-19.0L (LOW ESAL), 100MM	81A	PR PORTLAND CEMENT CONCRETE SHOULDERS 250 MM
61B	PR BITUMINOUS CONCRETE BINDER COURSE, SUPERPAVE, IL-19.0L (LOW ESAL), 150MM	81B	PR PORTLAND CEMENT CONCRETE SHOULDERS, 290 MM
71D	PR PORTLAND CEMENT CONCRETE PAVEMENT 250MM (JOINTED)	82	PR RETAINING WALL (SEE WALL PLANS)
75	PR CONTINUOUSLY REINFORCED PORTLAND CEMENT CONCRETE PAVEMENT, 290 MM	86A	PR PIPE UNDERDRAINS, 100 MM
79	PR AGGREGATE SHOULDERS, TYPE B	86B	PR PIPE UNDERDRAINS, 150 MM
		88	PR CONCRETE GUTTER, TYPE A (MODIFIED)
		89B	PR COMB. CONCRETE C&G, TYPE B-15.60

NOTES:

SHOULDERS ADJACENT TO THE HIGH SIDE OF SUPERELEVATED PAVEMENT SHALL BE 4% OR 8% MINUS THE RATE OF SUPER, WHICHEVER IS LESS. ADJACENT TO THE LOW SIDE OF SUPERELEVATED PAVEMENT SHOULDERS SHALL HAVE A SLOPE OF 4% OR THE RATE OF SUPER, WHICHEVER IS GREATER.

ALL DIMENSIONS ARE IN MILLIMETERS (mm) UNLESS OTHERWISE STATED.

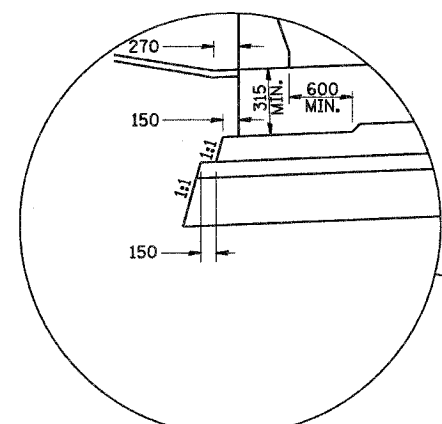
(60) IS SHOWN IN TWO LAYERS TO DENOTE THE TWO GRADATIONS THAT MAKE UP THIS PAY ITEM.

REVISIONS	
NAME	DATE

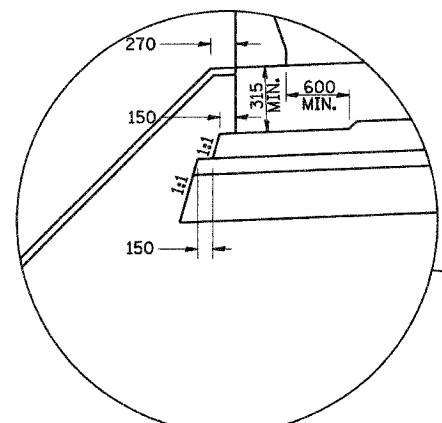
ILLINOIS DEPARTMENT OF TRANSPORTATION  
FAI ROUTE 74 (I-74)  
PROPOSED TYPICAL SECTIONS  
FAI ROUTE 74 (I-74) (WB)  
NUMBERS 12 & 13  
DRAWN BY DER  
CHECKED BY MLB  
DATE 12-20-04



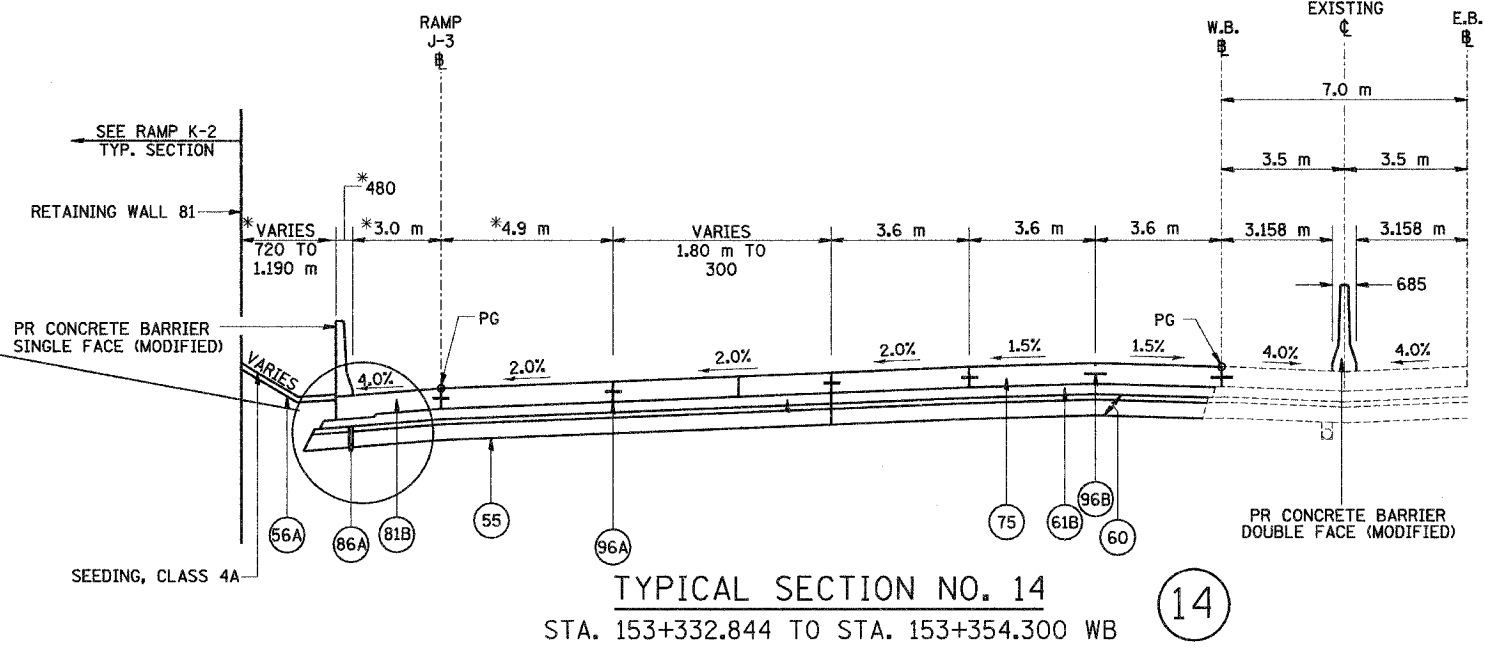
F.A.I. RTE.	SECTION	COUNTY	TOTAL SHEETS	SHEET NO.
74	*	TAZEWELL	1366	63
STA.		TO STA.		
FED. ROAD DIST. NO.		ILLINOIS FED. AID PROJECT		
* 190-IDR-2; 9003,14,14-IDR-1				



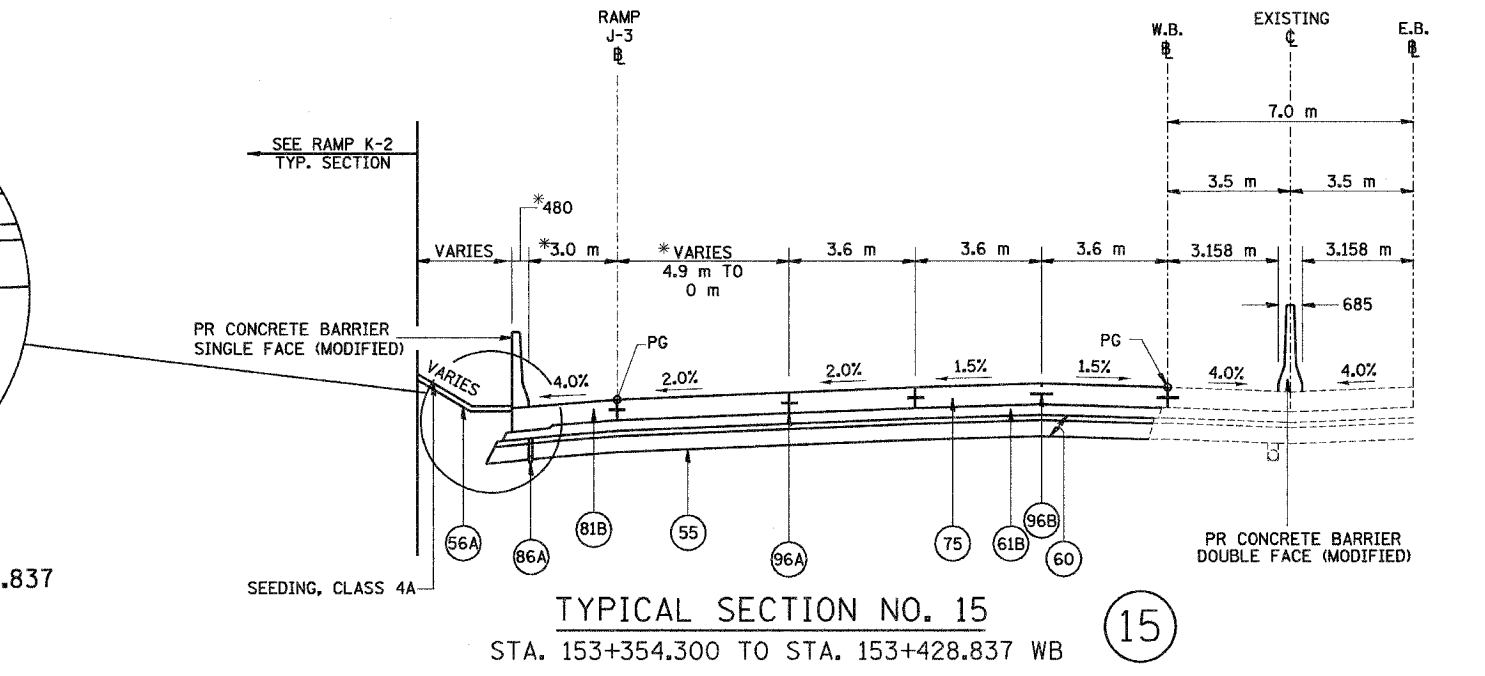
**TYPICAL SUB-BASE DETAIL**  
(TO SHOW DIMENSIONS ONLY)



**DETAIL**  
STA. 153+410 TO STA. 153+428.837



**TYPICAL SECTION NO. 14**  
STA. 153+332.844 TO STA. 153+354.300 WB (14)



**TYPICAL SECTION NO. 15**  
STA. 153+354.300 TO STA. 153+428.837 WB (15)

\*\* SEE RAMP GORE & PAVEMENT JOINT DETAIL SHEET

\* AT RIGHT ANGLES TO RAMP J-3

LEGEND		
(55) PR GEOTECHNICAL FABRIC FOR GROUND STABILIZATION	(81A) PR PORTLAND CEMENT CONCRETE SHOULDERS 250 MM	(89K) PR COMB. CONCRETE C&G, TYPE B-15.45
(56A) PR FURNISH AND PLACE TOPSOIL, 100 MM	(81B) PR PORTLAND CEMENT CONCRETE SHOULDERS, 290 MM	(96A) PR LONGITUDINAL CONSTRUCTION JOINT (TYPICAL)
(60) PR AGGREGATE SUB-BASE, 300 MM	(82) PR RETAINING WALL (SEE WALL PLANS)	(96B) PR SAWED LONGITUDINAL JOINT (TYPICAL)
(61A) PR BITUMINOUS CONCRETE BINDER COURSE, SUPERPAVE, IL-19.0L (LOW ESAL), 100MM	(86A) PR PIPE UNDERDRAINS, 100 MM	
(61B) PR BITUMINOUS CONCRETE BINDER COURSE, SUPERPAVE, IL-19.0L (LOW ESAL), 150MM	(86B) PR PIPE UNDERDRAINS, 150 MM	
(71D) PR PORTLAND CEMENT CONCRETE PAVEMENT 250MM (JOINTED)	(88) PR CONCRETE GUTTER, TYPE A (MODIFIED)	
(75) PR CONTINUOUSLY REINFORCED PORTLAND CEMENT CONCRETE PAVEMENT, 290 MM	(89B) PR COMB. CONCRETE C&G, TYPE B-15.60	
(79) PR AGGREGATE SHOULDERS, TYPE B		

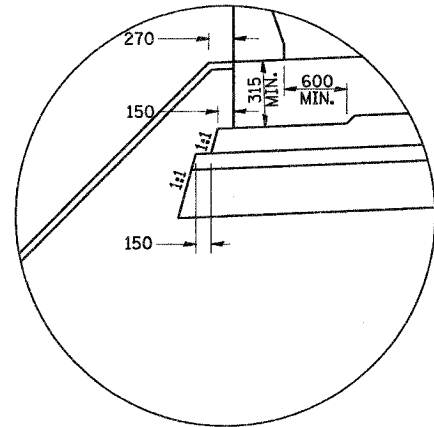
NOTES:  
 SHOULDERS ADJACENT TO THE HIGH SIDE OF SUPERELEVATED PAVEMENT SHALL BE 4% OR 8% MINUS THE RATE OF SUPER, WHICHEVER IS LESS. ADJACENT TO THE LOW SIDE OF SUPERELEVATED PAVEMENT SHOULDERS SHALL HAVE A SLOPE OF 4% OR THE RATE OF SUPER, WHICHEVER IS GREATER.  
 ALL DIMENSIONS ARE IN MILLIMETERS (mm) UNLESS OTHERWISE STATED.  
 (60) IS SHOWN IN TWO LAYERS TO DENOTE THE TWO GRADATIONS THAT MAKE UP THIS PAY ITEM.

REVISIONS	
NAME	DATE

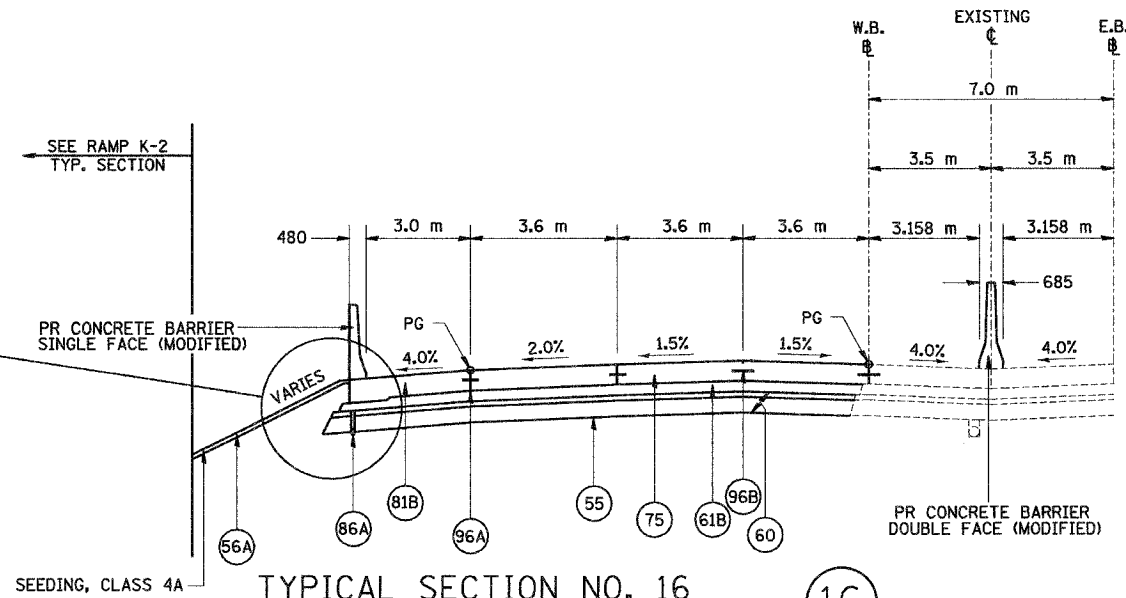
ILLINOIS DEPARTMENT OF TRANSPORTATION  
 FAI ROUTE 74 (I-74)  
**PROPOSED TYPICAL SECTIONS**  
 FAI ROUTE 74 (I-74) (WB)  
 NUMBERS 14 & 15  
 DRAWN BY DER  
 CHECKED BY MLB  
 DATE 12-20-04



F.A.I. RTE.	SECTION	COUNTY	TOTAL SHEETS	SHEET NO.
74	*	TAZEWELL	1366	64
STA.		TO STA.		
FED. ROAD DIST. NO.		ILLINOIS FED. AID PROJECT		
* (90-IDR-2; 90I3,14,14-IDR-1				

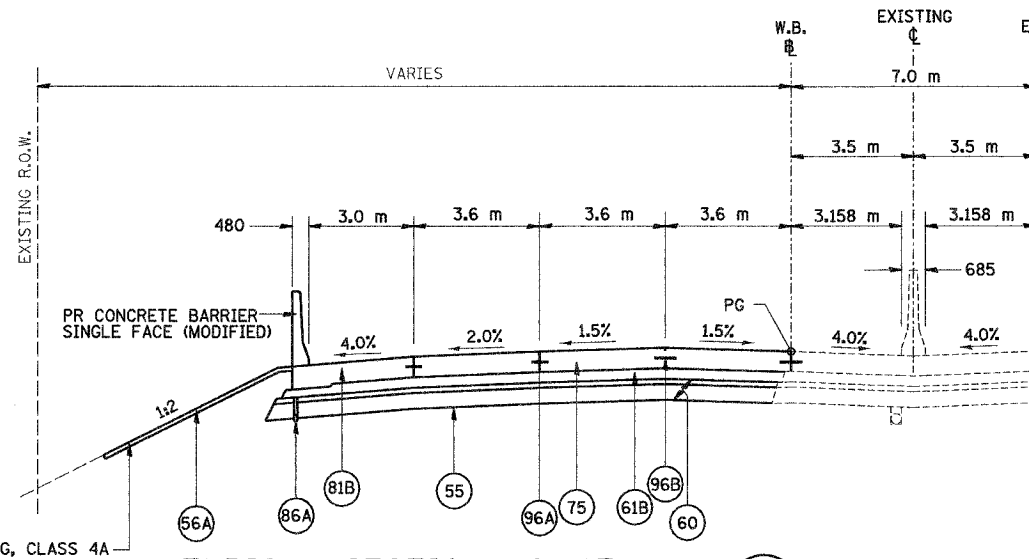


TYPICAL SUB-BASE DETAIL  
(TO SHOW DIMENSIONS ONLY)



TYPICAL SECTION NO. 16

STA. 153+428.837 TO STA. 153+487.485 WB  
(BRIDGE APPROACH PAVEMENT STA. 153+487.485 WB TO STA. 153+496.485)  
(BRIDGE OMISSION SN 090-0009 STA. 153+496.485 WB TO STA. 153+741.610)  
(BRIDGE APPROACH PAVEMENT STA. 153+741.610 WB TO STA. 153+750.610)



TYPICAL SECTION NO. 17

STA. 153+750.610 TO STA. 153+791.866 WB

LEGEND		
(55) PR GEOTECHNICAL FABRIC FOR GROUND STABILIZATION	(81A) PR PORTLAND CEMENT CONCRETE SHOULDERS 250 MM	(89K) PR COMB. CONCRETE C&G, TYPE B-15.45
(56A) PR FURNISH AND PLACE TOPSOIL, 100 MM	(81B) PR PORTLAND CEMENT CONCRETE SHOULDERS, 290 MM	(96A) PR LONGITUDINAL CONSTRUCTION JOINT (TYPICAL)
(60) PR AGGREGATE SUB-BASE, 300 MM	(82) PR RETAINING WALL (SEE WALL PLANS)	(96B) PR SAWED LONGITUDINAL JOINT (TYPICAL)
(61A) PR BITUMINOUS CONCRETE BINDER COURSE, SUPERPAVE, IL-19.0L (LOW ESAL), 100MM	(86A) PR PIPE UNDERDRAINS, 100 MM	
(61B) PR BITUMINOUS CONCRETE BINDER COURSE, SUPERPAVE, IL-19.0L (LOW ESAL), 150MM	(86B) PR PIPE UNDERDRAINS, 150 MM	
(71D) PR PORTLAND CEMENT CONCRETE PAVEMENT 250MM (JOINTED)	(88) PR CONCRETE GUTTER, TYPE A (MODIFIED)	
(75) PR CONTINUOUSLY REINFORCED PORTLAND CEMENT CONCRETE PAVEMENT, 290 MM	(89B) PR COMB. CONCRETE C&G, TYPE B-15.60	
(79) PR AGGREGATE SHOULDERS, TYPE B		

NOTES:  
SHOULDERS ADJACENT TO THE HIGH SIDE OF SUPERELEVATED PAVEMENT SHALL BE 4% OR 8% MINUS THE RATE OF SUPER, WHICHEVER IS LESS. ADJACENT TO THE LOW SIDE OF SUPERELEVATED PAVEMENT SHOULDERS SHALL HAVE A SLOPE OF 4% OR THE RATE OF SUPER, WHICHEVER IS GREATER.

ALL DIMENSIONS ARE IN MILLIMETERS (mm) UNLESS OTHERWISE STATED.

(60) IS SHOWN IN TWO LAYERS TO DENOTE THE TWO GRADATIONS THAT MAKE UP THIS PAY ITEM.

REVISIONS	
NAME	DATE

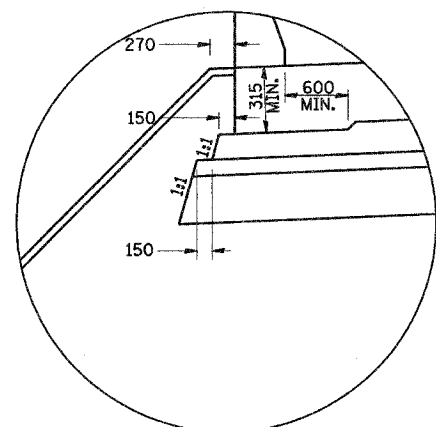
ILLINOIS DEPARTMENT OF TRANSPORTATION  
FAI ROUTE 74 (I-74)  
PROPOSED TYPICAL SECTIONS  
FAI ROUTE 74 (I-74) (WB)  
NUMBERS 16 & 17



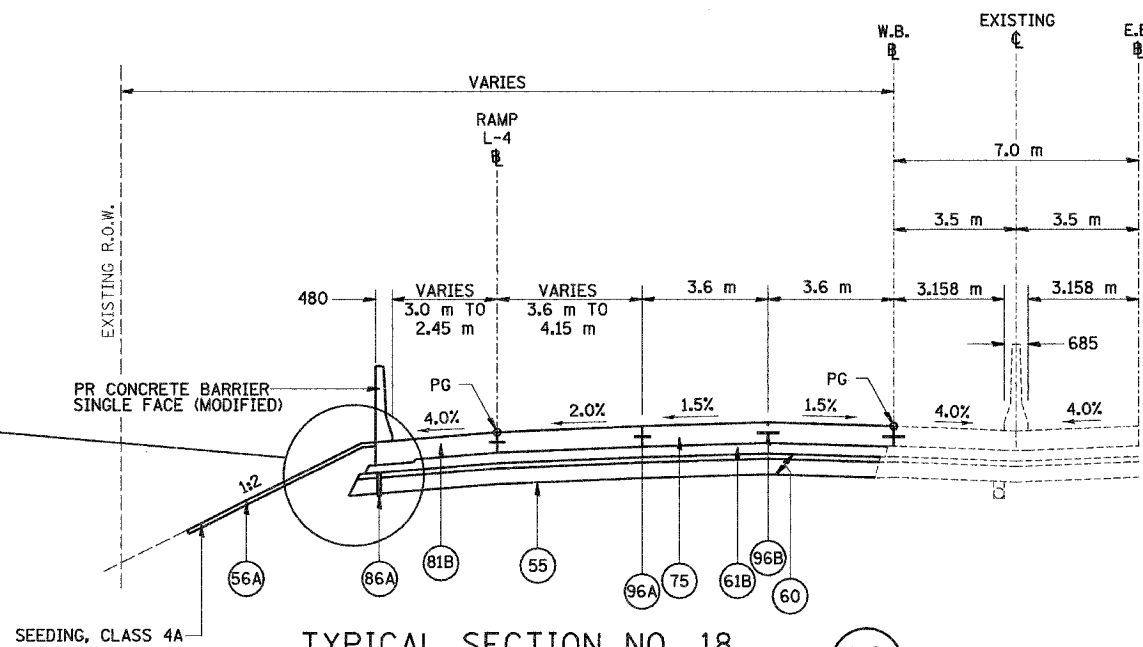
DATE 12-20-04  
DRAWN BY DER  
CHECKED BY MLB



F.A.I. RTE.	SECTION	COUNTY	TOTAL SHEETS	SHEET NO.
74	*	TAZEWELL	1366	65
STA.		TO STA.		
FED. ROAD DIST. NO.		ILLINOIS FED. AID PROJECT		
* (90-IBR-2; 90G3,14,14-IBR-1)				



**TYPICAL SUB-BASE DETAIL**  
(TO SHOW DIMENSIONS ONLY)



**TYPICAL SECTION NO. 18**

STA. 153+791.866 TO STA. 153+819.180 WB  
(BRIDGE APPROACH PAVEMENT STA. 153+819.180 WB TO STA. 153+828.180)  
(BRIDGE OMISSION SN 090-0163 STA. 153+828.180 TO STA. 153+892.180 WB)

18

LEGEND			
55	PR GEOTECHNICAL FABRIC FOR GROUND STABILIZATION	89K	PR COMB. CONCRETE C&G, TYPE B-15.45
56A	PR FURNISH AND PLACE TOPSOIL, 100 MM	96A	PR LONGITUDINAL CONSTRUCTION JOINT (TYPICAL)
60	PR AGGREGATE SUB-BASE, 300 MM	96B	PR SAWED LONGITUDINAL JOINT (TYPICAL)
61A	PR BITUMINOUS CONCRETE BINDER COURSE, SUPERPAVE, IL-19.0L (LOW ESAL), 100MM	81A	PR PORTLAND CEMENT CONCRETE SHOULDERS 250 MM
61B	PR BITUMINOUS CONCRETE BINDER COURSE, SUPERPAVE, IL-19.0L (LOW ESAL), 150MM	81B	PR PORTLAND CEMENT CONCRETE SHOULDERS, 290 MM
71D	PR PORTLAND CEMENT CONCRETE PAVEMENT 250MM (JOINTED)	82	PR RETAINING WALL (SEE WALL PLANS)
75	PR CONTINUOUSLY REINFORCED PORTLAND CEMENT CONCRETE PAVEMENT, 290 MM	86A	PR PIPE UNDERDRAINS, 100 MM
79	PR AGGREGATE SHOULDERS, TYPE B	86B	PR PIPE UNDERDRAINS, 150 MM
		88	PR CONCRETE GUTTER, TYPE A (MODIFIED)
		89B	PR COMB. CONCRETE C&G, TYPE B-15.60

NOTES: SHOULDERS ADJACENT TO THE HIGH SIDE OF SUPERELEVATED PAVEMENT SHALL BE 4% OR 8% MINUS THE RATE OF SUPER, WHICHEVER IS LESS. ADJACENT TO THE LOW SIDE OF SUPERELEVATED PAVEMENT SHOULDERS SHALL HAVE A SLOPE OF 4% OR THE RATE OF SUPER, WHICHEVER IS GREATER.

ALL DIMENSIONS ARE IN MILLIMETERS (mm) UNLESS OTHERWISE STATED.

60 IS SHOWN IN TWO LAYERS TO DENOTE THE TWO GRADATIONS THAT MAKE UP THIS PAY ITEM.

REVISIONS	
NAME	DATE

ILLINOIS DEPARTMENT OF TRANSPORTATION  
FAI ROUTE 74 (I-74)  
PROPOSED TYPICAL SECTIONS  
FAI ROUTE 74 (I-74) (WB)  
NUMBER 18

DATE 12-20-04

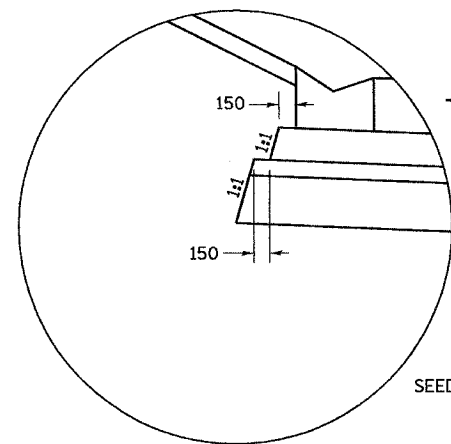
DRAWN BY DER  
CHECKED BY MLB



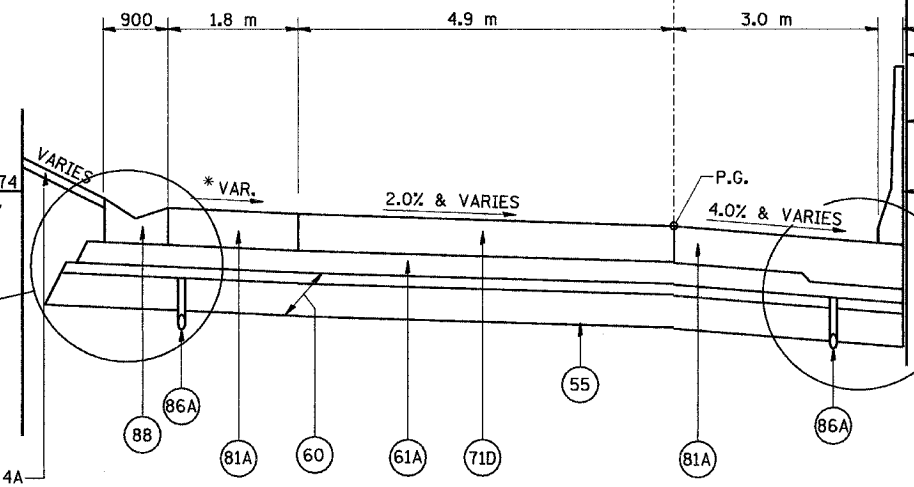
D:\pbase2\work\11011-5m\12/21/2004 9:36:52 AM

68201				
F.A.I. RTE.	SECTION	COUNTY	TOTAL SHEETS	SHEET NO.
74	*	TAZEWELL	1366	66
STA.	TO STA.			
FED. ROAD DIST. NO.	ILLINOIS FED. AID PROJECT			
* (90-11R-2) 90(13,14)14-1R-1				

\* VARIES FROM +4.49% @ STA. 10+145.073 TO +0.56% @ STA. 10+190.620



TYPICAL SUB-BASE DETAIL  
(FOR DIMENSIONS ONLY)



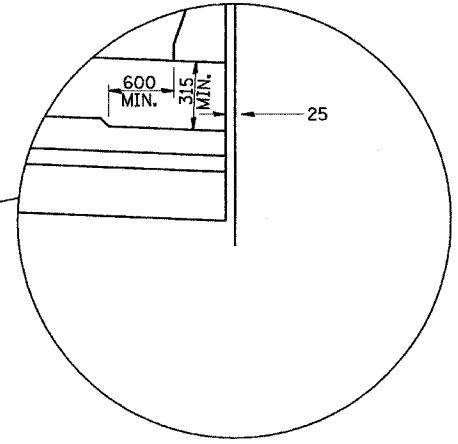
RAMP J-3  
STA. 10+145.073 TO STA. 10+190.620 (19)

SEE RAMP K-2  
TYP. SECT.

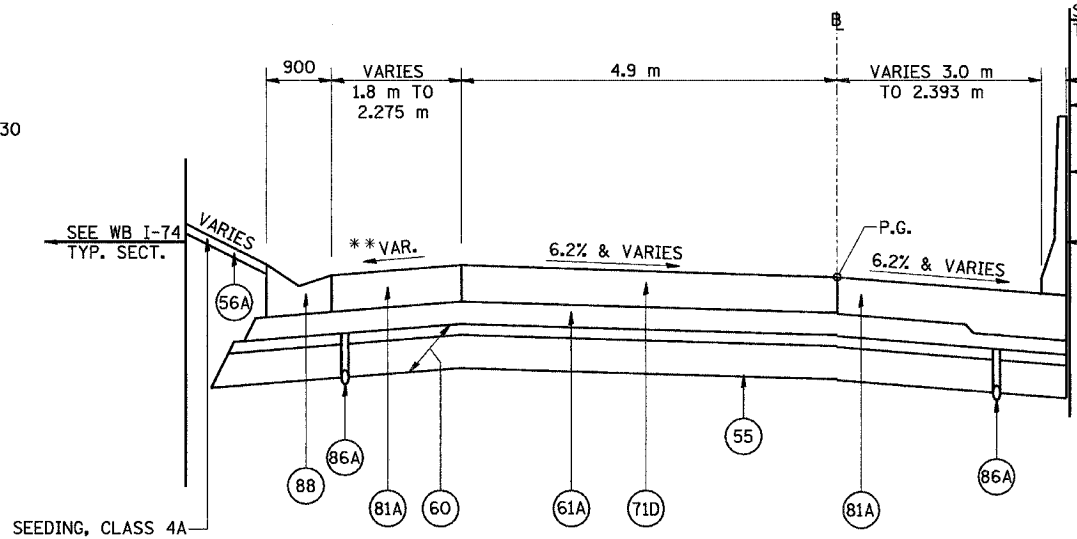
480  
25 MIN. P.J.F. (COST INCLUDED WITH BARRIER WALL)

RETAINING WALL NO. 81

PR CONCRETE BARRIER SINGLE FACE (MODIFIED)



\*\* VARIES FROM +0.56% @ STA. 10+190.620 TO -1.36% @ STA. 10+212.930



RAMP J-3  
STA. 10+190.620 TO STA. 10+212.930 (20)

SEE RAMP K-2  
TYP. SECT.

480  
25 MIN. P.J.F. (COST INCLUDED WITH BARRIER WALL)

RETAINING WALL NO. 81

PR CONCRETE BARRIER SINGLE FACE (MODIFIED)

LEGEND		
(55) PR GEOTECHNICAL FABRIC FOR GROUND STABILIZATION	(81A) PR PORTLAND CEMENT CONCRETE SHOULDERS 250 MM	(89K) PR COMB. CONCRETE C&G, TYPE B-15.45
(56A) PR FURNISH AND PLACE TOPSOIL, 100 MM	(81B) PR PORTLAND CEMENT CONCRETE SHOULDERS, 290 MM	(96A) PR LONGITUDINAL CONSTRUCTION JOINT (TYPICAL)
(60) PR AGGREGATE SUB-BASE, 300 MM	(82) PR RETAINING WALL (SEE WALL PLANS)	(96B) PR SAWED LONGITUDINAL JOINT (TYPICAL)
(61A) PR BITUMINOUS CONCRETE BINDER COURSE, SUPERPAVE, IL-19.0L (LOW ESAL), 100MM	(86A) PR PIPE UNDERDRAINS, 100 MM	
(61B) PR BITUMINOUS CONCRETE BINDER COURSE, SUPERPAVE, IL-19.0L (LOW ESAL), 150MM	(86B) PR PIPE UNDERDRAINS, 150 MM	
(71D) PR PORTLAND CEMENT CONCRETE PAVEMENT 250MM (JOINTED)	(88) PR CONCRETE GUTTER, TYPE A (MODIFIED)	
(75) PR CONTINUOUSLY REINFORCED PORTLAND CEMENT CONCRETE PAVEMENT, 290 MM	(89B) PR COMB. CONCRETE C&G, TYPE B-15.60	
(79) PR AGGREGATE SHOULDERS, TYPE B		

NOTES:

SHOULDERS ADJACENT TO THE HIGH SIDE OF SUPERELEVATED PAVEMENT SHALL BE 4% OR 8% MINUS THE RATE OF SUPER, WHICHEVER IS LESS. ADJACENT TO THE LOW SIDE OF SUPERELEVATED PAVEMENT SHOULDERS SHALL HAVE A SLOPE OF 4% OR THE RATE OF SUPER, WHICHEVER IS GREATER.

SEE SCHEDULE AND SPECIAL PROVISIONS FOR APPROXIMATE CONCRETE SHALE CAP LIMITS.

ALL DIMENSIONS ARE IN MILLIMETERS (mm) UNLESS OTHERWISE STATED.

(60) IS SHOWN IN TWO LAYERS TO DENOTE THE TWO GRADATIONS THAT MAKE UP THIS PAY ITEM.

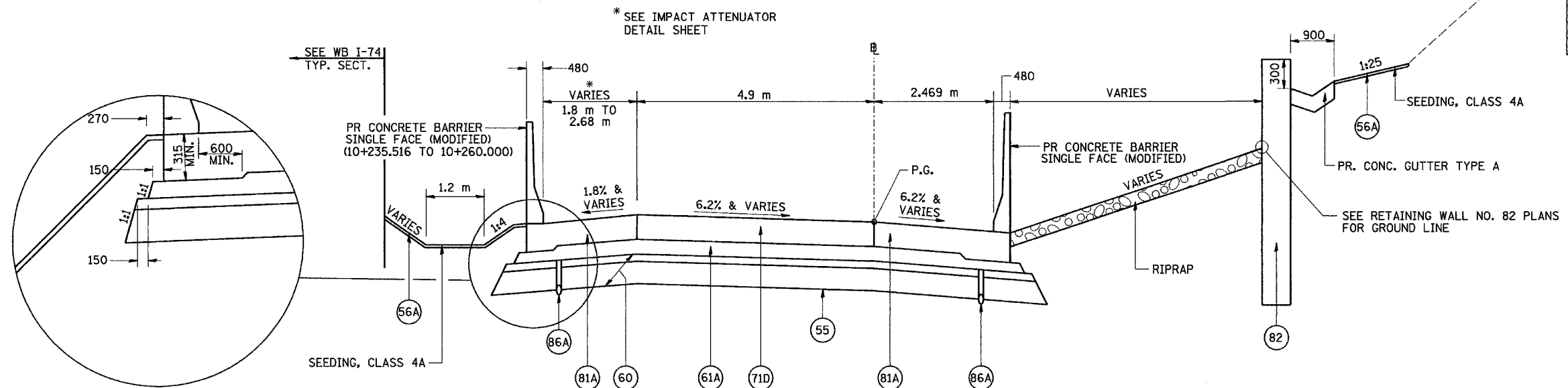
REVISIONS	
NAME	DATE

ILLINOIS DEPARTMENT OF TRANSPORTATION  
FAI ROUTE 74 (I-74)  
PROPOSED TYPICAL SECTIONS  
RAMP J-3  
NUMBERS 19 & 20

**URS**  
URS CORPORATION  
ST. LOUIS, MO

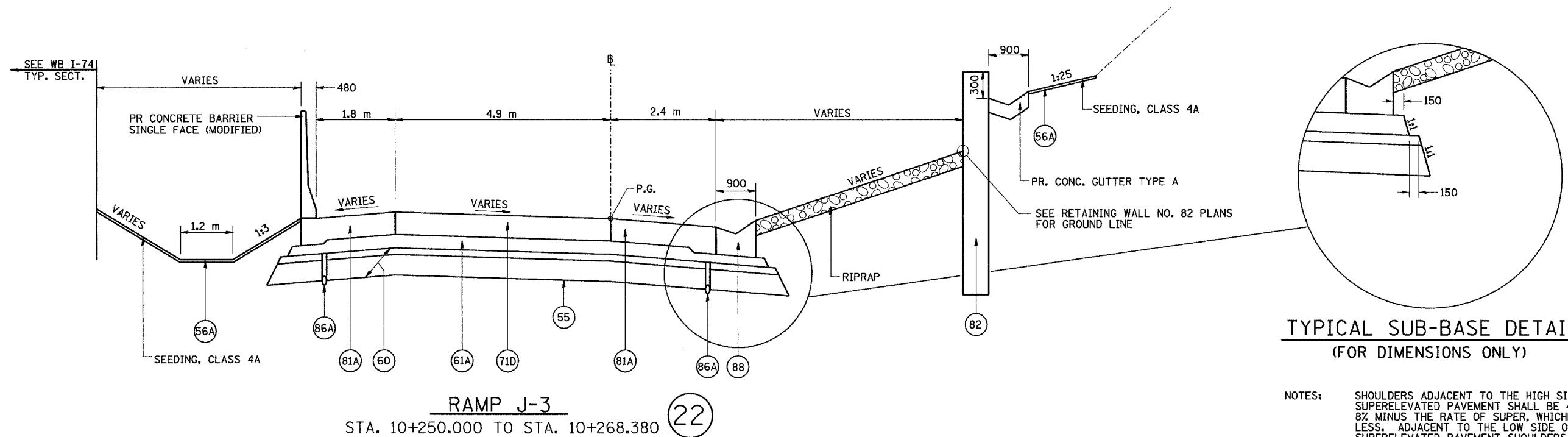
DATE 12/20/04  
DRAWN BY DER  
CHECKED BY MLB

F.A.I. RTE.	SECTION	COUNTY	TOTAL SHEETS	SHEET NO.
74	*	TAZEWELL	1366	67
STA. TO STA.				
FED. ROAD DIST. NO.		ILLINOIS FED. AID PROJECT		
* (90-11R-2; 90(13,14,14-1R-1				



**TYPICAL SUB-BASE DETAIL**  
(FOR DIMENSIONS ONLY)

**RAMP J-3**  
STA. 10+212.930 TO STA. 10+250.000 (21)



**TYPICAL SUB-BASE DETAIL**  
(FOR DIMENSIONS ONLY)

**RAMP J-3**  
STA. 10+250.000 TO STA. 10+268.380 (22)

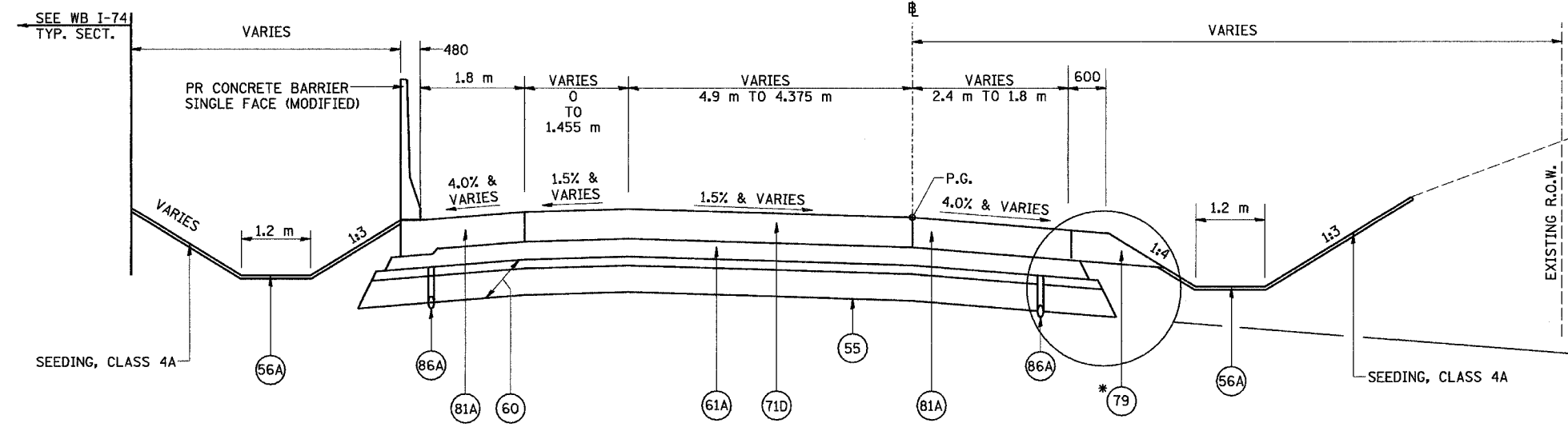
NOTES:  
 SHOULDERS ADJACENT TO THE HIGH SIDE OF SUPERELEVATED PAVEMENT SHALL BE 4% OR 8% MINUS THE RATE OF SUPER, WHICHEVER IS LESS. ADJACENT TO THE LOW SIDE OF SUPERELEVATED PAVEMENT SHOULDERS SHALL HAVE A SLOPE OF 4% OR THE RATE OF SUPER, WHICHEVER IS GREATER.  
 SEE SCHEDULE AND SPECIAL PROVISIONS FOR APPROXIMATE CONCRETE SHALE CAP LIMITS.  
 ALL DIMENSIONS ARE IN MILLIMETERS (mm) UNLESS OTHERWISE STATED.  
 (60) IS SHOWN IN TWO LAYERS TO DENOTE THE TWO GRADATIONS THAT MAKE UP THIS PAY ITEM.

LEGEND		
(55) PR GEOTECHNICAL FABRIC FOR GROUND STABILIZATION	(81A) PR PORTLAND CEMENT CONCRETE SHOULDERS 250 MM	(89K) PR COMB. CONCRETE C&G, TYPE B-15.45
(56A) PR FURNISH AND PLACE TOPSOIL, 100 MM	(81B) PR PORTLAND CEMENT CONCRETE SHOULDERS, 290 MM	(96A) PR LONGITUDINAL CONSTRUCTION JOINT (TYPICAL)
(60) PR AGGREGATE SUB-BASE, 300 MM	(82) PR RETAINING WALL (SEE WALL PLANS)	(96B) PR SAWED LONGITUDINAL JOINT (TYPICAL)
(61A) PR BITUMINOUS CONCRETE BINDER COURSE, SUPERPAVE, IL-19.0L (LOW ESAL), 100MM	(86A) PR PIPE UNDERDRAINS, 100 MM	
(61B) PR BITUMINOUS CONCRETE BINDER COURSE, SUPERPAVE, IL-19.0L (LOW ESAL), 150MM	(86B) PR PIPE UNDERDRAINS, 150 MM	
(71D) PR PORTLAND CEMENT CONCRETE PAVEMENT 250MM (JOINTED)	(88) PR CONCRETE GUTTER, TYPE A (MODIFIED)	
(75) PR CONTINUOUSLY REINFORCED PORTLAND CEMENT CONCRETE PAVEMENT, 290 MM	(89B) PR COMB. CONCRETE C&G, TYPE B-15.60	
(79) PR AGGREGATE SHOULDERS, TYPE B		

REVISIONS		ILLINOIS DEPARTMENT OF TRANSPORTATION FAI ROUTE 74 (I-74) PROPOSED TYPICAL SECTIONS RAMP J-3 NUMBERS 21 & 22
NAME	DATE	
		DRAWN BY DER CHECKED BY MLB DATE 12/20/04

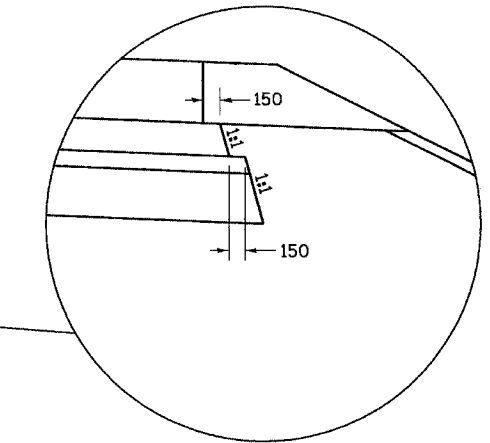


F.A.I. RTE.	SECTION	COUNTY	TOTAL SHEETS	SHEET NO.
74	*	TAZEWELL	1366	68
STA. TO STA.				
FED. ROAD DIST. NO.		ILLINOIS FED. AID PROJECT		
* (90-10R-2; 90(13,14,14-1R-1				

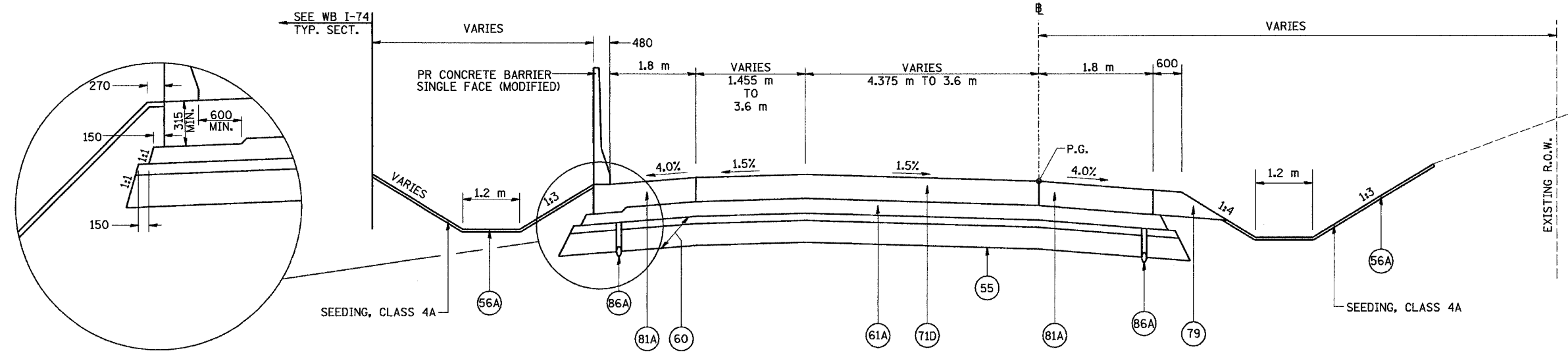


**RAMP J-3**  
STA. 10+268.380 TO STA. 10+286.600 (23)

\* CONCRETE GUTTER, TYPE A (MODIFIED)  
STA. 10+268.380 TO 10+275.000  
TYPE A GUTTER OUTLET  
STA. 10+275.000 TO 10+286.600



**TYPICAL SUB-BASE DETAIL**  
(FOR DIMENSIONS ONLY)



**TYPICAL SUB-BASE DETAIL**  
(FOR DIMENSIONS ONLY)

**RAMP J-3**  
STA. 10+286.600 TO STA. 10+313.380 (24)

NOTES:  
SHOULDERS ADJACENT TO THE HIGH SIDE OF SUPERELEVATED PAVEMENT SHALL BE 4% OR 8% MINUS THE RATE OF SUPER, WHICHEVER IS LESS. ADJACENT TO THE LOW SIDE OF SUPERELEVATED PAVEMENT SHOULDERS SHALL HAVE A SLOPE OF 4% OR THE RATE OF SUPER, WHICHEVER IS GREATER.

SEE SCHEDULE AND SPECIAL PROVISIONS FOR APPROXIMATE CONCRETE SHALE CAP LIMITS.

ALL DIMENSIONS ARE IN MILLIMETERS (mm) UNLESS OTHERWISE STATED.

(60) IS SHOWN IN TWO LAYERS TO DENOTE THE TWO GRADATIONS THAT MAKE UP THIS PAY ITEM.

LEGEND		
(55) PR GEOTECHNICAL FABRIC FOR GROUND STABILIZATION	(81A) PR PORTLAND CEMENT CONCRETE SHOULDERS 250 MM	(89K) PR COMB. CONCRETE C&G, TYPE B-15.45
(56A) PR FURNISH AND PLACE TOPSOIL, 100 MM	(81B) PR PORTLAND CEMENT CONCRETE SHOULDERS, 290 MM	(96A) PR LONGITUDINAL CONSTRUCTION JOINT (TYPICAL)
(60) PR AGGREGATE SUB-BASE, 300 MM	(82) PR RETAINING WALL (SEE WALL PLANS)	(96B) PR SAWED LONGITUDINAL JOINT (TYPICAL)
(61A) PR BITUMINOUS CONCRETE BINDER COURSE, SUPERPAVE, IL-19.0L (LOW ESAL), 100MM	(86A) PR PIPE UNDERDRAINS, 100 MM	
(61B) PR BITUMINOUS CONCRETE BINDER COURSE, SUPERPAVE, IL-19.0L (LOW ESAL), 150MM	(86B) PR PIPE UNDERDRAINS, 150 MM	
(71D) PR PORTLAND CEMENT CONCRETE PAVEMENT 250MM (JOINTED)	(88) PR CONCRETE GUTTER, TYPE A (MODIFIED)	
(75) PR CONTINUOUSLY REINFORCED PORTLAND CEMENT CONCRETE PAVEMENT, 290 MM	(89B) PR COMB. CONCRETE C&G, TYPE B-15.60	
(79) PR AGGREGATE SHOULDERS, TYPE B		

REVISIONS	
NAME	DATE

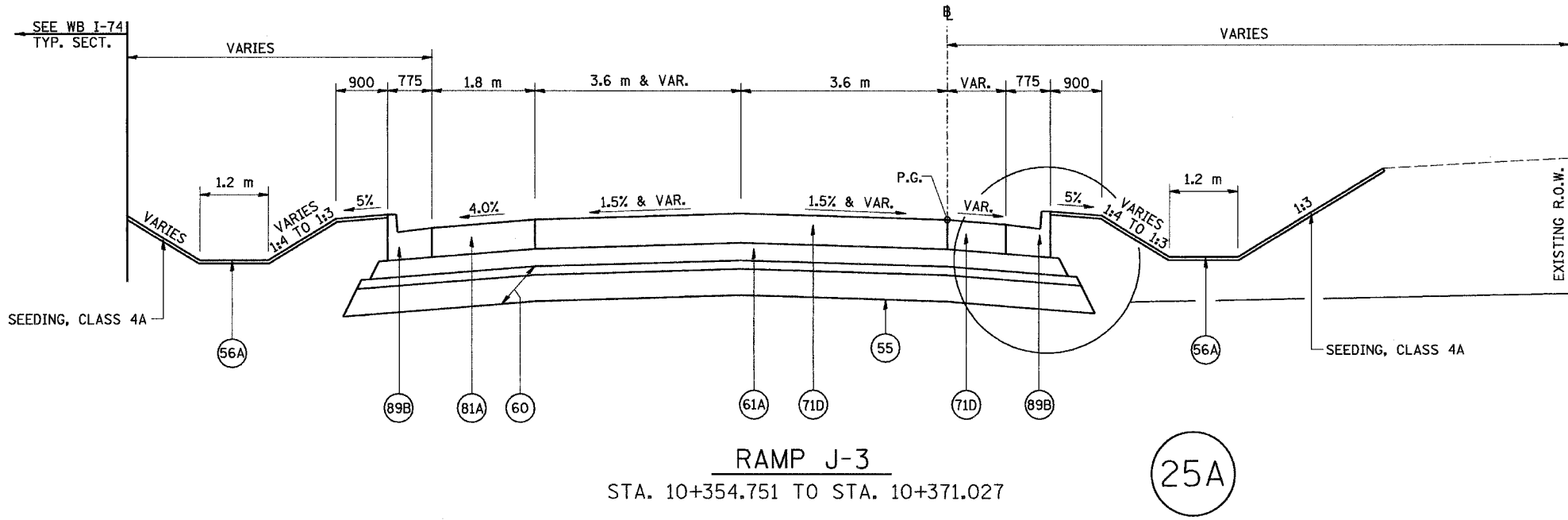
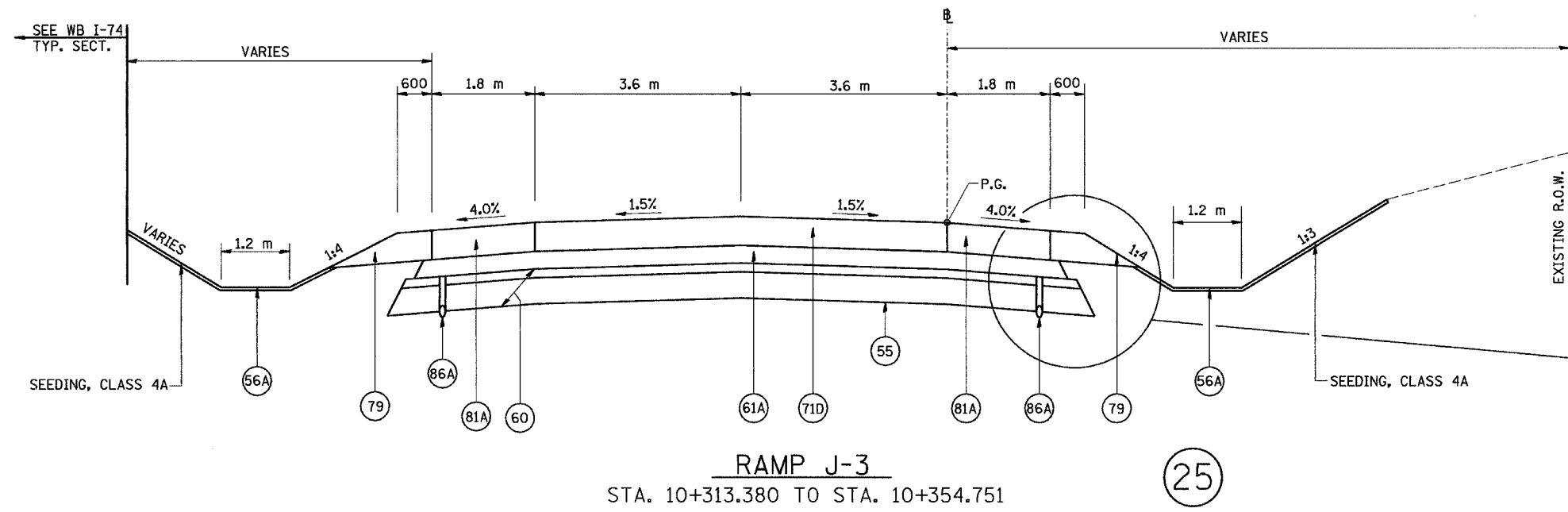
ILLINOIS DEPARTMENT OF TRANSPORTATION  
FAI ROUTE 74 (I-74)  
**PROPOSED TYPICAL SECTIONS**  
**RAMP J-3**  
**NUMBERS 23 & 24**



DATE 12/20/04  
DRAWN BY DER  
CHECKED BY MLB

F.A.I. RTE.	SECTION	COUNTY	SHEET NO.	SHEET NO.
74	*	TAZEWELL	1366	69
STA.	TO STA.			
FED. ROAD DIST. NO.	ILLINOIS FED. AID PROJECT			

\* (90-11R-2; 90(13,14,14-1R-1)



LEGEND	
(55) PR GEOTECHNICAL FABRIC FOR GROUND STABILIZATION	(81A) PR PORTLAND CEMENT CONCRETE SHOULDERS 250 MM
(56A) PR FURNISH AND PLACE TOPSOIL, 100 MM	(81B) PR PORTLAND CEMENT CONCRETE SHOULDERS, 290 MM
(60) PR AGGREGATE SUB-BASE, 300 MM	(82) PR RETAINING WALL (SEE WALL PLANS)
(61A) PR BITUMINOUS CONCRETE BINDER COURSE, SUPERPAVE, IL-19.0L (LOW ESAL), 100MM	(86A) PR PIPE UNDERDRAINS, 100 MM
(61B) PR BITUMINOUS CONCRETE BINDER COURSE, SUPERPAVE, IL-19.0L (LOW ESAL), 150MM	(86B) PR PIPE UNDERDRAINS, 150 MM
(71D) PR PORTLAND CEMENT CONCRETE PAVEMENT 250MM (JOINTED)	(88) PR CONCRETE GUTTER, TYPE A (MODIFIED)
(75) PR CONTINUOUSLY REINFORCED PORTLAND CEMENT CONCRETE PAVEMENT, 290 MM	(89B) PR COMB. CONCRETE C&G, TYPE B-15.60
(79) PR AGGREGATE SHOULDERS, TYPE B	

NOTES:

SHOULDERS ADJACENT TO THE HIGH SIDE OF SUPERELEVATED PAVEMENT SHALL BE 4% OR 8% MINUS THE RATE OF SUPER, WHICHEVER IS LESS. ADJACENT TO THE LOW SIDE OF SUPERELEVATED PAVEMENT SHOULDERS SHALL HAVE A SLOPE OF 4% OR THE RATE OF SUPER, WHICHEVER IS GREATER.

SEE SCHEDULE AND SPECIAL PROVISIONS FOR APPROXIMATE CONCRETE SHALE CAP LIMITS.

ALL DIMENSIONS ARE IN MILLIMETERS (mm) UNLESS OTHERWISE STATED.

(60) IS SHOWN IN TWO LAYERS TO DENOTE THE TWO GRADATIONS THAT MAKE UP THIS PAY ITEM.

REVISIONS	
NAME	DATE

ILLINOIS DEPARTMENT OF TRANSPORTATION  
FAI ROUTE 74 (I-74)  
**PROPOSED TYPICAL SECTIONS**  
**RAMP J-3**  
**NUMBERS 25 & 25A**

DRAWN BY DER  
CHECKED BY MLB  
DATE 12/20/04

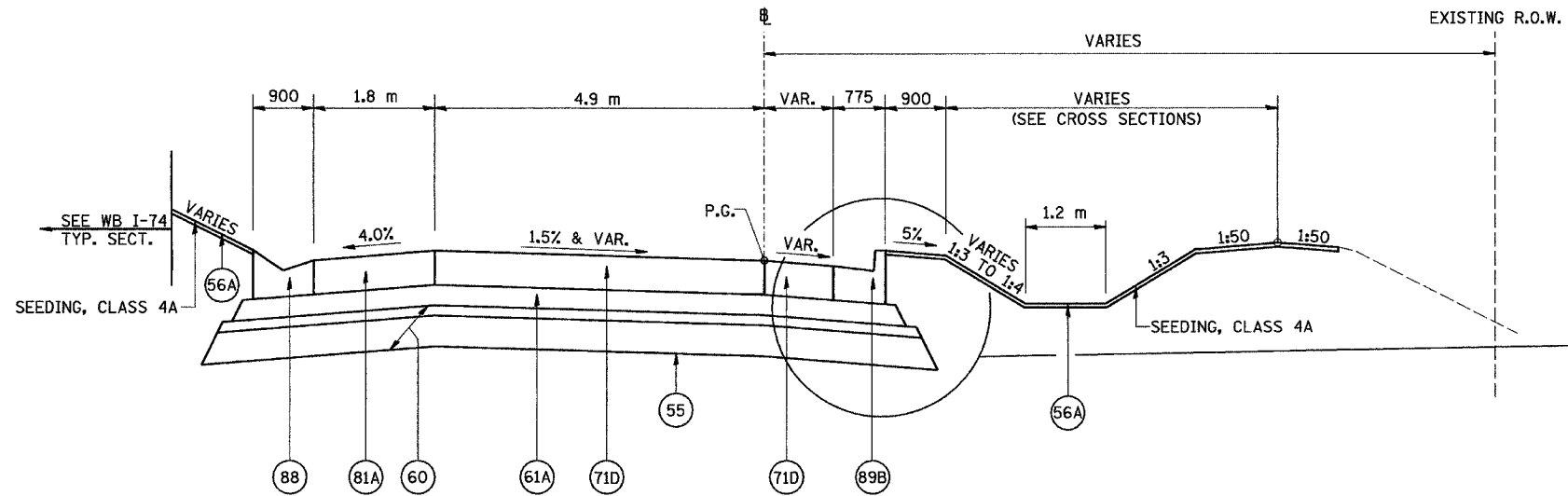


D:\base\roadway\1101151-5am.dgn 12/20/04 3:26:20 PM

I:\projects\2007\07-11\111111\111111.dwg 12/20/04 3:20:44 PM

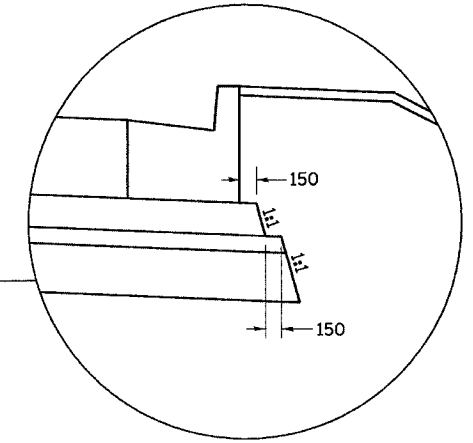
60201

F.A.I. RTE.	SECTION	COUNTY	TOTAL SHEETS	SHEET NO.
74	*	TAZEWELL	1366	70
STA. TO STA.				
FED. ROAD DIST. NO.		ILLINOIS FED. AID PROJECT		
* (90-11R-2; 90(1,3,4,4-1R-1)				

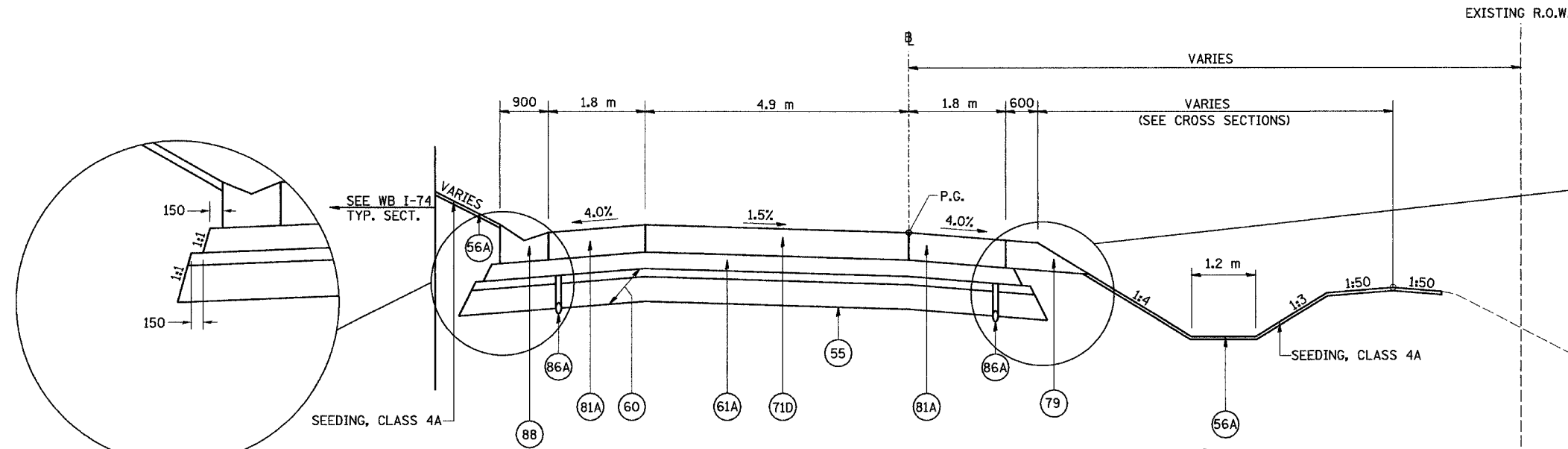


**RAMP J-4**  
STA. 10+017.094 TO STA. 10+060.198

25B

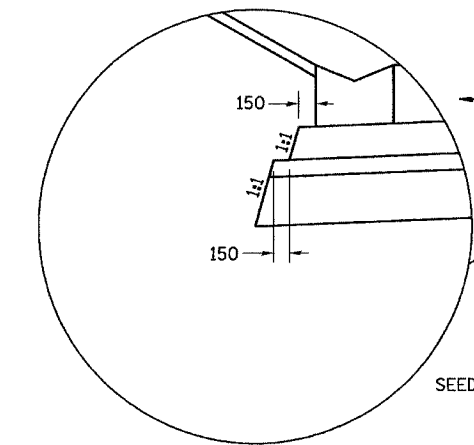


**TYPICAL SUB-BASE DETAIL**  
(FOR DIMENSIONS ONLY)

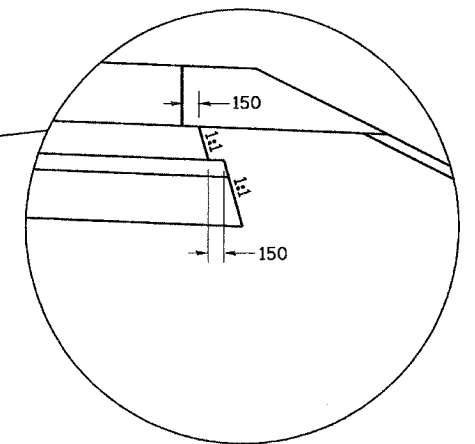


**RAMP J-4**  
STA. 10+060.198 TO STA. 10+082.460

26



**TYPICAL SUB-BASE DETAIL**  
(FOR DIMENSIONS ONLY)



**TYPICAL SUB-BASE DETAIL**  
(FOR DIMENSIONS ONLY)

NOTES: SHOULDERS ADJACENT TO THE HIGH SIDE OF SUPERELEVATED PAVEMENT SHALL BE 4% OR 8% MINUS THE RATE OF SUPER, WHICHEVER IS LESS. ADJACENT TO THE LOW SIDE OF SUPERELEVATED PAVEMENT SHOULDERS SHALL HAVE A SLOPE OF 4% OR THE RATE OF SUPER, WHICHEVER IS GREATER.

ALL DIMENSIONS ARE IN MILLIMETERS (mm) UNLESS OTHERWISE STATED.

60 IS SHOWN IN TWO LAYERS TO DENOTE THE TWO GRADATIONS THAT MAKE UP THIS PAY ITEM.

LEGEND			
55	PR GEOTECHNICAL FABRIC FOR GROUND STABILIZATION	89K	PR COMB. CONCRETE C&G, TYPE B-15.45
56A	PR FURNISH AND PLACE TOPSOIL, 100 MM	96A	PR LONGITUDINAL CONSTRUCTION JOINT (TYPICAL)
60	PR AGGREGATE SUB-BASE, 300 MM	96B	PR SAWED LONGITUDINAL JOINT (TYPICAL)
61A	PR BITUMINOUS CONCRETE BINDER COURSE, SUPERPAVE, IL-19.0L (LOW ESAL), 100MM		
61B	PR BITUMINOUS CONCRETE BINDER COURSE, SUPERPAVE, IL-19.0L (LOW ESAL), 150MM		
71D	PR PORTLAND CEMENT CONCRETE PAVEMENT 250MM (JOINTED)		
75	PR CONTINUOUSLY REINFORCED PORTLAND CEMENT CONCRETE PAVEMENT, 290 MM		
79	PR AGGREGATE SHOULDERS, TYPE B		
81A	PR PORTLAND CEMENT CONCRETE SHOULDERS 250 MM		
81B	PR PORTLAND CEMENT CONCRETE SHOULDERS, 290 MM		
82	PR RETAINING WALL (SEE WALL PLANS)		
86A	PR PIPE UNDERDRAINS, 100 MM		
86B	PR PIPE UNDERDRAINS, 150 MM		
88	PR CONCRETE GUTTER, TYPE A (MODIFIED)		
89B	PR COMB. CONCRETE C&G, TYPE B-15.60		



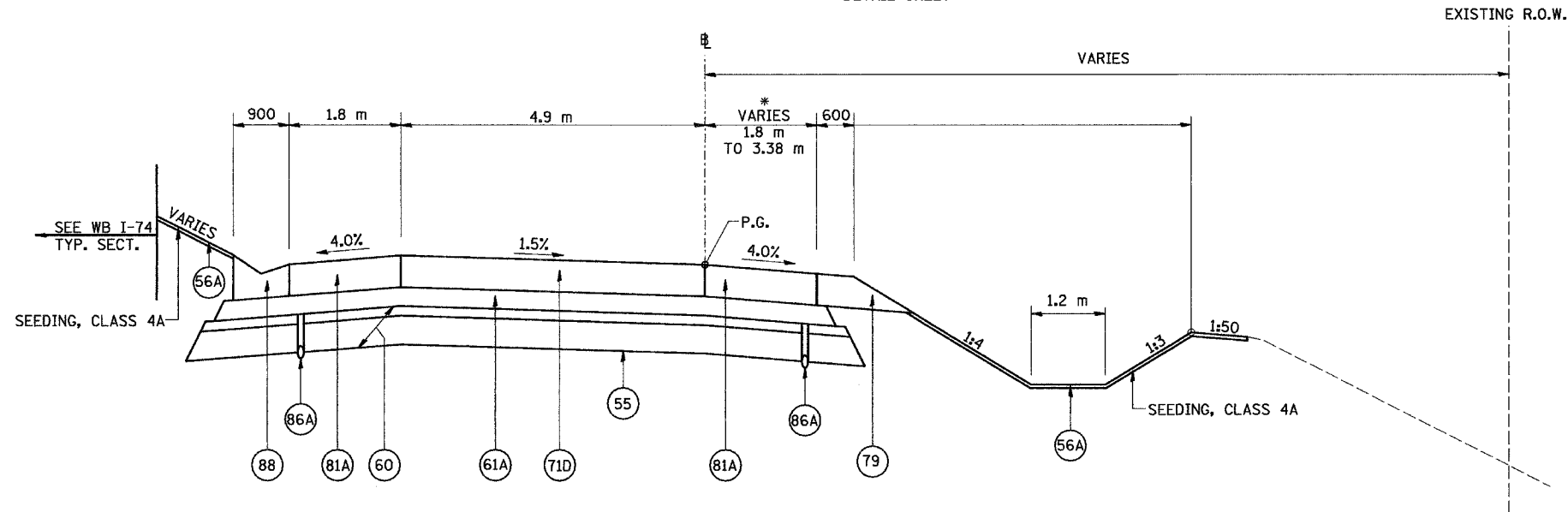
REVISIONS	
NAME	DATE

ILLINOIS DEPARTMENT OF TRANSPORTATION  
FAI ROUTE 74 (I-74)  
PROPOSED TYPICAL SECTIONS  
RAMP J-4  
NUMBERS 25B & 26

DATE 12/20/04  
DRAWN BY DER  
CHECKED BY MLB

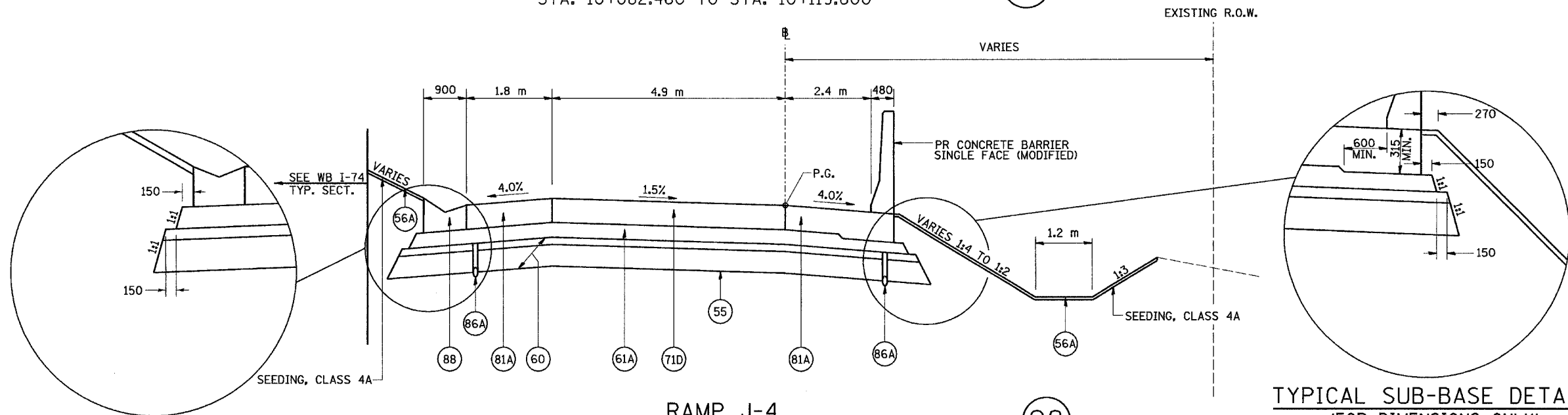
F.A.I. RTE.	SECTION	COUNTY	TOTAL SHEETS	SHEET NO.
74	*	TAZEWELL	1366	71
STA. TO STA.		FED. ROAD DIST. NO. ILLINOIS FED. AID PROJECT		
* (90-10R-2; 90K13,14,14-10R-1)				

\*SEE IMPACT ATTENUATOR  
DETAIL SHEET



**RAMP J-4**  
STA. 10+082.460 TO STA. 10+119.600

(27)



**RAMP J-4**  
STA. 10+119.600 TO STA. 10+240.018

(28)

**TYPICAL SUB-BASE DETAIL**  
(FOR DIMENSIONS ONLY)

**TYPICAL SUB-BASE DETAIL**  
(FOR DIMENSIONS ONLY)

NOTES:  
SHOULDERS ADJACENT TO THE HIGH SIDE OF SUPERELEVATED PAVEMENT SHALL BE 4% OR 8% MINUS THE RATE OF SUPER, WHICHEVER IS LESS. ADJACENT TO THE LOW SIDE OF SUPERELEVATED PAVEMENT SHOULDERS SHALL HAVE A SLOPE OF 4% OR THE RATE OF SUPER, WHICHEVER IS GREATER.

ALL DIMENSIONS ARE IN MILLIMETERS (mm) UNLESS OTHERWISE STATED.

(60) IS SHOWN IN TWO LAYERS TO DENOTE THE TWO GRADATIONS THAT MAKE UP THIS PAY ITEM.

LEGEND		
(55) PR GEOTECHNICAL FABRIC FOR GROUND STABILIZATION	(81A) PR PORTLAND CEMENT CONCRETE SHOULDERS 250 MM	(89K) PR COMB. CONCRETE C&G, TYPE B-15.45
(56A) PR FURNISH AND PLACE TOPSOIL, 100 MM	(81B) PR PORTLAND CEMENT CONCRETE SHOULDERS, 290 MM	(96A) PR LONGITUDINAL CONSTRUCTION JOINT (TYPICAL)
(60) PR AGGREGATE SUB-BASE, 300 MM	(82) PR RETAINING WALL (SEE WALL PLANS)	(96B) PR SAWED LONGITUDINAL JOINT (TYPICAL)
(61A) PR BITUMINOUS CONCRETE BINDER COURSE, SUPERPAVE, IL-19.0L (LOW ESAL), 100MM	(86A) PR PIPE UNDERDRAINS, 100 MM	
(61B) PR BITUMINOUS CONCRETE BINDER COURSE, SUPERPAVE, IL-19.0L (LOW ESAL), 150MM	(86B) PR PIPE UNDERDRAINS, 150 MM	
(71D) PR PORTLAND CEMENT CONCRETE PAVEMENT 250MM (JOINTED)	(88) PR CONCRETE GUTTER, TYPE A (MODIFIED)	
(75) PR CONTINUOUSLY REINFORCED PORTLAND CEMENT CONCRETE PAVEMENT, 290 MM	(89B) PR COMB. CONCRETE C&G, TYPE B-15.60	
(79) PR AGGREGATE SHOULDERS, TYPE B		

REVISIONS	
NAME	DATE

ILLINOIS DEPARTMENT OF TRANSPORTATION  
FAI ROUTE 74 (I-74)  
PROPOSED TYPICAL SECTIONS  
RAMP J-4  
NUMBERS 27 & 28

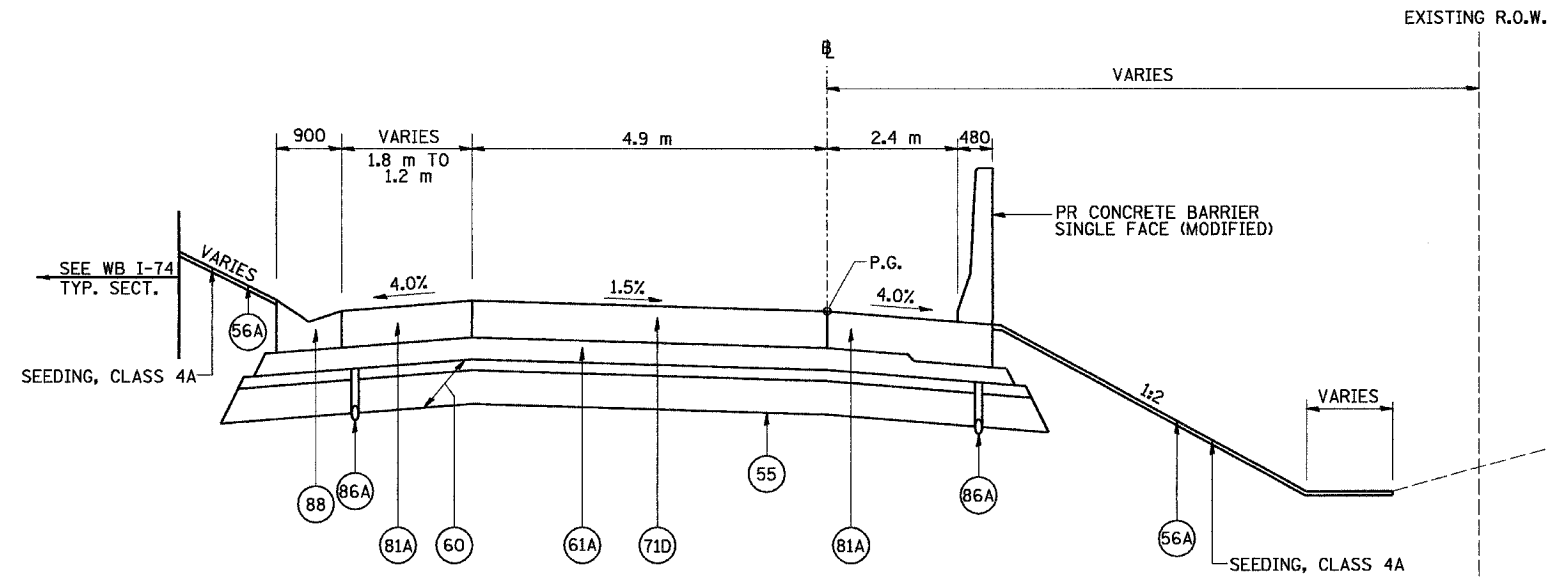
DATE 12/20/04

DRAWN BY DER  
CHECKED BY MLB



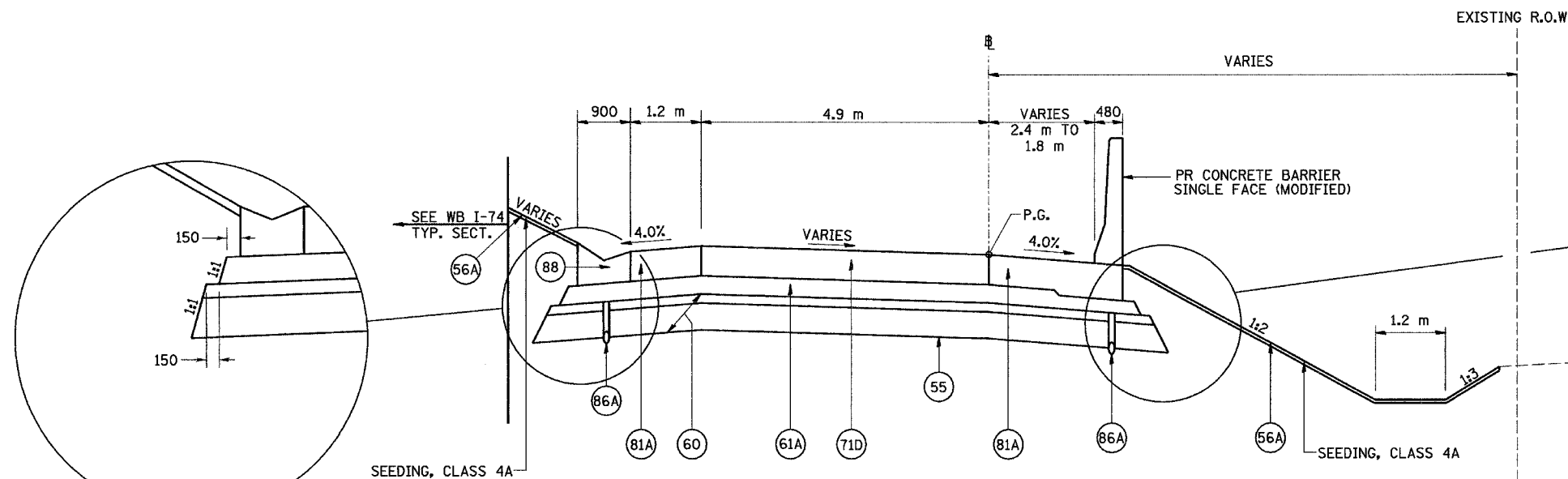
D:\PROJECTS\74000\74101\5601.dgn 12/20/2004 3:20:55 PM

F.A.I. RTE.	SECTION	COUNTY	TOTAL SHEETS	SHEET NO.
74	*	TAZEWELL	1366	72
STA.		TO STA.		
FED. ROAD DIST. NO.		ILLINOIS FED. AID PROJECT		
* (90-10R-2; 9013,14,14-10R-1)				



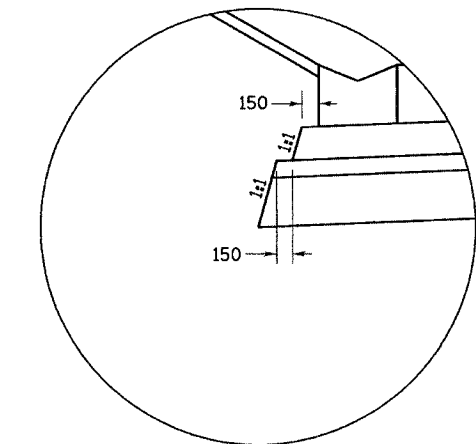
**RAMP J-4**  
STA. 10+240.018 TO STA. 10+252.600

(29)

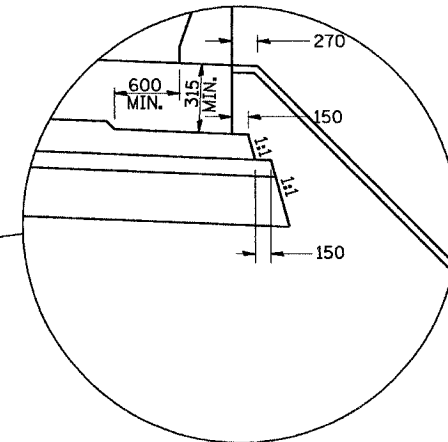


**RAMP J-4**  
STA. 10+252.600 TO STA. 10+321.810

(30)



**TYPICAL SUB-BASE DETAIL**  
(FOR DIMENSIONS ONLY)



**TYPICAL SUB-BASE DETAIL**  
(FOR DIMENSIONS ONLY)

LEGEND		
(55) PR GEOTECHNICAL FABRIC FOR GROUND STABILIZATION	(81A) PR PORTLAND CEMENT CONCRETE SHOULDERS 250 MM	(89K) PR COMB. CONCRETE C&G, TYPE B-15.45
(56A) PR FURNISH AND PLACE TOPSOIL, 100 MM	(81B) PR PORTLAND CEMENT CONCRETE SHOULDERS, 290 MM	(96A) PR LONGITUDINAL CONSTRUCTION JOINT (TYPICAL)
(60) PR AGGREGATE SUB-BASE, 300 MM	(82) PR RETAINING WALL (SEE WALL PLANS)	(96B) PR SAWED LONGITUDINAL JOINT (TYPICAL)
(61A) PR BITUMINOUS CONCRETE BINDER COURSE, SUPERPAVE, IL-19.0L (LOW ESAL), 100MM	(86A) PR PIPE UNDERDRAINS, 100 MM	
(61B) PR BITUMINOUS CONCRETE BINDER COURSE, SUPERPAVE, IL-19.0L (LOW ESAL), 150MM	(86B) PR PIPE UNDERDRAINS, 150 MM	
(71D) PR PORTLAND CEMENT CONCRETE PAVEMENT 250MM (JOINTED)	(88) PR CONCRETE GUTTER, TYPE A (MODIFIED)	
(75) PR CONTINUOUSLY REINFORCED PORTLAND CEMENT CONCRETE PAVEMENT, 290 MM	(89B) PR COMB. CONCRETE C&G, TYPE B-15.60	
(79) PR AGGREGATE SHOULDERS, TYPE B		

NOTES: SHOULDERS ADJACENT TO THE HIGH SIDE OF SUPERELEVATED PAVEMENT SHALL BE 4% OR 8% MINUS THE RATE OF SUPER, WHICHEVER IS LESS. ADJACENT TO THE LOW SIDE OF SUPERELEVATED PAVEMENT SHOULDERS SHALL HAVE A SLOPE OF 4% OR THE RATE OF SUPER, WHICHEVER IS GREATER.

ALL DIMENSIONS ARE IN MILLIMETERS (mm) UNLESS OTHERWISE STATED.

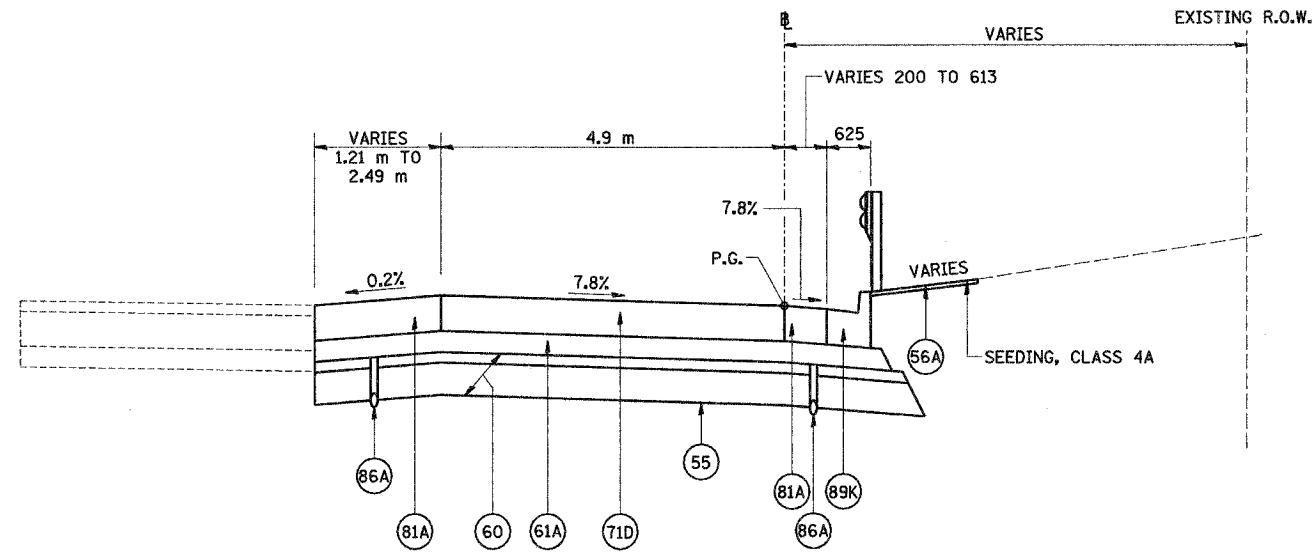
(60) IS SHOWN IN TWO LAYERS TO DENOTE THE TWO GRADATIONS THAT MAKE UP THIS PAY ITEM.

REVISIONS		ILLINOIS DEPARTMENT OF TRANSPORTATION FAI ROUTE 74 (I-74) PROPOSED TYPICAL SECTIONS RAMP J-4 NUMBERS 29 & 30
NAME	DATE	
		<p>DATE 12/20/04</p> <p>DRAWN BY DER CHECKED BY MLB</p>

**URS**  
URS CORPORATION  
ST. LOUIS, MO

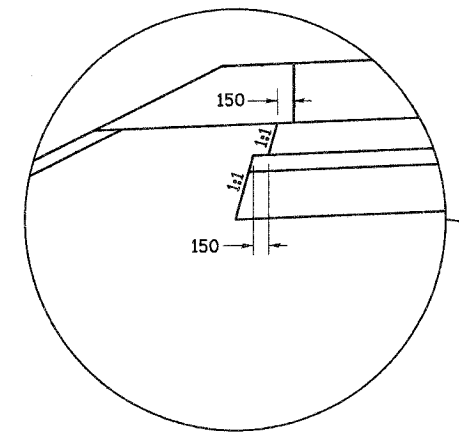


F.A.I. RTE.	SECTION	COUNTY	TOTAL SHEETS	SHEET NO.
74	*	TAZEWELL	1366	73
STA.		TO STA.		
FED. ROAD DIST. NO.		ILLINOIS		FED. AID PROJECT
* 190-DR-2; 9003,14,14-DR-1				

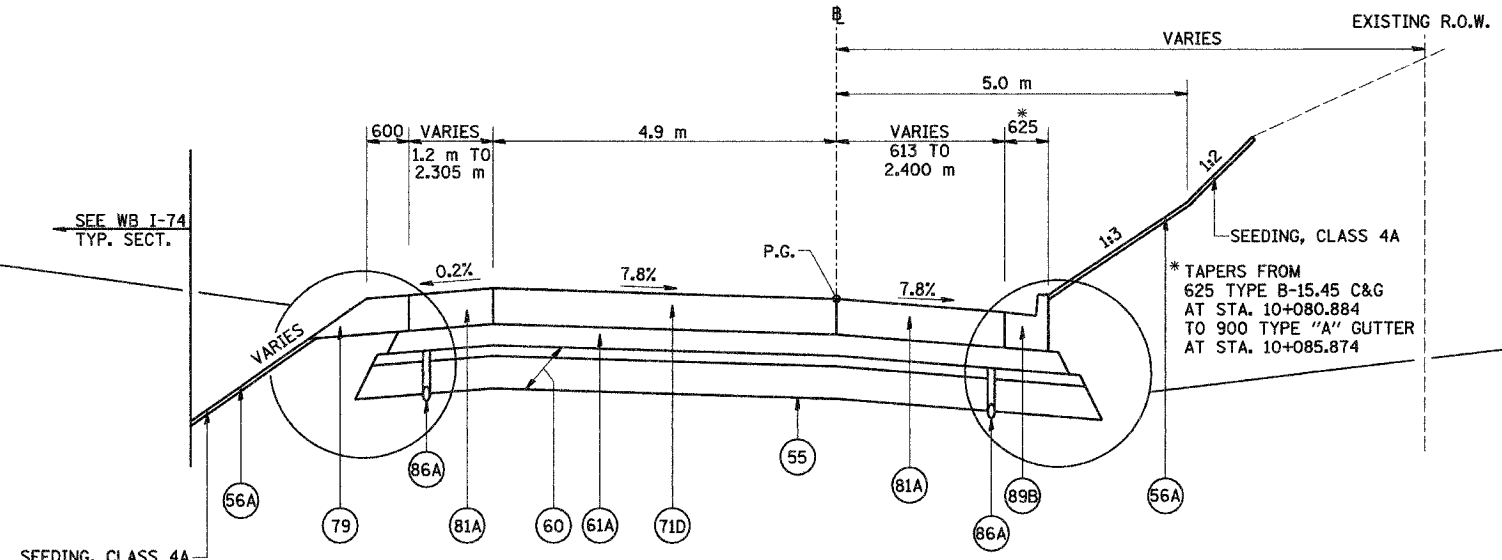


**RAMP K-2**  
STA. 10+052.874 TO STA. 10+059.070

31

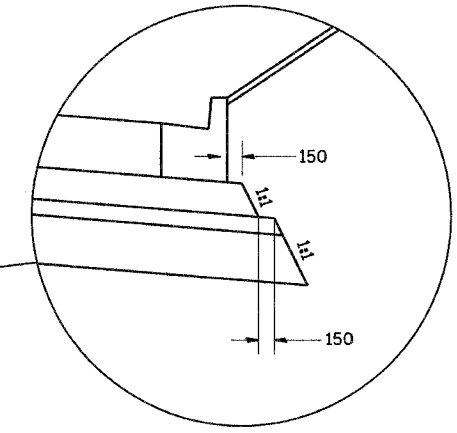


**TYPICAL SUB-BASE DETAIL**  
(FOR DIMENSIONS ONLY)



**RAMP K-2**  
STA. 10+059.070 TO STA. 10+085.874

32



**TYPICAL SUB-BASE DETAIL**  
(FOR DIMENSIONS ONLY)

LEGEND		
(55) PR GEOTECHNICAL FABRIC FOR GROUND STABILIZATION	(81A) PR PORTLAND CEMENT CONCRETE SHOULDERS 250 MM	(89K) PR COMB. CONCRETE C&G, TYPE B-15.45
(56A) PR FURNISH AND PLACE TOPSOIL, 100 MM	(81B) PR PORTLAND CEMENT CONCRETE SHOULDERS, 290 MM	(96A) PR LONGITUDINAL CONSTRUCTION JOINT (TYPICAL)
(60) PR AGGREGATE SUB-BASE, 300 MM	(82) PR RETAINING WALL (SEE WALL PLANS)	(96B) PR SAWED LONGITUDINAL JOINT (TYPICAL)
(61A) PR BITUMINOUS CONCRETE BINDER COURSE, SUPERPAVE, IL-19.0L (LOW ESAL), 100MM	(86A) PR PIPE UNDERDRAINS, 100 MM	
(61B) PR BITUMINOUS CONCRETE BINDER COURSE, SUPERPAVE, IL-19.0L (LOW ESAL), 150MM	(86B) PR PIPE UNDERDRAINS, 150 MM	
(71D) PR PORTLAND CEMENT CONCRETE PAVEMENT 250MM (JOINTED)	(88) PR CONCRETE GUTTER, TYPE A (MODIFIED)	
(75) PR CONTINUOUSLY REINFORCED PORTLAND CEMENT CONCRETE PAVEMENT, 290 MM	(89B) PR COMB. CONCRETE C&G, TYPE B-15.60	
(79) PR AGGREGATE SHOULDERS, TYPE B		

NOTES:  
 SHOULDERS ADJACENT TO THE HIGH SIDE OF SUPERELEVATED PAVEMENT SHALL BE 4% OR 8% MINUS THE RATE OF SUPER, WHICHEVER IS LESS. ADJACENT TO THE LOW SIDE OF SUPERELEVATED PAVEMENT SHOULDERS SHALL HAVE A SLOPE OF 4% OR THE RATE OF SUPER, WHICHEVER IS GREATER.

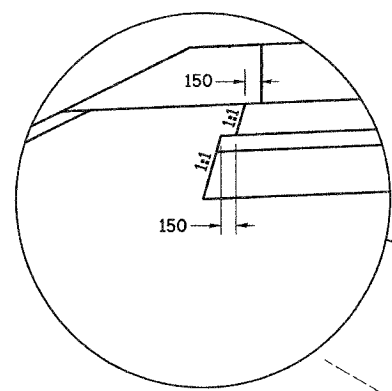
ALL DIMENSIONS ARE IN MILLIMETERS (mm) UNLESS OTHERWISE STATED.  
 (60) IS SHOWN IN TWO LAYERS TO DENOTE THE TWO GRADATIONS THAT MAKE UP THIS PAY ITEM.

REVISIONS		ILLINOIS DEPARTMENT OF TRANSPORTATION FAI ROUTE 74 (I-74) PROPOSED TYPICAL SECTIONS RAMP K-2 NUMBERS 31 & 32
NAME	DATE	
		DRAWN BY DER CHECKED BY MLB DATE 12/20/04

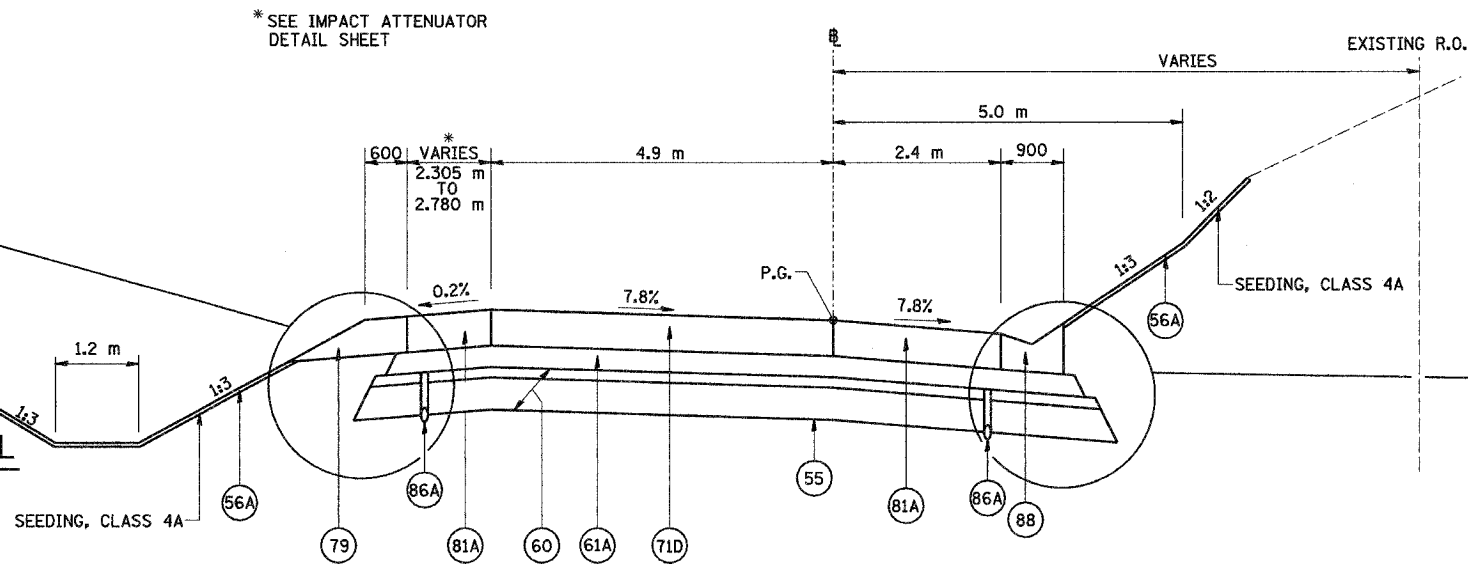


I:\projects\68201\68201.dwg 12/21/2004 7:17:17 AM

F.A.L. RTE.	SECTION	COUNTY	TOTAL SHEETS	SHEET NO.
74	*	TAZEWELL	1366	74
STA.		TO STA.		
FED. ROAD DIST. NO.		ILLINOIS FED. AID PROJECT		
* (90-IDR-2) 90(13,14,14-IDR-1				



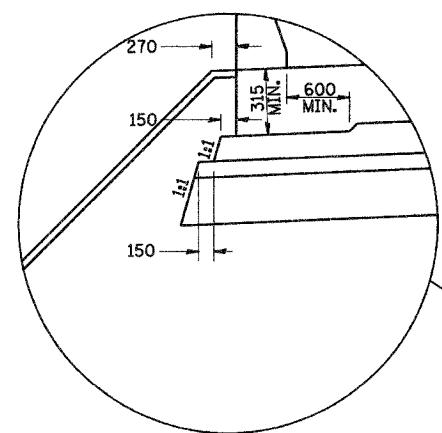
TYPICAL SUB-BASE DETAIL  
(FOR DIMENSIONS ONLY)



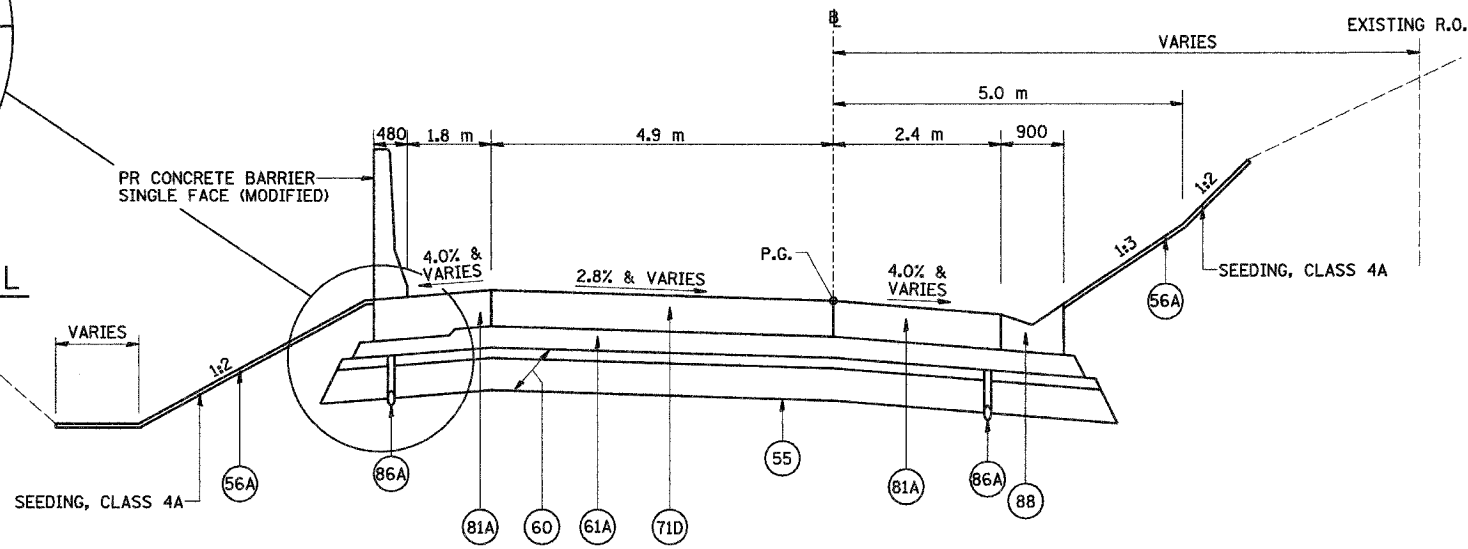
RAMP K-2

STA. 10+085.874 TO STA. 10+101.100

33



TYPICAL SUB-BASE DETAIL  
(FOR DIMENSIONS ONLY)



RAMP K-2

STA. 10+101.100 TO STA. 10+178.600

34

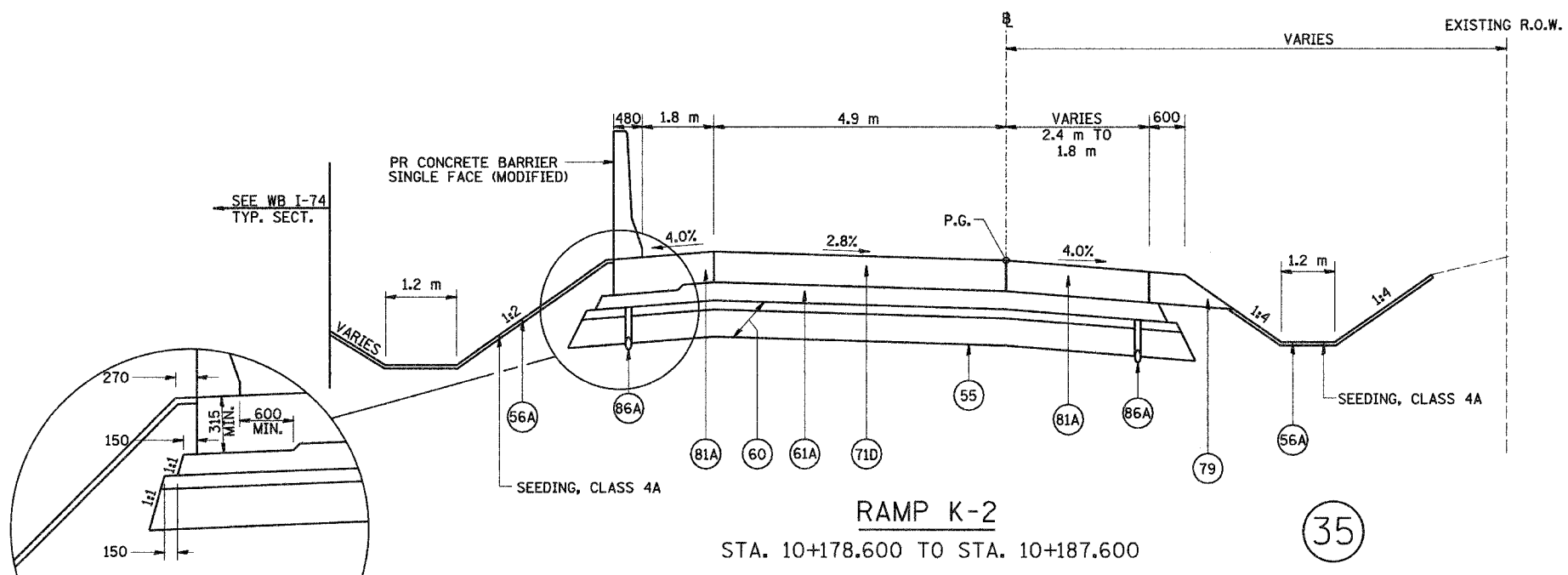
LEGEND		
(55) PR GEOTECHNICAL FABRIC FOR GROUND STABILIZATION	(81A) PR PORTLAND CEMENT CONCRETE SHOULDERS 250 MM	(89K) PR COMB. CONCRETE C&G, TYPE B-15.45
(56A) PR FURNISH AND PLACE TOPSOIL, 100 MM	(81B) PR PORTLAND CEMENT CONCRETE SHOULDERS, 290 MM	(96A) PR LONGITUDINAL CONSTRUCTION JOINT (TYPICAL)
(60) PR AGGREGATE SUB-BASE, 300 MM	(82) PR RETAINING WALL (SEE WALL PLANS)	(96B) PR SAWED LONGITUDINAL JOINT (TYPICAL)
(61A) PR BITUMINOUS CONCRETE BINDER COURSE, SUPERPAVE, IL-19.0L (LOW ESAL), 100MM	(86A) PR PIPE UNDERDRAINS, 100 MM	
(61B) PR BITUMINOUS CONCRETE BINDER COURSE, SUPERPAVE, IL-19.0L (LOW ESAL), 150MM	(86B) PR PIPE UNDERDRAINS, 150 MM	
(71D) PR PORTLAND CEMENT CONCRETE PAVEMENT 250MM (JOINTED)	(88) PR CONCRETE GUTTER, TYPE A (MODIFIED)	
(75) PR CONTINUOUSLY REINFORCED PORTLAND CEMENT CONCRETE PAVEMENT, 290 MM	(89B) PR COMB. CONCRETE C&G, TYPE B-15.60	
(79) PR AGGREGATE SHOULDERS, TYPE B		

NOTES:  
 SHOULDERS ADJACENT TO THE HIGH SIDE OF SUPERELEVATED PAVEMENT SHALL BE 4% OR 8% MINUS THE RATE OF SUPER, WHICHEVER IS LESS. ADJACENT TO THE LOW SIDE OF SUPERELEVATED PAVEMENT SHOULDERS SHALL HAVE A SLOPE OF 4% OR THE RATE OF SUPER, WHICHEVER IS GREATER.  
 ALL DIMENSIONS ARE IN MILLIMETERS (mm) UNLESS OTHERWISE STATED.  
 (60) IS SHOWN IN TWO LAYERS TO DENOTE THE TWO GRADATIONS THAT MAKE UP THIS PAY ITEM.



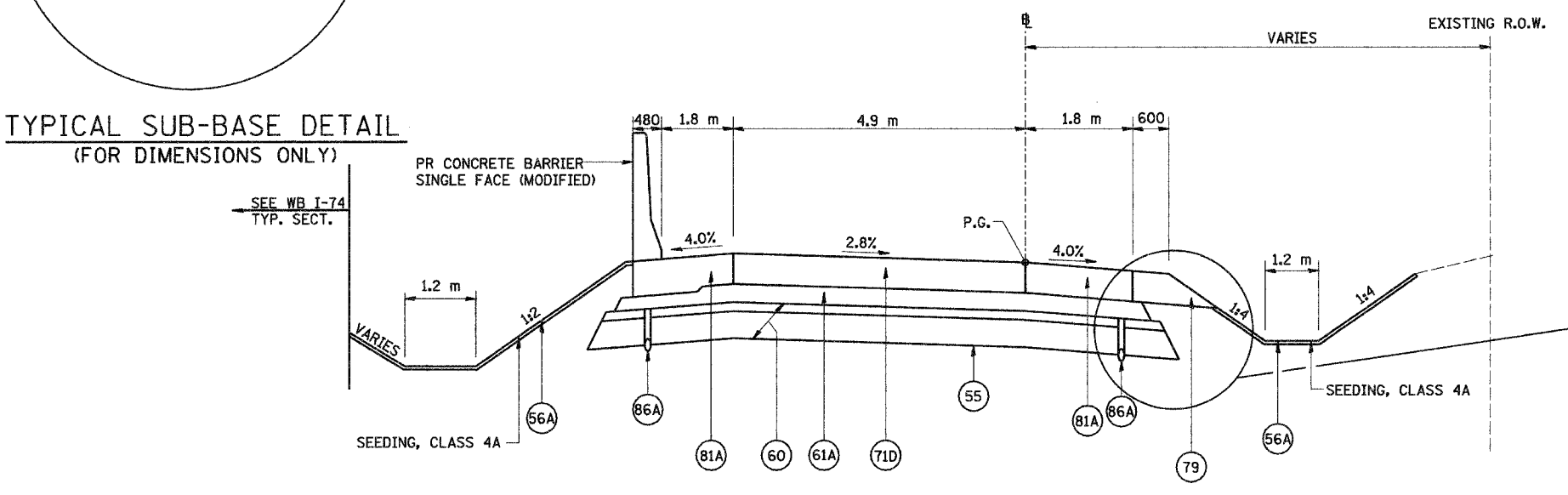
REVISIONS		ILLINOIS DEPARTMENT OF TRANSPORTATION FAI ROUTE 74 (I-74) PROPOSED TYPICAL SECTIONS RAMP K-2 NUMBERS 33 & 34
NAME	DATE	
		DRAWN BY DER CHECKED BY MLB DATE 12/20/04

F.A.I. RTE.	SECTION	COUNTY	TOTAL SHEETS	SHEET NO.
74	*	TAZEWELL	1366	75
STA.		TO STA.		
FED. ROAD DIST. NO.		ILLINOIS	FED. AID PROJECT	
* 190-10R-2; 9003,14,14-10R-1				



**RAMP K-2**  
STA. 10+178.600 TO STA. 10+187.600

35



**RAMP K-2**  
STA. 10+187.600 TO STA. 10+249.093

36

LEGEND		
(55) PR GEOTECHNICAL FABRIC FOR GROUND STABILIZATION	(81A) PR PORTLAND CEMENT CONCRETE SHOULDERS 250 MM	(89K) PR COMB. CONCRETE C&G, TYPE B-15.45
(56A) PR FURNISH AND PLACE TOPSOIL, 100 MM	(81B) PR PORTLAND CEMENT CONCRETE SHOULDERS, 290 MM	(96A) PR LONGITUDINAL CONSTRUCTION JOINT (TYPICAL)
(60) PR AGGREGATE SUB-BASE, 300 MM	(82) PR RETAINING WALL (SEE WALL PLANS)	(96B) PR SAWED LONGITUDINAL JOINT (TYPICAL)
(61A) PR BITUMINOUS CONCRETE BINDER COURSE, SUPERPAVE, IL-19.0L (LOW ESAL), 100MM	(86A) PR PIPE UNDERDRAINS, 100 MM	
(61B) PR BITUMINOUS CONCRETE BINDER COURSE, SUPERPAVE, IL-19.0L (LOW ESAL), 150MM	(86B) PR PIPE UNDERDRAINS, 150 MM	
(71D) PR PORTLAND CEMENT CONCRETE PAVEMENT 250MM (JOINTED)	(88) PR CONCRETE GUTTER, TYPE A (MODIFIED)	
(75) PR CONTINUOUSLY REINFORCED PORTLAND CEMENT CONCRETE PAVEMENT, 290 MM	(89B) PR COMB. CONCRETE C&G, TYPE B-15.60	
(79) PR AGGREGATE SHOULDERS, TYPE B		

NOTES: SHOULDERS ADJACENT TO THE HIGH SIDE OF SUPERELEVATED PAVEMENT SHALL BE 4% OR 8% MINUS THE RATE OF SUPER, WHICHEVER IS LESS. ADJACENT TO THE LOW SIDE OF SUPERELEVATED PAVEMENT SHOULDERS SHALL HAVE A SLOPE OF 4% OR THE RATE OF SUPER, WHICHEVER IS GREATER.

ALL DIMENSIONS ARE IN MILLIMETERS (mm) UNLESS OTHERWISE STATED.

(60) IS SHOWN IN TWO LAYERS TO DENOTE THE TWO GRADATIONS THAT MAKE UP THIS PAY ITEM.

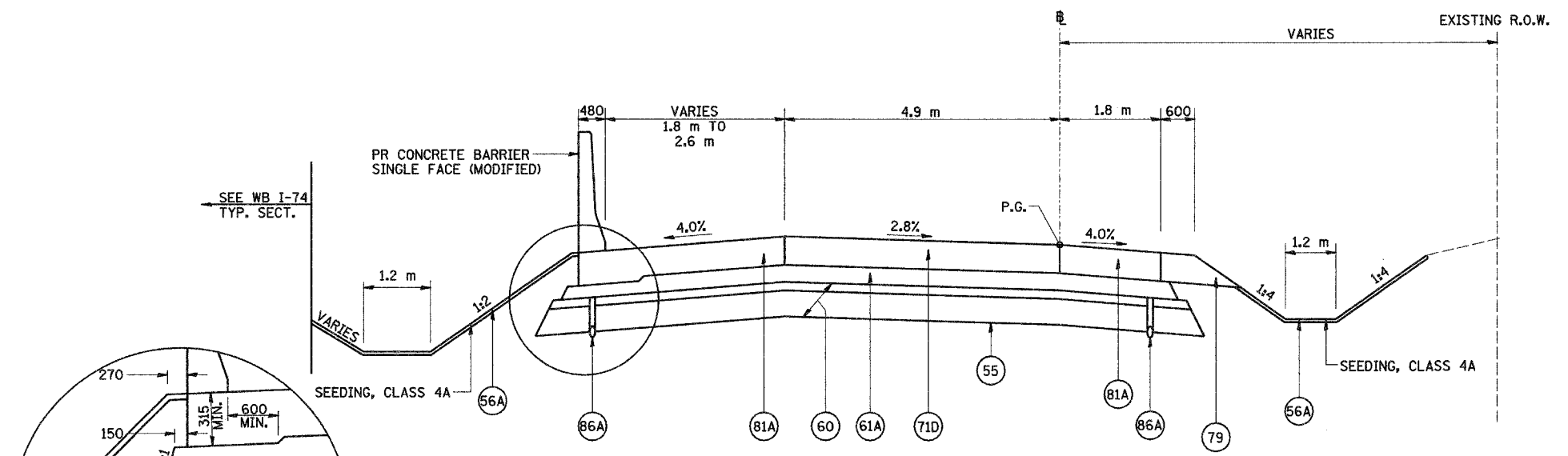
REVISIONS	
NAME	DATE

ILLINOIS DEPARTMENT OF TRANSPORTATION  
FAI ROUTE 74 (I-74)  
PROPOSED TYPICAL SECTIONS  
RAMP K-2  
NUMBERS 35 & 36

DATE 12/20/04  
DRAWN BY DER  
CHECKED BY MLB

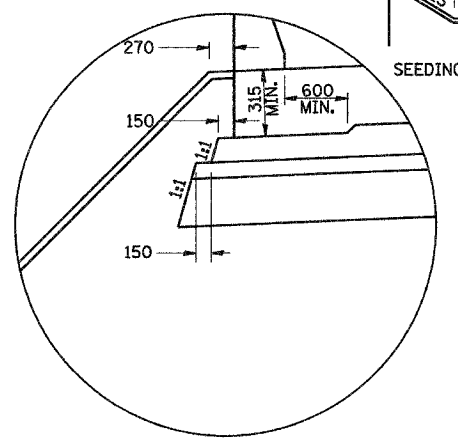


F.A.I. RTE.	SECTION	COUNTY	TOTAL SHEETS	SHEET NO.
74	*	TAZEWELL	1366	76
STA.		TO STA.		
FED. ROAD DIST. NO.		ILLINOIS FED. AID PROJECT		
* (90-IDR-2; 9003,14,14-IDR-1				



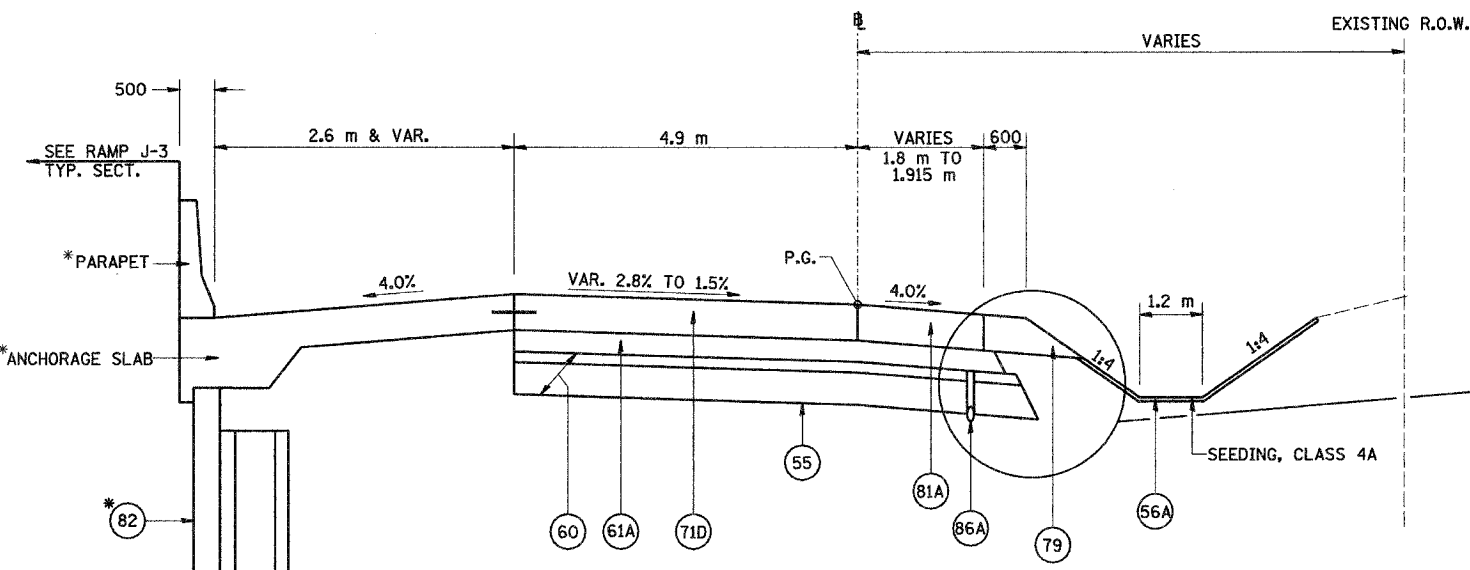
**RAMP K-2**  
STA. 10+249.093 TO STA. 10+261.093

(37)



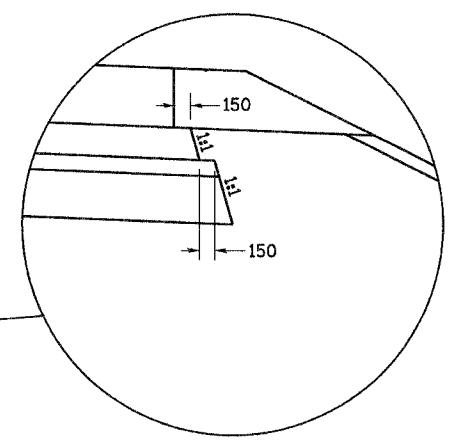
**TYPICAL SUB-BASE DETAIL**  
(FOR DIMENSIONS ONLY)

\*SEE RET. WALL NO. 81 PLANS



**RAMP K-2**  
STA. 10+261.093 TO STA. 10+344.000

(38)



**TYPICAL SUB-BASE DETAIL**  
(FOR DIMENSIONS ONLY)  
AGGREGATE SHOULDER SECTION)

NOTES: SHOULDERS ADJACENT TO THE HIGH SIDE OF SUPERELEVATED PAVEMENT SHALL BE 4% OR 8% MINUS THE RATE OF SUPER, WHICHEVER IS LESS. ADJACENT TO THE LOW SIDE OF SUPERELEVATED PAVEMENT SHOULDERS SHALL HAVE A SLOPE OF 4% OR THE RATE OF SUPER, WHICHEVER IS GREATER.

ALL DIMENSIONS ARE IN MILLIMETERS (mm) UNLESS OTHERWISE STATED.

(60) IS SHOWN IN TWO LAYERS TO DENOTE THE TWO GRADATIONS THAT MAKE UP THIS PAY ITEM.

LEGEND		
(55) PR GEOTECHNICAL FABRIC FOR GROUND STABILIZATION	(81A) PR PORTLAND CEMENT CONCRETE SHOULDERS 250 MM	(89K) PR COMB. CONCRETE C&G, TYPE B-15.45
(56A) PR FURNISH AND PLACE TOPSOIL, 100 MM	(81B) PR PORTLAND CEMENT CONCRETE SHOULDERS, 290 MM	(96A) PR LONGITUDINAL CONSTRUCTION JOINT (TYPICAL)
(60) PR AGGREGATE SUB-BASE, 300 MM	(82) PR RETAINING WALL (SEE WALL PLANS)	(96B) PR SAWED LONGITUDINAL JOINT (TYPICAL)
(61A) PR BITUMINOUS CONCRETE BINDER COURSE, SUPERPAVE, IL-19.0L (LOW ESAL), 100MM	(86A) PR PIPE UNDERDRAINS, 100 MM	
(61B) PR BITUMINOUS CONCRETE BINDER COURSE, SUPERPAVE, IL-19.0L (LOW ESAL), 150MM	(86B) PR PIPE UNDERDRAINS, 150 MM	
(71D) PR PORTLAND CEMENT CONCRETE PAVEMENT 250MM (JOINTED)	(88) PR CONCRETE GUTTER, TYPE A (MODIFIED)	
(75) PR CONTINUOUSLY REINFORCED PORTLAND CEMENT CONCRETE PAVEMENT, 290 MM	(89B) PR COMB. CONCRETE C&G, TYPE B-15.60	
(79) PR AGGREGATE SHOULDERS, TYPE B		

REVISIONS	
NAME	DATE

ILLINOIS DEPARTMENT OF TRANSPORTATION  
FAI ROUTE 74 (I-74)  
**PROPOSED TYPICAL SECTIONS**  
**RAMP K-2**  
**NUMBERS 37 & 38**

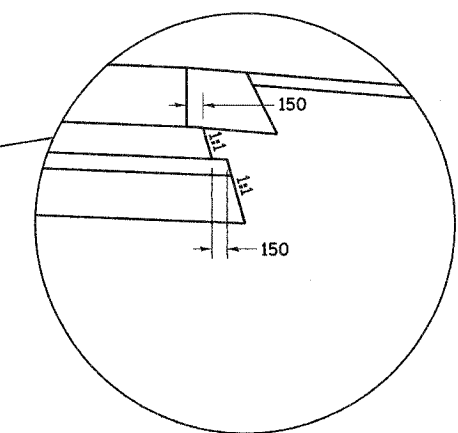
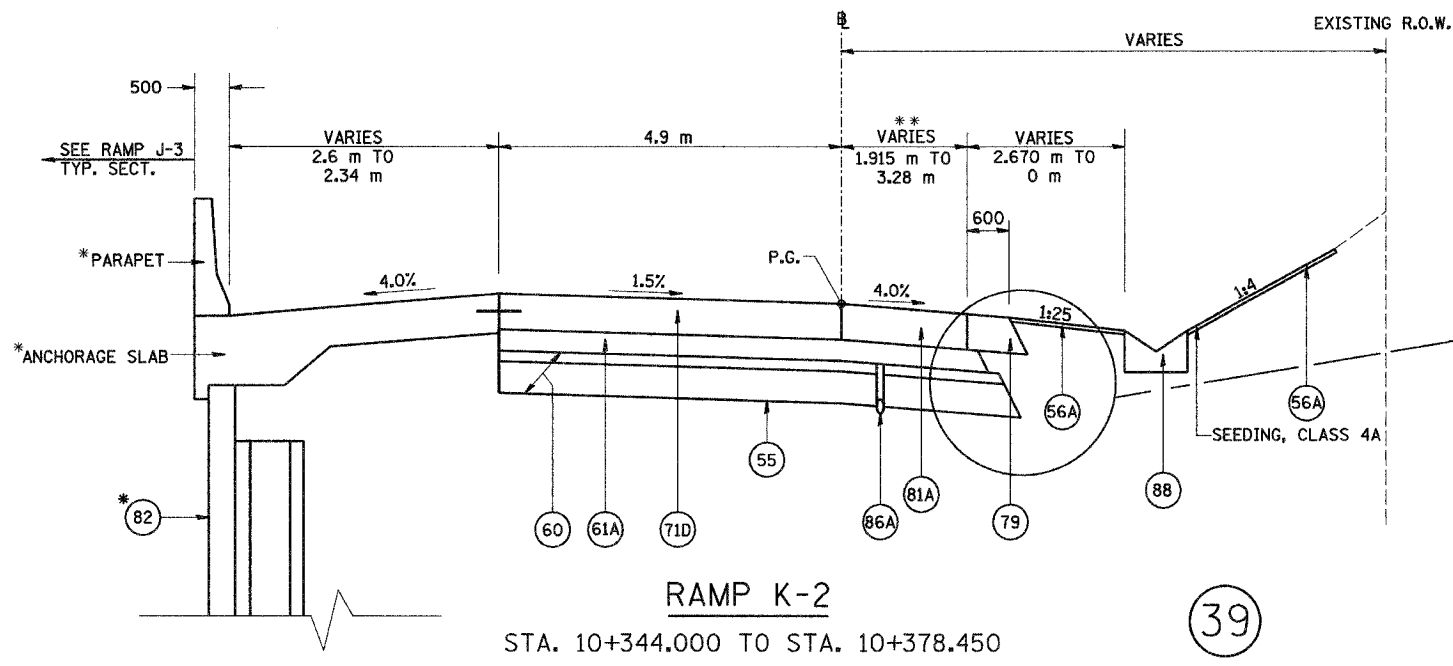
DATE 12/20/04

DRAWN BY DER  
CHECKED BY MLB



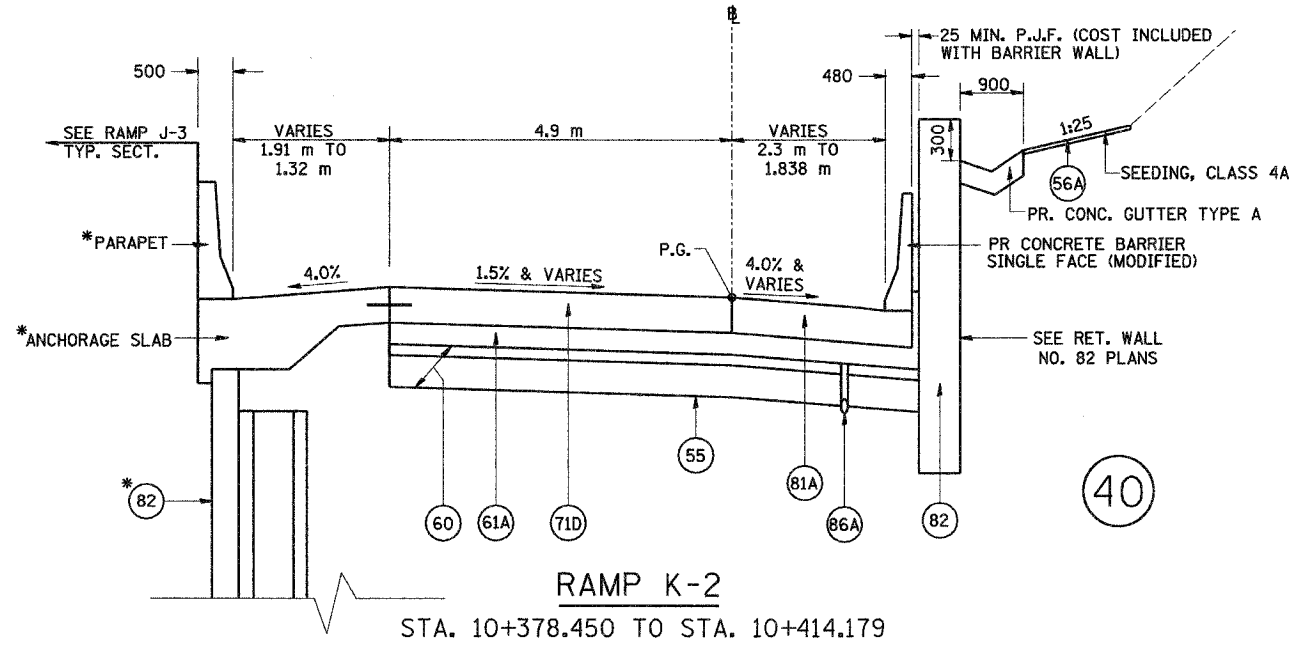
PR 07-11-2 2002/12/21 udp:mes-101181\lemprou\paseugh

F.A.I. RTE.	SECTION	COUNTY	TOTAL SHEETS	SHEET NO.
74	*	TAZEWELL	1366	77
STA.		TO STA.		
FED. ROAD DIST. NO.		ILLINOIS FED. AID PROJECT		
* (90-IBR-2; 90(3,14,14-DR-1				



TYPICAL SUB-BASE DETAIL  
(FOR DIMENSIONS ONLY)

\* SEE RET. WALL NO. 81 PLANS



NOTES: SHOULDERS ADJACENT TO THE HIGH SIDE OF SUPERELEVATED PAVEMENT SHALL BE 4% OR 8% MINUS THE RATE OF SUPER, WHICHEVER IS LESS. ADJACENT TO THE LOW SIDE OF SUPERELEVATED PAVEMENT SHOULDERS SHALL HAVE A SLOPE OF 4% OR THE RATE OF SUPER, WHICHEVER IS GREATER.

ALL DIMENSIONS ARE IN MILLIMETERS (mm) UNLESS OTHERWISE STATED.

(60) IS SHOWN IN TWO LAYERS TO DENOTE THE TWO GRADATIONS THAT MAKE UP THIS PAY ITEM.

LEGEND		
(55) PR GEOTECHNICAL FABRIC FOR GROUND STABILIZATION	(81A) PR PORTLAND CEMENT CONCRETE SHOULDERS 250 MM	(89K) PR COMB. CONCRETE C&G, TYPE B-15.45
(56A) PR FURNISH AND PLACE TOPSOIL, 100 MM	(81B) PR PORTLAND CEMENT CONCRETE SHOULDERS, 290 MM	(89A) PR LONGITUDINAL CONSTRUCTION JOINT (TYPICAL)
(60) PR AGGREGATE SUB-BASE, 300 MM	(82) PR RETAINING WALL (SEE WALL PLANS)	(86B) PR SAWED LONGITUDINAL JOINT (TYPICAL)
(61A) PR BITUMINOUS CONCRETE BINDER COURSE, SUPERPAVE, IL-19.0L (LOW ESAL), 100MM	(86A) PR PIPE UNDERDRAINS, 100 MM	
(61B) PR BITUMINOUS CONCRETE BINDER COURSE, SUPERPAVE, IL-19.0L (LOW ESAL), 150MM	(86B) PR PIPE UNDERDRAINS, 150 MM	
(71D) PR PORTLAND CEMENT CONCRETE PAVEMENT 250MM (JOINTED)	(88) PR CONCRETE GUTTER, TYPE A (MODIFIED)	
(75) PR CONTINUOUSLY REINFORCED PORTLAND CEMENT CONCRETE PAVEMENT, 290 MM	(89B) PR COMB. CONCRETE C&G, TYPE B-15.60	
(79) PR AGGREGATE SHOULDERS, TYPE B		

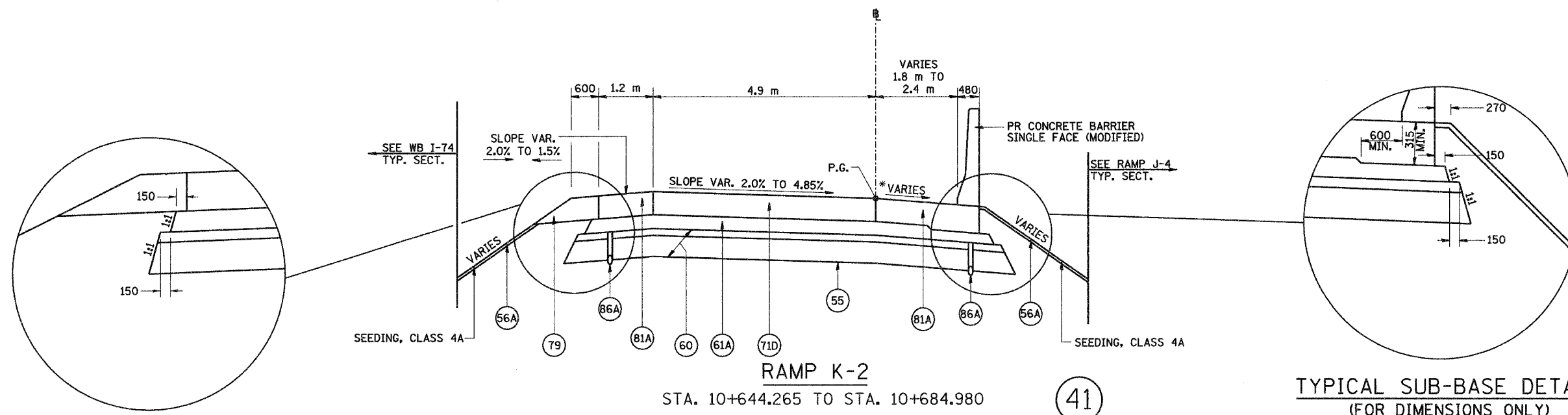
REVISIONS	
NAME	DATE

ILLINOIS DEPARTMENT OF TRANSPORTATION  
FAI ROUTE 74 (I-74)  
PROPOSED TYPICAL SECTIONS  
RAMP K-2  
NUMBERS 39 & 40  
DRAWN BY DER  
CHECKED BY MLB  
DATE 12/20/04



D:\projects\74002\12\21\2004\7.17.07.rvt

F.A.I. RTE.	SECTION	COUNTY	TOTAL SHEETS	SHEET NO.
74	*	TAZEWELL	1366	78
STA.		TO STA.		
FED. ROAD DIST. NO.		ILLINOIS	FED. AID PROJECT	
* (90-IDR-2; 90(3,4,4-DR-1				



TYPICAL SUB-BASE DETAIL  
(FOR DIMENSIONS ONLY)

RAMP K-2  
STA. 10+644.265 TO STA. 10+684.980

TYPICAL SUB-BASE DETAIL  
(FOR DIMENSIONS ONLY)

\*STA. 10+644.265 TO STA. 10+656.962 - SLOPE VARIES 2.0% TO 4.0%  
\*STA. 10+656.962 TO STA. 10+684.980 - SLOPE VARIES 4.0% TO 4.85%

LEGEND			
55	PR GEOTECHNICAL FABRIC FOR GROUND STABILIZATION	89K	PR COMB. CONCRETE C&G, TYPE B-15.45
56A	PR FURNISH AND PLACE TOPSOIL, 100 MM	81A	PR PORTLAND CEMENT CONCRETE SHOULDERS 250 MM
60	PR AGGREGATE SUB-BASE, 300 MM	81B	PR PORTLAND CEMENT CONCRETE SHOULDERS, 290 MM
61A	PR BITUMINOUS CONCRETE BINDER COURSE, SUPERPAVE, IL-19.0L (LOW ESAL), 100MM	82	PR RETAINING WALL (SEE WALL PLANS)
61B	PR BITUMINOUS CONCRETE BINDER COURSE, SUPERPAVE, IL-19.0L (LOW ESAL), 150MM	86A	PR PIPE UNDERDRAINS, 100 MM
71D	PR PORTLAND CEMENT CONCRETE PAVEMENT 250MM (JOINTED)	86B	PR PIPE UNDERDRAINS, 150 MM
75	PR CONTINUOUSLY REINFORCED PORTLAND CEMENT CONCRETE PAVEMENT, 290 MM	88	PR CONCRETE GUTTER, TYPE A (MODIFIED)
79	PR AGGREGATE SHOULDERS, TYPE B	89B	PR COMB. CONCRETE C&G, TYPE B-15.60
		96A	PR LONGITUDINAL CONSTRUCTION JOINT (TYPICAL)
		96B	PR SAWED LONGITUDINAL JOINT (TYPICAL)

NOTES:  
SHOULDERS ADJACENT TO THE HIGH SIDE OF SUPERELEVATED PAVEMENT SHALL BE 4% OR 8% MINUS THE RATE OF SUPER, WHICHEVER IS LESS. ADJACENT TO THE LOW SIDE OF SUPERELEVATED PAVEMENT SHOULDERS SHALL HAVE A SLOPE OF 4% OR THE RATE OF SUPER, WHICHEVER IS GREATER.

ALL DIMENSIONS ARE IN MILLIMETERS (mm) UNLESS OTHERWISE STATED.  
60 IS SHOWN IN TWO LAYERS TO DENOTE THE TWO GRADATIONS THAT MAKE UP THIS PAY ITEM.

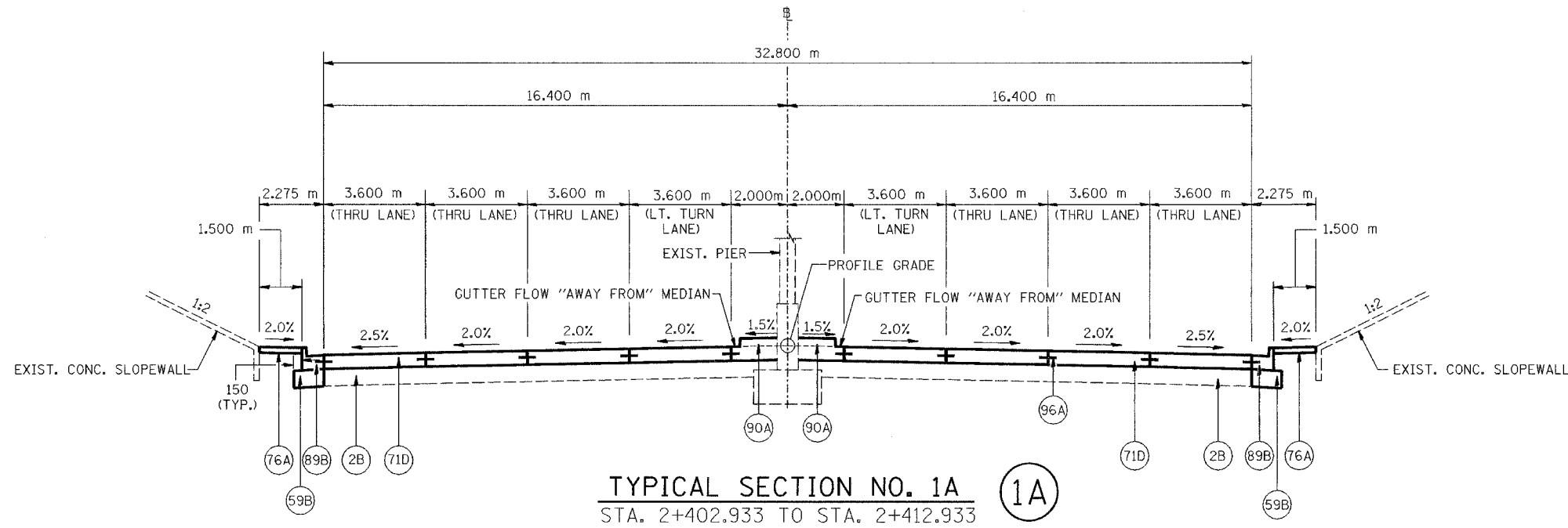
REVISIONS		ILLINOIS DEPARTMENT OF TRANSPORTATION FAI ROUTE 74 (I-74) PROPOSED TYPICAL SECTIONS RAMP K-2 NUMBERS 41
NAME	DATE	
		DRAWN BY DER CHECKED BY MLB DATE 12/20/04



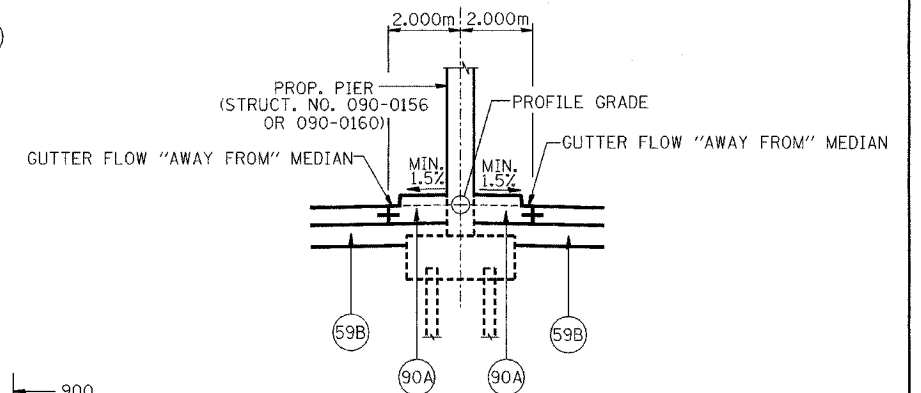
HW 87-91-1, P002/22/21, v00, qwe-101181, kmdoc, 2/2/04

F.A.I. RTE.	SECTION	COUNTY	TOTAL SHEETS NO.
74	*	TAZEWELL	1366 79
STA.	TO STA.		
FED. ROAD DIST. NO.	ILLINOIS	FED. AID PROJECT	

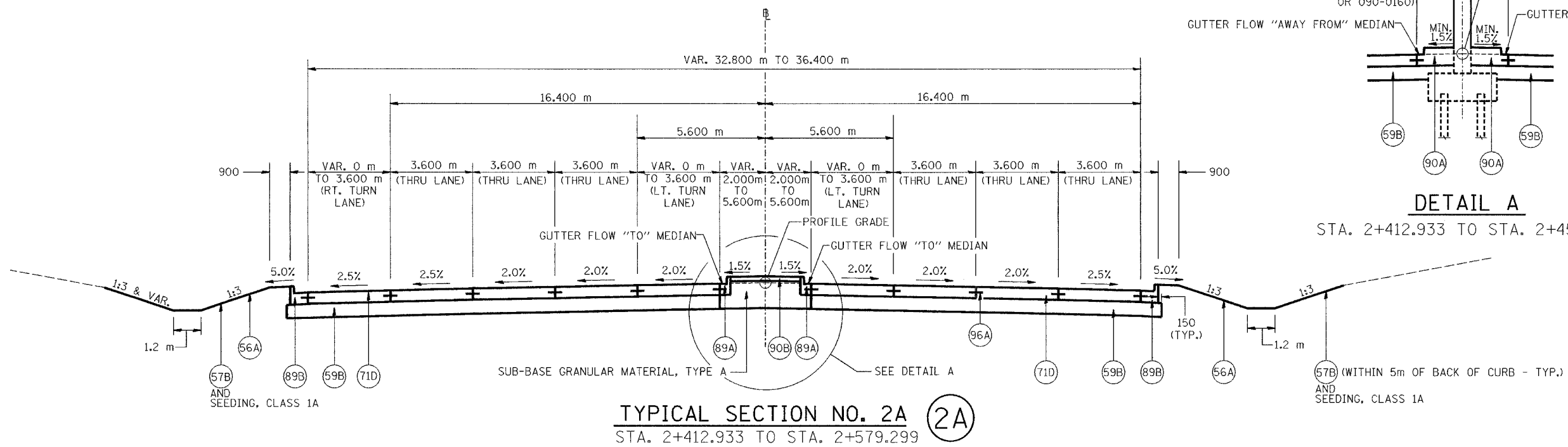
\*(90-11)R-2;90(13,14,14-1)R-1



**TYPICAL SECTION NO. 1A** (1A)  
STA. 2+402.933 TO STA. 2+412.933



**DETAIL A**  
STA. 2+412.933 TO STA. 2+450.000



**TYPICAL SECTION NO. 2A** (2A)  
STA. 2+412.933 TO STA. 2+579.299

LEGEND	
(2B) EX SUB-BASE GRANULAR MATERIAL, 300 mm	(76A) PR PORTLAND CEMENT SIDEWALK 100 mm
(56A) PR FURNISH AND PLACE TOPSOIL, 100 mm	(89A) PR COMBINATION CONCRETE CURB AND GUTTER, TYPE B-15.30
(57B) PR SODDING, SALT TOLERANT	(89B) PR COMBINATION CONCRETE CURB AND GUTTER, TYPE B-15.60
(59B) PR SUB-BASE GRANULAR MATERIAL, TYPE A 300 mm	(90A) PR CONCRETE MEDIAN, TYPE SB-15.30
(71D) PR PORTLAND CEMENT CONCRETE PAVEMENT 250 mm (JOINTED)	(90B) PR CONCRETE MEDIAN SURFACE 100 mm
	(96A) PR LONGITUDINAL CONSTRUCTION JOINT

NOTES: ALL DIMENSIONS ARE IN MILLIMETERS (mm) UNLESS OTHERWISE STATED.

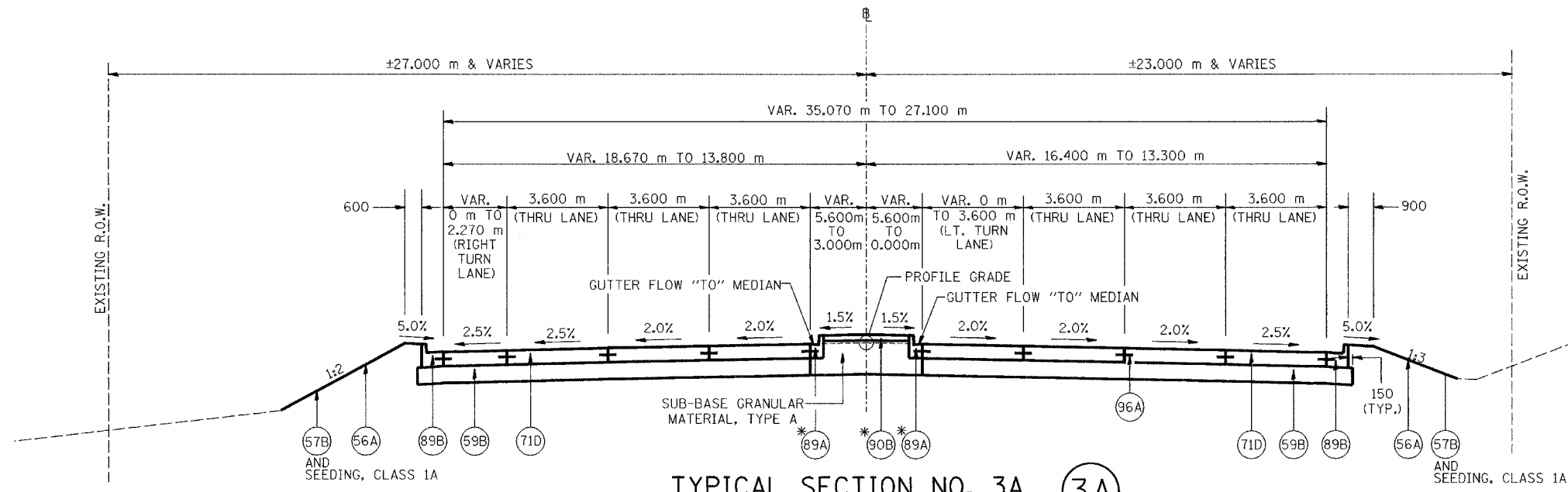
REVISIONS	
NAME	DATE



ILLINOIS DEPARTMENT OF TRANSPORTATION  
FAI ROUTE 74 (I-74)  
**PROPOSED TYPICAL SECTIONS**  
ILL. 116 - U.S. 150 - MAIN ST.  
NUMBERS 1A & 2A  
DRAWN BY NIL  
CHECKED BY JJM  
DATE 12-20-04

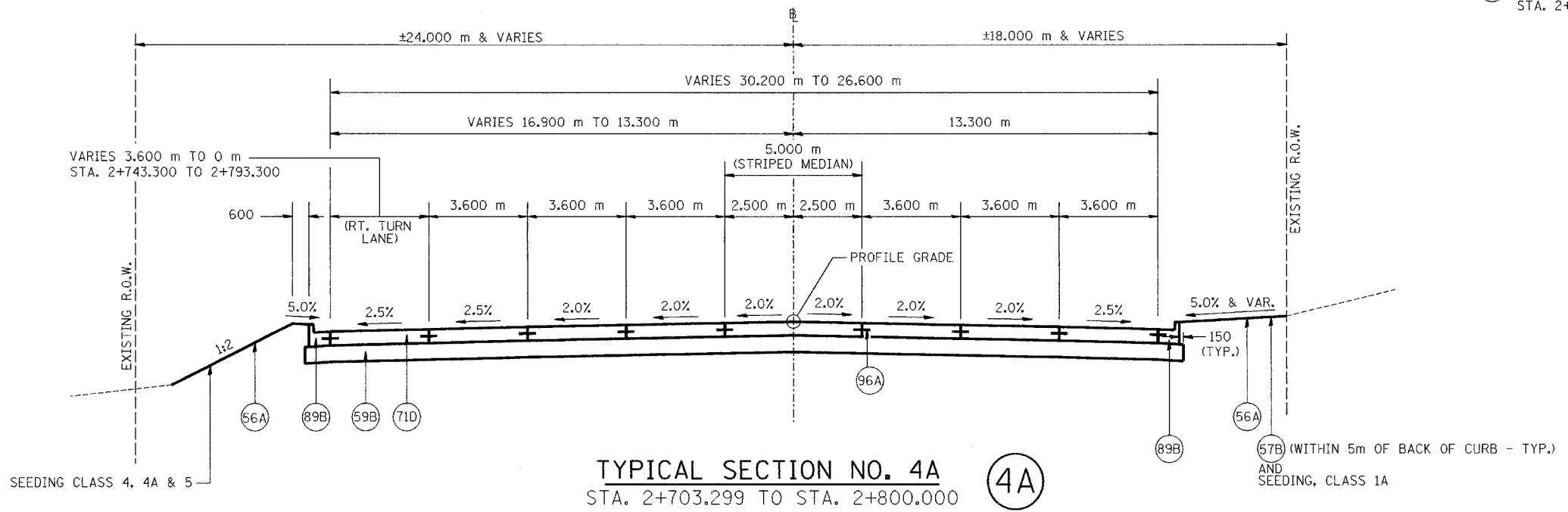
F.A.I. RTE.	SECTION	COUNTY	TOTAL SHEETS	SHEET NO.
74	*	TAZEWELL	1366	80
STA.		TO STA.		
FED. ROAD DIST. NO.		ILLINOIS FED. AID PROJECT		

\*(90-11)R-2;90(13,14,14-1)R-1



**TYPICAL SECTION NO. 3A** (3A)  
 STA. 2+579.299 TO STA. 2+703.299

\* (90A) PR CONCRETE MEDIAN, TYPE SB-15.30  
 STA. 2+643.410 TO 2+688.000



**TYPICAL SECTION NO. 4A** (4A)  
 STA. 2+703.299 TO STA. 2+800.000

**LEGEND**

- (56A) PR FURNISH AND PLACE TOPSOIL, 100 mm
- (57B) PR SODDING, SALT TOLERANT
- (59B) PR SUB-BASE GRANULAR MATERIAL, TYPE A 300 mm
- (71D) PR PORTLAND CEMENT CONCRETE PAVEMENT 250 mm (JOINTED)
- (89A) PR COMBINATION CONCRETE CURB AND GUTTER, TYPE B-15.30
- (89B) PR COMBINATION CONCRETE CURB AND GUTTER, TYPE B-15.60
- (90A) PR CONCRETE MEDIAN, TYPE SB-15.30
- (90B) PR CONCRETE MEDIAN SURFACE 100 mm
- (96A) PR LONGITUDINAL CONSTRUCTION JOINT

NOTES: ALL DIMENSIONS ARE IN MILLIMETERS (mm) UNLESS OTHERWISE STATED.

REVISIONS	
NAME	DATE

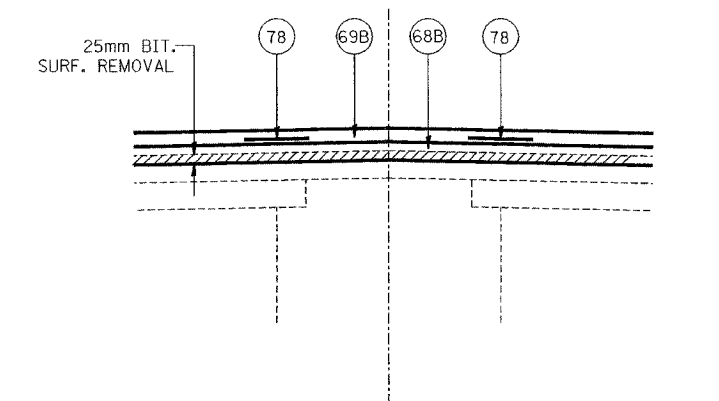
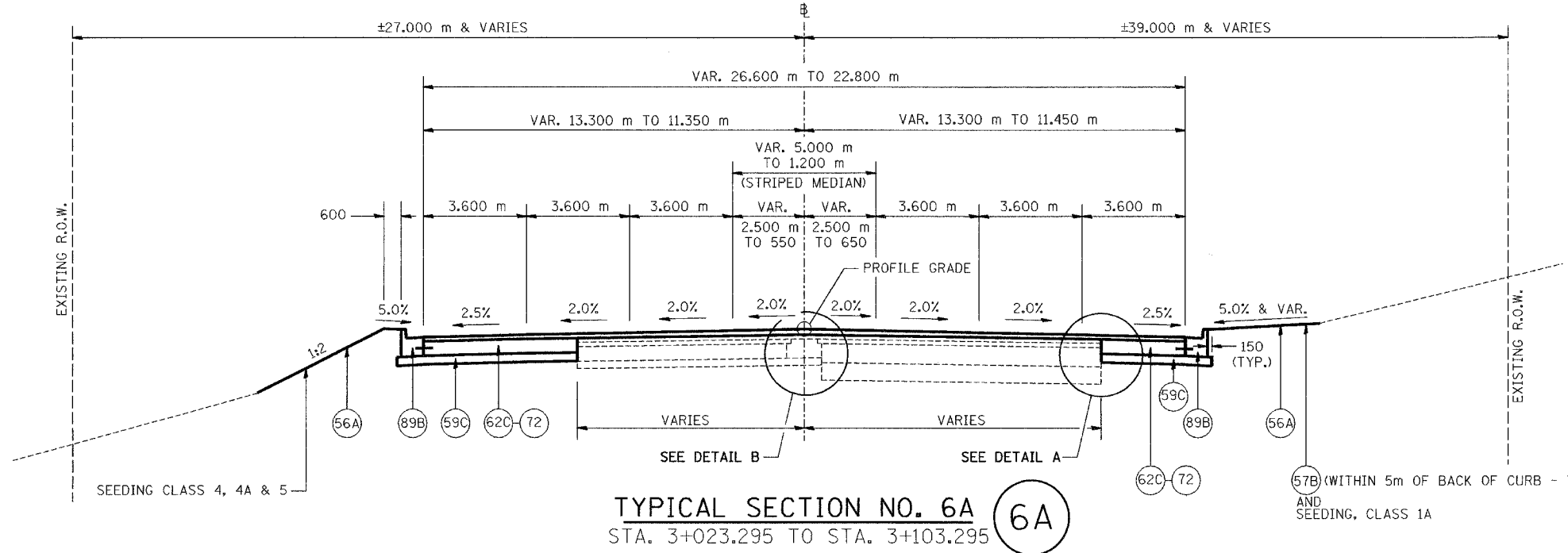
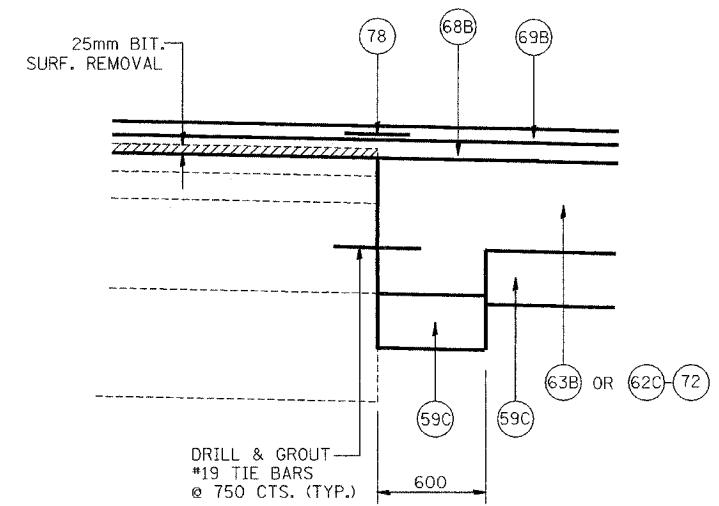
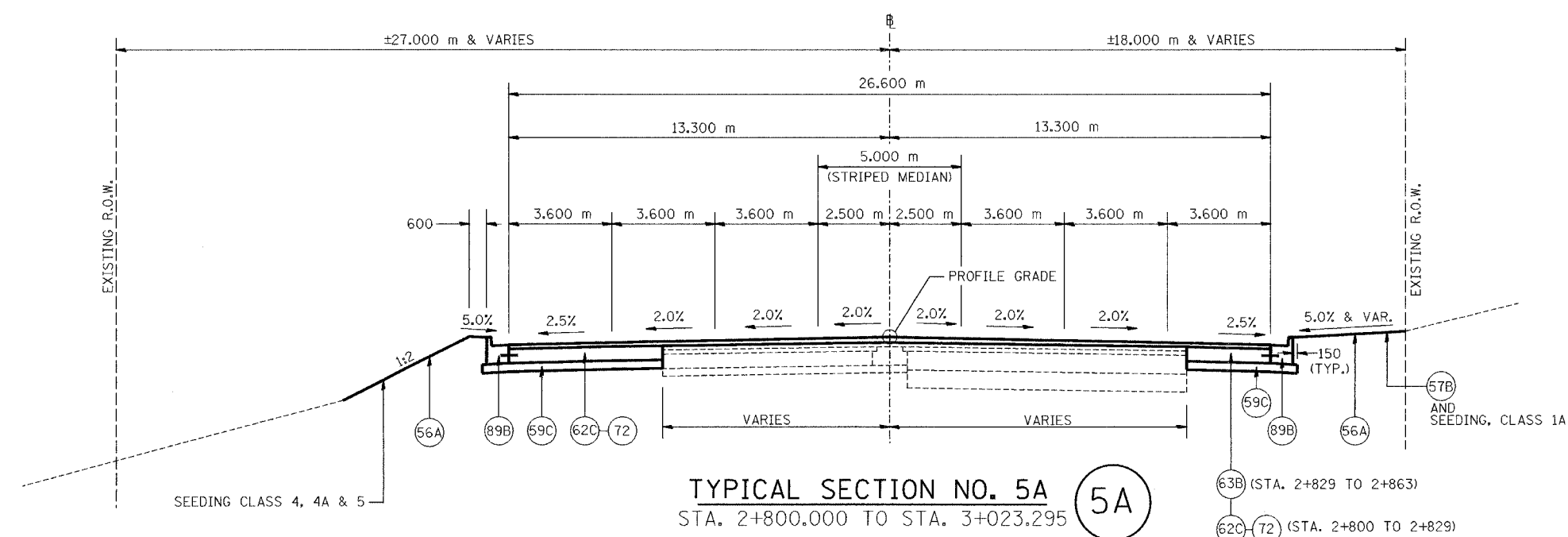
ILLINOIS DEPARTMENT OF TRANSPORTATION  
 FAI ROUTE 74 (I-74)  
**PROPOSED TYPICAL SECTIONS**  
 ILL. 116 - U.S. 150 - MAIN ST.  
 NUMBERS 3A & 4A  
 DRAWN BY NIL  
 CHECKED BY JUM  
 DATE 12-20-04





F.A.I. RTE.	SECTION	COUNTY	TOTAL SHEETS	SHEET NO.
74	*	TAZEWELL	1366	31
STA.	TO STA.			
FED. ROAD DIST. NO.	ILLINOIS FED. AID PROJECT			

\*(90-11)R-2;90(13,14,14-1)R-1



LEGEND			
56A	PR FURNISH AND PLACE TOP SOIL 100 mm	78	PR STRIP REFLECTIVE CRACK CONTROL TREATMENT
57B	PR SODDING, SALT TOLERANT	89A	PR COMBINATION CONCRETE CURB AND GUTTER, TYPE B-15.30
59B	PR SUB-BASE GRANULAR MATERIAL, TYPE A 300 mm	89B	PR COMBINATION CONCRETE CURB AND GUTTER, TYPE B-15.60
59C	PR SUB-BASE GRANULAR MATERIAL, TYPE B 150 mm	90A	PR CONCRETE MEDIAN, TYPE SB-15.30
62C	PR PORTLAND CEMENT CONCRETE BASE COURSE 250 mm	96A	PR LONGITUDINAL CONSTRUCTION JOINT
63B	PR PORTLAND CEMENT CONCRETE BASE COURSE WIDENING 250 mm		
64E	PR BITUMINOUS BASE COURSE 250 mm		
68B	PR BITUMINOUS CONCRETE BINDER COURSE, SUPERPAVE, IL-19.0, N70, 50 mm (MIN.)		
69B	PR BITUMINOUS CONCRETE SURFACE COURSE, SUPERPAVE, MIX "D", N70, 38 mm		
71D	PR PORTLAND CEMENT CONCRETE PAVEMENT 250 mm (JOINTED)		
72	PR PAVEMENT FABRIC		

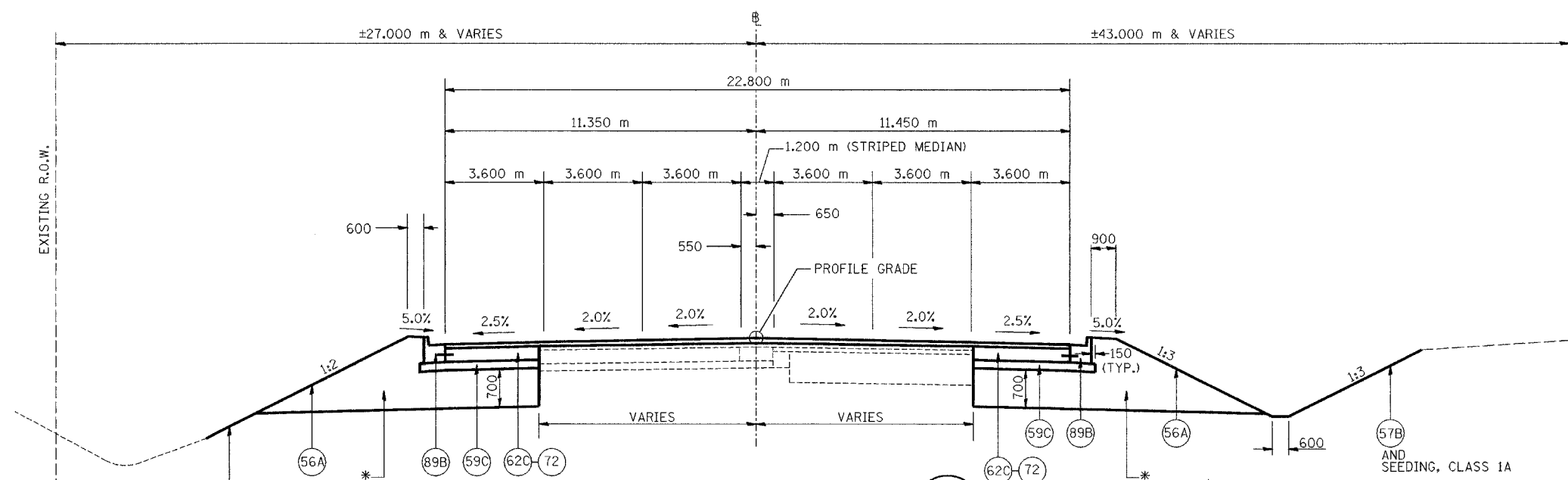
REVISIONS	
NAME	DATE

ILLINOIS DEPARTMENT OF TRANSPORTATION  
FAI ROUTE 74 (I-74)  
**PROPOSED TYPICAL SECTIONS**  
ILL. 116 - U.S. 150 - MAIN ST.  
NUMBERS 5A & 6A  
DRAWN BY MLS  
CHECKED BY JMM  
DATE 12-20-04



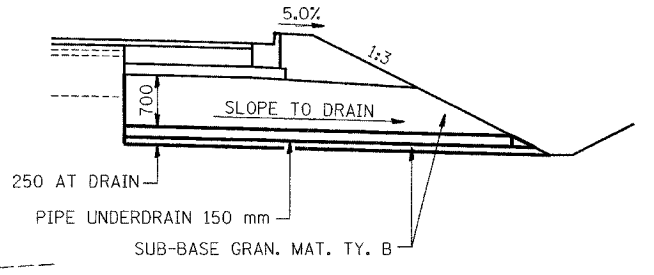
F.A.I. RTE.	SECTION	COUNTY	TOTAL SHEETS	SHEET NO.
74	*	TAZEWELL	1366	82
STA.	TO STA.			
FED. ROAD DIST. NO.	ILLINOIS FED. AID PROJECT			

\*(90-11)R-2;90(13,14,14-1)R-1



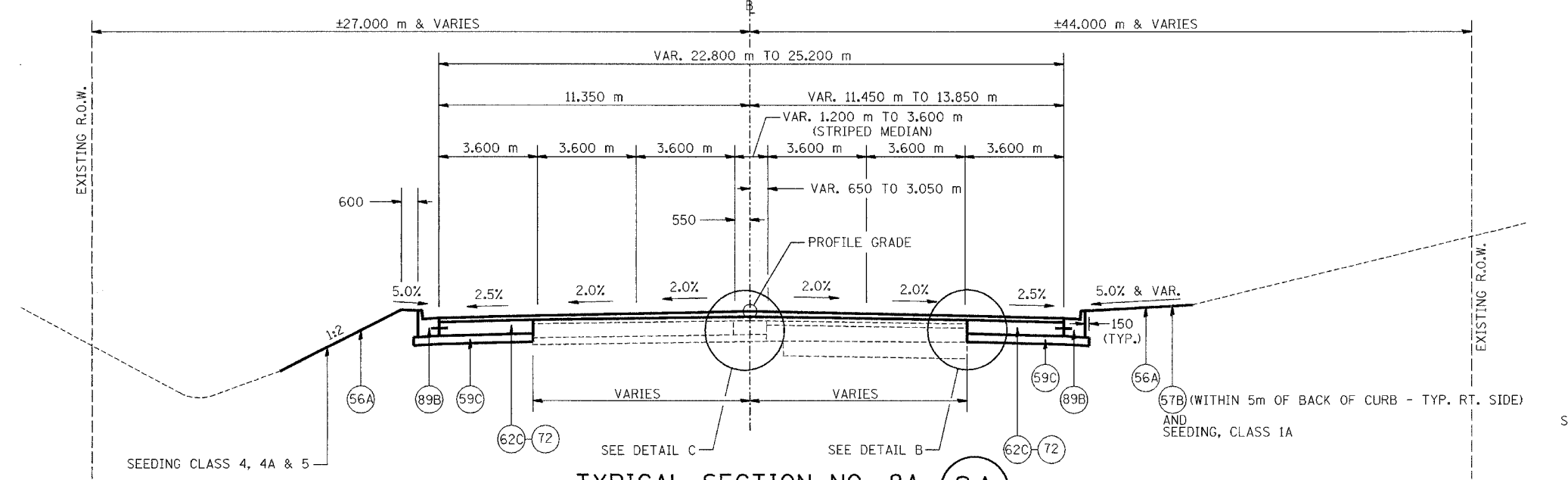
**TYPICAL SECTION NO. 7A**  
STA. 3+103.295 TO STA. 3+432.225

\* REMOVE UNSUITABLE SOIL & REPLACE W/ SUB-BASE GRAN. MAT. TY. B LT. & RT. STA. 3+185 TO 3+255 (SEE DETAIL A - THIS SHEET)

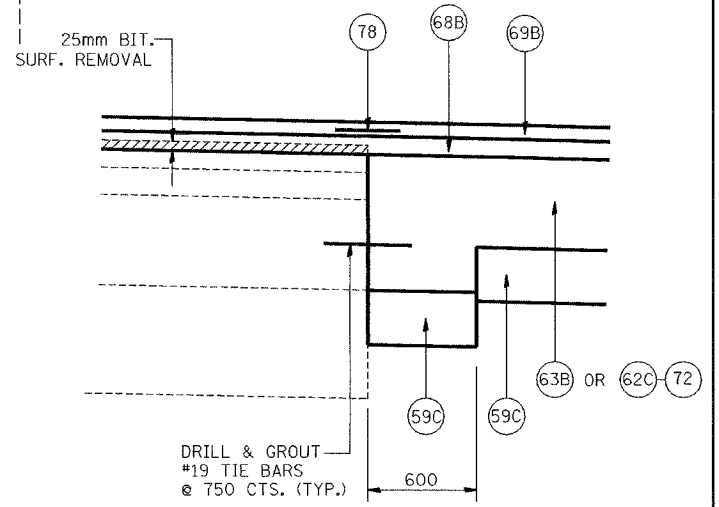


**DETAIL A**

(SHOWING PIPE UNDERDRAIN AT STA. 3+255) (L.T. SIDE SIMILAR)

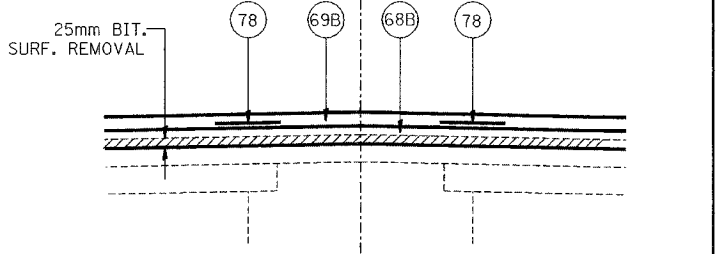


**TYPICAL SECTION NO. 8A**  
STA. 3+432.225 TO STA. 3+531.225



**DETAIL B**

(TYPICAL AT EDGE OF EXISTING REMAINING PAVEMENT)



**DETAIL C**

(TYPICAL AT EDGE OF EXISTING REMAINING CONCRETE MEDIAN)

LEGEND			
56A	PR FURNISH AND PLACE TOP SOIL 100 mm	78	PR STRIP REFLECTIVE CRACK CONTROL TREATMENT
57B	PR SODDING, SALT TOLERANT	89A	PR COMBINATION CONCRETE CURB AND GUTTER, TYPE B-15.30
59B	PR SUB-BASE GRANULAR MATERIAL, TYPE A 300 mm	89B	PR COMBINATION CONCRETE CURB AND GUTTER, TYPE B-15.60
59C	PR SUB-BASE GRANULAR MATERIAL, TYPE B 150 mm	90A	PR CONCRETE MEDIAN, TYPE SB-15.30
62C	PR PORTLAND CEMENT CONCRETE BASE COURSE 250 mm	96A	PR LONGITUDINAL CONSTRUCTION JOINT
63B	PR PORTLAND CEMENT CONCRETE BASE COURSE WIDENING 250 mm		
64E	PR BITUMINOUS BASE COURSE 250 mm		
68B	PR BITUMINOUS CONCRETE BINDER COURSE, SUPERPAVE, IL-19.0, N70, 50 mm (MIN.)		
69B	PR BITUMINOUS CONCRETE SURFACE COURSE, SUPERPAVE, MIX "D", N70, 38 mm		
71D	PR PORTLAND CEMENT CONCRETE PAVEMENT 250 mm (JOINTED)		
72	PR PAVEMENT FABRIC		

NOTES:

ALL DIMENSIONS ARE IN MILLIMETERS (mm) UNLESS OTHERWISE STATED.

REVISIONS	
NAME	DATE

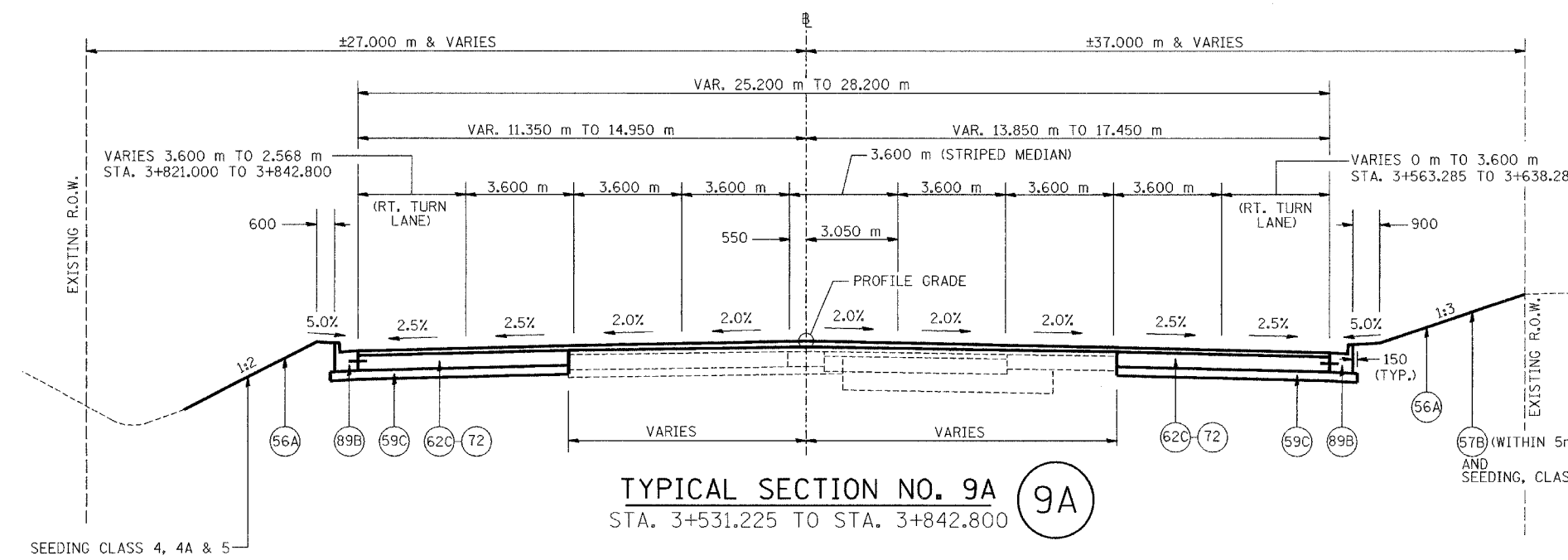
ILLINOIS DEPARTMENT OF TRANSPORTATION  
FAI ROUTE 74 (I-74)  
**PROPOSED TYPICAL SECTIONS**  
ILL. 116 - U.S. 150 - MAIN ST.  
NUMBERS 7A & 8A  
DRAWN BY MLS  
CHECKED BY JJM  
DATE 12-20-04



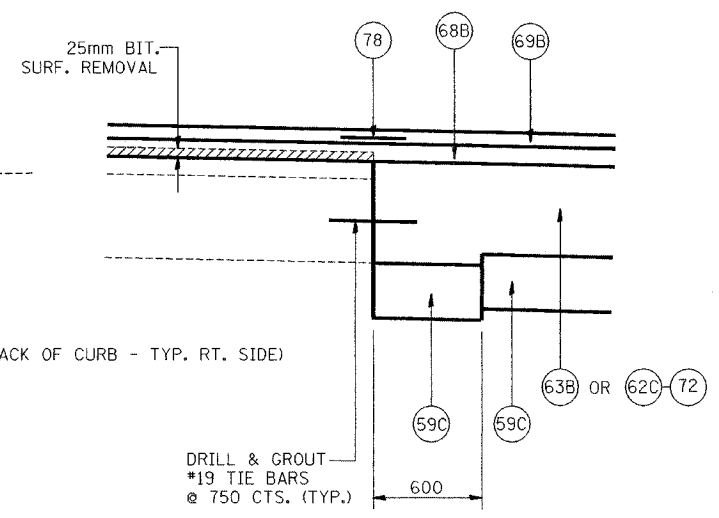
K:\67-24-1-1002\02\21 ufp-ubus-101151\EMPLOYEE\ZBERG.DWG

68201			
F.A.I. RTE.	SECTION	COUNTY	TOTAL SHEETS
74	*	TAZEWELL	1366
STA.	TO STA.		SHEET NO.
			83
FED. ROAD DIST. NO.	ILLINOIS	FED. AID PROJECT	

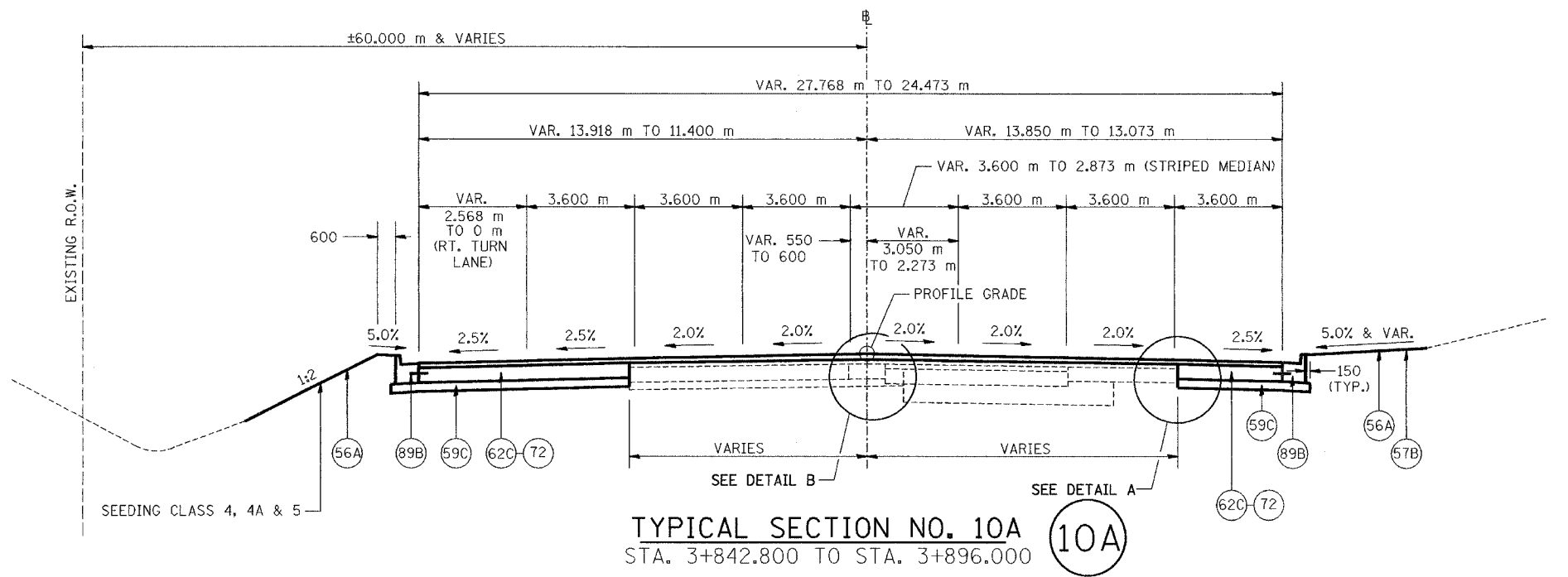
\*(90-11)R-2;90(13,14,14-1)R-1



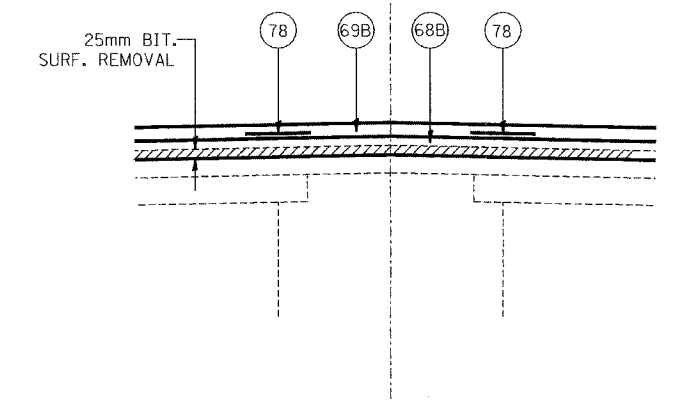
**TYPICAL SECTION NO. 9A**  
STA. 3+531.225 TO STA. 3+842.800



**DETAIL A**  
(TYPICAL AT EDGE OF EXISTING REMAINING PAVEMENT)



**TYPICAL SECTION NO. 10A**  
STA. 3+842.800 TO STA. 3+896.000



**DETAIL B**  
(TYPICAL AT EDGE OF EXISTING REMAINING CONCRETE MEDIAN)

LEGEND			
56A	PR FURNISH AND PLACE TOP SOIL 100 mm	78	PR STRIP REFLECTIVE CRACK CONTROL TREATMENT
57B	PR SODDING, SALT TOLERANT	89A	PR COMBINATION CONCRETE CURB AND GUTTER, TYPE B-15.30
59B	PR SUB-BASE GRANULAR MATERIAL, TYPE A 300 mm	89B	PR COMBINATION CONCRETE CURB AND GUTTER, TYPE B-15.60
59C	PR SUB-BASE GRANULAR MATERIAL, TYPE B 150 mm	90A	PR CONCRETE MEDIAN, TYPE SB-15.30
62C	PR PORTLAND CEMENT CONCRETE BASE COURSE 250 mm	96A	PR LONGITUDINAL CONSTRUCTION JOINT
63B	PR PORTLAND CEMENT CONCRETE BASE COURSE WIDENING 250 mm		
64E	PR BITUMINOUS BASE COURSE 250 mm		
68B	PR BITUMINOUS CONCRETE BINDER COURSE, SUPERPAVE, IL-19.0, N70, 50 mm (MIN.)		
69B	PR BITUMINOUS CONCRETE SURFACE COURSE, SUPERPAVE, MIX "D", N70, 38 mm		
71D	PR PORTLAND CEMENT CONCRETE PAVEMENT 250 mm (JOINTED)		
72	PR PAVEMENT FABRIC		

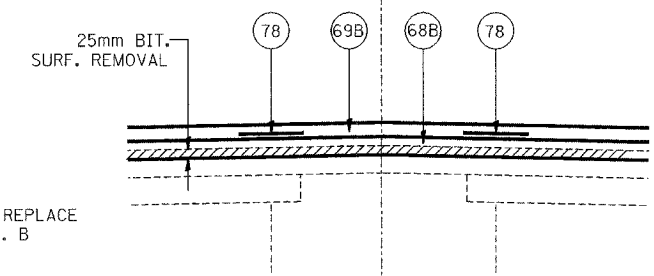
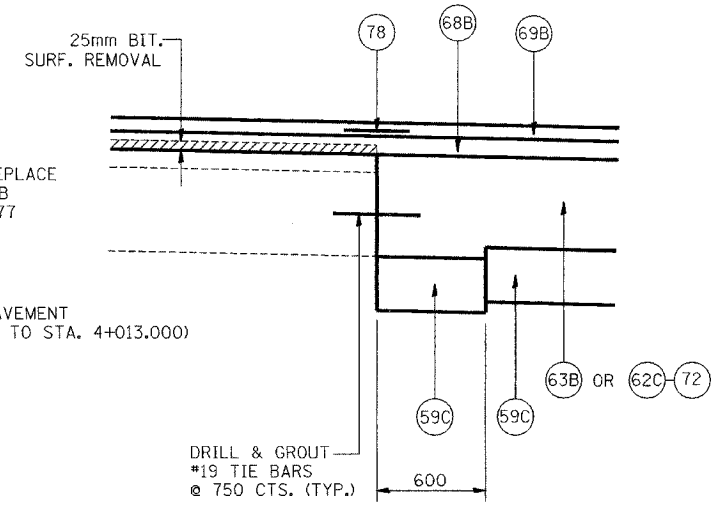
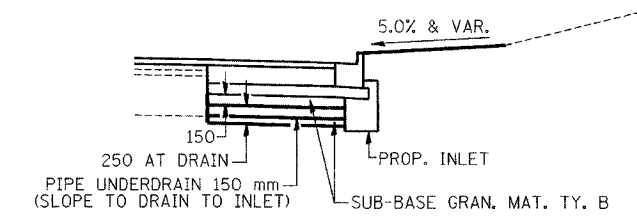
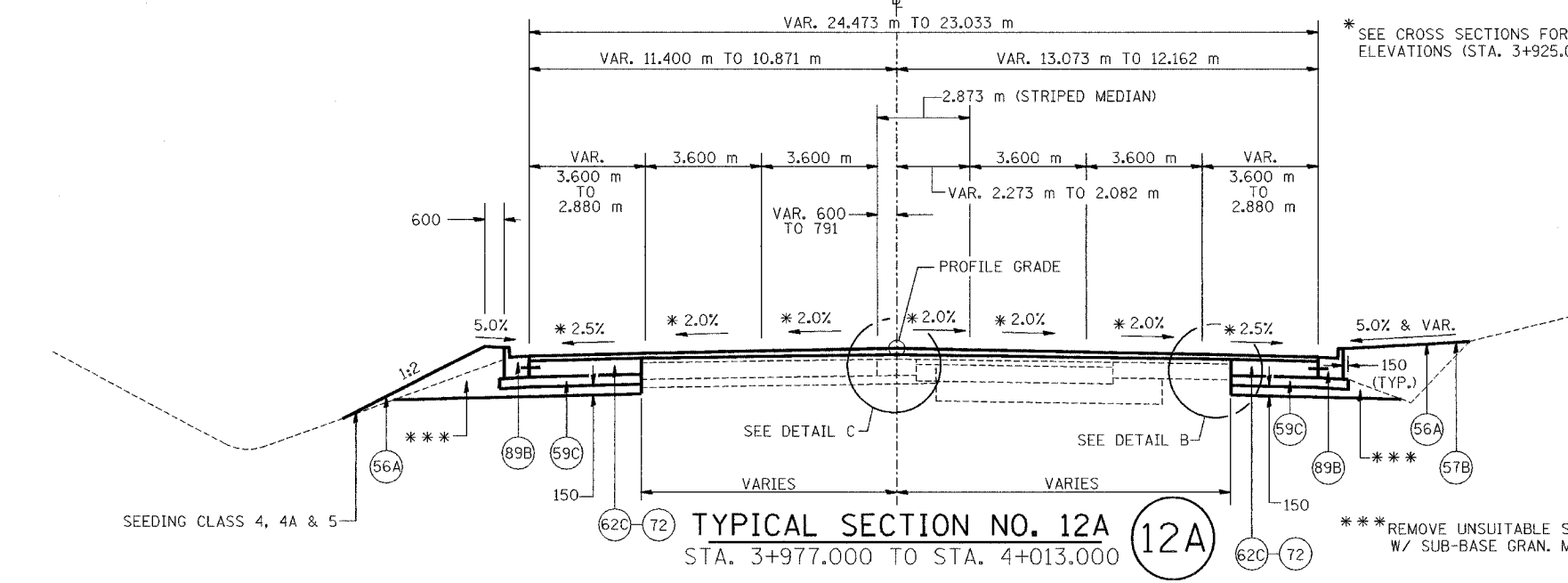
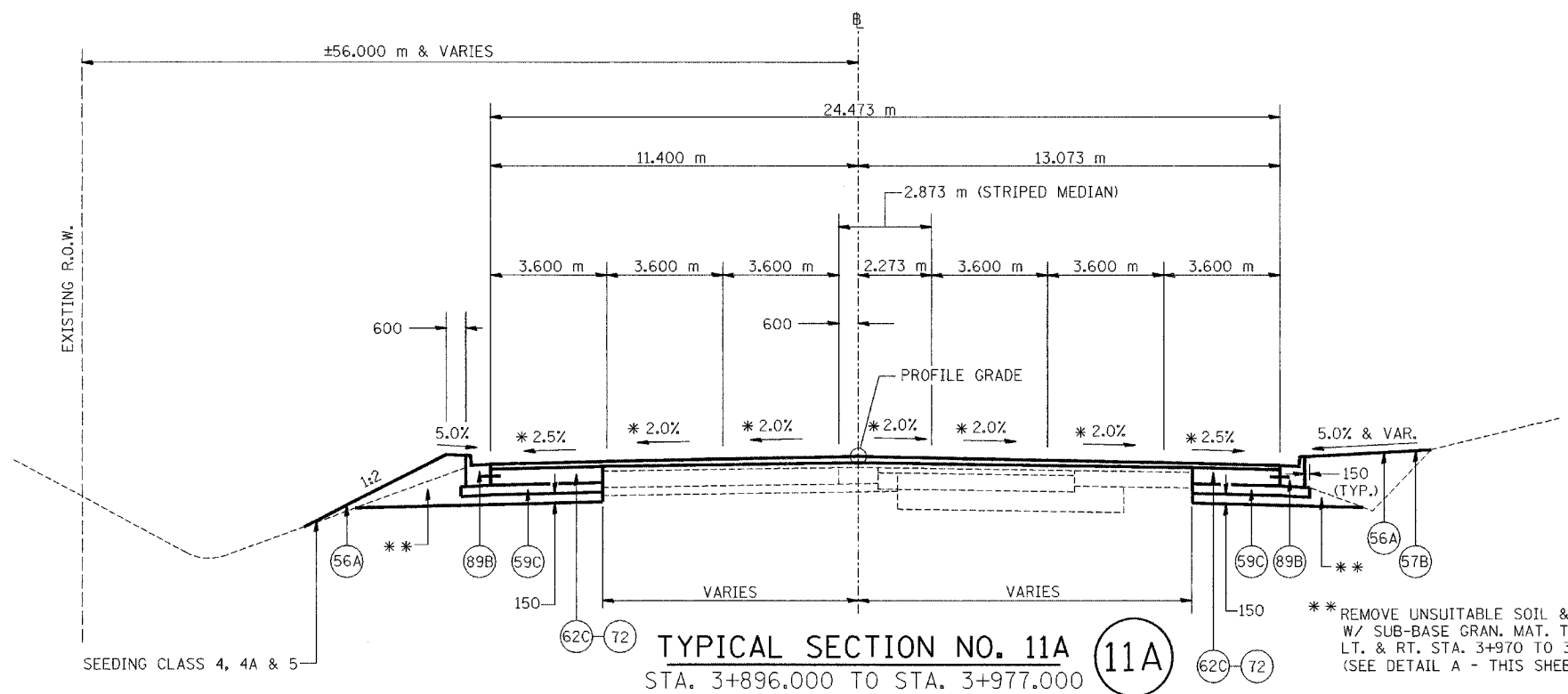
NOTES: ALL DIMENSIONS ARE IN MILLIMETERS (mm) UNLESS OTHERWISE STATED.

REVISIONS	
NAME	DATE

ILLINOIS DEPARTMENT OF TRANSPORTATION  
FAI ROUTE 74 (I-74)  
**PROPOSED TYPICAL SECTIONS**  
ILL. 116 - U.S. 150 - MAIN ST.  
NUMBERS 9A & 10A  
DRAWN BY MLS  
DATE 12-20-04  
CHECKED BY JJM



F.A.I. RTE.	SECTION	COUNTY	TOTAL SHEETS	SHEET NO.
74	*	TAZEWELL	1366	84
STA. TO STA.		ILLINOIS FED. AID PROJECT		
FED. ROAD DIST. NO.		*(90-11)R-2;90(13,14,14-1)R-1		



LEGEND		
(56A) PR FURNISH AND PLACE TOP SOIL 100 mm	(68B) PR BITUMINOUS CONCRETE BINDER COURSE, SUPERPAVE, IL-19.0, N70, 50 mm (MIN.)	(78) PR STRIP REFLECTIVE CRACK CONTROL TREATMENT
(57B) PR SODDING, SALT TOLERANT	(69B) PR BITUMINOUS CONCRETE SURFACE COURSE, SUPERPAVE, MIX "D", N70, 38 mm	(89A) PR COMBINATION CONCRETE CURB AND GUTTER, TYPE B-15.30
(59B) PR SUB-BASE GRANULAR MATERIAL, TYPE A 300 mm	(71D) PR PORTLAND CEMENT CONCRETE PAVEMENT 250 mm (JOINTED)	(89B) PR COMBINATION CONCRETE CURB AND GUTTER, TYPE B-15.60
(59C) PR SUB-BASE GRANULAR MATERIAL, TYPE B 150 mm	(72) PR PAVEMENT FABRIC	(90A) PR CONCRETE MEDIAN, TYPE SB-15.30
(62C) PR PORTLAND CEMENT CONCRETE BASE COURSE 250 mm		(96A) PR LONGITUDINAL CONSTRUCTION JOINT
(63B) PR PORTLAND CEMENT CONCRETE BASE COURSE WIDENING 250 mm		
(64E) PR BITUMINOUS BASE COURSE 250 mm		

NOTES: ALL DIMENSIONS ARE IN MILLIMETERS (mm) UNLESS OTHERWISE STATED.

REVISIONS	
NAME	DATE

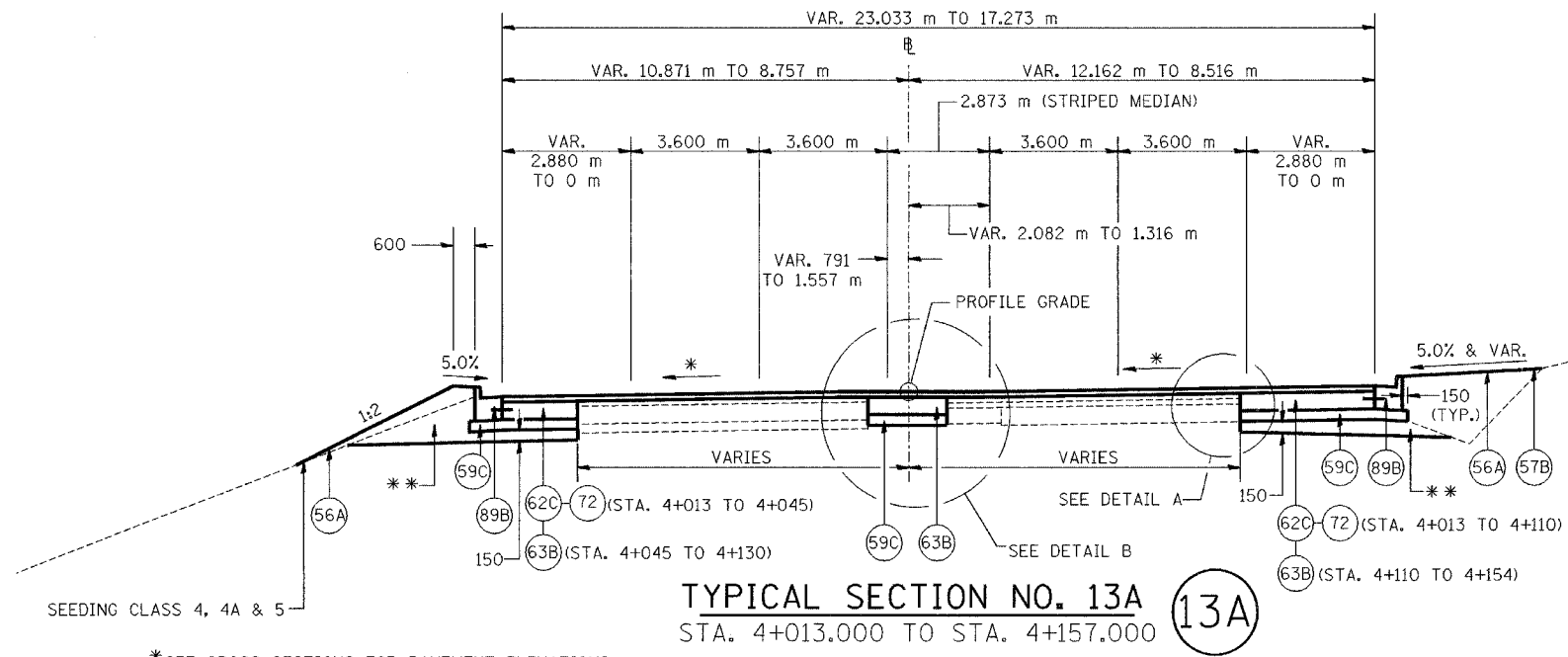
**ILLINOIS DEPARTMENT OF TRANSPORTATION**  
FAI ROUTE 74 (I-74)  
**PROPOSED TYPICAL SECTIONS**  
ILL. 116 - U.S. 150 - MAIN ST.  
NUMBERS 11A & 12A

DATE 12-20-04  
DRAWN BY M.L.S.  
CHECKED BY J.J.M.



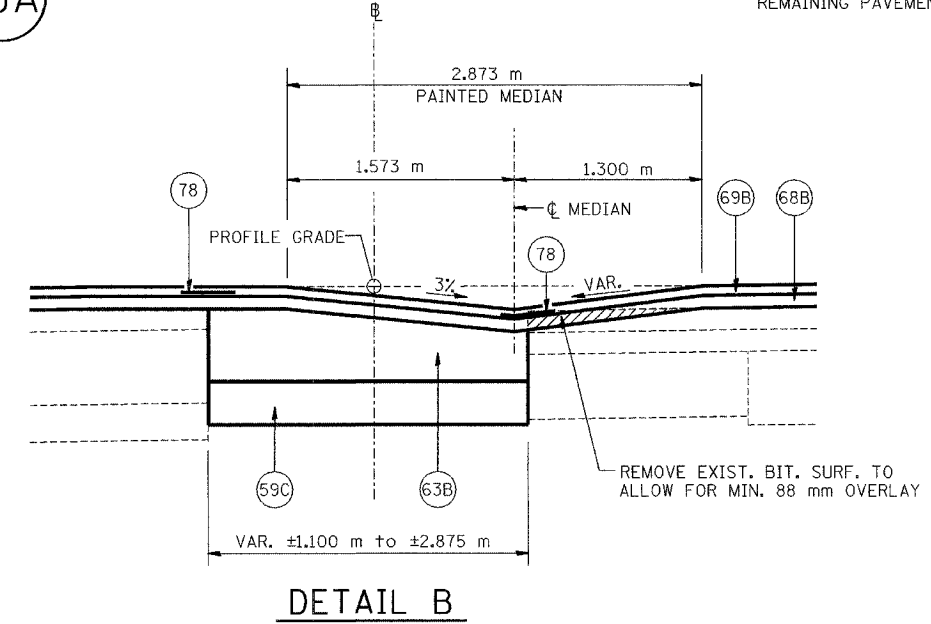
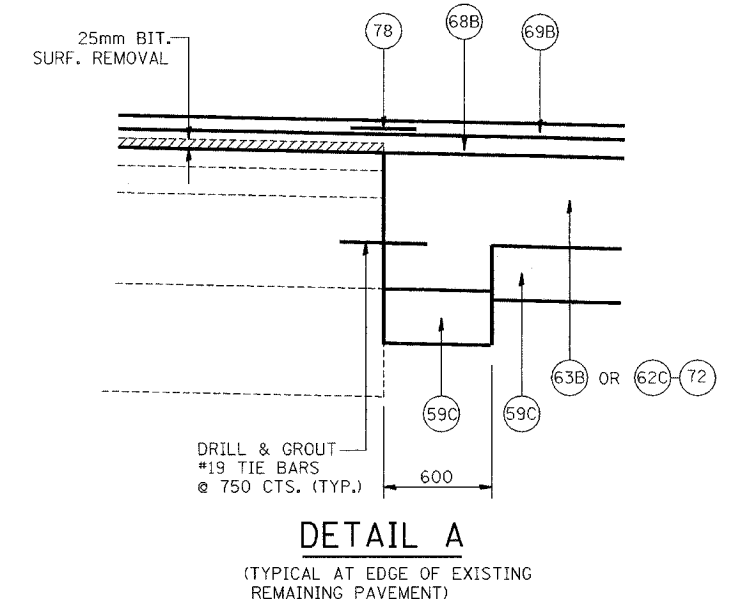
F.A.I. RTE.	SECTION	COUNTY	TOTAL SHEETS	SHEET NO.
74	*	TAZEWELL	1366	85
STA.		TO STA.		
FED. ROAD DIST. NO.		ILLINOIS FED. AID PROJECT		

\*(90-11)R-2;90(13,14,14-1)R-1



**TYPICAL SECTION NO. 13A**  
STA. 4+013.000 TO STA. 4+157.000 **13A**

\*SEE CROSS SECTIONS FOR PAVEMENT ELEVATIONS  
 \*\* REMOVE UNSUITABLE SOIL & REPLACE W/ SUB-BASE GRAN. MAT. TY. B LT. & RT. STA. 4+013 TO 4+045



**DETAIL B**

LEGEND			
56A	PR FURNISH AND PLACE TOP SOIL 100 mm	78	PR STRIP REFLECTIVE CRACK CONTROL TREATMENT
57B	PR SODDING. SALT TOLERANT	89A	PR COMBINATION CONCRETE CURB AND GUTTER, TYPE B-15.30
59B	PR SUB-BASE GRANULAR MATERIAL, TYPE A 300 mm	89B	PR COMBINATION CONCRETE CURB AND GUTTER, TYPE B-15.60
59C	PR SUB-BASE GRANULAR MATERIAL, TYPE B 150 mm	90A	PR CONCRETE MEDIAN, TYPE SB-15.30
62C	PR PORTLAND CEMENT CONCRETE BASE COURSE 250 mm	96A	PR LONGITUDINAL CONSTRUCTION JOINT
63B	PR PORTLAND CEMENT CONCRETE BASE COURSE WIDENING 250 mm		
64E	PR BITUMINOUS BASE COURSE 250 mm		
68B	PR BITUMINOUS CONCRETE BINDER COURSE, SUPERPAVE, IL-19.0, N70, 50 mm (MIN.)		
69B	PR BITUMINOUS CONCRETE SURFACE COURSE, SUPERPAVE, MIX "D", N70, 38 mm		
71D	PR PORTLAND CEMENT CONCRETE PAVEMENT 250 mm (JOINTED)		
72	PR PAVEMENT FABRIC		

NOTES: ALL DIMENSIONS ARE IN MILLIMETERS (mm) UNLESS OTHERWISE STATED.

REVISIONS	
NAME	DATE



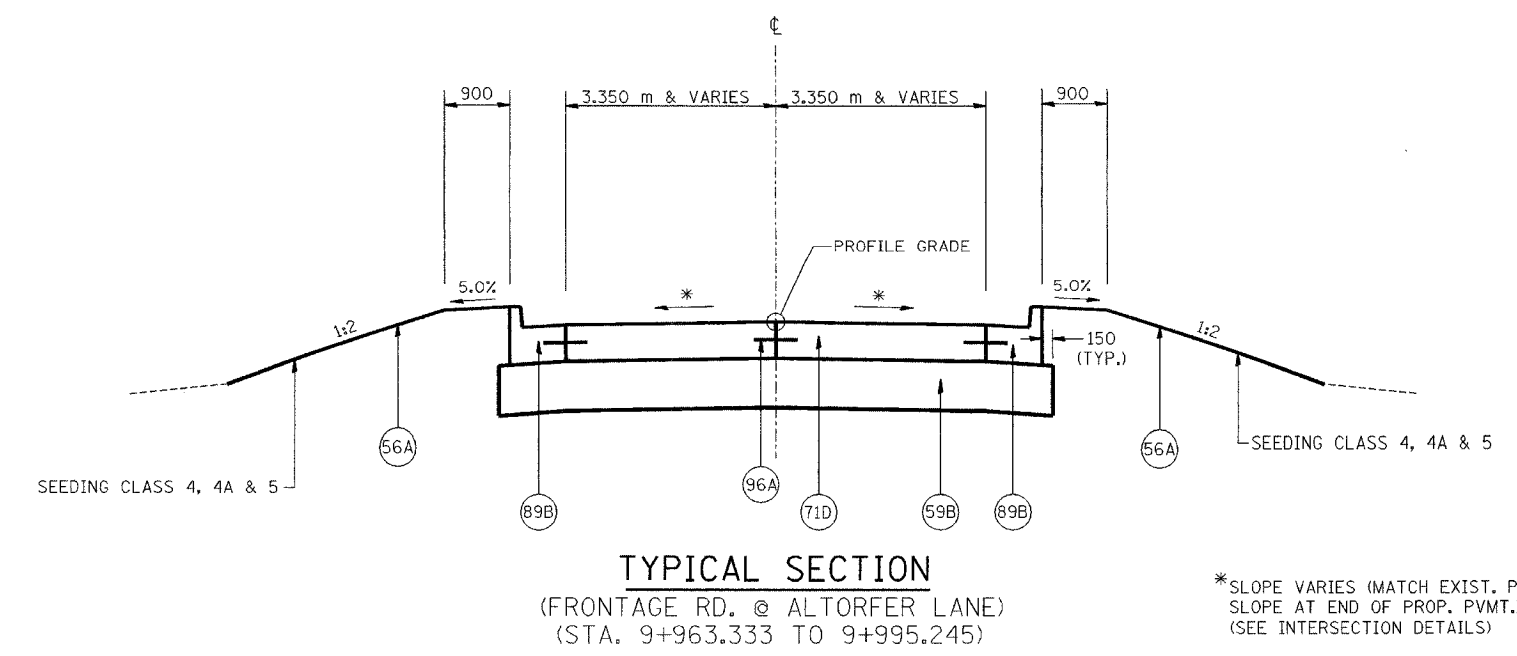
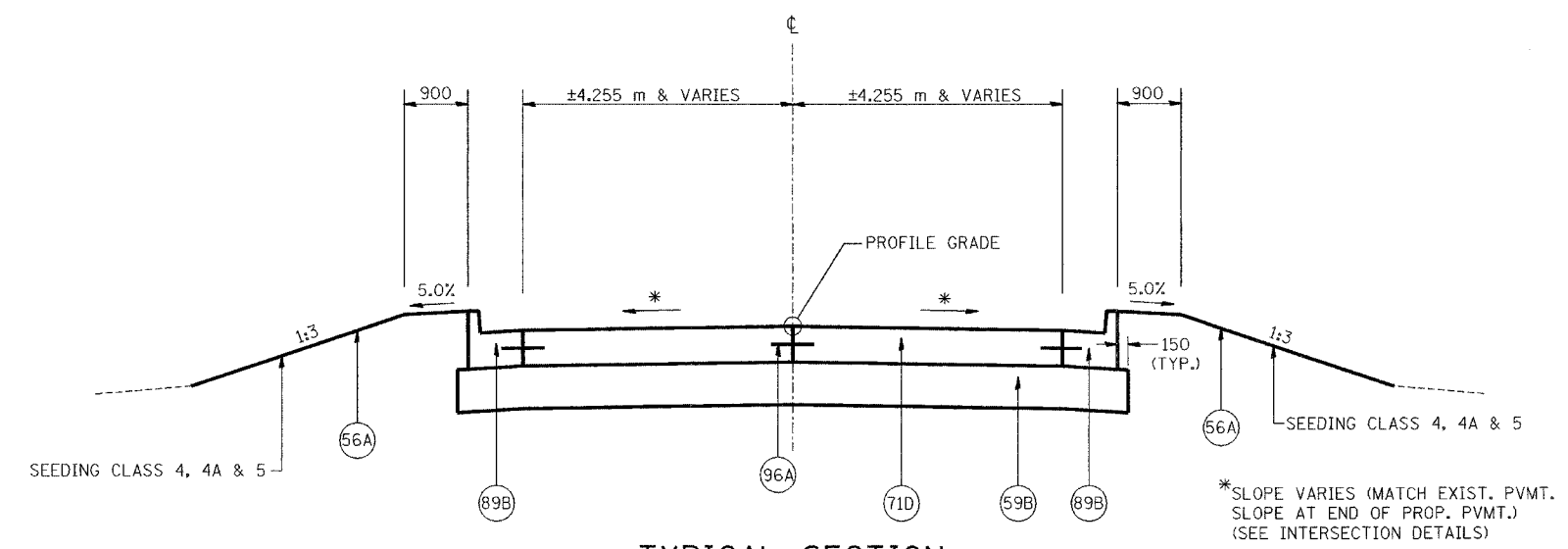
ILLINOIS DEPARTMENT OF TRANSPORTATION  
 FAI ROUTE 74 (I-74)  
**PROPOSED TYPICAL SECTIONS**  
 ILL. 116 - U.S. 150 - MAIN ST.  
 NUMBER 13A  
 DRAWN BY MLS  
 CHECKED BY JJM  
 DATE 12-20-04

M:\2008\11-1002\21\_000\101151\Amprca\2008.dwg

69201

F.A.I. RTE.	SECTION	COUNTY	TOTAL SHEETS	SHEET NO.
74	*	TAZEWELL	1366	86
STA.		TO STA.		
FED. ROAD DIST. NO.		ILLINOIS FED. AID PROJECT		

\*(90-11)R-2;90(13,14,14-1)R-1



\*SLOPE VARIES (MATCH EXIST. PVMT. SLOPE AT END OF PROP. PVMT.) (SEE INTERSECTION DETAILS)

\*SLOPE VARIES (MATCH EXIST. PVMT. SLOPE AT END OF PROP. PVMT.) (SEE INTERSECTION DETAILS)

NOTES: ALL DIMENSIONS ARE IN MILLIMETERS (mm) UNLESS OTHERWISE STATED.

LEGEND			
56A	PR FURNISH AND PLACE TOP SOIL 100 mm	78	PR STRIP REFLECTIVE CRACK CONTROL TREATMENT
57B	PR SODDING, SALT TOLERANT	89A	PR COMBINATION CONCRETE CURB AND GUTTER, TYPE B-15.30
59B	PR SUB-BASE GRANULAR MATERIAL, TYPE A 300 mm	89B	PR COMBINATION CONCRETE CURB AND GUTTER, TYPE B-15.60
59C	PR SUB-BASE GRANULAR MATERIAL, TYPE B 150 mm	90A	PR CONCRETE MEDIAN, TYPE SB-15.30
62C	PR PORTLAND CEMENT CONCRETE BASE COURSE 250 mm	96A	PR LONGITUDINAL CONSTRUCTION JOINT
63B	PR PORTLAND CEMENT CONCRETE BASE COURSE WIDENING 250 mm		
64E	PR BITUMINOUS BASE COURSE 250 mm		
68B	PR BITUMINOUS CONCRETE BINDER COURSE, SUPERPAVE, IL-19.0, N70, 50 mm (MIN.)		
69B	PR BITUMINOUS CONCRETE SURFACE COURSE, SUPERPAVE, MIX "D", N70, 38 mm		
71D	PR PORTLAND CEMENT CONCRETE PAVEMENT 250 mm (JOINTED)		

SHEET 1 OF 5

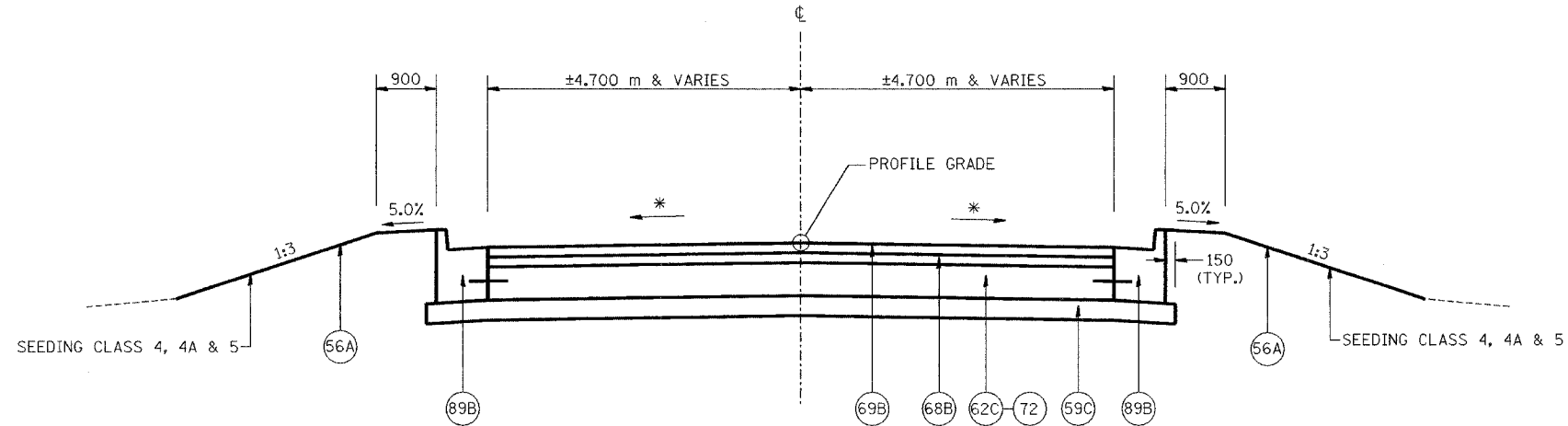


REVISIONS	
NAME	DATE

ILLINOIS DEPARTMENT OF TRANSPORTATION  
 FAI ROUTE 74 (I-74)  
**PROPOSED TYPICAL SECTIONS**  
 SIDE RD.  
 ALTORFER LN. @ MAIN ST. &  
 FRONTAGE RD. @ ALTORFER LN.  
 DRAWN BY M.L.S.  
 DATE 12-20-04  
 CHECKED BY JJM

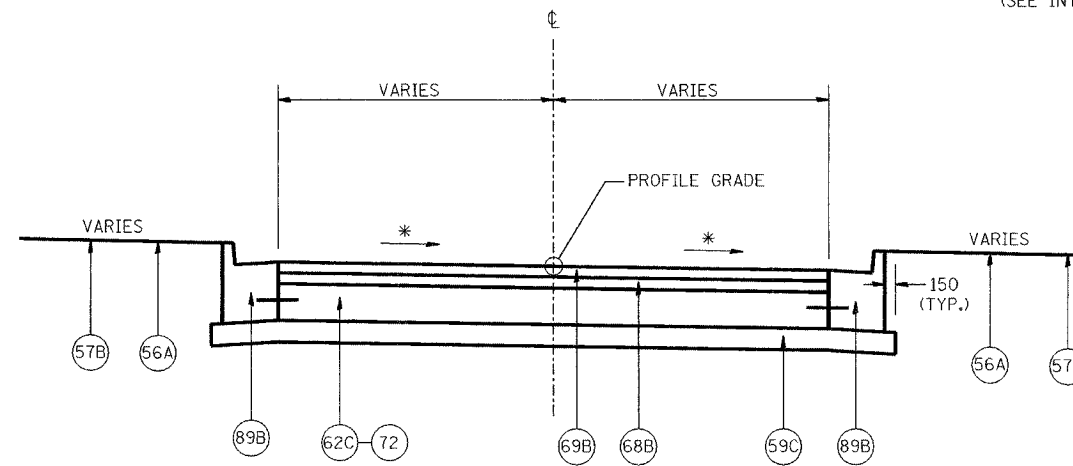
F.A.I. RTE.	SECTION	COUNTY	TOTAL SHEETS	SHEET NO.
74	*	TAZEWELL	1366	87
STA.		TO STA.		
FED. ROAD DIST. NO.		ILLINOIS FED. AID PROJECT		

\*(90-11)R-2;90(13,14,14-1)R-1



**TYPICAL SECTION**  
(NATIONAL STREET)  
(STA. 199+958.700 TO 199+986.700)

\* SLOPE VARIES (MATCH EXIST. PVMT. SLOPE AT END OF PROP. PVMT.) (SEE INTERSECTION DETAILS)



**TYPICAL SECTION**  
(CATERPILLAR TRAIL @ MAIN ST.)  
(STA. 200+013.300 TO 200+021.957)

\* SLOPE VARIES (MATCH EXIST. PVMT. SLOPE AT END OF PROP. PVMT.) (SEE INTERSECTION DETAILS)

NOTES: ALL DIMENSIONS ARE IN MILLIMETERS (mm) UNLESS OTHERWISE STATED.

LEGEND		
56A PR FURNISH AND PLACE TOP SOIL 100 mm	68B PR BITUMINOUS CONCRETE BINDER COURSE, SUPERPAVE, IL-19.0, N70, 50 mm	78 PR STRIP REFLECTIVE CRACK CONTROL TREATMENT
57B PR SODDING, SALT TOLERANT	69B PR BITUMINOUS CONCRETE SURFACE COURSE, SUPERPAVE, MIX "D", N70, 38 mm	89A PR COMBINATION CONCRETE CURB AND GUTTER, TYPE B-15.30
59B PR SUB-BASE GRANULAR MATERIAL, TYPE A 300 mm	71D PR PORTLAND CEMENT CONCRETE PAVEMENT 250 mm (JOINTED)	89B PR COMBINATION CONCRETE CURB AND GUTTER, TYPE B-15.60
59C PR SUB-BASE GRANULAR MATERIAL, TYPE B 150 mm	72 PR PAVEMENT FABRIC	90A PR CONCRETE MEDIAN, TYPE SB-15.30
62C PR PORTLAND CEMENT CONCRETE BASE COURSE 250 mm		96A PR LONGITUDINAL CONSTRUCTION JOINT
63B PR PORTLAND CEMENT CONCRETE BASE COURSE WIDENING 250 mm		
64E PR BITUMINOUS BASE COURSE 250 mm		

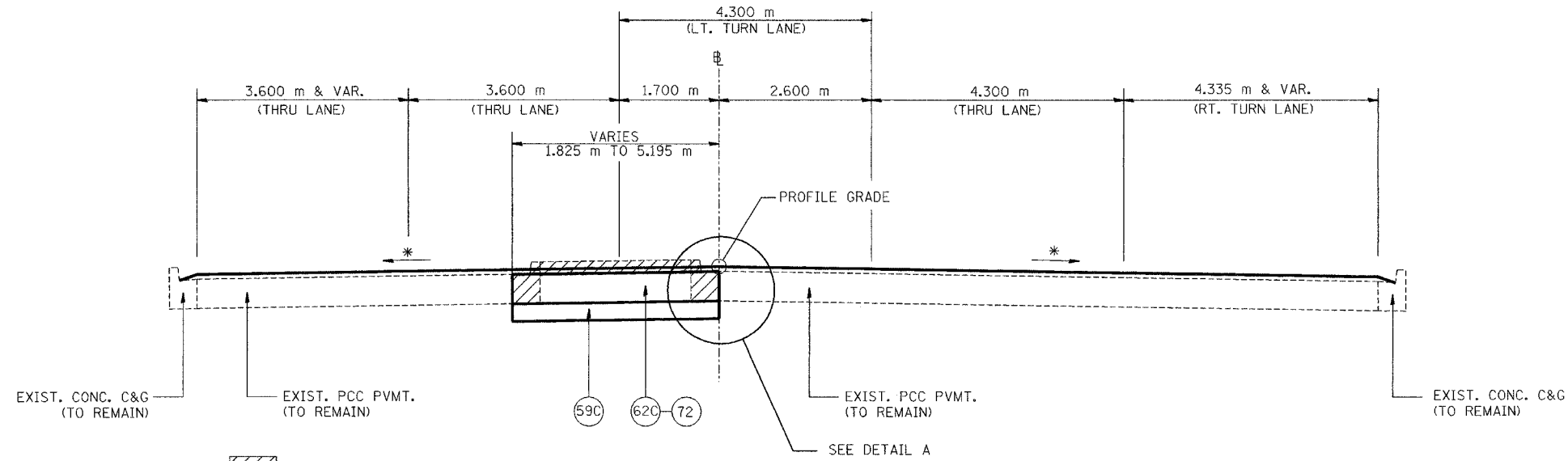
REVISIONS	
NAME	DATE

ILLINOIS DEPARTMENT OF TRANSPORTATION  
FAI ROUTE 74 (I-74)  
**PROPOSED TYPICAL SECTIONS**  
SIDE RD.  
NATIONAL STREET &  
CATERPILLAR TRAIL @ MAIN ST.  
DRAWN BY M.L.S.  
DATE 12-20-04  
CHECKED BY JJM

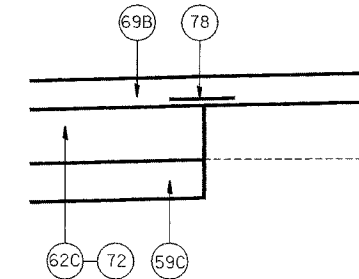


12/20/04 3:36:11 PM  
 I:\projects\68201\68201.dwg  
 12/20/04 3:36:11 PM

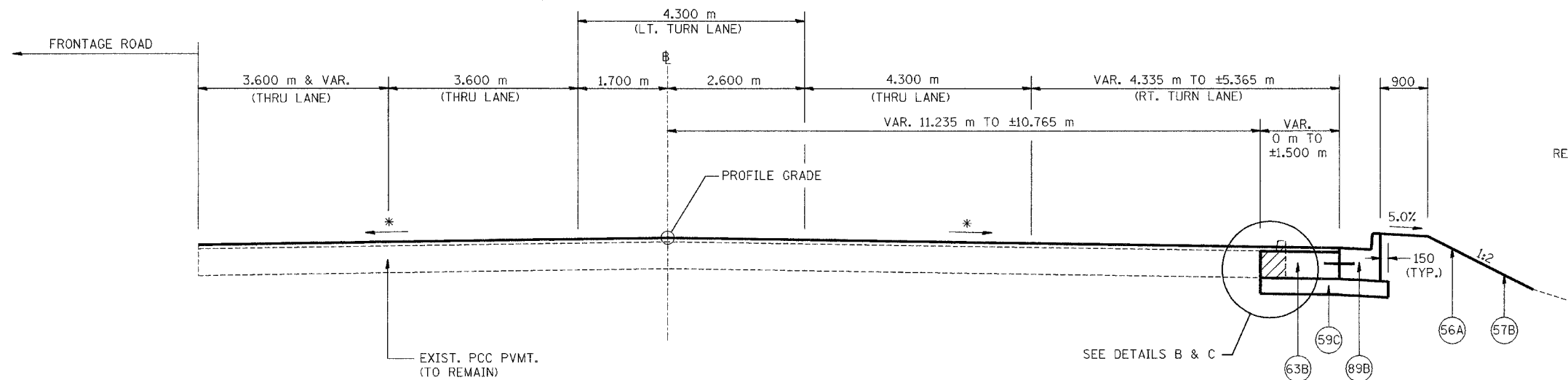
F.A.I. RTE.	SECTION	COUNTY	TOTAL SHEETS	SHEET NO.
74	*	TAZEWELL	1366	88
STA. TO STA.		ILLINOIS FED. AID PROJECT		
FED. ROAD DIST. NO.		*(90-11)R-2;90(13,14,14-1)R-1		



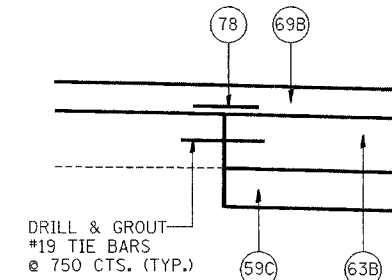
**TYPICAL SECTION**  
(BLACKJACK BLVD. - W. LEG)  
(STA. 99+876.450 TO STA. 99+939.000)



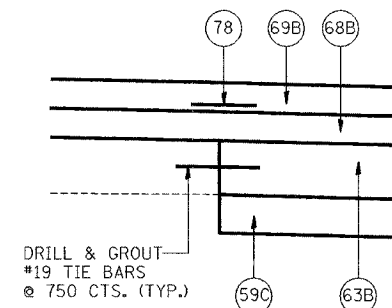
**DETAIL A**  
(TYPICAL AT EDGE OF EXISTING  
REMAINING PAVEMENT STA. 99+876.450 TO 99+939.000)



**TYPICAL SECTION**  
(BLACKJACK BLVD. - W. LEG)  
(STA. 99+939.000 TO STA. 99+967.649)



**DETAIL B**  
(TYPICAL AT EDGE OF EXISTING  
REMAINING PAVEMENT STA. 99+939.000 TO 99+942.583)



**DETAIL C**  
(TYPICAL AT EDGE OF EXISTING  
REMAINING PAVEMENT STA. 99+942.583 TO 99+967.649)

LEGEND		
56A) PR FURNISH AND PLACE TOP SOIL 100 mm	68B) PR BITUMINOUS CONCRETE BINDER COURSE, SUPERPAVE, IL-19.0, N70, 50 mm (MIN.)	78) PR STRIP REFLECTIVE CRACK CONTROL TREATMENT
57B) PR SODDING, SALT TOLERANT	69B) PR BITUMINOUS CONCRETE SURFACE COURSE, SUPERPAVE, MIX "D", N70, 38 mm	89A) PR COMBINATION CONCRETE CURB AND GUTTER, TYPE B-15.30
59B) PR SUB-BASE GRANULAR MATERIAL, TYPE A 300 mm	71D) PR PORTLAND CEMENT CONCRETE PAVEMENT 250 mm (JOINTED)	89B) PR COMBINATION CONCRETE CURB AND GUTTER, TYPE B-15.60
59C) PR SUB-BASE GRANULAR MATERIAL, TYPE B 150 mm	72) PR PAVEMENT FABRIC	90A) PR CONCRETE MEDIAN, TYPE SB-15.30
62C) PR PORTLAND CEMENT CONCRETE BASE COURSE 250 mm		96A) PR LONGITUDINAL CONSTRUCTION JOINT
63B) PR PORTLAND CEMENT CONCRETE BASE COURSE WIDENING 250 mm		
64E) PR BITUMINOUS BASE COURSE 250 mm		

NOTES:  
ALL DIMENSIONS ARE IN MILLIMETERS (mm)  
UNLESS OTHERWISE STATED.

SEE PROPOSED ROADWAY PLAN FOR LONGITUDINAL SECTION THROUGH PAVEMENT.



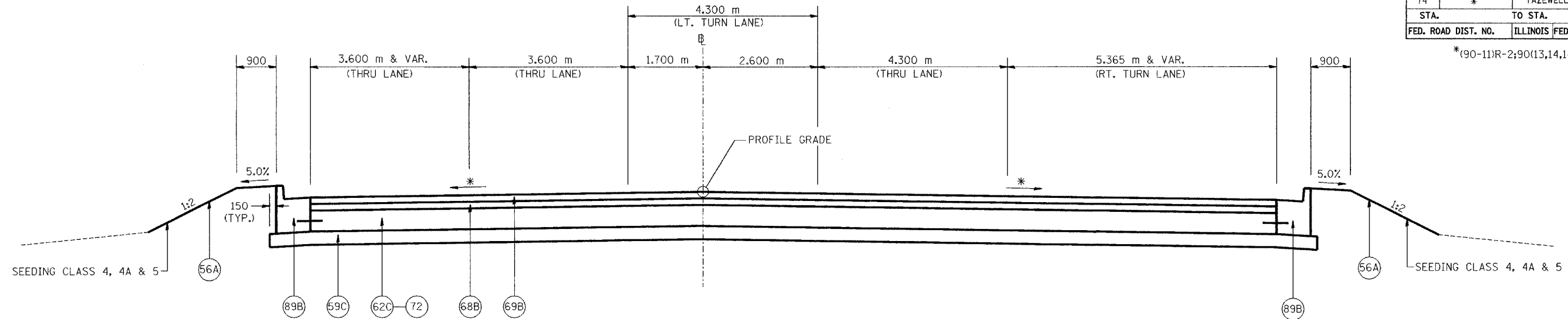
REVISIONS	
NAME	DATE

ILLINOIS DEPARTMENT OF TRANSPORTATION  
FAI ROUTE 74 (I-74)  
**PROPOSED TYPICAL SECTIONS**  
SIDE RD.  
BLACKJACK BLVD. - W. LEG  
DRAWN BY MLS  
CHECKED BY JJM  
DATE 12-20-04



F.A.I. RTE.	SECTION	COUNTY	TOTAL SHEETS	SHEET NO.
74	*	TAZEWELL	1366	89
STA. TO STA.		FED. ROAD DIST. NO. ILLINOIS FED. AID PROJECT		

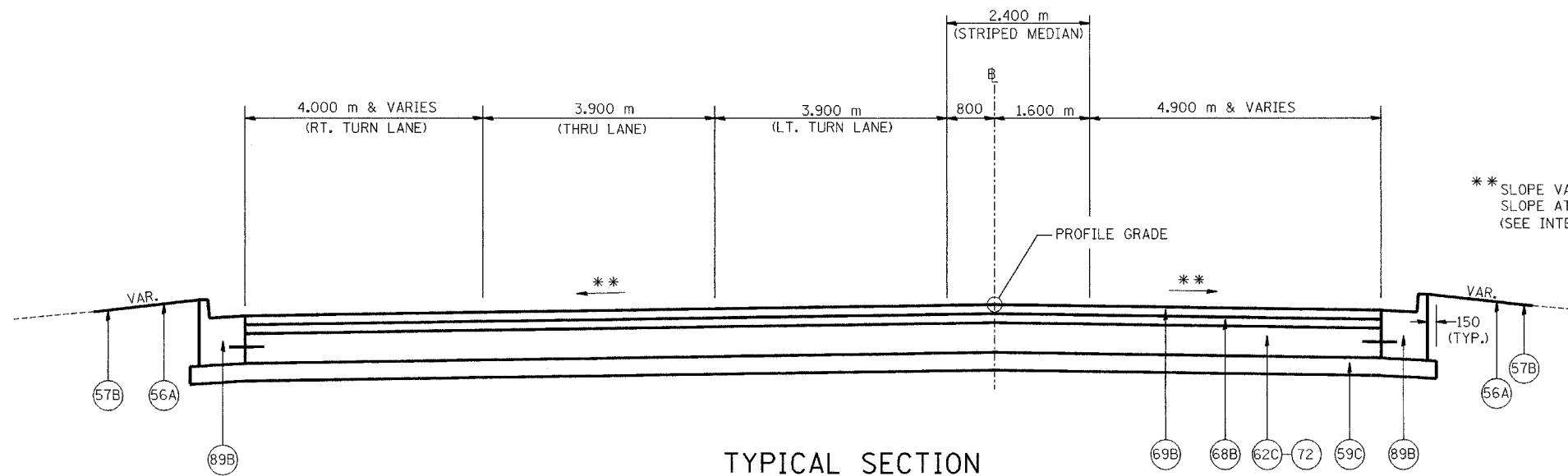
\*(90-11)R-2;90(13,14,14-1)R-1



**TYPICAL SECTION**

(BLACKJACK BLVD. - W. LEG)  
STA. 99+967.649 TO STA. 99+985.050

\* SLOPE VARIES (MATCH EXIST. PVMT.  
SLOPE AT STA. 99+967.649)  
(SEE INTERSECTION DETAILS)



**TYPICAL SECTION**

(BLACKJACK BLVD. - E. LEG)  
(LOOKING SOUTH)  
(STA. 100+013.850 TO 100+035.995)

\*\* SLOPE VARIES (MATCH EXIST. PVMT.  
SLOPE AT END OF PROP. PVMT.)  
(SEE INTERSECTION DETAILS)

NOTES: ALL DIMENSIONS ARE IN MILLIMETERS (mm)  
UNLESS OTHERWISE STATED.

**LEGEND**

- 56A PR FURNISH AND PLACE TOP SOIL 100 mm
- 57B PR SODDING, SALT TOLERANT
- 59B PR SUB-BASE GRANULAR MATERIAL, TYPE A 300 mm
- 59C PR SUB-BASE GRANULAR MATERIAL, TYPE B 150 mm
- 62C PR PORTLAND CEMENT CONCRETE BASE COURSE 250 mm
- 63B PR PORTLAND CEMENT CONCRETE BASE COURSE WIDENING 250 mm
- 64E PR BITUMINOUS BASE COURSE 250 mm
- 68B PR BITUMINOUS CONCRETE BINDER COURSE, SUPERPAVE, IL-19.0, N70, 50 mm
- 69B PR BITUMINOUS CONCRETE SURFACE COURSE, SUPERPAVE, MIX "D", N70, 38 mm
- 71D PR PORTLAND CEMENT CONCRETE PAVEMENT 250 mm (JOINTED)
- 72 PR PAVEMENT FABRIC
- 78 PR STRIP REFLECTIVE CRACK CONTROL TREATMENT
- 89A PR COMBINATION CONCRETE CURB AND GUTTER, TYPE B-15.30
- 89B PR COMBINATION CONCRETE CURB AND GUTTER, TYPE B-15.60
- 90A PR CONCRETE MEDIAN, TYPE SB-15.30
- 96A PR LONGITUDINAL CONSTRUCTION JOINT



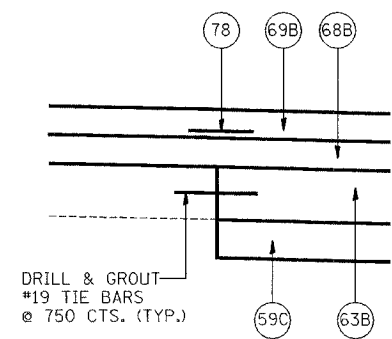
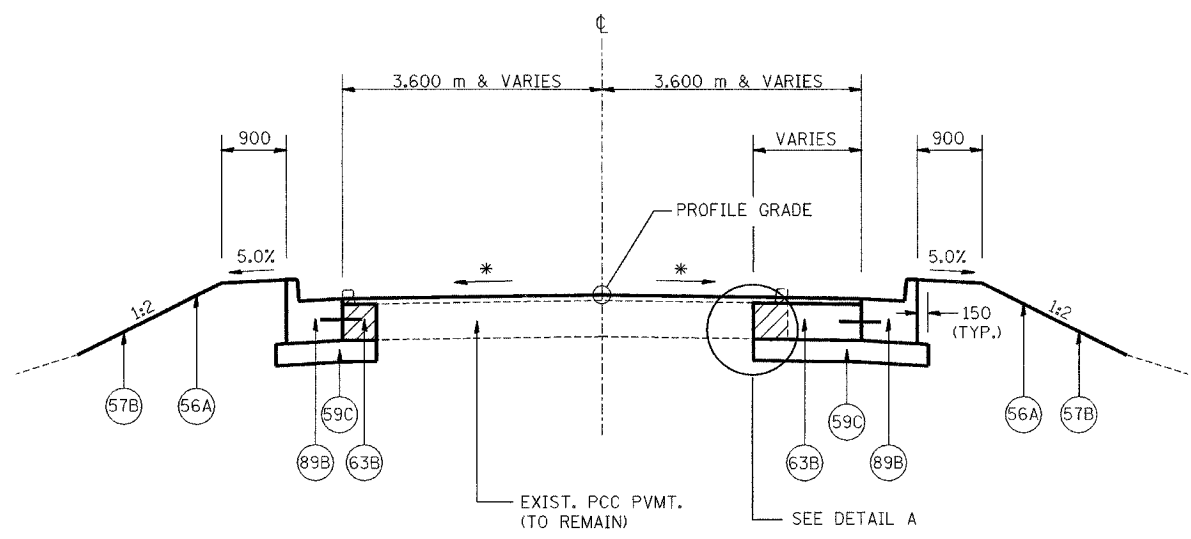
REVISIONS	
NAME	DATE

ILLINOIS DEPARTMENT OF TRANSPORTATION  
FAI ROUTE 74 (I-74)  
**PROPOSED TYPICAL SECTIONS**  
SIDE RD.  
BLACKJACK BLVD. W. LEG &  
BLACKJACK BLVD. E. LEG  
DRAWN BY MLS  
DATE 12-20-04  
CHECKED BY JJM

M:\E:\382\101111\101111.dwg 12/20/04 3:26:33

68201			
F.A.I. RTE.	SECTION	COUNTY	TOTAL SHEETS NO.
74	*	TAZEWELL	1366 90
STA.	TO STA.		
FED. ROAD DIST. NO.	ILLINOIS FED. AID PROJECT		

\*(90-11)R-2;90(13,14,14-1)R-1



**DETAIL A**  
(TYPICAL AT EDGE OF EXISTING REMAINING PAVEMENT)

INDICATES REMOVAL OF EXIST. CONC. C&G.

**TYPICAL SECTION**  
(FRONTAGE RD. @ BLACKJACK BLVD. - W. LEG)  
(STA. 10+008.900 TO 10+030.825)

\* MATCH EXIST. PVMT. SLOPE (±1.5%)

LEGEND			
56A	PR FURNISH AND PLACE TOP SOIL 100 mm	78	PR STRIP REFLECTIVE CRACK CONTROL TREATMENT
57B	PR SODDING, SALT TOLERANT	89A	PR COMBINATION CONCRETE CURB AND GUTTER, TYPE B-15.30
59B	PR SUB-BASE GRANULAR MATERIAL, TYPE A 300 mm	89B	PR COMBINATION CONCRETE CURB AND GUTTER, TYPE B-15.60
59C	PR SUB-BASE GRANULAR MATERIAL, TYPE B 150 mm	90A	PR CONCRETE MEDIAN, TYPE SB-15.30
62C	PR PORTLAND CEMENT CONCRETE BASE COURSE 250 mm	96A	PR LONGITUDINAL CONSTRUCTION JOINT
63B	PR PORTLAND CEMENT CONCRETE BASE COURSE WIDENING 250 mm		
64E	PR BITUMINOUS BASE COURSE 250 mm		
68B	PR BITUMINOUS CONCRETE BINDER COURSE, SUPERPAVE, IL-19.0, N70, 50 mm (MIN.)		
69B	PR BITUMINOUS CONCRETE SURFACE COURSE, SUPERPAVE, MIX "D", N70, 38 mm		
71D	PR PORTLAND CEMENT CONCRETE PAVEMENT 250 mm (JOINTED)		
72	PR PAVEMENT FABRIC		

NOTES: ALL DIMENSIONS ARE IN MILLIMETERS (mm) UNLESS OTHERWISE STATED.

SHEET 5 OF 5



REVISIONS	
NAME	DATE

ILLINOIS DEPARTMENT OF TRANSPORTATION  
FAI ROUTE 74 (I-74)  
**PROPOSED TYPICAL SECTIONS**  
SIDE RD.  
FRONTAGE RD. @ BLACKJACK BLVD.  
DRAWN BY MLS  
CHECKED BY JJM  
DATE 12-20-04

F.A.I. RTE.	SECTION	COUNTY	TOTAL SHEETS	SHEET NO.
74	90-10R-29003,14,14-10R-1	TAZEWELL	1366	71
STA.		TO STA.		
FED. ROAD DIST. NO.		ILLINOIS FED. AID PROJECT		

**EARTHWORK SCHEDULE**

LOCATION	1	2	3	4	5	6	7	8
	TOTAL EXCAVATION (CUT) <small>(COL 2 + COL 3+ COL 4)</small>	SPECIAL EXCAVATION	UNSUITABLE MATERIAL	EARTH EXCAVATION	EXCAVATION TO BE USED IN EMBANKMENT (ADJUSTED FOR SHRINKAGE) <small>(COL 4 x 0.75)</small>	EMBANKMENT (FILL)	EARTHWORK BALANCE WASTE (+) OR FURNISHED EXCAVATION (-) <small>(COL 5 - COL 6)</small>	TOPSOIL FURNISH AND PLACE 100 MM
	CU M	CU M	CU M	CU M	CU M	CU M	CU M	SQ M
<b>STAGE 3A</b>								
I-74 WB STA 152+444.837 TO STA 152+656.108	1,463	0	0	1,463	1,097	463	634	694
I-74 WB STA 152+714.598 TO STA 153+020.792	251	0	0	251	188	2,955	-2,767	570
I-74 WB STA 153+079.792 TO STA 153+168.000	93	0	0	93	70	49	21	0
I-74 WB STA 153+469.000 TO STA 153+499.000	155	0	0	155	116	268	-152	312
I-74 WB STA 153+741.674 TO STA 153+828.180	387	0	0	387	290	316	-26	892
RAMP J4 STA 10+230.000 TO STA 10+301.000	44	0	0	44	33	2,809	-2,776	1,170
RAMP K2 STA 10+635.511 TO STA 10+691.236	22	0	0	22	17	1,013	-977	177
<b>SUBTOTAL</b>	<b>2,415</b>	<b>0</b>	<b>0</b>	<b>2,415</b>	<b>1,811</b>	<b>7,873</b>	<b>-6,062</b>	<b>3,815</b>
<b>STAGE 3A-3</b>								
RAMP J4 STA 10+033.000 TO STA 10+066.000	1,156	0	0	1,156	867	43	824	1,257
RAMP K2 STA 10+635.511 TO STA 10+676.000	0	0	0	0	0	896	-896	805
<b>SUBTOTAL</b>	<b>1,156</b>	<b>0</b>	<b>0</b>	<b>1,156</b>	<b>867</b>	<b>939</b>	<b>-72</b>	<b>2,062</b>
<b>STAGE 3B</b>								
I-74 WB STA 153+079.792 TO STA 153+499.000	7,857	0	0	7,857	5,893	275	5,618	3,109
RAMP J3 STA 10+149.000 TO STA 10+351.000	17,250	0	1003	16,722	12,542	29	12,513	1,441
RAMP K2 STA 10+051.874 TO STA 10+423.029	2,979	0	102	2,877	2,158	2,875	-717	2,854
<b>SUBTOTAL</b>	<b>28,086</b>	<b>0</b>	<b>1105</b>	<b>27,456</b>	<b>20,592</b>	<b>3,179</b>	<b>17,413</b>	<b>7,404</b>
<b>STAGE 3C</b>								
I-74 WB STA 152+723.598 TO STA 152+975.000	483	0	0	483	362	1,138	-776	1,825
RAMP J4 STA 10+064.000 TO STA 10+301.000	19,960	0	0	19,960	14,970	470	14,500	5,427
<b>SUBTOTAL</b>	<b>20,443</b>	<b>0</b>	<b>0</b>	<b>20,443</b>	<b>15,332</b>	<b>1,608</b>	<b>13,724</b>	<b>7,252</b>
<b>WB I-74 &amp; RAMPS TOTAL</b>	<b>52,100</b>	<b>0</b>	<b>1105</b>	<b>51,470</b>	<b>38,602</b>	<b>13,599</b>	<b>25,003</b>	<b>20,533</b>

\*NOT A TOTAL QUANTITY  
(FOR TOTAL QUANTITY ADD  
SIMILAR PAY ITEMS)

EARTH EXCAVATION SHRINKAGE FACTOR = 25%

DESCRIPTION	QUANTITIES	CROSS SECTION LEGEND			
		STAGE 3A	STAGE 3A-3	STAGE 3B	STAGE 3C
EARTH EXCAVATION	* 51,470 CU M	E3A-1	E3A-3	E3B	E3C
TOPSOIL FURNISH AND PLACE, 100 mm	* 20,533 SQ M	T3A-1	T3A-3	T3B	T3C
REMOVAL AND DISPOSAL OF UNSUITABLE MATERIAL	* 1105 CU M	U3A-1	U3A-3	U3B	U3C

REVISIONS	
NAME	DATE



ILLINOIS DEPARTMENT OF TRANSPORTATION  
**SCHEDULE OF QUANTITIES**  
**I-74 WB**  
**RAMPS J-3 & J-4**  
 DRAWN BY CW  
 CHECKED BY JJM  
 DATE 12-20-04

F.A.I. RTE.	SECTION	COUNTY	TOTAL SHEETS	SHEET NO.
74	80-DR-2903(14)-DR-1	TAZEWELL	1366	72
STA.		TO STA.		
FED. ROAD DIST. NO. 4		ILLINOIS FED. AID PROJECT		

**GUARDRAIL REMOVAL**

LOCATION	GUARDRAIL REMOVAL (METER)
<b>STATION TO STATION</b>	
<b>MAINLINE (I-74 WB)</b>	
152+716.6 TO 152+767.5 LT	51
152+911.7 TO 153+026.9 LT	115
153+070.5 TO 153+080.3 LT	10
153+445.7 TO 153+503.7 LT	58
153+742.0 TO 153+825.2 RT	83
153+747.2 TO 153+825.2 LT	78
<b>RAMP 18</b>	
0+109.0 TO 0+329.2 RT	220
<b>RAMP 20</b>	
6+123.0 TO 6+211.3 RT	88
<b>TOTAL</b>	<b>* 703</b>

**TREE REMOVAL**

LOCATION	OVER 15 (UNIT)	AREA (HA)
<b>MAINLINE (I-74 WB)</b>		
153+751.2, 23.5M LT	20	
153+755.5, 34.8M LT	30	
153+773.7, 26.6M LT	18	
153+784.5, 28.2M LT	26	
152+712.0 TO 152+810.0 LT		0.24
153+140.0 TO 153+300.0 LT		0.22
153+300.0 TO 153+473.0 LT		0.26
<b>TOTAL</b>	<b>* 94</b>	<b>* 0.72</b>

**PAVEMENT AND SHOULDER REMOVAL**

LOCATION	THICKNESS (APPROX.)	PAVEMENT REMOVAL (SQ M)	PAVED SHOULDER REMOVAL		PAVED DITCH REMOVAL (METER)
			BIT (SQ M)	PCC (SQ M)	
<b>STATION TO STATION</b>					
<b>MAINLINE (I-74 WB)</b>					
152+444.287 TO 152+445.837 LT	250	22			
152+445.837 TO 152+657.800 LT		1514			
152+445.800 TO 152+645.000 LT			250		1331
152+445.800 TO 152+657.800 LT			250	282	
152+645.000 TO 152+657.800 LT			250	14	
152+712.900 TO 153+000.000 LT	250	2545			
152+712.900 TO 152+767.900 LT			250	92	
152+767.500 TO 152+920.500 LT			250	503	
152+712.900 TO 153+000.000 LT			250	344	
152+921.400 TO 153+000.000 LT			250	152	
153+000.000 TO 153+027.800 LT	250	304	250	69	
153+071.300 TO 153+300.000 LT	250	2118			
153+071.300 TO 153+300.000 LT			250		747
153+077.400 TO 153+181.800 LT			250		362
153+182.400 TO 153+300.000 LT			250		608
153+300.000 TO 153+369.600 LT			250		253
153+300.000 TO 153+500.800 LT			250		450
153+300.000 TO 153+500.800 LT	250	1726			
153+369.200 TO 153+500.800 LT			250		326
153+470.000 TO 153+580.000 LT					125
153+744.600 TO 153+825.200 LT	250	699			
153+744.600 TO 153+825.200 LT			250	269	
<b>RAMP 18</b>					
0+109.000 TO 0+329.200 LT	250	917			
0+109.000 TO 0+329.200 RT			250	391	
0+200.600 TO 0+300.800 LT			250	142	
<b>RAMP 19</b>					
5+004.600 TO 5+130.000 LT	250	670			
5+004.600 TO 5+130.000 RT			250	240	
<b>RAMP 20</b>					
6+123.000 TO 6+211.300 LT	250	393			
6+123.000 TO 6+211.300 RT			250	175	
6+187.100 TO 6+198.100 LT			250	13	
<b>RAMP 21</b>					
7+367.000 TO 7+399.000 LT			250	58	
7+367.000 TO 7+464.400 RT	250	424			
7+367.000 TO 7+471.000 LT					104
7+399.000 TO 7+464.400 LT			250		126
7+394.800 TO 7+441.900 RT			250		58
<b>RAMP 23</b>					
1+052.900 TO 1+281.400 LT	250	956			
1+065.800 TO 1+250.000 LT			250	273	
1+171.700 TO 1+284.400 RT			250	206	
1+184.800 TO 1+194.100 RT					25
<b>SUBTOTAL</b>			<b>3223</b>	<b>4261</b>	
<b>TOTAL</b>		<b>12288</b>		<b>7484</b>	<b>* 254</b>

**CURB AND GUTTER REMOVAL**

LOCATION	CURB REMOVAL (METER)	COMBINATION CURB & GUTTER REMOVAL (METER)
<b>RAMP 18</b>		
0+109.0 TO 0+200.6 LT	92	
<b>RAMP 19</b>		
5+030.3 TO 5+130.0 LT	100	
<b>RAMP 20</b>		
6+123.0 TO 6+188.5 LT	66	
<b>RAMP 21</b>		
7+367.0 TO 7+394.8 RT	28	
<b>RAMP 23</b>		
1+052.9 TO 1+066.4 LT	14	
1+052.9 TO 1+171.7 RT		119
<b>TOTAL</b>	<b>300</b>	<b>119</b>

**MISC. REMOVAL**

LOCATION	CONCRETE BARRIER REMOVAL (METER)	CHAIN LINK FENCE REMOVAL (METER)
<b>STATION</b>		
<b>MAINLINE (I-74 WB)</b>		
152+657.7 LT		32
152+712.9 LT		32
153+177.3 TO 153+244.0	67	
153+749.8 TO 153+822.9 LT		73
<b>TOTAL</b>	<b>67</b>	<b>* 137</b>

THICKNESSES SHOWN ABOVE ARE APPROXIMATE AS NOTED. VARIANCES IN THICKNESS SHALL NOT BE PAID FOR SEPARATELY BUT INCLUDED IN THE COST OF THE PAY ITEM.

\*NOT A TOTAL QUANTITY (FOR TOTAL QUANTITY ADD SIMILAR PAY ITEMS)

DATE: 04/24/04 TIME: 11:15 AM HERE SIZE IS LARGE ENOUGH FOR LONG FILE NAMES



REVISIONS	
NAME	DATE

ILLINOIS DEPARTMENT OF TRANSPORTATION  
**SCHEDULE OF QUANTITIES**  
**I-74 WB**  
**RAMPS J-3 & J-4**  
 DRAWN BY CGF  
 CHECKED BY RLS  
 DATE 12-20-04

F.A.I. RTE.	SECTION	COUNTY	TOTAL SHEETS	SHEET NO.
74	60-10R-29013,14,1-1R-1	TAZEWELL	1366	73
STA.		TO STA.		

**INTERSTATE PAVING SCHEDULE**

LOCATION	GEOTECHNICAL FABRIC FOR STABILIZATION (SQ M)	BITUMINOUS MATERIALS (PRIME COAT) (LITER)	CONT REIN PCC PAVT 290 MM (SQ M)	PAVEMENT REINFORCEMENT 290 MM (SQ M)	PCC PAVT JOINTED 250MM (SQ M)	BRIDGE APPROACH PAVT (SQ M)	BRIDGE APPROACH PAVT (SPECIAL) (SQ M)	PROTECTIVE COAT (SQ M)	AGG SHDRS TYPE B (M TON)	PCC SHDRS 250MM (SQ M)	PCC SHDRS 290 MM (SQ M)	AGGREGATE SUB-BASE 300 MM (M TON)	WHITEWASH (SQ M)	BITUMINOUS CONCRETE BINDER COURSE, SUPERPAVE IL -19.0L (LOW ESAL) 150MM (M TON)	BITUMINOUS CONCRETE BINDER COURSE, SUPERPAVE IL -19.0L (LOW ESAL) 100 MM (M TON)
<b>MAINLINE</b>															
152+272.200 TO 152+445.837			22	22				493							
152+445.837 TO 152+700.000	2322	4348	2174	2174		97		2419			148	1693	2322	833	
152+700.000 TO 153+000.000	2978	4692	1990	1990		124		3079	52		965	2920	4006	1438	
153+000.000 TO 153+300.000	2707	5144	1820	1820			218	3661	157		752	1876	2578	924	
153+300.000 TO 153+600.000	2058	4554	2035	2035		129		3087			226	2138	2933	1053	
153+600.000 TO 153+892.180	1033	1844	659	659		129	137	1299			232	746	992	358	
<b>RAMP J-3</b>															
10+000.000 TO 10+129.000	1038	1822	322	322	270			1227		115	334	281	386		92
10+129.000 TO 10+350.000	2703	4504			1310			2607	122	1009		1917	2509		600
<b>RAMP J-4</b>															
10+065.000 TO 10+345.000	2945	5230			1258	84		3182	50	1118		2091	2727		652
10+345.000 TO 10+600.000	1792	3386	1133	1133		91		2211			499	1274	1657	600	
<b>RAMP K-2</b>															
10+052.874 TO 10+352.500	2930	5262			1468			3488	212	1205		1955	2665		643
10+352.500 TO 10+653.500	509	1100			344	73	84	1161	10	169		419	560		134
10+653.500 TO 10+954.000	2592	4220	665	665				1854	33	424	389	1045	1375		329
<b>SUBTOTALS</b>															
<b>TOTALS</b>	<b>25607</b>	<b>46106</b>	<b>10820</b>	<b>10820</b>	<b>* 4650</b>	<b>727</b>	<b>439</b>	<b>* 29768</b>	<b>* 636</b>	<b>* 4040</b>	<b>3545</b>	<b>* 18355</b>	<b>24710</b>	<b>5206</b>	<b>* 2450</b>
															<b>* 7656</b>

**TRAFFIC BARRIER SCHEDULE**

LOCATION	BARRIER WALL MARKERS (EACH)	STEEL PLATE BEAM GUARDRAIL TYPE A (METER)	DELINEATORS (EACH)	CONCRETE BARRIER DOUBLE FACE (MODIFIED) (METER)	CONCRETE BARRIER SINGLE FACE (MODIFIED) (METER)	CONCRETE BARRIER TRANSITION (MODIFIED) (METER)
<b>MAINLINE</b>						
152+272.200 TO 152+445.837 RT	16			173.6		
152+969.330 TO 153+011.792 LT			2		137.4	
153+087.555 TO 153+225.000 LT	7					
153+089.194 TO 153+300.000 RT	18			210.9		
153+202.437 TO 153+283.550 LT			2			
153+300.000 TO 153+403.242 RT	10			103.2		
153+403.242 TO 153+407.992 RT						4.75
153+411.992 TO 153+416.742 RT						4.75
153+416.742 TO 153+494.454 RT	8			77.7		
153+428.942 TO 153+501.477 LT	4				72.5	
153+752.616 TO 153+819.180 LT	4				66.6	
<b>RAMP J-3</b>						
10+000.105 TO 10+129.360 RT	6				129.4	
10+129.360 TO 10+250.000 RT	5				120.6	
10+145.073 TO 10+235.516 LT			3			
10+235.516 TO 10+314.519 LT	4				79.0	
10+271.505 TO 10+350.000 RT			3			
<b>RAMP J-4</b>						
10+065.000 TO 10+119.597 RT			2			
10+065.000 TO 10+322.209 LT			9			
10+119.600 TO 10+330.696 RT	9				211.1	
10+389.309 TO 10+600.000 RT	9				210.1	
<b>RAMP K-2</b>						
10+052.874 TO 10+064.344 RT		11.43				
10+052.874 TO 10+101.030 LT			2			
10+052.874 TO 10+352.500 RT			10			
10+101.030 TO 10+261.093 LT	7				160.1	
10+352.500 TO 10+413.450 RT			2			
10+370.000 TO 10+413.450 RT	4				43.4	
10+639.185 TO 10+653.500 RT					14.3	
10+653.500 TO 10+780.519 RT	6				127.0	
10+644.360 TO 10+684.984 LT			2			
10+780.519 TO 10+930.000 RT			5			
<b>TOTAL</b>	<b>117</b>	<b>* 11.43</b>	<b>42</b>	<b>565.4</b>	<b>1371.5</b>	<b>10</b>

\*NOT A TOTAL QUANTITY (FOR TOTAL QUANTITY ADD SIMILAR PAY ITEMS)

REVISIONS		ILLINOIS DEPARTMENT OF TRANSPORTATION SCHEDULE OF QUANTITIES I-74 WB RAMPS J-3 & J-4
NAME	DATE	
		DRAWN BY CCF CHECKED BY RLS DATE 12-20-04



DATE: 12/20/04 TIME: 10:56 AM  
 SDRN FILE NAME GOES HERE SIZE IS LARGE ENOUGH FOR LONG FILE NAMES

F.A.I. RTE.	SECTION	COUNTY	TOTAL SHEETS	SHEET NO.
74	190-1R-29013,14,14-1R-1	TAZEWELL	1366	94
STA. TO STA.		FED. ROAD DIST. NO. 4 ILLINOIS FED. AID PROJECT		

**TRAFFIC PROTECTION SCHEDULE**

LOCATION	TRAFFIC BARRIER TERMINAL TYPE 2 (EACH)	TERMINAL MARKERS - DIRECT APPLIED (EACH)	IMPACT ATTENUATORS (FULLY REDIRECTIVE, NARROW) TEST LEVEL 2 (EACH)	IMPACT ATTENUATORS (FULLY REDIRECTIVE, NARROW) TEST LEVEL 3 (EACH)
MAINLINE 153+202.437 LT		1		1
RAMP J-3 10+235.516 LT		1		1
RAMP J-4 10+119.600 RT		1		1
RAMP K-2 10+064.344 RT 10+101.030 LT 10+370.000 RT	1	1	1	
<b>TOTAL</b>	<b>* 1</b>	<b>5</b>	<b>2</b>	<b>3</b>

**CURB AND GUTTER SCHEDULE**

LOCATION	CLASS SI CONC OUTLET (CU M)	CONCRETE GUTTER TYPE A (METER)	CONCRETE GUTTER TYPE A (MODIFIED) (METER)	CONCRETE CURB & GUTTER B-15.45 (METER)
RAMP J-3 10+145.073 TO 10+235.516 LT 10+250.000 TO 10+275.000 RT STA. 10+275.000 RT	2.7		90.4 25.0	
RAMP J-4 10+065.000 TO 10+322.209 LT			257.2	
RAMP K-2 10+052.874 TO 10+085.874 10+085.874 TO 10+178.600 RT 10+344.000 TO 10+378.450 RT 10+378.450 TO 10+507.550 RT		139.6	92.7 34.4	33.0
<b>TOTAL</b>	<b>* 2.7</b>	<b>* 139.6</b>	<b>499.7</b>	<b>33.0</b>

**DUST CONTROL**

LOCATION	STREET SWEEPING (HOUR)	APPLY DUST SUPPRESSION AGENTS (UNIT)	SOIL STABILIZER (KG)	DUST CONTROL PADS (EACH)
MAINLINE 152+445.837 TO 152+700.000 152+700.000 TO 153+000.000 153+000.000 TO 153+300.000 153+300.000 TO 153+600.000 153+600.000 TO 153+892.180	52	70	1350	4
RAMP J-3	49	69	1350	4
RAMP J-4	49	68	4500	4
RAMP K-2 10+052.874 TO 10+352.500 10+352.500 TO 10+654	52	70	1350	4
<b>TOTAL</b>	<b>* 462</b>	<b>* 627</b>	<b>* 13500</b>	<b>* 36</b>

**CONCRETE SHALE CAP SCHEDULE**

LOCATION	CLASS SI CONCRETE SPECIAL (CU M)
RAMP J-3 STA. 10+175 TO 10+350	154.2
<b>TOTAL</b>	<b>154.2</b>

ESTIMATED LIMITS WHERE SHALE MAY BE ENCOUNTERED PER GEOTECHNICAL SOILS REPORT

\* NOT A TOTAL QUANTITY (FOR TOTAL QUANTITY ADD

**CHAIN LINK FENCE SCHEDULE**

STATION	TO	STATION	CHAIN LINK FENCE 1.2 METER (METER)
MAINLINE 153+750.100, 14.3M LT	TO	153+827.930, 14.3M LT	121.0
RAMP J-4 10+332.000, 25.3M RT	TO	10+332.580, 3.9M RT	21.4
10+387.110, 25.2M RT	TO	10+387.820, 3.9M RT	21.3
<b>TOTAL</b>			<b>* 163.7</b>

REVISIONS	
NAME	DATE

ILLINOIS DEPARTMENT OF TRANSPORTATION  
**SCHEDULE OF QUANTITIES**  
 I-74 WB  
 RAMPS J-3 & J-4



DATE 12-20-04  
 DRAWN BY CGF  
 CHECKED BY RLS

No. 01, SEC. 3, P. 002/22/21, ufp, qms-101114, 1/28/04, 1/28/04

DATE: DATE-A-TIME HERE, TIME HERE\$  
 \$DGN FILE NAME GOES HERE-SIZE IS LARGE ENOUGH FOR LONG FILE NAMES

**PAVEMENT MARKING SCHEDULE**

68201

F.A.I. RTE.	SECTION	COUNTY	TOTAL SHEETS	SHEET NO.
74	190-10R-22003,14,14-10R-1	TAZEWELL	1366	95
STA.		TO STA.		
FED. ROAD DIST. NO. 4		ILLINOIS FED. AID PROJECT		

LOCATION EASTBOUND	TYPE	POLYUREA LINE 100MM		POLYUREA LINE 150MM WHITE (METER)	POLYUREA LINE 200MM WHITE (METER)	POLYUREA LINE 300MM WHITE (METER)	RAISED REFLECTIVE PAVEMENT MARKER (EACH)
		WHITE (METER)	YELLOW (METER)				
<b>MAINLINE EASTBOUND</b>							
151+620.154 TO 151+850.000	SKIP-DASH SOLID	230	230	84			15
	DOTTED				30		
151+850.000 TO 152+150.000	SKIP-DASH SOLID	183	300	171	118		41
152+150.000 TO 152+445.837	SKIP-DASH SOLID	296	296	216			36
152+445.837 TO 152+700.000	SKIP-DASH SOLID		254	132	163		37
152+700.000 TO 153+000.000	SKIP-DASH SOLID	57	300	150	173		44
	DOTTED				16		
153+000.000 TO 153+300.000	SKIP-DASH SOLID	295	300	93	5		23
	DOTTED				40		
153+300.000 TO 153+600.000	SKIP-DASH SOLID		300	75	300		35
153+600.000 TO 153+892.180	SKIP-DASH SOLID	247	292	132	45		30
	DOTTED				12		
<b>RAMP J-1</b>							
10+068.624 TO 10+231.824	SKIP-DASH SOLID			58	163		23
	DIAGONALS					68	
10+231.824 TO 10+255.242	SOLID				24		
	DIAGONALS					22	
<b>RAMP K-1</b>							
10+068.808 TO 10+161.937	SOLID				93		8
	DIAGONALS					29	
<b>RAMP J-2</b>							
10+242.470 TO 10+248.000	SOLID				5		
	DIAGONALS					7	
10+248.000 TO 10+530.853	SOLID				280		23
	DIAGONALS					100	
<b>WESTBOUND</b>							
<b>MAINLINE</b>							
152+150.000 TO 152+445.837	SKIP-DASH SOLID	203	296	181	90		37
152+445.837 TO 152+700.000	SKIP-DASH SOLID	65	254	143	189		39
152+700.000 TO 153+000.000	SKIP-DASH SOLID	155	300	84	260		34
153+000.000 TO 153+300.000	SKIP-DASH SOLID	284	300	72	16		23
	DOTTED				33		
153+300.000 TO 153+600.000	SKIP-DASH SOLID	246	300	138	54		39
	DOTTED				30		
153+600.000 TO 153+892.180	SKIP-DASH SOLID	257	292	117	100		28
<b>RAMP H-3</b>							
10+000.000 TO 10+161.620	SKIP-DASH SOLID	162		41	90		14
	DIAGONALS					24	
<b>RAMP J-4</b>							
10+065.000 TO 10+345.000	SOLID	280	257		24		2
10+345.000 TO 10+534.716	SOLID	190			190		16
<b>RAMP K-2</b>							
10+052.874 TO 10+352.500	SOLID	300	300				
10+352.500 TO 10+653.500	SOLID	301	301				
10+653.500 TO 10+848.862	SOLID	146	31		164		13
<b>RAMP J-3</b>							
10+074.856 TO 10+129.000	SOLID	54			54		14
	DIAGONALS					20	
10+129.000 TO 10+350.000	SKIP-DASH SOLID	221	205	9	16		
	DIAGONALS					16	
<b>RAMP L-4</b>							
	SOLID	35			35		3
<b>SUBTOTAL TOTAL</b>		<b>4207</b>	<b>5108</b>	<b>1896</b>	<b>*2812</b>	<b>286</b>	<b>577</b>
		<b>*9315</b>					

\*NOT A TOTAL QUANTITY (FOR TOTAL QUANTITY ADD SIMILAR PAY ITEMS)

DATE: DATE/TIME HERE: TIME HERE: \$0.00 FILE NAME GOES HERE: SIZE IS LARGE ENOUGH FOR LONG FILE NAMES

REVISIONS		ILLINOIS DEPARTMENT OF TRANSPORTATION SCHEDULE OF QUANTITIES I-74 WB RAMPS J-3 & J-4 DRAWN BY CGF CHECKED BY RLS DATE 12-20-04
NAME	DATE	



F.A.I. RTE.	SECTION	COUNTY	TOTAL SHEETS	SHEET NO.
	*	TAZEWELL	1366	96
STA.		TO STA.		
FED. ROAD DIST. NO.		ILLINOIS FED. AID PROJECT		

**EARTHWORK SCHEDULE**

LOCATION	1 TOTAL EXCAVATION (CUT) <small>(COL 2 + COL 3+ COL 4)</small> CU M	2 SPECIAL EXCAVATION CU M	3 UNSUITABLE MATERIAL CU M	4 EARTH EXCAVATION CU M	5 EXCAVATION TO BE USED IN EMBANKMENT (ADJUSTED FOR SHRINKAGE) <small>(COL 2 or 4 x 0.75)</small> CU M	6 EMBANKMENT (FILL) CU M	7 EARTHWORK BALANCE WASTE (+) OR FURNISHED EXCAVATION (-) <small>(COL 5 - COL 6)</small> CU M	8 TOPSOIL FURNISH AND PLACE 100 MM SQ M
<b>STAGE 3A-2</b>								
MAIN STREET STA 2+402 TO STA 2+800	2,245	2,245	0	0	1,684	631	1,053	2,607
MAIN STREET STA 2+800 TO STA 4+157	3,786	3,496	290	0	2,622	2,949	-327	8,029
<b>SUBTOTAL</b>	<b>6,031</b>	<b>5,741</b>	<b>290</b>	<b>0</b>	<b>4,306</b>	<b>3,580</b>	<b>726</b>	<b>10,636</b>
<b>STAGE 3A-3</b>								
MAIN STREET STA 2+402 TO STA 2+800	2,886	2,886	0	0	2,165	2,035	130	3,149
MAIN STREET STA 2+800 TO STA 4+157	2,677	2,404	273	0	1,803	5,170	-3,367	9,499
<b>SUBTOTAL</b>	<b>5,563</b>	<b>5,290</b>	<b>273</b>	<b>0</b>	<b>3,968</b>	<b>7,205</b>	<b>-3,237</b>	<b>12,648</b>
<b>STAGE 3A-4</b>								
MAIN STREET STA 2+402 TO STA 2+800	439	439	0	0	329	832	-503	0
MAIN STREET STA 2+800 TO STA 4+157	0	0	0	0	0	19	-19	0
<b>SUBTOTAL</b>	<b>439</b>	<b>439</b>	<b>0</b>	<b>0</b>	<b>329</b>	<b>851</b>	<b>-522</b>	<b>0</b>
<b>STAGE 3B</b>								
EXISTING RAMP 20 & 21 GRADING STA 800+000 TO STA 800+120	713	0	0	713	535	902	-367	3,062
<b>SUBTOTAL</b>	<b>713</b>	<b>0</b>	<b>0</b>	<b>713</b>	<b>535</b>	<b>902</b>	<b>-367</b>	<b>3,062</b>
<b>TOTAL</b>	<b>12,746</b>	<b>11,470</b>	<b>563</b>	<b>713</b>	<b>9,137</b>	<b>12,538</b>	<b>-3400</b>	<b>26,346</b>

\*(90-11)R-2;90(13,14,14-1)R-1

EARTH EXCAVATION SHRINKAGE FACTOR = 25%

DESCRIPTION	QUANTITIES	CROSS SECTION LEGEND			
		STAGE 3A-2	STAGE 3A-3	STAGE 3A-4	STAGE 3B
SPECIAL EXCAVATION	11,470 CU M	S3A2	S3A3	S3A4	S3B
REMOVAL AND DISPOSAL OF UNSUITABLE MATERIAL	* 563 CU M	U3A2	U3A3	U3A4	U3B
EARTH EXCAVATION	* 713 CU M	E3A2	E3A3	E3A4	E3B
FURNISHED EXCAVATION	3,400 CU M	F3A2	F3A3	F3A4	F3B
TOPSOIL FURNISH AND PLACE, 100 mm	* 26,346 SQ M	T3A2	T3A3	T3A4	T3B

\* NOT A TOTAL QUANTITY (FOR TOTAL QUANTITY ADD SIMILAR PAY ITEMS)

REVISIONS	
NAME	DATE



ILLINOIS DEPARTMENT OF TRANSPORTATION  
FAI ROUTE 74 (I-74)  
**SCHEDULE OF QUANTITIES**  
MAIN STREET  
RAMPS J-3 & J-4  
DRAWN BY SRS  
CHECKED BY JJM  
DATE 12-20-04



F.A.I. RTE.	SECTION	COUNTY	TOTAL SHEETS	SHEET NO.
74	*	TAZEWELL	1366	97
STA.		TO STA.		
FED. ROAD DIST. NO.		ILLINOIS FED. AID PROJECT		

\*(90-11R-2;90(13,14,14-1R-1

**PAVEMENT REMOVAL**

LOCATION	( SO M ) ( DEPTH = ±325mm)
<b>MAIN STREET</b>	
STA 2+402.933 TO 2+450.000	1144
STA 2+450.000 TO 2+600.000	3291
STA 0+048 TO 0+109 (RAMP 18)	280
STA 5+130 TO 5+199 (RAMP 19)	261
STA 6+012 TO 6+055 (RAMP 20)	642
STA 7+232 TO 7+281 (RAMP 21)	591
STA 2+600.000 TO 2+750.000	3027
STA 2+750.000 TO 2+800.000	1089
RT STA 2+864.000 TO 2+900.000	17
RT STA 2+900.000 TO 2+930.000	19
<b>SIDERoadS</b>	
ALTORFER ROAD AND FRONTAGE ROAD	1071
NATIONAL STREET	595
CATERPILLAR TRAIL	190
BLACKJACK BLVD (WEST LEG)	611
BLACKJACK BLVD (EAST LEG)	572
<b>TOTAL</b>	<b>** 13400</b>

**DRIVEWAY PAVEMENT REMOVAL**

LOCATION	( SO M ) ( DEPTH = ±200mm)
<b>MAIN STREET</b>	
CE RT STA 2+664.751	133
CE RT STA 2+705.459	87
CE RT STA 2+738.536	45
PE RT STA 3+993.559	67
PE RT STA 4+073.830	84
PE RT STA 4+119.318	36
<b>TOTAL</b>	<b>** 452</b>

**MISCELLANEOUS REMOVAL SCHEDULE**

LOCATION	SIDEWALK ( SO M ) ( DEPTH = ±100mm)	ISLAND ( SO M ) ( DEPTH = ±625mm)	MEDIAN ( SO M ) ( DEPTH = ±625mm)	GUARD RAIL ( METER )
<b>MAIN STREET</b>				
RT STA 2+440.200 TO 2+450.000	10			
STA 2+402.933 TO 2+415.933				38
LT STA 5+130.000 TO 5+138.000 (RAMP 19)				14
RT STA 7+295.000 TO 7+367.000 (RAMP 21)				55
STA 2+556.000 TO 2+600.000				108
RT STA 2+450.000 TO 2+520.000	78			
RT STA 0+109.000 (RAMP 18) TO 2+600.000				119
RT STA 6+099.000 TO 6+123.000 (RAMP 20)				24
STA 2+600.000 TO 2+618.410				48
LT STA 2+600.000 TO 2+654.000				54
LT STA 2+690.000		22		
RT STA 2+789.000	5			
RT STA 2+852.000	9			
LT STA 2+930.000		14		
RT STA 3+737.000		42		
RT STA 3+750.300 TO 3+792.600				42
<b>BLACKJACK BLVD</b>				
STA 99+909.000 TO 99+939.000				56
<b>TOTALS</b>	<b>** 102</b>	<b>** 78</b>	<b>** 319</b>	<b>* 239</b>

**PAVED SHOULDER REMOVAL**

LOCATION	TYPE	( SO M ) ( DEPTH = ±250mm)
<b>MAIN STREET</b>		
LT STA 5+130.000 TO 5+191.000 (RAMP 19)	BIT	115
RT STA 0+056.000 TO 0+109.000 (RAMP 18)	BIT	94
LT STA 0+056.000 (RAMP 18) TO 2+600.000	CONC	137
RT STA 2+520.000 TO 6+055.000 (RAMP 20)	BIT	127
RT STA 2+533.000 TO 7+257.000 (RAMP 21)	BIT	182
LT STA 6+055.000 TO 6+123.000 (RAMP 20)	BIT	143
RT STA 7+281.000 (RAMP 21) TO 2+600.000	BIT	95
RT STA 7+281.000 TO 7+367.000 (RAMP 21)	BIT	171
LT STA 2+600.000 TO 2+675.000	CONC	146
RT STA 2+600.000 TO 2+700.000	BIT	289
LT STA 399+965.000 (ALTORFER ST) TO 2+750.000	BIT	32
RT STA 2+711.000 TO 2+750.000	BIT	117
LT STA 2+750.000 TO 2+807.000	BIT	84
LT STA 2+807.000 TO 2+900.000	CONC	182
RT STA 2+750.000 TO 2+900.000	BIT	308
LT STA 2+900.000 TO 2+908.000	CONC	23
RT STA 2+900.000 TO 2+938.000	BIT	34
RT STA 2+951.000 TO 3+050.000	BIT	308
LT STA 2+965.000 TO 3+050.000	CONC	122
LT STA 3+050.000 TO 3+200.000	CONC	325
RT STA 3+050.000 TO 3+160.000	BIT	311
RT STA 3+160.000 TO 3+200.000	CONC	94
LT STA 3+200.000 TO 3+350.000	CONC	375
RT STA 3+200.000 TO 3+350.000	CONC	365
LT STA 3+350.000 TO 3+500.000	CONC	364
RT STA 3+350.000 TO 3+500.000	CONC	346
LT STA 3+500.000 TO 3+650.000	CONC	357
RT STA 3+500.000 TO 3+650.000	BIT	391
LT STA 3+650.000 TO 3+693.000	CONC	97
RT STA 3+650.000 TO 3+717.000	BIT	93
LT STA 3+750.000 TO 3+800.000	CONC	73
RT STA 3+752.000 TO 3+800.000	BIT	139
RT STA 100+025.000 TO 100+036.000 (BLACKJACK BLVD)	BIT	33
LT STA 100+027.000 TO 100+036.000 (BLACKJACK BLVD)	BIT	18
LT STA 3+800.000 TO 3+950.000	CONC	297
RT STA 3+800.000 TO 3+950.000	BIT	438
LT STA 3+950.000 TO 4+100.000	CONC	354
RT STA 3+950.000 TO 4+100.000	BIT	359
STA 4+013.000 TO 4+100.000	BIT	117
LT STA 4+100.000 TO 4+157.000	CONC	131
RT STA 4+100.000 TO 4+157.000	BIT	140
STA 4+100.000 TO 4+162.000	BIT	156
<b>TOTAL</b>		<b>** 8082</b>

**BITUMINOUS SURFACE REMOVAL**

LOCATION	25mm ( SO M )	50mm ( SO M )
<b>MAIN STREET</b>		
STA 2+800.000 TO 2+900.000	2108	
STA 2+900.000 TO 3+050.000	3301	
STA 3+050.000 TO 3+200.000	2616	
STA 3+200.000 TO 3+350.000	2385	
STA 3+350.000 TO 3+500.000	2407	
STA 3+500.000 TO 3+650.000	2713	
STA 3+650.000 TO 3+800.000	3468	
STA 3+800.000 TO 3+950.000	2788	
STA 3+950.000 TO 4+100.000	2446	
STA 4+100.000 TO 4+148.000	697	
<b>ALTORFER FRONTAGE ROAD</b>		
STA 9+960.332 TO 9+963.332		21
<b>TOTAL</b>	<b>24929</b>	<b>21</b>

\* NOT A TOTAL QUANTITY (FOR TOTAL QUANTITY ADD SIMILAR PAY ITEMS)

\*\* THE REMOVAL QUANTITIES ARE PROVIDED FOR INFORMATIONAL PURPOSES ONLY AND THE REMOVAL ITEMS SHOWN ARE TO BE PAID FOR AS SPECIAL EXCAVATION.

REVISIONS	
NAME	DATE

ILLINOIS DEPARTMENT OF TRANSPORTATION  
FAI ROUTE 74 (I-74)  
**SCHEDULE OF QUANTITIES**  
MAIN STREET  
RAMPS J-3 & J-4  
DRAWN BY SRS  
CHECKED BY JMM  
DATE 12-20-04



C:\phases\roadway\st101\sham.dgn 12/21/2004 7:48:32 AM

I:\projects\roadway\1101-5ma.dgn 12/27/2004 7:48:04 AM

**CURB AND GUTTER REMOVAL**

LOCATION	GUTTER (METER)	COMB CURB & GUTTER (METER)	GUTTER OUTLET (METER)
<b>MAIN STREET</b>			
RT STA 2+440.200 TO 2+444.000		4	
RT STA 2+444.000 TO 2+450.000	6		
RT STA 2+450.000 TO 2+520.000	70		9
LT STA 2+452.800 TO 5+191.000 (RAMP 19)		14	
LT STA 5+130.000 TO 5+189.000 (RAMP 19)		64	
LT STA 0+048.000 TO 0+109.000 (RAMP 18)		66	
LT STA 2+510.000 TO 2+537.000		27	
LT STA 6+022.000 TO 6+055.000 (RAMP 20)		40	
RT STA 7+257.000 TO 7+281.000 (RAMP 21)		25	
LT STA 2+460.000 TO 2+537.000		90	
LT STA 6+055.000 TO 6+123.000 (RAMP 20)		76	
RT STA 7+281.000 TO 7+367.000 (RAMP 21)		80	
LT STA 9+963.332 (FRONTAGE RD) TO RT 399+938.180 (ALTORFER RD)		53	
LT STA 399+938.180 TO 399+949.000 (ALTORFER RD)		11	
RT STA 2+771.000 TO 2+814.000	43		
LT STA 2+908.000 TO 199+958.700 (NATIONAL ST)		44	
LT STA 199+958.700 (NATIONAL ST) TO 2+965.000		40	
LT STA 99+874.650 TO 99+909.000 (BLACKJACK BLVD)		35	
RT STA 99+874.650 TO 99+909.000 (BLACKJACK BLVD)		35	
RT STA 99+938.100 TO 99+965.800 (BLACKJACK BLVD)		27	
LT STA 99+927.200 (BLACKJACK BLVD) TO 10+030.825 (FRONTAGE RD)		32	
RT STA 10+030.825 (FRONTAGE RD) TO LT 99+965.900 (BLACKJACK BLVD)		29	
<b>TOTALS</b>	<b>** 119</b>	<b>** 792</b>	<b>** 9</b>


66201			
F.A.I. RTE.	SECTION	COUNTY	TOTAL SHEETS
74	*	TAEWELL	1366
			98
STA.		TO STA.	
FED. ROAD DIST. NO.	ILLINOIS	FED. AID PROJECT	
*(90-10R-2;90(13,14,14-10R-1			

**TREE REMOVAL**

LOCATION	6 TO 15 (UNIT)	OVER 15 (UNIT)	HECTARES (HA)
<b>MAIN STREET</b>			
32.5M RT STA 2+438.5	8		
27.0M LT STA 2+439.0	12		
26.0M LT STA 2+440.5	6		
38.0M LT STA 2+446.5	15		
53.0M LT STA 2+446.5	12		
26.0M LT STA 2+446.5		18	
15.0M LT STA 2+831.5	8		
21.0M LT STA 2+831.5	14		
15.6M LT STA 2+836.3	8		
18.2M LT STA 2+837.4	6		
19.4M LT STA 2+840.5	8		
14.5M LT STA 2+840.8	10		
14.6M LT STA 2+845.6	6		
21.4M RT STA 2+855.3	12		
16.0M LT STA 2+858.4	14		
21.2M RT STA 2+862.2	12		
21.2M RT STA 2+867.3	6		
13.8M LT STA 2+869.0	12		
22.5M RT STA 2+873.0	8		
13.7M LT STA 2+873.8		16	
18.3M LT STA 2+874.7	10		
14.0M LT STA 2+876.8	14		
16.0M LT STA 2+878.2	12		
15.5M LT STA 2+878.6	8		
13.9M LT STA 2+879.3	14		
12.6M LT STA 2+882.9	12		
17.5M LT STA 2+847.3	12		
15.4M LT STA 2+869.4		18	
19.4M LT STA 2+904.6		30	
25.5M LT STA 3+950.3	8		
RT STA 2+991.0 TO 3+050.0			0.007
RT STA 3+050.0 TO 3+122.0			0.021
RT STA 3+220.0 TO 3+275.0			0.024
RT STA 3+381.0 TO 3+424.0			0.026
LT STA 3+858.0 TO 3+950.0			0.085
LT STA 3+950.0 TO 4+007.0			0.046
LT STA 4+048.0 TO 4+100.0			0.038
LT STA 4+100.0 TO 4+106.0			0.005
<b>TOTALS</b>	<b>267</b>	<b>* 82</b>	<b>* 0.3</b>

\* NOT A TOTAL QUANTITY  
(FOR TOTAL QUANTITY ADD  
SIMILAR PAY ITEMS)

\*\* THE REMOVAL QUANTITIES ARE PROVIDED FOR INFORMATIONAL  
PURPOSES ONLY AND THE REMOVAL ITEMS SHOWN ARE TO BE  
PAID FOR AS SPECIAL EXCAVATION.

 URS CORPORATION DECATUR, ILLINOIS	REVISIONS		ILLINOIS DEPARTMENT OF TRANSPORTATION FAI ROUTE 74 (I-74)  SCHEDULE OF QUANTITIES MAIN STREET RAMPS J-3 & J-4  DRAWN BY SRS CHECKED BY JJM
	NAME	DATE	
DATE 12-20-04			

\*(90-11)R-2;90(13,14,14-1)R-1

F.A.I. RTE.	SECTION	COUNTY	TOTAL SHEETS	SHEET NO.
74	*	TAZEWELL	1366	99
STA.		TO STA.		
FED. ROAD DIST. NO.		ILLINOIS FED. AID PROJECT		

PAVEMENT MARKING SCHEDULE

LOCATION	TYPE	THERMOPLASTIC						EPOXY										
		LETTERS AND SYMBOLS (SQ M)	LINE 100MM		LINE 150MM WHITE (METER)	LINE 200MM WHITE (METER)	LINE 300MM		LETTERS AND SYMBOLS (SQ M)	LINE 100MM		LINE 150MM WHITE (METER)	LINE 200MM WHITE (METER)	LINE 300MM		LINE 600MM WHITE (METER)		
			WHITE (METER)	YELLOW (METER)			WHITE (METER)	YELLOW (METER)		WHITE (METER)	YELLOW (METER)			WHITE (METER)	YELLOW (METER)			
<b>MAIN STREET</b>																		
2+218.898 TO 2+550.000 (INCLUDING FON DU LAC DRIVE)	9M-3M SKIP-DASH 15-LT OR RT ARROWS TURN LANES MEDIANS STOP LINES DOTTED		9					22.05			216							
2+550.000 TO 2+900.000 (INCLUDING ALTORFER LANE)	9M-3M SKIP-DASH 7-LT OR RT ARROWS TURN LANES SOLID DBL SOLID MEDIANS STOP LINES DIAGONALS DOTTED ISLANDS	1.47		108				8.82	18		228							
2+900.000 TO 3+250.000 (INCLUDING NATIONAL STREET)	9M-3M SKIP-DASH 4-LT OR RT ARROWS TURN LANES MEDIANS STOP LINES DIAGONALS DOTTED	5.88	6	342						64					35			
3+250.000 TO 3+600.000	9M-3M SKIP-DASH 1-TURN ARROW TURN LANES MEDIAN DBL SOLID DIAGONALS DOTTED	1.47			85													
3+600.000 TO 3+950.000	9M-3M SKIP-DASH 13-LT OR RT ARROWS TURN LANES DBL SOLID MEDIAN STOP LINES CROSSWALK DIAGONALS DOTTED	19.11		312	312				119									
3+950.000 TO 4+157.000	9M-3M SKIP-DASH MEDIAN DIAGONALS																	
<b>BLACKJACK BOULEVARD (WEST LEG)</b> (INCLUDING FRONTAGE ROAD)	9M-3M SKIP-DASH 6-LT OR RT ARROWS TURN LANES DBL SOLID MEDIAN DIAGONALS STOP LINES DOTTED ISLANDS	8.82	6	33		150												
<b>BLACKJACK BOULEVARD (EAST LEG)</b>	4-LT OR RT ARROWS TURN LANES MEDIAN DIAGONALS STOP LINES DOTTED ISLAND	5.88			34													
<b>RAMP J-3</b>	2-LT OR RT ARROWS							2.94										
<b>TOTALS</b>		<b>42.63</b>	<b>41</b>	<b>5337</b>	<b>1263</b>	<b>785</b>		<b>19</b>	<b>539</b>	<b>85</b>	<b>33.81</b>	<b>82</b>	<b>948</b>	<b>444</b>	<b>472</b>	<b>35</b>	<b>46</b>	<b>93</b>
				<b>5378</b>				<b>558</b>				<b>1030</b>			<b>81</b>			

PAVEMENT MARKING SCHEDULE

LOCATION	TYPE	POLYUREA - TYPE I			
		LINE 100MM		LINE 200MM WHITE (METER)	LINE 600MM WHITE (METER)
		WHITE (METER)	YELLOW (METER)		
<b>RAMP J-3</b> STA. 10+350 TO MAIN ST.	SOLID STOP LINES EDGE LINES			15	11
<b>RAMP J-4</b> MAIN ST. TO STA. 10+065	EDGE LINES	15	49		
<b>TOTALS</b>		<b>20</b>	<b>64</b>	<b>*15</b>	<b>11</b>
		<b>*84</b>			

\* NOT A TOTAL QUANTITY  
(FOR TOTAL QUANTITY ADD  
SIMILAR PAY ITEMS)



REVISIONS	
NAME	DATE

ILLINOIS DEPARTMENT OF TRANSPORTATION  
FAI ROUTE 74 (I-74)  
**SCHEDULE OF QUANTITIES**  
MAIN STREET  
RAMPS J-3 & J-4  
DRAWN BY SRS  
CHECKED BY JMM  
DATE 12-20-04

F.A.I. RTE.	SECTION	COUNTY	TOTAL SHEETS	SHEET NO.
74	*	TAZEWELL	1366	100
STA.		TO STA.		
FED. ROAD DIST. NO.		ILLINOIS	FED. AID PROJECT	

\*(90-11R-2;90(13,14,14-1R-1

**R. O. W. MARKERS**

LOCATION	EACH
<b>MAIN STREET</b>	
26.691M LT. STA. 2+682.586	1
40.616M LT. STA. 2+682.692	1
50.594M LT. STA. 2+694.207	1
62.393M LT. STA. 2+694.592	1
62.232M LT. STA. 2+706.618	1
25.230M LT. STA. 2+714.012	1
27.450M LT. STA. 2+920.235	1
41.338M LT. STA. 2+931.808	1
41.228M LT. STA. 2+944.862	1
27.450M LT. STA. 2+955.440	1
<b>TOTAL</b>	<b>10</b>

**PERMANENT SURVEY MARKERS**

LOCATION	TYPE 1 (EACH)
<b>MAIN STREET</b>	
PI STA 2+579.299	1
POT STA 2+900.000	1
POT STA 3+200.000	1
POT STA 3+500.000	1
POT STA 3+800.000	1
PC STA 4+038.852	1
PI STA 4+095.543	1
PT STA 4+152.181	1
<b>TOTAL</b>	<b>* 8</b>

**DUST CONTROL SCHEDULE**

LOCATION	STREET SWEEPING (HOUR)	APPLY DUST SUPPRESSION AGENTS (UNIT)	SOIL STABILIZERS (KG)	DUST CONTROL PADS (EACH)
<b>MAIN STREET</b>				
2+300 TO 2+450.000	7	12	405	1
2+450.000 TO 2+600.000	23	108	3330	2
2+600.000 TO 2+750.000	24	26	1449	2
2+750.000 TO 2+900.000	23	45	2676	2
2+900.000 TO 3+050.000	24	33	1512	2
3+050.000 TO 3+200.000	23	52	2757	2
3+200.000 TO 3+350.000	24	48	2568	2
3+350.000 TO 3+500.000	23	43	1727	2
3+500.000 TO 3+650.000	24	30	1767	2
3+650.000 TO 3+800.000	23	37	1952	2
3+800.000 TO 3+950.000	24	33	1904	2
3+950.000 TO 4+100.000	23	20	925	2
4+100.000 TO 4+157.000	9	5	211	1
BLACKJACK BOULEVARD	31	6	135	2
<b>TOTALS</b>	<b>* 305</b>	<b>* 498</b>	<b>* 23318</b>	<b>* 26</b>

**BUTT JOINT SCHEDULE**

LOCATION	PCC SURF REMOVAL (SQ M)	BIT SURF REMOVAL (SQ M)	TEMP RAMP (SQ M)
<b>MAIN STREET</b>			
LT STA 4+157.000		66	11
RT STA 4+157.000		67	11
<b>BLACKJACK BLVD</b>			
LT STA 99+885.450	66		11
RT STA 99+885.450	71		12
<b>FRONTAGE ROAD AT BLACKJACK BLVD</b>			
STA 10+030.825		69	13
<b>TOTALS</b>	<b>137</b>	<b>202</b>	<b>58</b>

\* NOT A TOTAL QUANTITY (FOR TOTAL QUANTITY ADD SIMILAR PAY ITEMS)



URS CORPORATION  
DECATUR, ILLINOIS

REVISIONS	
NAME	DATE

ILLINOIS DEPARTMENT OF TRANSPORTATION  
FAI ROUTE 74 (I-74)

SCHEDULE OF QUANTITIES  
MAIN STREET  
RAMPS J-3 & J-4

DATE 12-20-04

DRAWN BY SRS  
CHECKED BY JJM