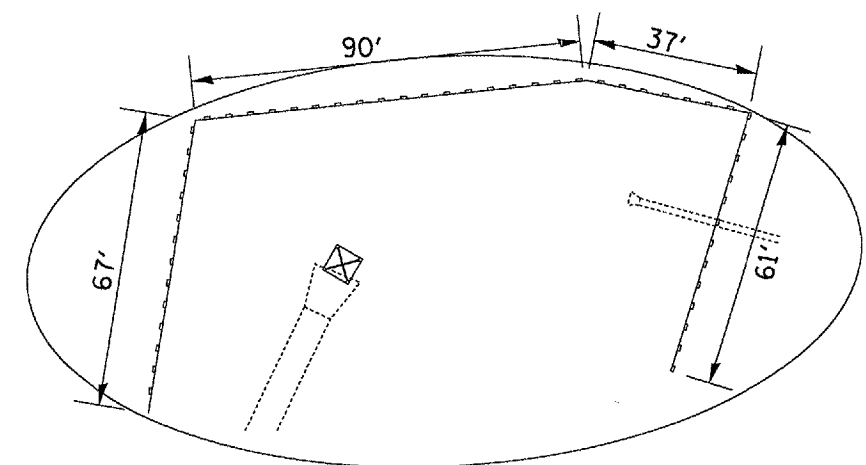
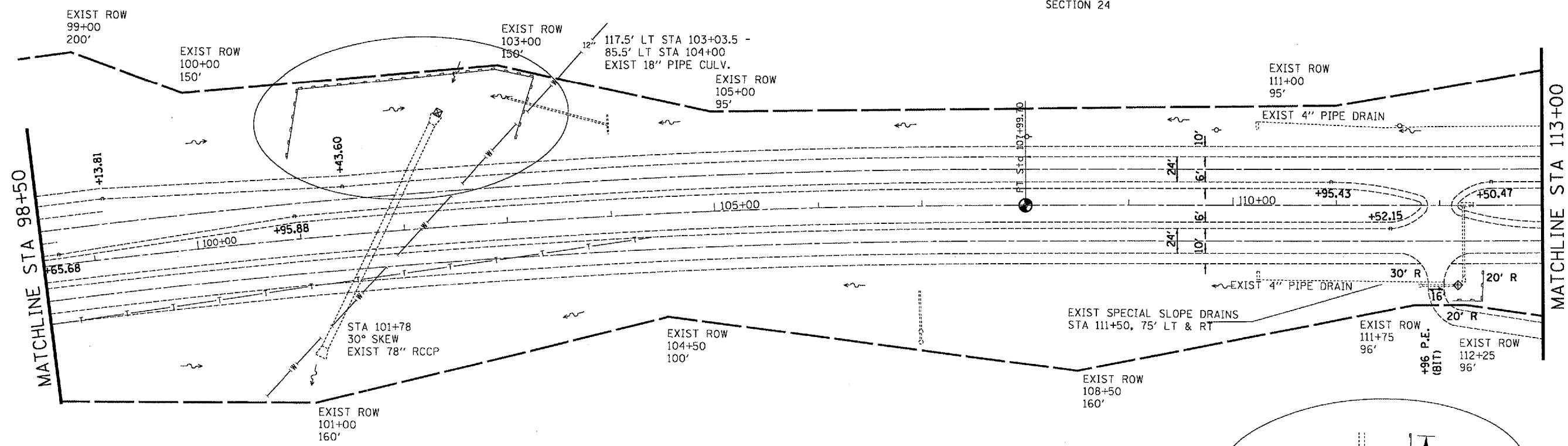


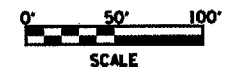
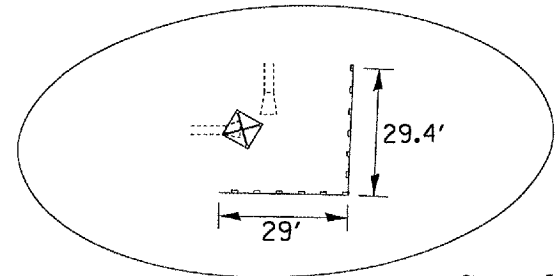
CONTRACT NO. 68334				
F.A.P. RTE.	SECTION	COUNTY	TOTAL SHEETS	SHEET NO.
310	138-21RS	MCDONOUGH	66	29
STA. 98+50		TO STA. 113+00		
FED. ROAD DIST. NO.	ILLINOIS	FED. AID PROJECT		



T6N R3W 4TH PM (MACOMB CITY TWP)
SECTION 24



T6N R2W 4TH PM (MACOMB CITY TWP)
SECTION 19



REMOVAL LEGEND

- BUTT JOINT
- GUARDRAIL REMOVAL
- CULVERT REMOVAL

EROSION CONTROL LEGEND

- PERIMETER EROSION BARRIER
- INLET & PIPE PROTECTION
- GRADE & SHAPE DITCH

REVISIONS	
NAME	DATE

ILLINOIS DEPARTMENT OF TRANSPORTATION

EXISTING / REMOVAL
STA 98+50 - 113+00

SCALE: VERT. 1" = 50'
DATE: _____ HORIZ. _____
DRAWN BY: CADD
CHECKED BY: _____

PLOT DATE: 2/23/2005
 FILE NAME: s:\projects\68334\shwa\ldg\68334.dwg
 PLOT SCALE: 1/8" = 1'-0"
 REFERENCE: MRP