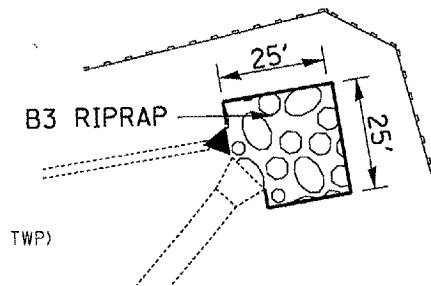
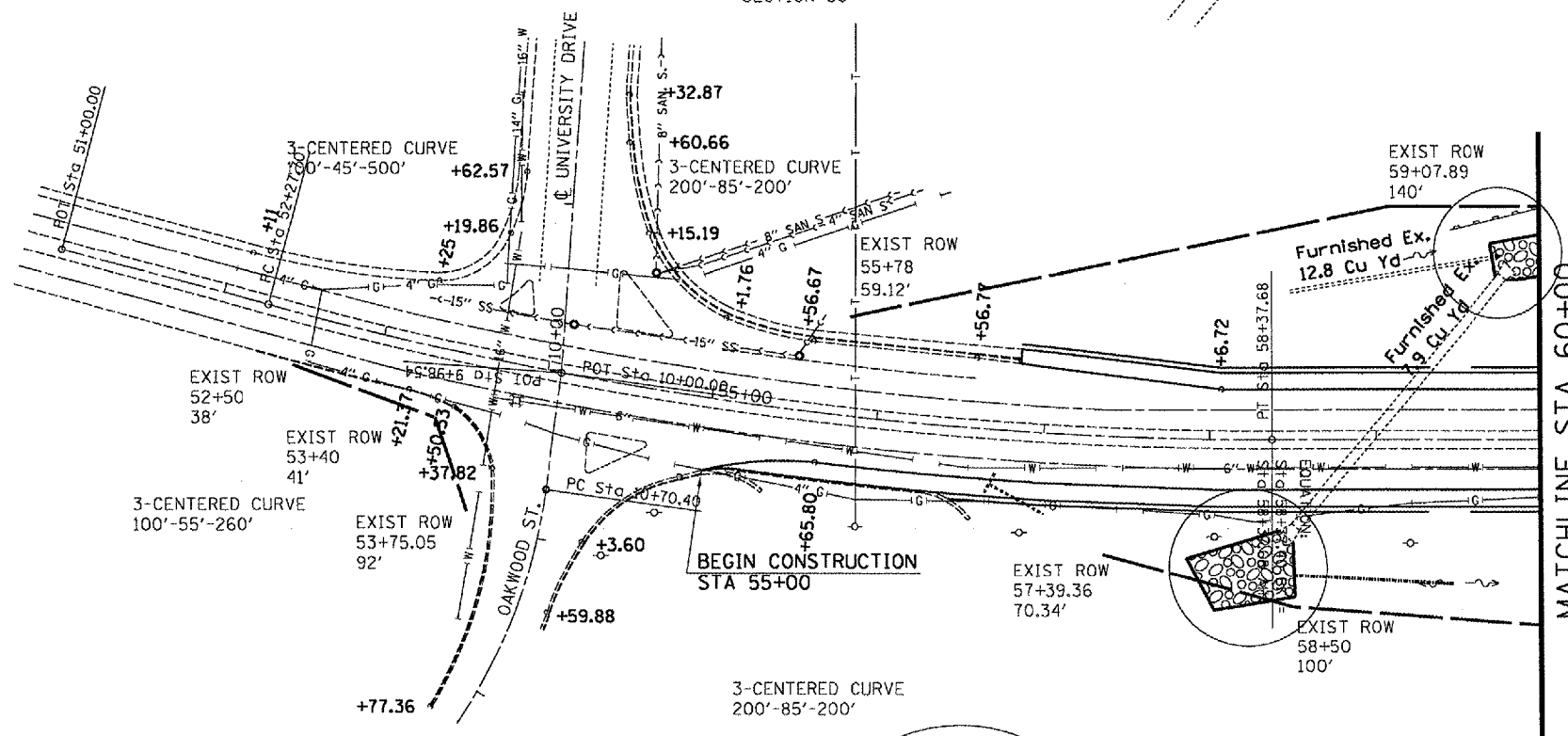


F.A.P. DIST.	SECTION	COUNTY	TOTAL SHEETS	SHEET NO.
310	138-21RS	MCDONOUGH	66	33
STA. B.O.P.		TO STA. 60+00		
FED. ROAD DIST. NO.		ILLINOIS FED. AID PROJECT		

EXIST. CURVE @ MEDIAN
 PI STA. = 55+34.36
 $\Delta = 15^\circ 14' 33''$ (LT)
 $D = 2^\circ 30' 00''$
 $R = 2,291.83'$
 $T = 306.66'$
 $L = 609.70'$
 $E = 20.43'$
 $S.E. RUN = 0.024$ FT/FT
 P.C. STA. = 52+27.70
 P.T. STA. = 58+37.40



T6N R3W 4TH PM (MACOMB CITY TWP)
 SECTION 30

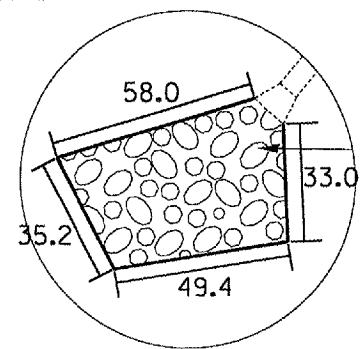


Furnished Ex. 12.8 Cu Yd

Furnished Ex. 19 Cu Yd

MATCHLINE STA 60+00

EXIST. CURVE OAK1
 PI STA. = 12+31.16
 $\Delta = 51^\circ 00' 18''$ (RT)
 $D = 17^\circ 00' 06''$
 $R = 337.00'$
 $T = 160.76'$
 $L = 300.00'$
 $E = 36.38'$
 $\theta =$ -----
 $T.R. =$ -----
 $S.E. RUN =$ -----
 P.C. STA. = 10+70.40
 P.T. STA. = 13+70.40



B3 RIPRAP

T6N R2W 4TH PM (MACOMB CITY TWP)
 SECTION 30



PROPOSED LEGEND

- GUARDRAIL
- END SECTION REPLACEMENT
- RIPRAP

EROSION CONTROL LEGEND

- PERIMETER EROSION BARRIER
- INLET & PIPE PROTECTION
- GRADE & SHAPE DITCH

REVISIONS	
NAME	DATE

ILLINOIS DEPARTMENT OF TRANSPORTATION

PROPOSED
 B.O.P. - STA. 60+00

SCALE: VERT. 1" = 50'
 HORIZ. 1" = 50'
 DATE _____ DRAWN BY CADD
 CHECKED BY _____

PLOT DATE = 3/23/2005
 FILE NAME = c:\p\proj\68334\sheet.dwg
 PLOT SCALE = 1/8" = 1' IN.
 REFERENCE = SHEET#