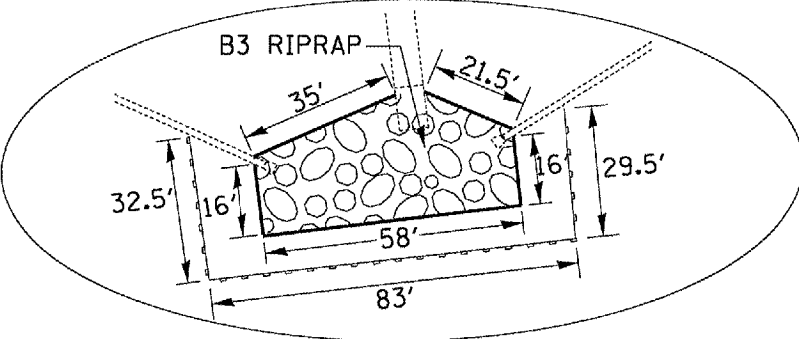
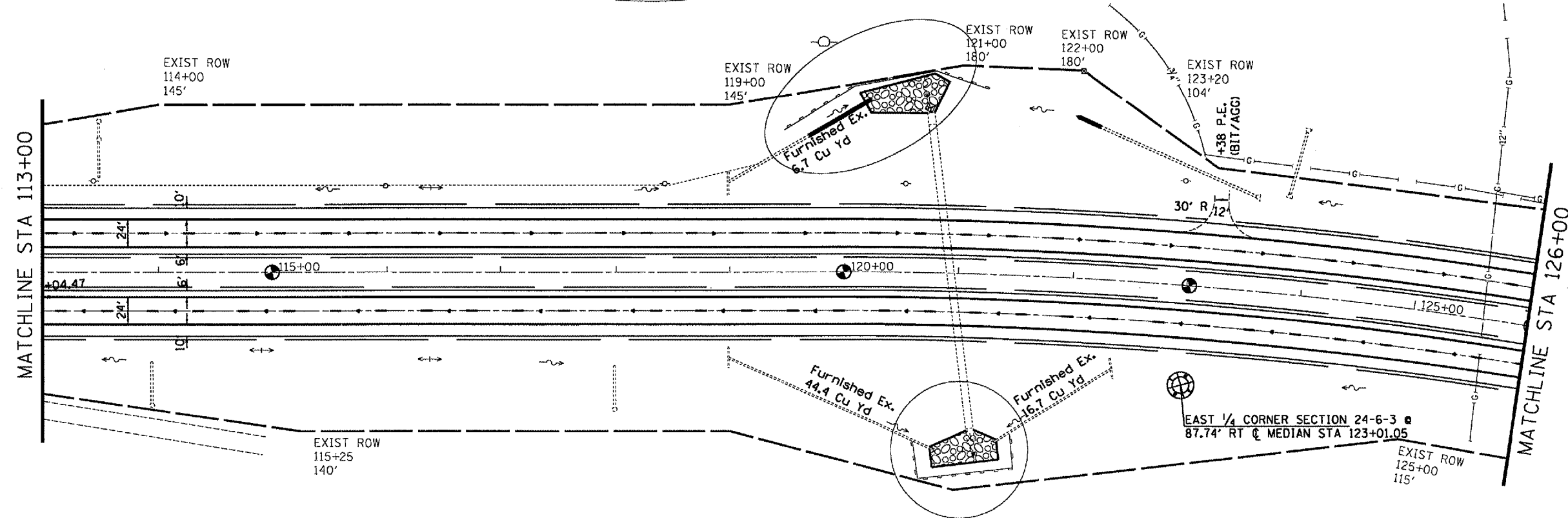
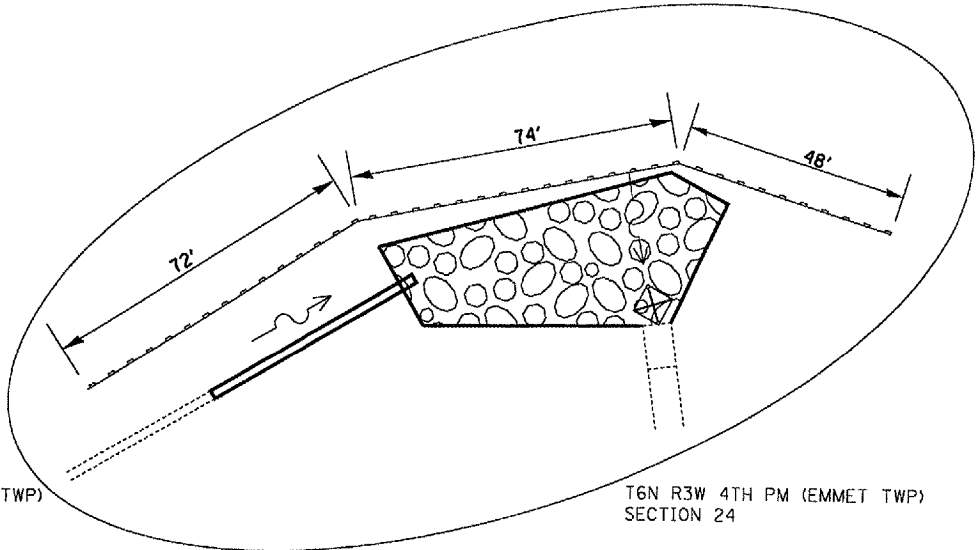


F.A.P. RTE.	SECTION	COUNTY	TOTAL SHEETS	SHEET NO.
310	38-2R5	MCDONOUGH	66	38
STA. 113+00 TO STA. 126+00			ILLINOIS FED. AID PROJECT	

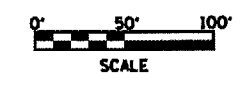


PROPOSED LEGEND

- GUARDRAIL
- END SECTION REPLACEMENT
- RIPRAP

EROSION CONTROL LEGEND

- PERIMETER EROSION BARRIER
- INLET & PIPE PROTECTION
- GRADE & SHAPE DITCH



REVISIONS	
NAME	DATE

ILLINOIS DEPARTMENT OF TRANSPORTATION

PROPOSED
STA 113+00 - 126+00

SCALE: VERT. 1" = 50'
HORIZ. 1" = 50'

DATE _____ DRAWN BY CADD
CHECKED BY _____

PLOT DATE = 3/23/2005
 FILE NAME = s:\projects\68334\sheet.dgn
 PLOT SCALE = 1/8" = 1' IN.
 REFERENCE = SHEET#