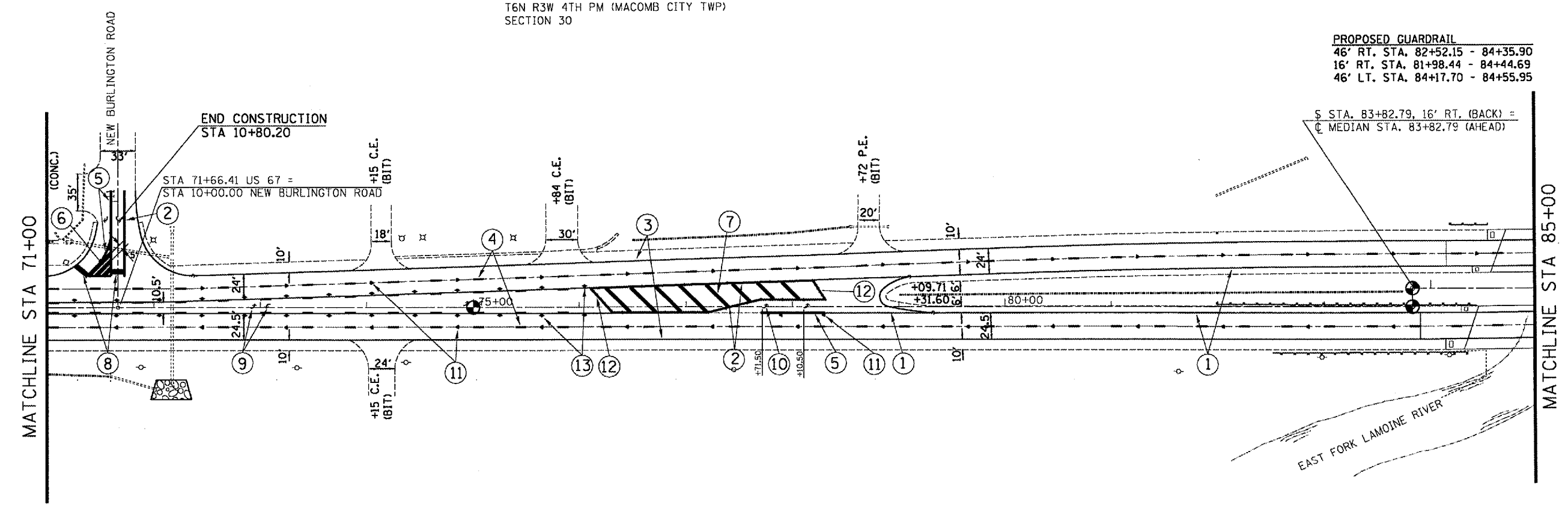


CONTRACT NO. 68334				
F.A.P. RTE.	SECTION	COUNTY	TOTAL SHEETS	SHEET NO.
310	138-21RS	MCDONOUGH	66	43
STA. 71+00		TO STA. 85+00		
FED. ROAD DIST. NO.		ILLINOIS FED. AID PROJECT		



T6N R3W 4TH PM (MACOMB CITY TWP)
SECTION 30

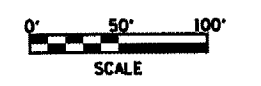
PROPOSED GUARDRAIL
 46' RT. STA. 82+52.15 - 84+35.90
 16' RT. STA. 81+98.44 - 84+44.69
 46' LT. STA. 84+17.70 - 84+55.95



\$ STA. 83+82.79, 16' RT. (BACK) =
 C MEDIAN STA. 83+82.79 (AHEAD)

- ① 4" YELLOW EPOXY LINE
- ② 4" DOUBLE YELLOW EPOXY LINES
- ③ 4" WHITE EPOXY LINE
- ④ 6" WHITE PREFORMED PLASTIC LINE (30' SKIP/10' DASH)
- ⑤ 8" WHITE EPOXY LINE
- ⑥ 12" WHITE EPOXY LINE
- ⑦ 12" YELLOW EPOXY LINE
- ⑧ 24" WHITE EPOXY LINE
- ⑨ YELLOW EPOXY TURN ARROWS
- ⑩ WHITE EPOXY TURN ARROWS
- ⑪ ONE-WAY CRYSTAL
- ⑫ ONE-WAY AMBER
- ⑬ TWO-WAY AMBER

T6N R2W 4TH PM (MACOMB CITY TWP)
SECTION 30



REVISIONS	
NAME	DATE

ILLINOIS DEPARTMENT OF TRANSPORTATION
PROPOSED STRIPING
STA 71+00 - 85+00
 SCALE: VERT. 1" = 50'
 HORIZ. DATE
 DRAWN BY CAOD
 CHECKED BY

PLOT DATE = 3/23/2005
 FILE NAME = c:\p05\mcd\68334\sheet.dgn
 PLOT SCALE = 1/8" = 100'
 REFERENCE = 68334