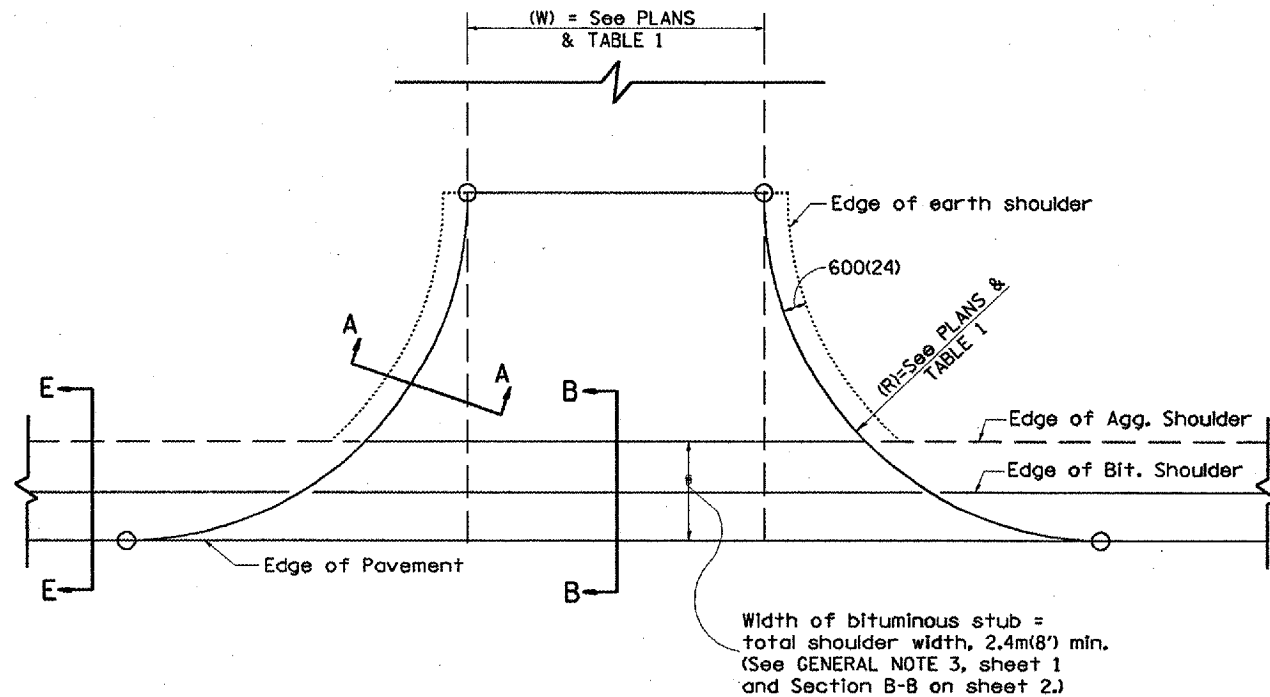
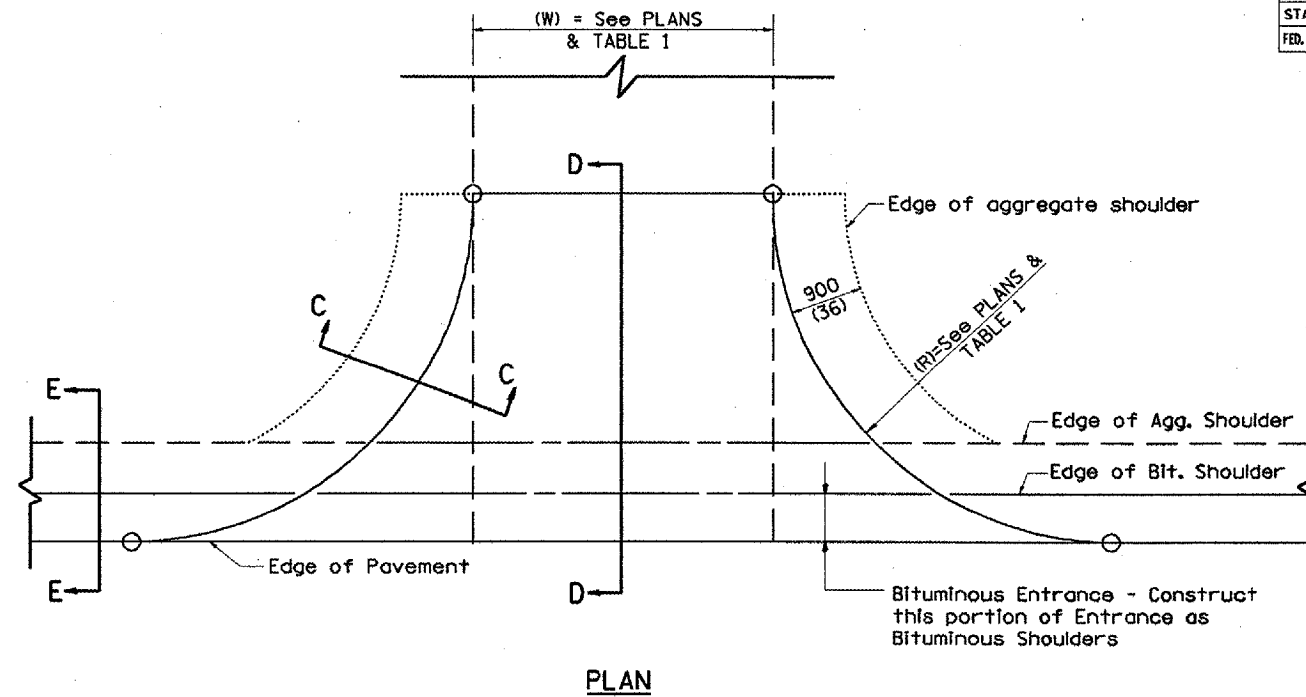


| F.A.P. RTE.         | SECTION  | COUNTY                    | TOTAL SHEETS | SHEET NO. |
|---------------------|----------|---------------------------|--------------|-----------|
| 310                 | C38-2JRS | MCDONOUGH                 | 66           | 53        |
| STA.                |          | TO STA.                   |              |           |
| FED. ROAD DIST. NO. |          | ILLINOIS FED. AID PROJECT |              |           |

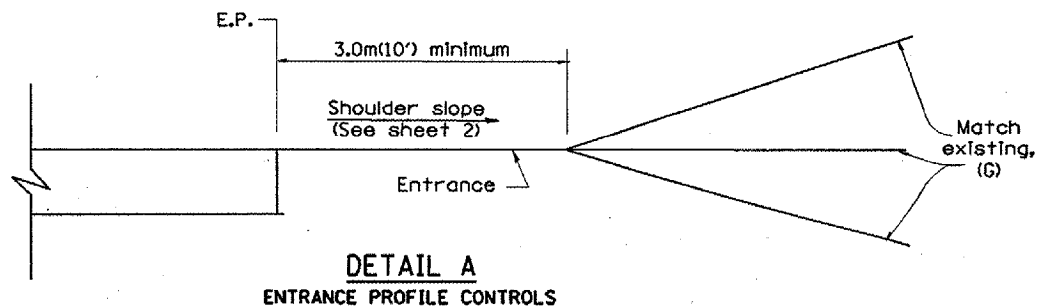


**PLAN**  
**AGGREGATE ENTRANCE**

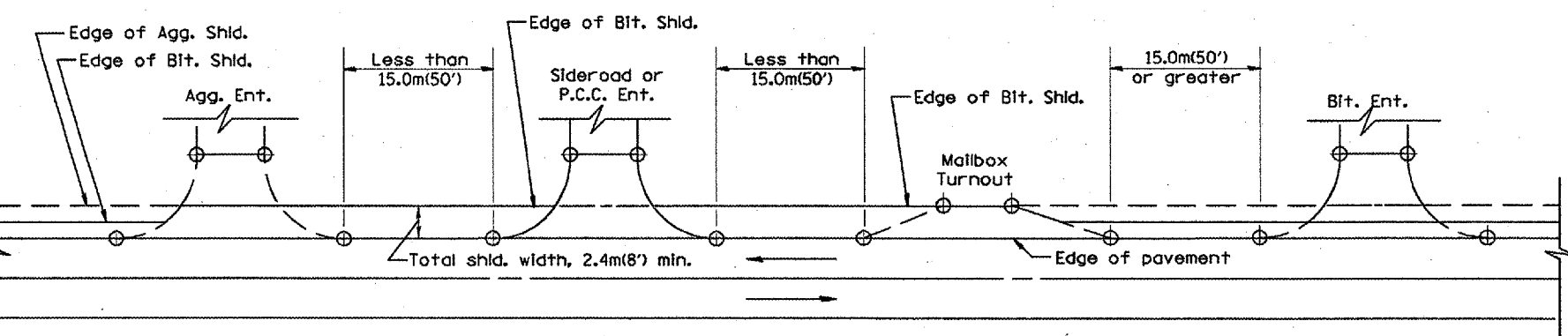


**PLAN**  
**PCC OR BITUMINOUS ENTRANCE**

| ELEMENT        | NON-COMMERCIAL |                 | NON-COMMERCIAL W/<br>LARGE FARM EQUIPMENT |                 | COMMERCIAL      |                 |                |                 |
|----------------|----------------|-----------------|---|-----------------|-----------------|-----------------|----------------|-----------------|
|                |                |                 |   |                 | 1-WAY OPERATION | 2-WAY OPERATION |                |                 |
| WIDTH (W)      | 3.6m(12') MIN. | 7.2m(24') MAX.  | 6.1m(20') MIN.                            | 9.0m(30') MAX.  | 4.3m(14') MIN.  | 7.2m(24') MAX.  | 7.2m(24') MIN. | 10.7m(35') MAX. |
| RADIUS (R)     | 3.0m(10') MIN. | 12.0m(40') MAX. | 3.0m(10') MIN.                            | 12.0m(40') MAX. | 6.1m(20') MIN.  | 15.0m(50') MAX. | 6.1m(20') MIN. | 15.0m(50') MAX. |
| MAX. GRADE (G) | 12%            |                 | 12%                                       |                 | 10%             |                 |                |                 |



**DETAIL A**  
**ENTRANCE PROFILE CONTROLS**



**DETAIL B**  
**SHOULDER TREATMENT FOR CLOSELY SPACED SIDEROADS,  
ENTRANCES, AND/OR MAIL BOX TURNOUTS  
(SEE GENERAL NOTE 2, SHEET 1)**

**GENERAL NOTES**

- Entrances shall slope away from the pavement edge at a rate equal to the shoulder slope for a minimum distance of 3.0m(10'). See DETAIL 'A'.
- The total shoulder width, 2.4m(8') minimum, shall be paved between sideroads, entrances and/or mailbox turnouts, at locations where the distance between radius or taper control points is less than 15.0m(50'). See DETAIL 'B'.
- The width of bituminous stub for field entrances shall be equal to the bituminous shoulder width unless otherwise shown.

All slopes ratios are expressed as units of vertical displacement to units of horizontal displacement (V:H).  
All dimensions are in millimeters (inches) unless otherwise noted.

ILLINOIS DEPARTMENT OF TRANSPORTATION  
**DISTRICT CADD STANDARD**  
**RURAL ENTRANCES FOR "3R" PROJECTS**  
SHEET 1 OF 2  
CADD STD NO. 406301-D4  
SCALE: NOT DRAWN TO SCALE  
DRAWN BY CADD  
DATE \*\*DATE\*\*  
CHECKED BY: T. PICKERING

| DATE   | REVISIONS                         | BY   |
|--------|-----------------------------------|------|
| 1-1-97 | RENUM. C-103.06, NEW REVISION BOX | T.P. |
| 7-1-97 | REVISE DESIGNER NOTES             | J.A. |
|        |                                   |      |
|        |                                   |      |
|        |                                   |      |

\*\*\*DATE\*\*