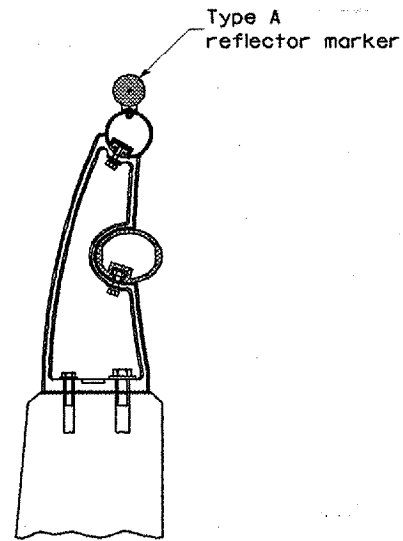
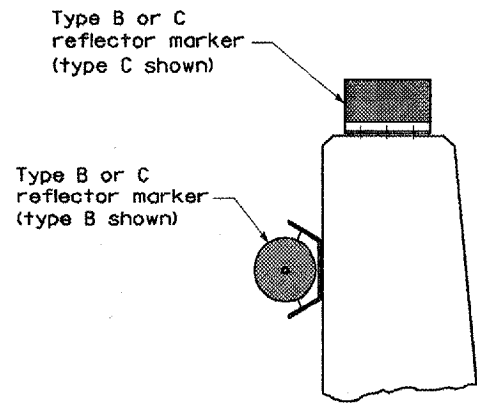


| F.A.P. RTE.         | SECTION | COUNTY                    | TOTAL SHEETS | SHEET NO. |
|---------------------|---------|---------------------------|--------------|-----------|
| 310                 | 138-2RS | MCDONOUGH                 | 66           | 61        |
| STA.                |         | TO STA.                   |              |           |
| FED. ROAD DIST. NO. |         | ILLINOIS FED. AID PROJECT |              |           |

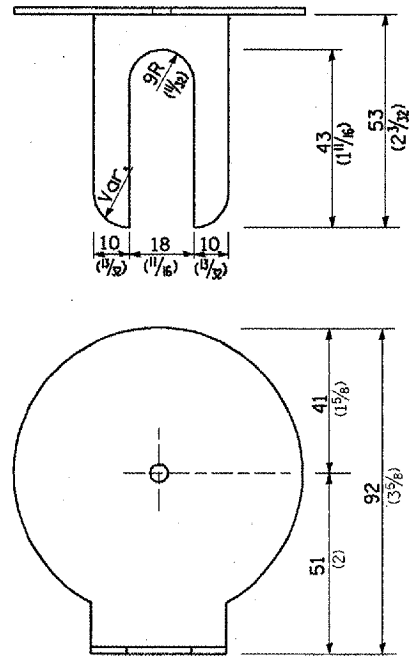


TYPICAL MOUNTING DETAIL FOR BRIDGE RAIL REFLECTOR



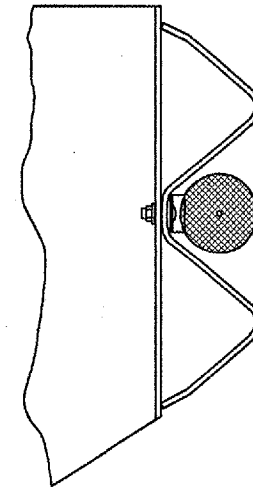
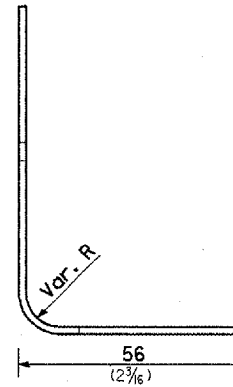
TYPICAL MOUNTING DETAIL FOR BARRIER WALL REFLECTOR

REFLECTOR MOUNTING

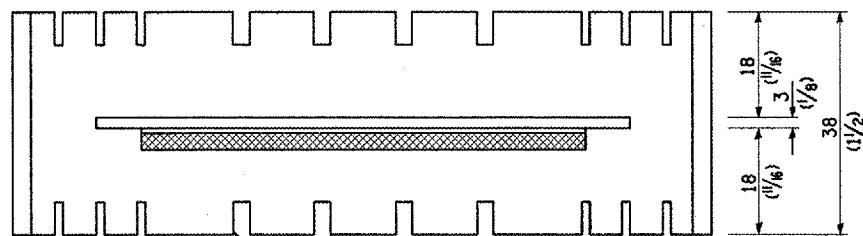


REFLECTOR MARKER TYPE A

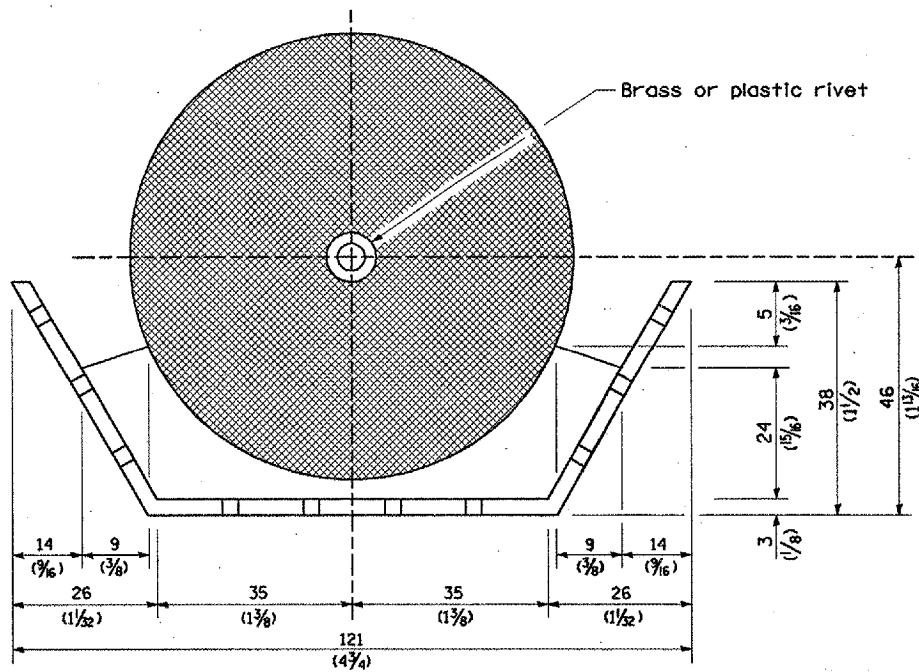
Min. reflective area 4,194 mm<sup>2</sup> (6 1/2 Sq. In.) each side. May be rectangular or slight trapezoid.



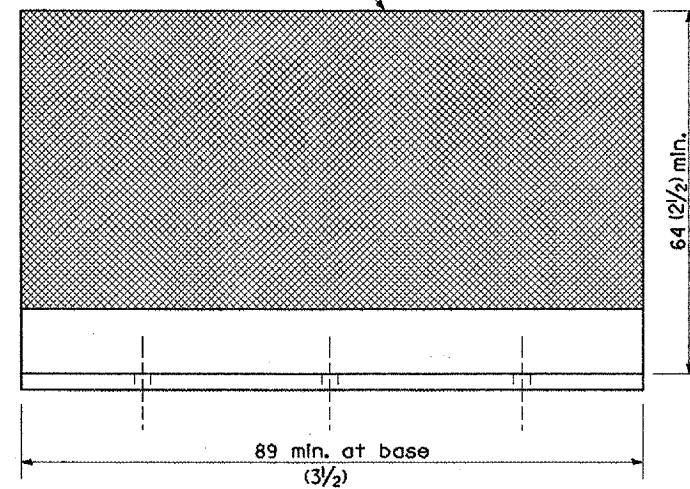
TYPICAL GUARDRAIL MOUNTING WITH REFLECTOR MARKER TYPE A



Adhesive weep slots or holes equally spaced on both sides



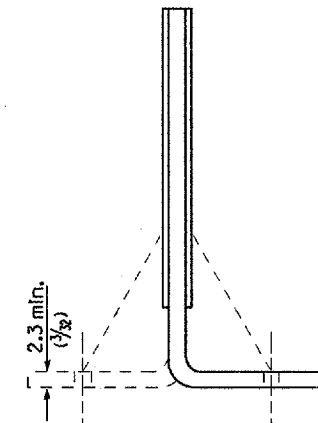
REFLECTOR MARKER TYPE B



REFLECTOR MARKER TYPE C

3 min. adhesive weep holes or slots each side, variable spacing.

Minimum total area of base 4,516 mm<sup>2</sup> (7.0 Sq. In.)



Cross section may be "T" or "L" shaped and may have side supports at ends.

REFLECTORS

All dimensions are in millimeters (inches) unless otherwise noted.

|  |               |
|--|---------------|
| ILLINOIS DEPARTMENT OF TRANSPORTATION  |               |
| DISTRICT CADD STANDARD                 |               |
| GUARDRAIL AND BARRIER WALL DELINEATION |               |
| CADD STD. NO. 635101-D4                | SHEET 3 OF 3  |
| SCALE: NOT DRAWN TO SCALE              | DRAWN BY CADD |
|  | CHECKED BY    |