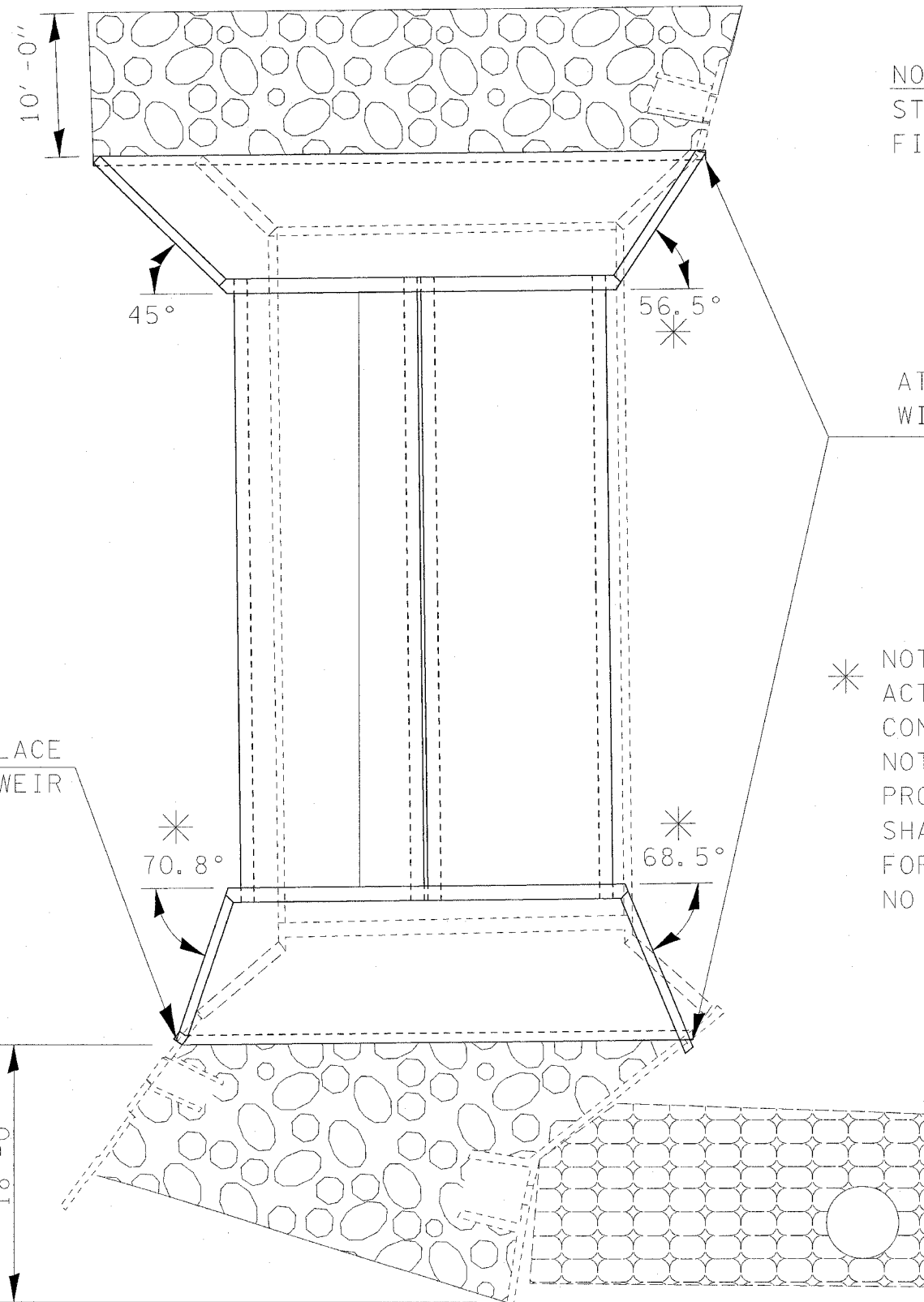


F.A.P. RTE.	SECTION	COUNTY	TOTAL SHEETS	SHEET NO.
709	105BR	CHAMPAIGN	36	11

CONTRACT NO. 70391

PROPOSED WING WALL DESIGN



NORTH END
 STONE RIPRAP CLASS A-4 = 49 SQYDS
 FILTER FABRIC = 49 SQYDS

ATTACH PROPOSED CAST IN PLACE
 WING WALL TO EXISTING WEIR

ATTACH PROPOSED CAST IN PLACE
 WING WALL TO EXISTING WEIR

* NOTE: WING WALL ANGLES ARE APPROXIMATE,
 ACTUAL ANGLES SHALL BE FOUND WHEN
 CONNECTING TO EXISTING WEIRS.
 NOTE: ALL WORK ASSOCIATED WITH ATTACHING
 PROPOSED WINGWALLS TO EXISTING WEIRS
 SHALL BE INCLUDED IN THE CONTRACT UNIT PRICE
 FOR BOX CULVERT END SECTION,
 NO ADDITIONAL COMPENSATION WILL BE ALLOWED

SOUTH END
 STONE RIPRAP CLASS A-4 = 48 SQYDS
 FILTER FABRIC = 48 SQYDS

