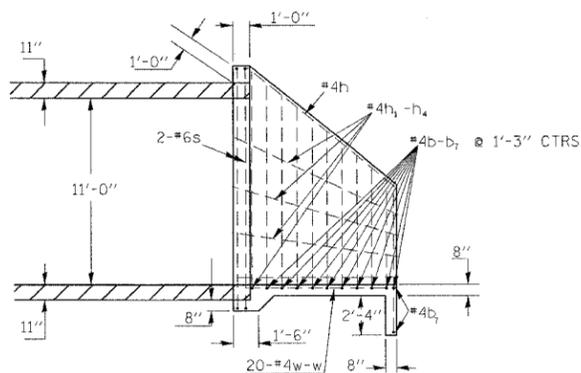
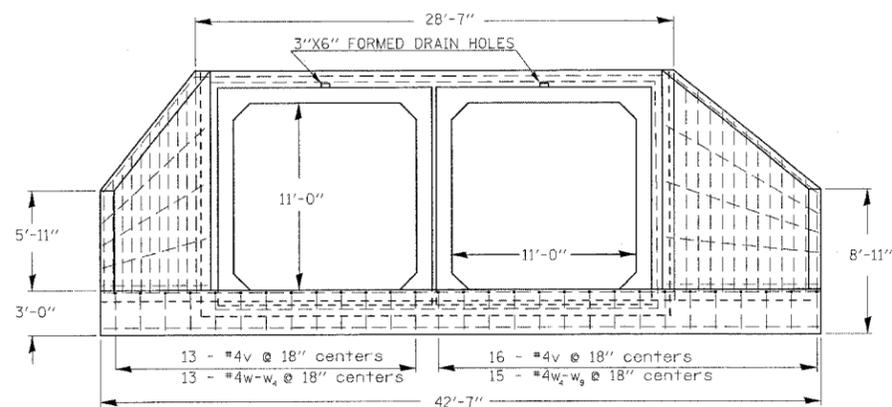
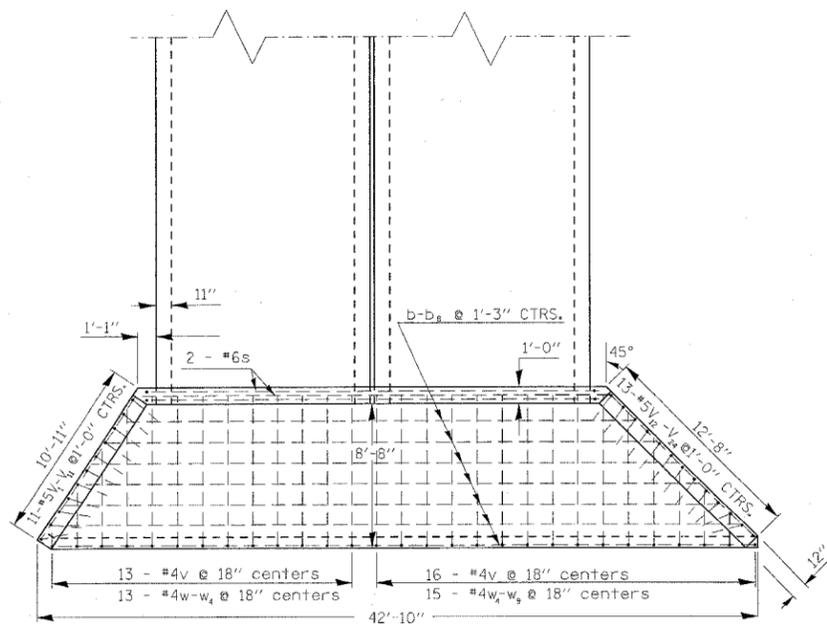
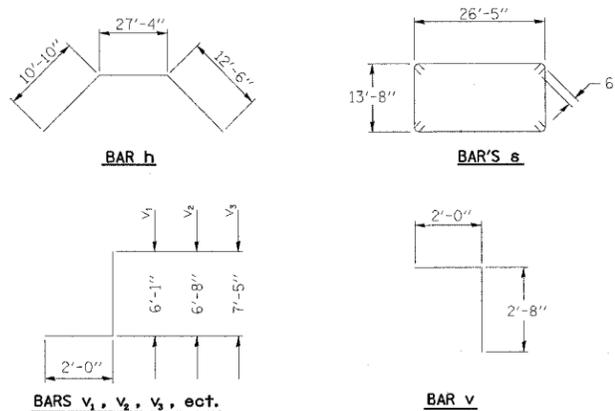


DETAIL OF BOX CULVERT END SECTION

NORTH END



END VIEW



NOTES

- All bars should be rounded and shall conform to the requirements of Art. 1006.10 of Standard Specs.
- Class SI Concrete shall be used throughout.
- The Precast Concrete Box Culvert Sections shall conform to the requirements of AASHTO M273.
- All dimensions are in FEET (')-INCHES (") unless otherwise noted.
- Concrete and Rebar quantities and lengths calculated for the cast-in-place End Sections will vary based on the precast box culverts supplied.
- End Sections will be paid for at the contract unit price each for BOX CULVERT END SECTION CULVERT, as outlined in Art. 540.08, which prices shall include all concrete, rebar, and all other items necessary to complete the proposed work. Work required to attach the proposed wingwalls to the existing weirs shall be included in the unit price for BOX CULVERT END SECTION and no additional compensation will be allowed.
- Drain holes shall be provided in accordance with Art. 503.12.
- Drawings not to scale.

BILL OF MATERIAL (ONE HEADWALL)

Bar No.	Size	Length (ft)	Shape
b	#4	28'-5"	---
b1	#4	30'-11"	---
b2	#4	32'-12"	---
b3	#4	35'-0"	---
b4	#4	37'-1"	---
b5	#4	39'-2"	---
b6	#4	41'-3"	---
b7	#4	41'-11"	---
h	#4	50'-8"	---
h1	#4	11'-4"	---
h2	#4	11'-8"	---
h3	#4	12'-0"	---
h4	#4	12'-4"	---
h5	#4	13'-0"	---
h6	#4	13'-4"	---
h7	#4	13'-8"	---
h8	#4	14'-0"	---
s	#6	14'-9"	---
s1	#6	27'-6"	---
s2	#6	14'-9"	---
s3	#6	27'-6"	---
v	#4	4'-8"	┘
v1	#5	8'-1"	┘
v2	#5	8'-8"	┘
v3	#5	9'-5"	┘
v4	#5	10'-1"	┘
v5	#5	10'-9"	┘
v6	#5	11'-5"	┘
v7	#5	12'-1"	┘
v8	#5	12'-10"	┘
v9	#5	13'-6"	┘
v10	#5	14'-2"	┘
v11	#5	15'-1"	┘
v12	#5	14'-11"	┘
v13	#5	14'-4"	┘
v14	#5	13'-9"	┘
v15	#5	13'-2"	┘
v16	#5	12'-7"	┘
v17	#5	12'-1"	┘
v18	#5	11'-6"	┘
v19	#5	10'-11"	┘
v20	#5	10'-4"	┘
v21	#5	9'-9"	┘
v22	#5	9'-2"	┘
v23	#5	8'-7"	┘
v24	#5	8'-1"	┘
w	#4	1'-5"	---
w1	#4	3'-8"	---
w2	#4	5'-12"	---
w3	#4	8'-3"	---
w4	#4	9'-0"	---
w5	#4	8'-0"	---
w6	#4	6'-6"	---
w7	#4	5'-0"	---
w8	#4	3'-6"	---
w9	#4	1'-10"	---
Reinforcement Bars	LB.	1120	
Class SI Conc. Hdwall	CU. YD.	21.2	

ITEM	UNIT	QUANT.
Box Culvert End Section	EACH	1
Expansion bolts, 3/4"	EACH	58

BOX CULVERT END SECTIONS
(CAST IN PLACE)
2 @ 11.0' X 11.0'

CULVERT DETAIL NORTH