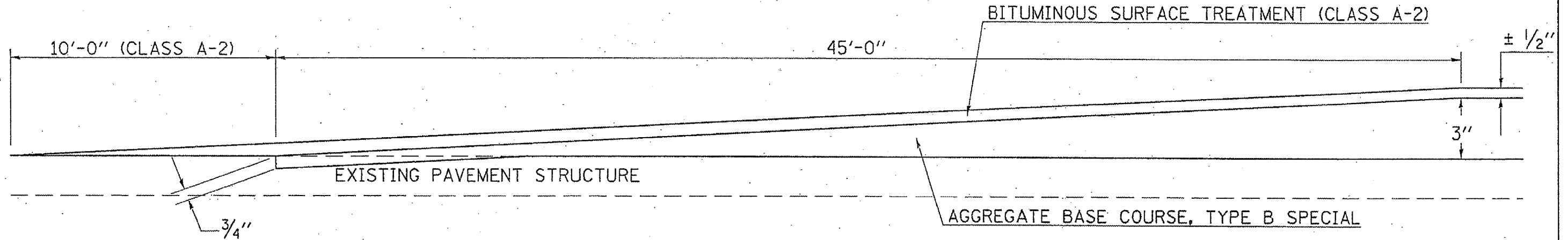


# RUNDOWN DETAIL

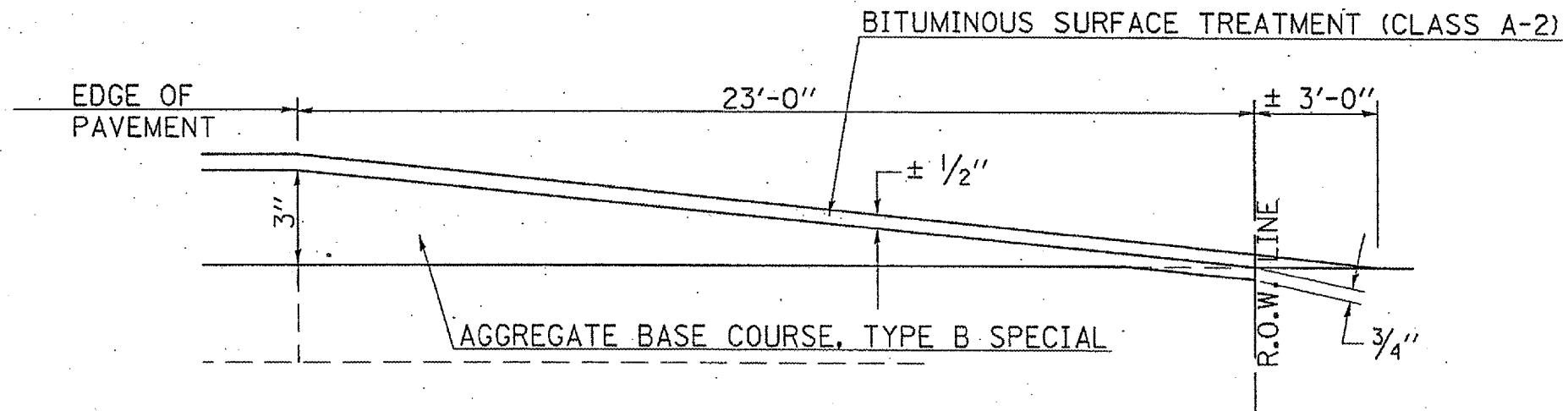
F.A.S. RTE.	SECTION	COUNTY	TOTAL SHEETS	SHEET NO.
1678	6 MFT. Q	EDGAR	29	25

CONTRACT NO. 70467



# SIDEROADS

(BITUMINOUS OR OIL & CHIP)



**NOTE:** THE BASE COURSE AND A-2 TREATMENT ARE INTENDED TO RESURFACE THE EXISTING SIDEROAD CONFIGURATIONS IN THEIR ENTIRETY.