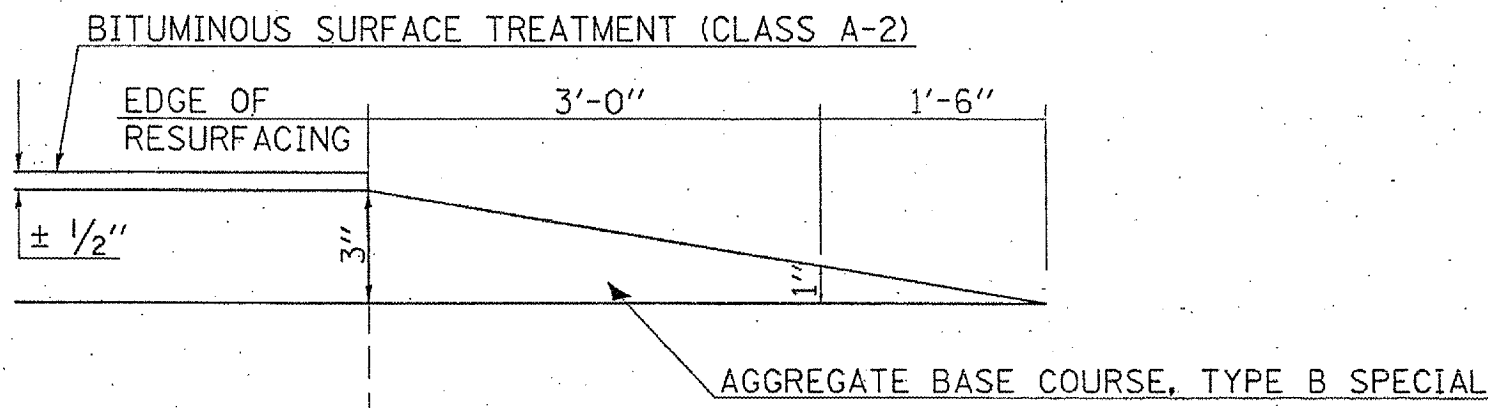


PRIVATE OR COMMERCIAL ENTRANCES

(BITUMINOUS, OIL & CHIP, AGGREGATE OR EARTH)

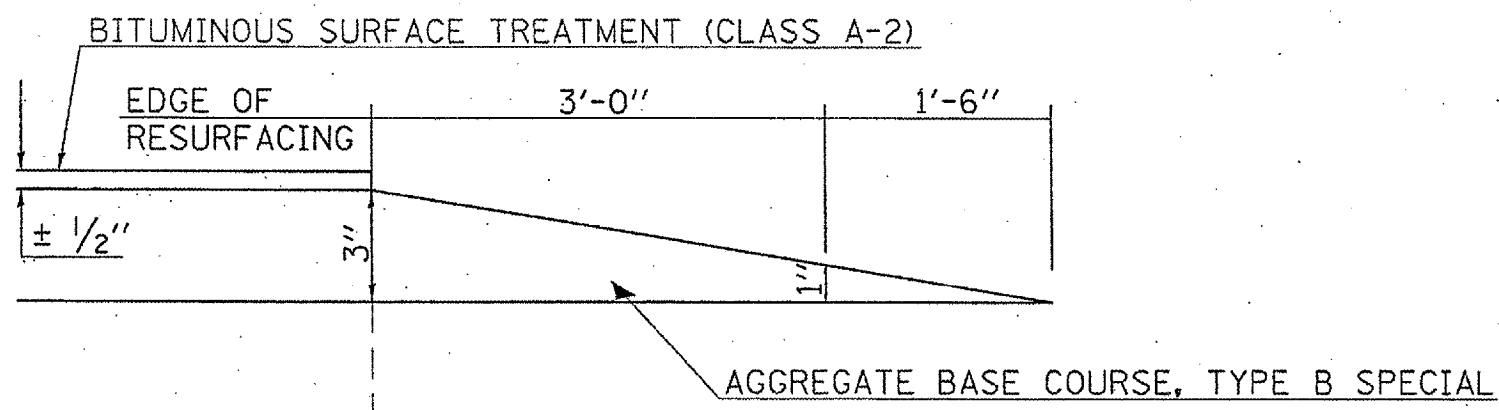
F.A.S. RTE.	SECTION	COUNTY	TOTAL SHEETS	SHEET NO.
1678	6 MFT. Q	EDGAR	29	26

CONTRACT NO. 70467



NOTE: THE BASE COURSE IS INTENDED TO RESURFACE THE EXISTING ENTRANCES IN THEIR ENTIRETY.

MAILBOX TURNOUTS



NOTE: THE BASE COURSE IS INTENDED TO RESURFACE THE EXISTING MAILBOX TURNOUTS IN THEIR ENTIRETY.