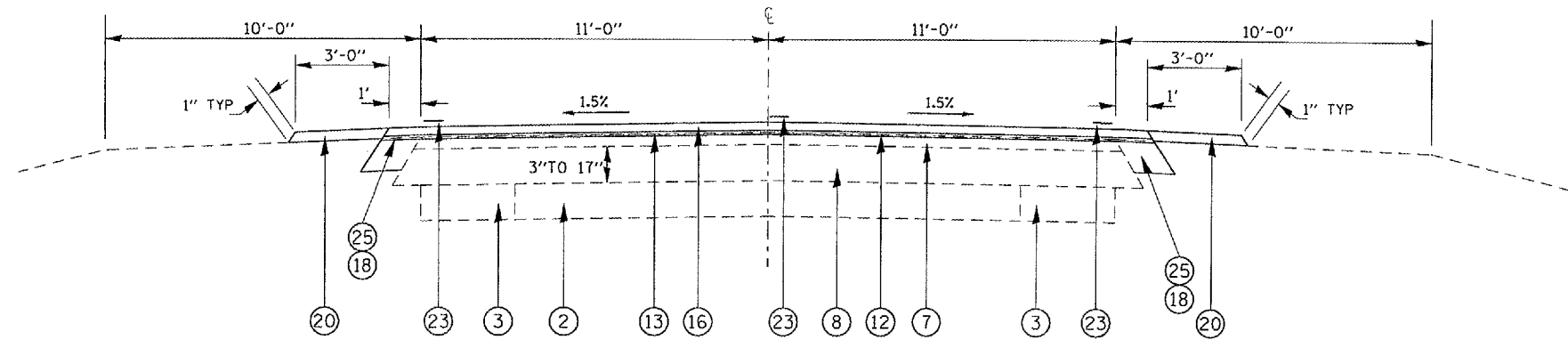


F.A.P. RTE.	SECTION	COUNTY	TOTAL SHEETS	SHEET NO.
662		MACOUPIN	74	28
STA.		TO STA.		
FED. ROAD DIST. NO.	ILLINOIS	FED. AID PROJECT		

• 102 (RS-1); (V,T) R-2; SRS-4



PART A STA 378+78.00 TO STA 379+90.00  
 STA 379+90.00 TO STA 381+45.00 - NO (3) EX - (11) OVER 17" THICK  
 STA 381+45.00 TO STA 383+40.00

LEGEND

- (1) EX PCC PAVEMENT, 9"
- (2) EX PCC PAVEMENT, 7"-8"-7"
- (3) EX PCC BASE COURSE WIDENING, 8"
- (4) EX PCC BASE COURSE WIDENING, 9"
- (5) EX BITUMINOUS BASE COURSE WIDENING, 8"
- (6) EX PCC BASE COURSE, 8"
- (7) EX BITUMINOUS CONC. SURFACE
- STA 129+96.00 TO STA 131+20.00 - 2 1/2"
- STA 131+20.00 TO STA 265+80.00 - 0"
- STA 265+80.00 TO STA 321+81.00 - 7" ± 1"
- STA 321+81.00 TO STA 349+61.00 - 0"
- STA 349+61.00 TO STA 399+40.00 - 7" ± 2"
- STA 399+40.00 TO STA 478+00.00 - 0"
- (8) EX SUB-BASE GRANULAR MATERIAL
- (9) EX CONCRETE GUTTER, TYPE B (TO BE REMOVED)
- (10) EX STEEL PLATE BEAM GUARDRAIL
- (11) EX COMBINATION CONC. CURB & GUTTER
- (12) PR BIT. SURFACE REMOVAL, VAR. DEPTH
- (13) PR LEVELING BINDER (MACHINE METHOD), SUPERPAVE, 3/4" AVG. (SEE BIT. MIXTURE TABLE)
- (14) PR LEVELING BINDER (MACHINE METHOD), SUPERPAVE, 1" AVG. (SEE BIT. MIXTURE TABLE)
- (15) PR LEVELING BINDER (MACHINE METHOD) SUPERPAVE, VAR. DEPTH (1/2" MIN) (SEE BIT. MIXTURE TABLE)
- (16) PR BIT. CONCRETE SURFACE COURSE, SUPERPAVE 1 1/2" (SEE BIT. MIXTURE TABLE)
- (17) PR BIT. SHLDS, SUPERPAVE, 2-1 1/2" (SEE BIT. MIXTURE TABLE)
- (18) PR BIT. SHLDS, SUPERPAVE, 8" (SEE BIT. MIXTURE TABLE)
- (19) PR BIT. SHLDS, SUPERPAVE, 8" (SEE BIT. MIXTURE TABLE)
- (20) PR AGG. SHLDS., TYPE B
- (21) PR CONC. GUTTER, TY-A (STD 606101)
- (22) PR PREFORMED PLASTIC PAVMENT MARKING, TY-B, LINE - 5"
- (23) PR PAINT PAVMENT MARKING, LINE - 5"
- (24) PR GRADING AND SHAPING SHOULDERS
- (25) PR EXCAVATING AND GRADING EX SHLD.
- (26) PR EXCAVATING AND GRADING EX SHLD., SPECIAL
- (27) PR EARTH EXCAVATION WIDENING
- (28) PR EARTH EMBANKMENT
- (29) PR BIT. BASE COURSE WIDENING, SUPERPAVE, 10" (SEE BIT. MIXTURE TABLE)

REVISIONS	
NAME	DATE

ILLINOIS DEPARTMENT OF TRANSPORTATION  
**PART A**  
**TYPICAL SECTIONS**

SCALE: VERT.      DRAWN BY MAW  
 HORIZ.              CHECKED BY  
 DATE 04-07-03

• DGN-SPEC  
 • DATE-TIME  
 • REF#1