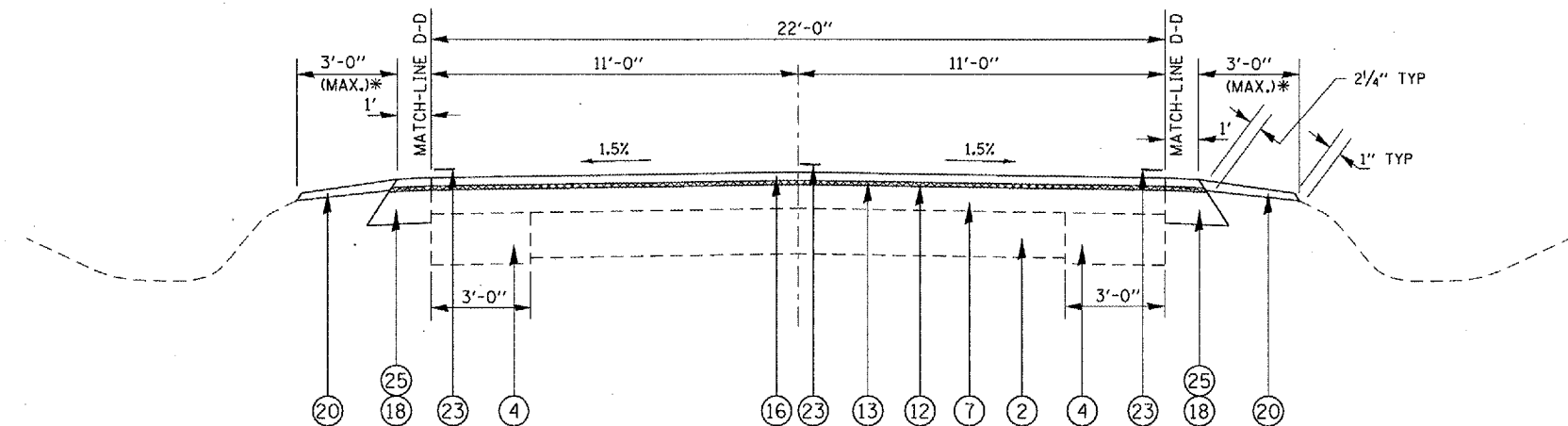


F.A.P. RTE.	SECTION	COUNTY	TOTAL SHEETS	SHEET NO.
662		MACOUPIN	74	29
STA.		TO STA.		
FED. ROAD DIST. NO.		ILLINOIS	FED. AID PROJECT	

• 102 (RS-1) (V,T) R-2; SRS-4)

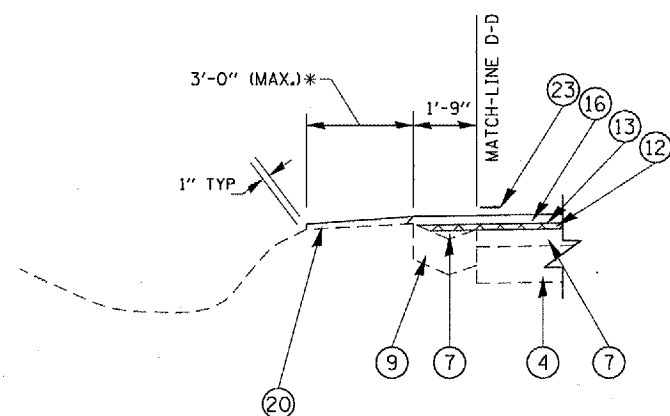
LEGEND

- ① EX PCC PAVEMENT, 9"
- ② EX PCC PAVEMENT, 7"-8"-7"
- ③ EX PCC BASE COURSE WIDENING, 8"
- ④ EX PCC BASE COURSE WIDENING, 9"
- ⑤ EX BITUMINOUS BASE COURSE WIDENING, 8"
- ⑥ EX PCC BASE COURSE, 8"
- ⑦ EX BITUMINOUS CONC. SURFACE
- ⑧ STA 38+00.00 TO STA 140+60.00 - 7"
- ⑨ STA 140+60.00 TO STA 150+00.00 - 5 1/2"
- ⑩ STA 150+00.00 TO STA 153+24.00 - 5 1/2" + 2"(TOP LIFT)
- ⑪ STA 153+24.00 TO STA 154+07.00 - 2"
- ⑫ STA 154+07.00 TO STA 157+70.00 - 5 1/2" + 2"(TOP LIFT)
- ⑬ STA 157+70.00 TO STA 259+79.19(BK) - 7"
- ⑭ EX SUB-BASE GRANULAR MATERIAL
- ⑮ EX CONCRETE GUTTER, TYPE B
- ⑯ EX STEEL PLATE BEAM GUARDRAIL
- ⑰ EX COMBINATION CONC. CURB & GUTTER
- ⑱ PR BIT. SURFACE REMOVAL, VAR. DEPTH
- ⑲ PR LEVELING BINDER (MACHINE METHOD), SUPERPAVE, 3/4" AVG. (SEE BIT. MIXTURE TABLE)
- ⑳ PR LEVELING BINDER (MACHINE METHOD), SUPERPAVE, 1" AVG. (SEE BIT. MIXTURE TABLE)
- ㉑ PR LEVELING BINDER (MACHINE METHOD) SUPERPAVE, VAR. DEPTH (1/2" MIN) (SEE BIT. MIXTURE TABLE)
- ㉒ PR BIT. CONCRETE SURFACE COURSE, SUPERPAVE 1 1/2" (SEE BIT. MIXTURE TABLE)
- ㉓ PR BIT. SHLDS, SUPERPAVE, 2-1/2" (SEE BIT. MIXTURE TABLE)
- ㉔ PR BIT. SHLDS, SUPERPAVE, 8" (SEE BIT. MIXTURE TABLE)
- ㉕ PR BIT. SHLDS, SUPERPAVE, 8" (SEE BIT. MIXTURE TABLE)
- ㉖ PR AGG. SHLDS., TYPE B
- ㉗ PR CONC. GUTTER, TY-A (STD 606101)
- ㉘ PR PREFORMED PLASTIC PAVMENT MARKING, TY-B, LINE - 5"
- ㉙ PR PAINT PAVMENT MARKING, LINE - 5"
- ㉚ PR GRADING AND SHAPING SHOULDERS
- ㉛ PR EXCAVATING AND GRADING EX SHLD.
- ㉜ PR EXCAVATING AND GRADING EX SHLD., SPECIAL
- ㉝ PR EARTH EXCAVATION WIDENING
- ㉞ PR EARTH EMBANKMENT
- ㉟ PR BIT. BASE COURSE WIDENING, SUPERPAVE, 10" (SEE BIT. MIXTURE TABLE)



PART B STA 38+00.00 TO STA 140+60.00
 STA 140+60.00 TO STA 150+00.00
 STA 157+70.00 TO STA 201+90.00
 STA 201+90.00 TO STA 202+00.00 - RAILROAD OMISSION
 STA 202+00.00 TO STA 259+79.19 (BK)

NOTE: AT CH 56 (LT STA 255+00 ±), A NEW PCC PAVEMENT HAS BEEN CONSTRUCTED UP TO THE EDGE OF IL 4 PAVEMENT; THEREFORE, MILL 2 1/4" & RESURF. 2 1/4" TO CREATE A BUTT JOINT AT EDGE OF PAVEMENT OF IL 4



STATION EQUATION

PART B STA 259+79.19 (BK) = STA 478+00.00 (BK)

EX GUTTER SECTION

LT & RT STA 143+20.00 TO STA 150+00.00
 LT & RT STA 246+16.00 TO STA 259+79.19 (BK)

REVISIONS		ILLINOIS DEPARTMENT OF TRANSPORTATION
NAME	DATE	
		<p>PART B TYPICAL SECTIONS</p> <p>SCALE: VERT. _____ HORIZ. _____ DATE 04-07-03</p> <p>DRAWN BY MAW CHECKED BY _____</p>