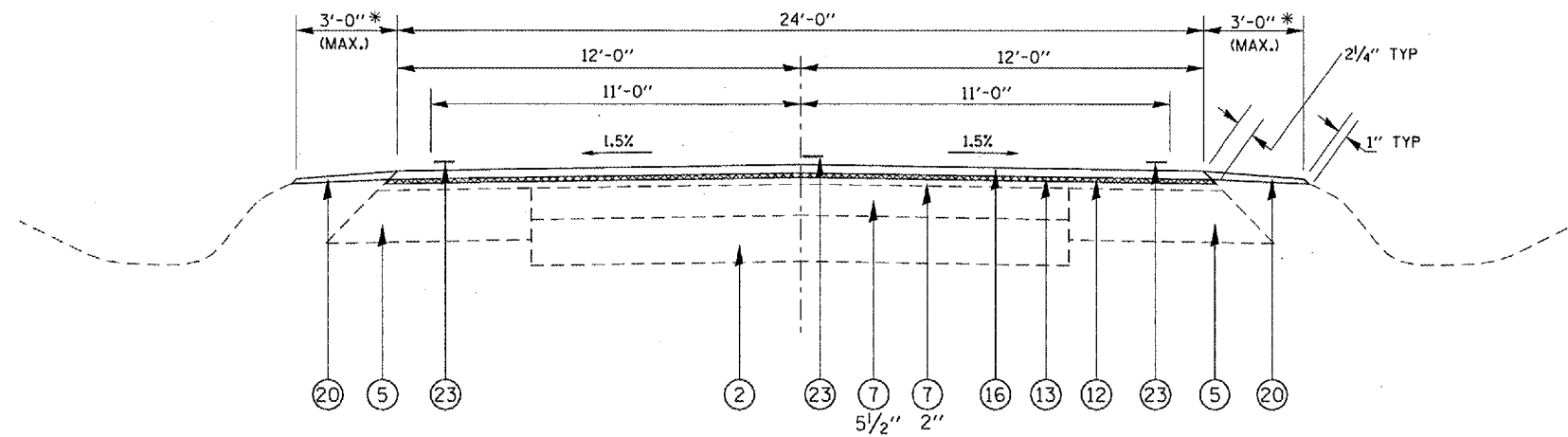


F.A.P. RTE.	SECTION	COUNTY	TOTAL SHEETS
662	-	MACOUPIN	74 30
STA.		TO STA.	
FED. ROAD DIST. NO.		ILLINOIS FED. AID PROJECT	

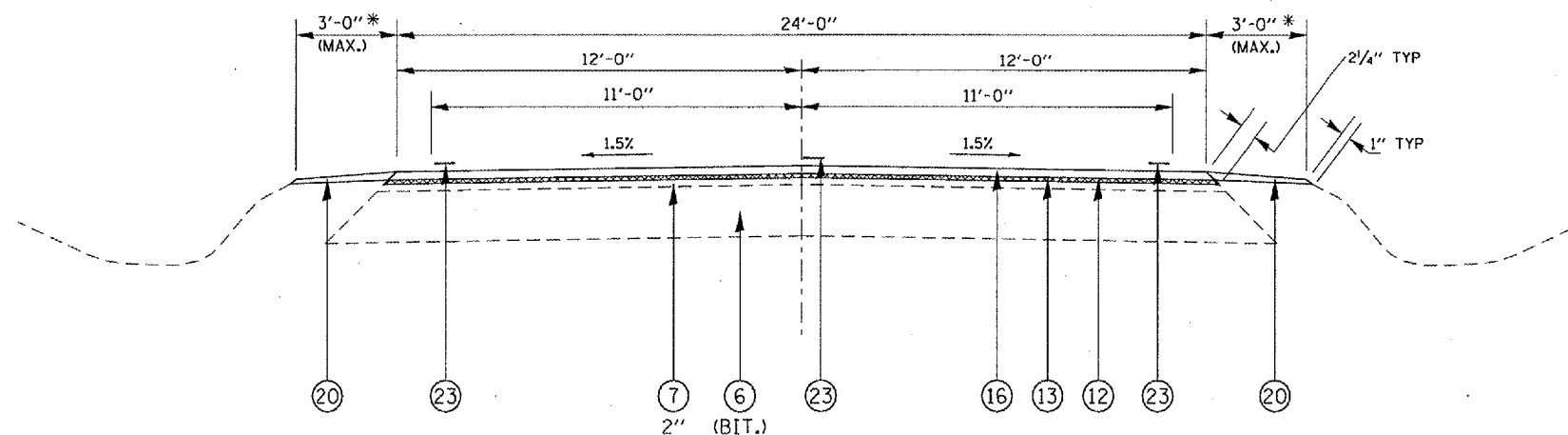
• 10Z (RS-1); (V,T) R-2; SRS-4)

LEGEND

- ① EX PCC PAVEMENT, 9"
- ② EX PCC PAVEMENT, 7'-8"-7"
- ③ EX PCC BASE COURSE WIDENING, 8"
- ④ EX PCC BASE COURSE WIDENING, 9"
- ⑤ EX BITUMINOUS BASE COURSE WIDENING, 8"
- ⑥ EX PCC BASE COURSE, 8"
- ⑦ EX BITUMINOUS CONC. SURFACE
- STA 38+00.00 TO STA 140+60.00 - 7"
- STA 140+60.00 TO STA 150+00.00 - 5 1/2"
- STA 150+00.00 TO STA 153+24.00 - 5 1/2" + 2"(TOP LIFT)
- STA 153+24.00 TO STA 154+07.00 - 2"
- STA 154+07.00 TO STA 157+70.00 - 5 1/2" + 2"(TOP LIFT)
- STA 157+70.00 TO STA 259+79.19(BK) - 7"
- ⑧ EX SUB-BASE GRANULAR MATERIAL
- ⑨ EX CONCRETE GUTTER, TYPE B
- ⑩ EX STEEL PLATE BEAM GUARDRAIL
- ⑪ EX COMBINATION CONC. CURB & GUTTER
- ⑫ PR BIT. SURFACE REMOVAL, VAR. DEPTH
- ⑬ PR LEVELING BINDER (MACHINE METHOD), SUPERPAVE, 3/4" AVG. (SEE BIT. MIXTURE TABLE)
- ⑭ PR LEVELING BINDER (MACHINE METHOD), SUPERPAVE, 1" AVG. (SEE BIT. MIXTURE TABLE)
- ⑮ PR LEVELING BINDER (MACHINE METHOD) SUPERPAVE, VAR. DEPTH (1/2" MIN) (SEE BIT. MIXTURE TABLE)
- ⑯ PR BIT. CONCRETE SURFACE COURSE, SUPERPAVE 1 1/2" (SEE BIT. MIXTURE TABLE)
- ⑰ PR BIT. SHLDS, SUPERPAVE, 2-1/2" (SEE BIT. MIXTURE TABLE)
- ⑱ PR BIT. SHLDS, SUPERPAVE, 8" (SEE BIT. MIXTURE TABLE)
- ⑲ PR BIT. SHLDS, SUPERPAVE, 8" (SEE BIT. MIXTURE TABLE)
- ⑳ PR AGG. SHLDS., TYPE B
- ㉑ PR CONC. GUTTER, TY-A (STD 606101)
- ㉒ PR PREFORMED PLASTIC PAVMENT MARKING, TY-B, LINE - 5"
- ㉓ PR PAINT PAVMENT MARKING, LINE - 5"
- ㉔ PR GRADING AND SHAPING SHOULDERS
- ㉕ PR EXCAVATING AND GRADING EX SHLD.
- ㉖ PR EXCAVATING AND GRADING EX SHLD., SPECIAL
- ㉗ PR EARTH EXCAVATION WIDENING
- ㉘ PR EARTH EMBANKMENT
- ㉙ PR BIT. BASE COURSE WIDENING, SUPERPAVE, 10" (SEE BIT. MIXTURE TABLE)



PART B STA 150+00.00 TO STA 153+24.00
STA 154+07.00 TO STA 157+70.00



PART B STA 153+24.00 TO STA 154+07.00

REVISIONS		ILLINOIS DEPARTMENT OF TRANSPORTATION
NAME	DATE	
		PART B TYPICAL SECTIONS

SCALE: VERT. DATE 04-07-03
DRAWN BY MAW
CHECKED BY