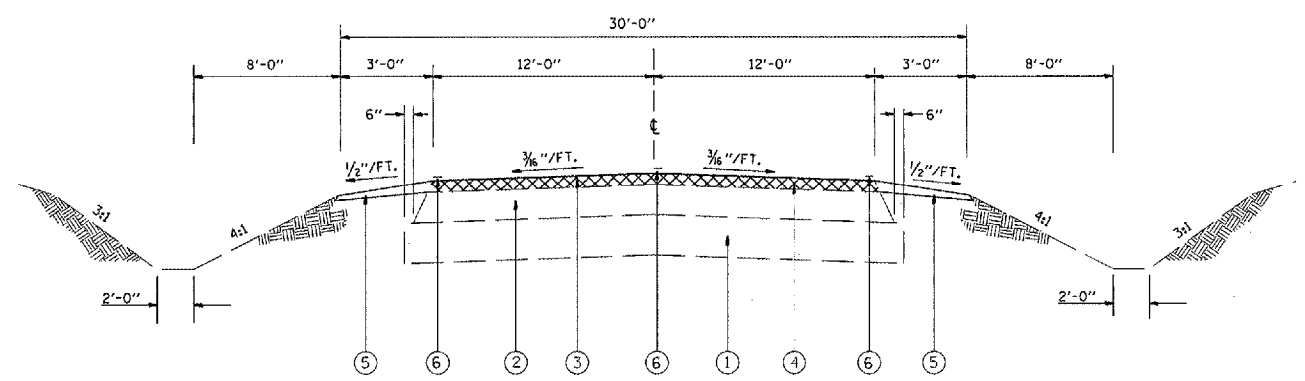


F.A.S. SHEET:	SECTION	COUNTY	TOTAL SHEETS	SHEET NO.
1645	150RS	SANGAMON	28	6
STA.	TO STA.			
FED. ROAD DIST. NO. 5	ILLINOIS	FED. AID PROJECT		
CONTRACT NO. 72876				

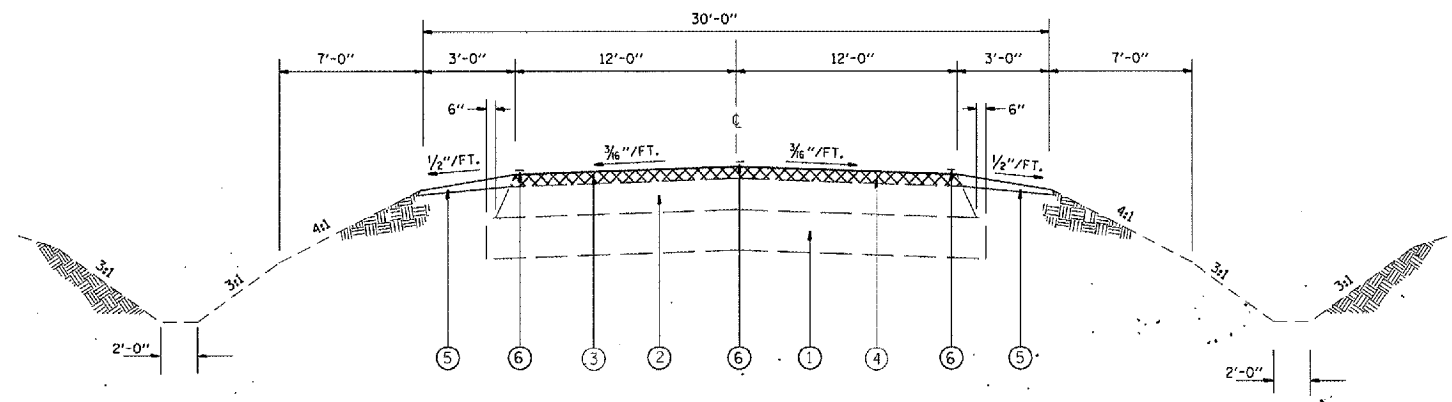
LEGEND

- ① EXISTING 12" LIME MODIFIED SOIL
- ② EXISTING BITUMINOUS CONCRETE PAVEMENT (FULL DEPTH) 12 1/2"
- ③ PROPOSED BITUMINOUS SURFACE REMOVAL - 1 3/4"
- ④ PROPOSED BITUMINOUS CONCRETE SURFACE COURSE, SUPERPAVE, MIX C, N50 - 2"
- ⑤ PROPOSED AGGREGATE SHOULDER WEDGE, TYPE B
- ⑥ PROPOSED PAINT PAVEMENT MARKING LINE, 5"

NOTE: SUPER ELEVATED PAVEMENT SECTION
FROM STA 198+71.47 TO STA 199+75



STA 57+25 TO STA 95+30
STA 99+30 TO STA 186+15.09



STA 95+30 TO STA 99+30

REVISIONS	
NAME	DATE

ILLINOIS DEPARTMENT OF TRANSPORTATION

TYPICAL SECTIONS
F.A.S. ROUTE 1645
SECTION 150RS
SANGAMON COUNTY