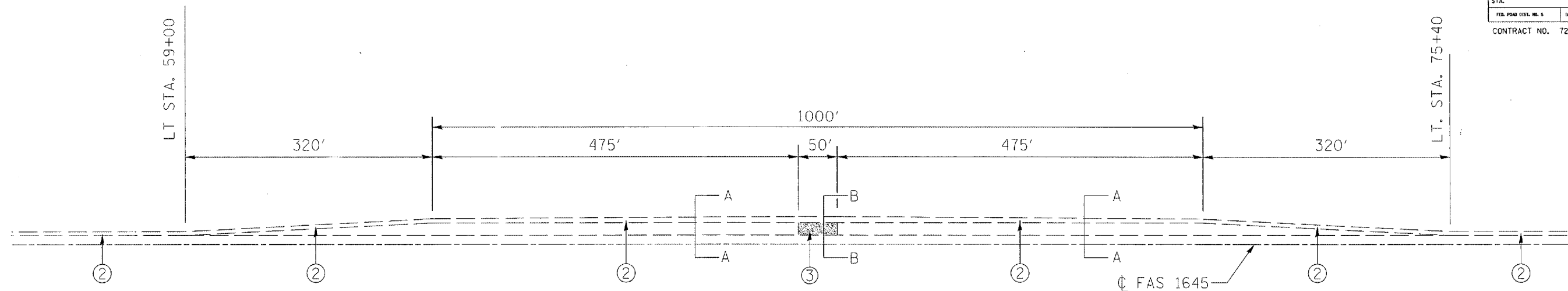
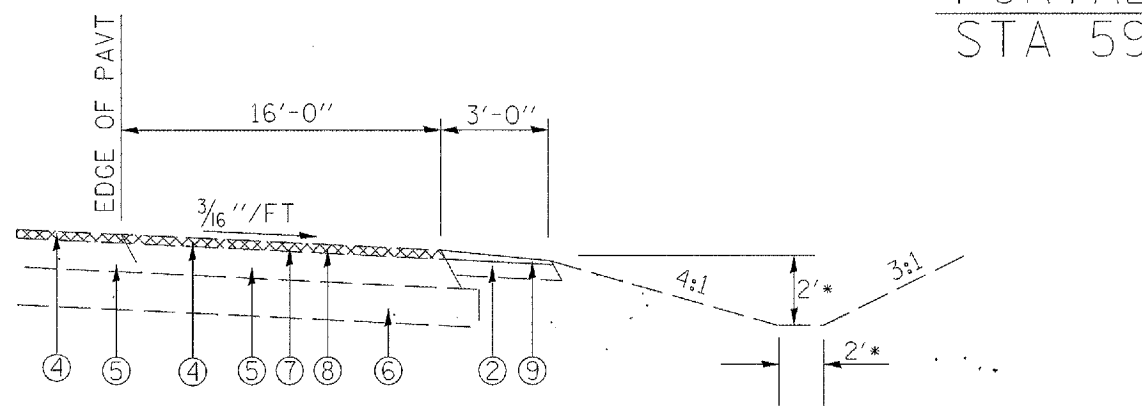


F. A. REF.	SECTION	COUNTY	TOTAL SHEETS	SHEET NO.
1645	150RS	SANGAMON	28	23
STA.		TO STA.		
FED. ROAD DIST. NO. 5		ILLINOIS	FED. AID PROJECT	
CONTRACT NO. 72876				

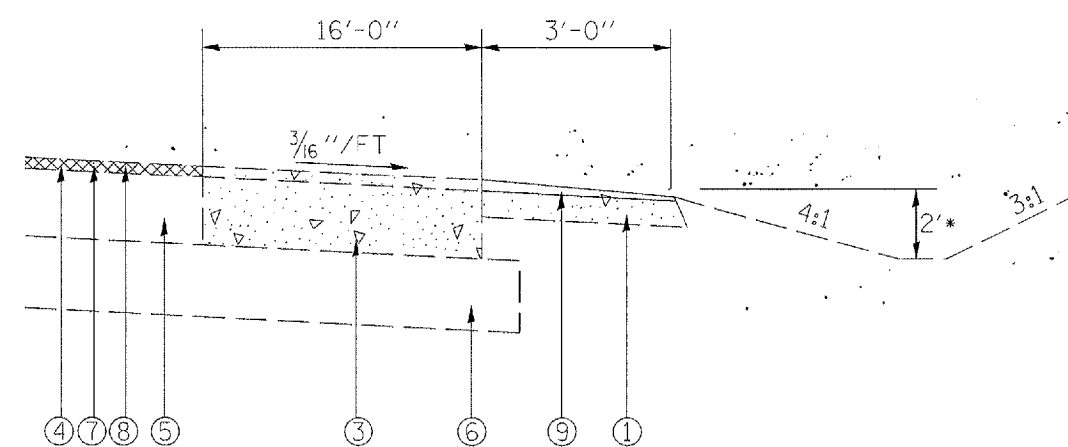


PORTABLE SCALE TURNOUT
STA 59+00 TO STA 75+40



SECTION A-A

* OR AS SHOWN ON PLANS



SECTION B-B

LEGEND

- ① EXIST AGGREGATE SURFACE COURSE, TYPE A, 8"
- ② EXIST AGGREGATE SURFACE COURSE, TYPE A, 6"
- ③ EXIST PORTLAND CEMENT CONCRETE PAVEMENT 12 1/2" & PAVEMENT FABRIC
- ④ EXIST BITUMINOUS CONCRETE SURFACE COURSE, MIX C, CLASS 1, TYPE 2, 1 1/2"
- ⑤ EXIST BITUMINOUS CONCRETE BINDER COURSE, MIX B, TYPE S, 11"
BITUMINOUS CONCRETE PAVEMENT (FULL DEPTH) TYPE 2, 12 1/2"
- ⑥ EXIST LIME MODIFIED SOIL 12"
- ⑦ PROP BIT SURFACE REMOVAL - 1 3/4"
- ⑧ PROP BIT CONCRETE SURFACE COURSE, SUPERPAVE, MIX C, N50 - 2"
- ⑨ PROP AGGREGATE SHLD WEDGE, TYPE B

REVISIONS	
NAME	DATE

ILLINOIS DEPARTMENT OF TRANSPORTATION
PORTABLE SCALE TURNOUT
F.A.S. ROUTE 1645
SECTION 150RS
SANGAMON COUNTY