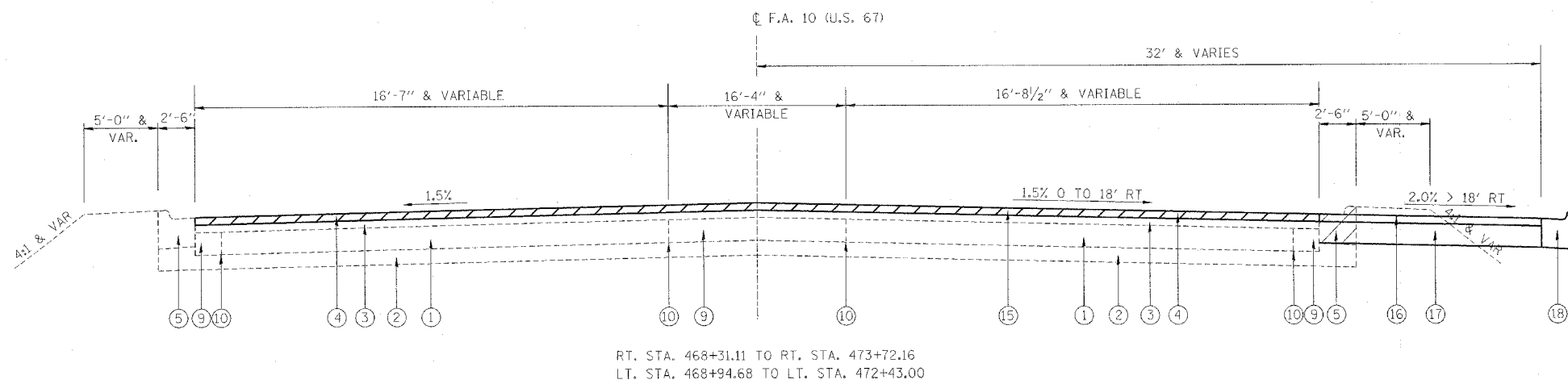
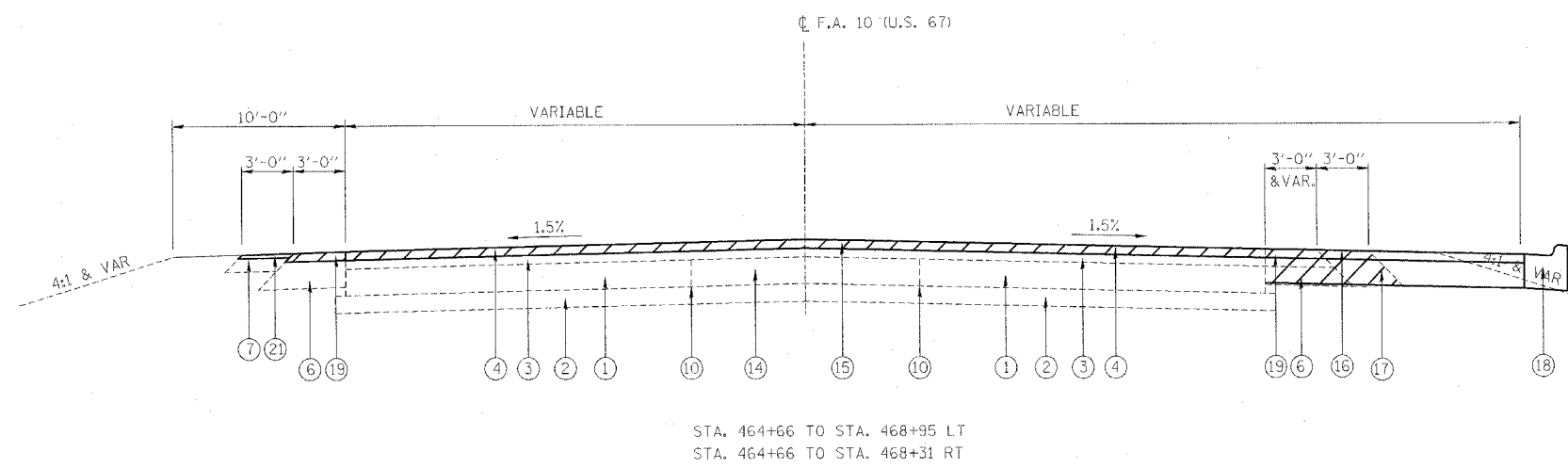
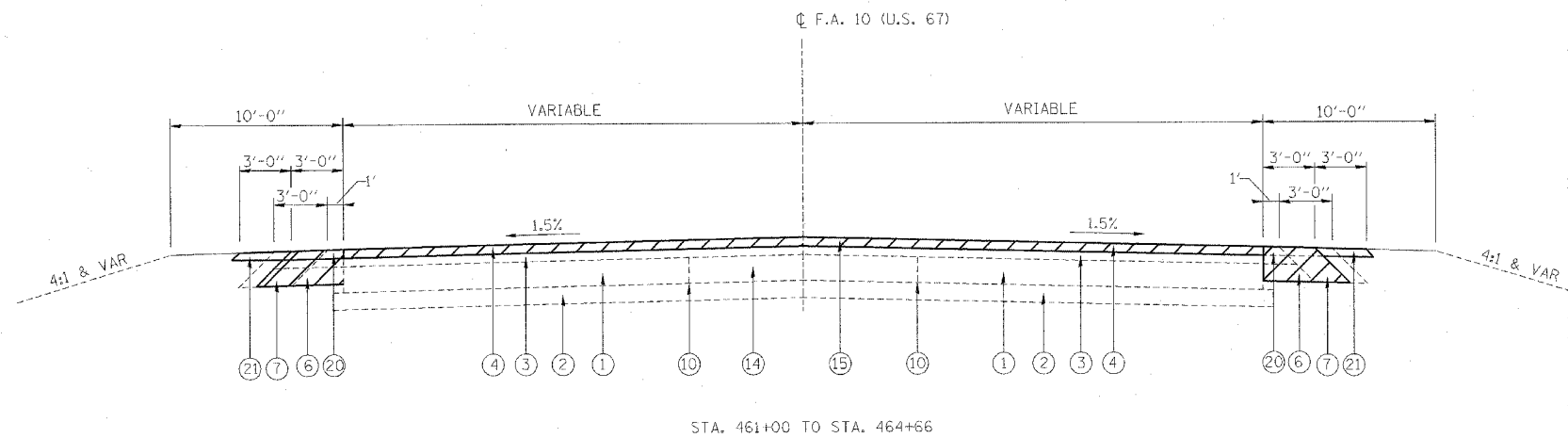


F.A.P. RTE.	SECTION	COUNTY	TOTAL SHEETS	SHEET NO.
310		SCHUYLER	46	11
STA.		TO STA.		
FED. ROAD DIST. NO.		ILLINOIS	FED. AID PROJECT	

• (87-1)I-1, TS-2



- LEGEND**
- ① EXISTING P.C.C. BASE COURSE 8"
 - ② EXISTING SUBBASE GRANULAR MATERIAL 6"
 - ③ EXISTING BITUMINOUS CONCRETE BINDER COURSE, MIXTURE B, TYPE 2-1/2"
 - ④ EXISTING BITUMINOUS CONCRETE SURFACE COURSE, MIXTURE D, CLASS I, TYPE 2-1/2"
 - ⑤ EXISTING COMBINATION CONCRETE CURB & GUTTER, TYPE B-6.24
 - ⑥ EXISTING BITUMINOUS SHOULDER 8"
 - ⑦ EXISTING AGGREGATE SHOULDERS, TYPE A, 8"
 - ⑧ EXISTING 9"-6"-9" P.C.C. PAVEMENT
 - ⑨ EXISTING P.C.C. BASE COURSE WIDENING
 - ⑩ EXISTING WIDENING JOINT
 - ⑪ EXISTING AGGREGATE SHOULDER TY. B (3" TO 1")
 - ⑫ EXISTING EARTH SHOULDERS
 - ⑬ EXISTING CONCRETE MEDIAN
 - ⑭ EXISTING BITUMINOUS BASE COURSE 9"
 - ⑮ PROPOSED BITUMINOUS SURFACE REMOVAL, 2", , AND BITUMINOUS SURFACE COURSE, 2"
 - ⑯ PROPOSED BITUMINOUS SURFACE COURSE, 2"
 - ⑰ PROPOSED BITUMINOUS BASE COURSE, 11"
 - ⑱ PROPOSED CONCRETE CURB & GUTTER, TY B 6.24
 - ⑲ PROPOSED BITUMINOUS SURFACE REMOVAL 2", PROPOSED BITUMINOUS SHOULDER, 2"
 - ⑳ PROPOSED BITUMINOUS SHOULDER, 8"
 - ㉑ PROPOSED AGGREGATE SHOULDER

REVISIONS	
NAME	DATE

ILLINOIS DEPARTMENT OF TRANSPORTATION

TYPICAL SECTIONS

FAP 310
SECTION (87-1)I-1, TS-2
SCHUYLER COUNTY

SCALE: VERT. NOT TO SCALE
HORIZ. DATE: FEB 2005

DRAWN BY JJB
CHECKED BY VJM

PLOT DATE = 4/7/2005
FILE NAME = c:\projects\ad65218\autoplots.dgn
PLOT SCALE = 5/8" = 1' IN.