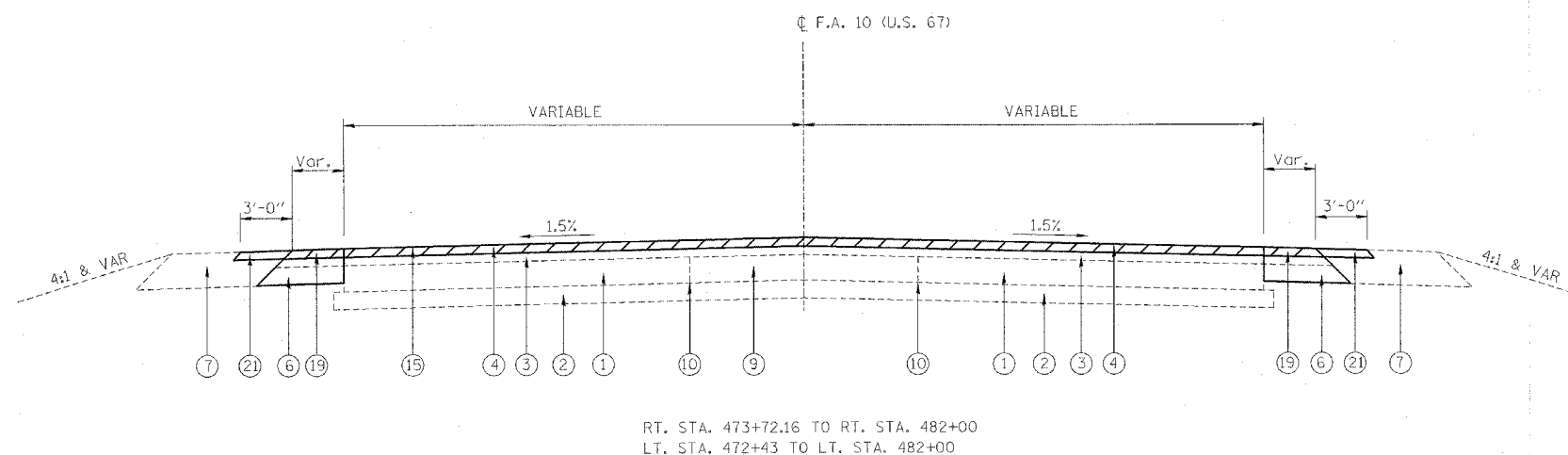


F.A.P. RTE.	SECTION	COUNTY	TOTAL SHEETS	SHEET NO.
310	*	SCHUYLER	46	12
STA.		TO STA.		
FED. ROAD DIST. NO.	ILLINOIS	FED. AID PROJECT		

* (87-11-1, TS-2)



LEGEND

- ① EXISTING P.C.C. BASE COURSE 8"
- ② EXISTING SUBBASE GRANULAR MATERIAL 6"
- ③ EXISTING BITUMINOUS CONCRETE BINDER COURSE, MIXTURE B, TYPE 2-1/2"
- ④ EXISTING BITUMINOUS CONCRETE SURFACE COURSE, MIXTURE D, CLASS I, TYPE 2-1/2"
- ⑤ EXISTING COMBINATION CONCRETE CURB & GUTTER, TYPE B-6.24
- ⑥ EXISTING BITUMINOUS SHOULDER 8"
- ⑦ EXISTING AGGREGATE SHOULDERS, TYPE A, 8"
- ⑧ EXISTING 9"-6"-9" P.C.C. PAVEMENT
- ⑨ EXISTING P.C.C. BASE COURSE WIDENING
- ⑩ EXISTING WIDENING JOINT
- ⑪ EXISTING AGGREGATE SHOULDER TY. B (3" TO 1")
- ⑫ EXISTING EARTH SHOULDERS
- ⑬ EXISTING CONCRETE MEDIAN
- ⑭ EXISTING BITUMINOUS BASE COURSE 9"
- ⑮ PROPOSED BITUMINOUS SURFACE REMOVAL, 2", ., AND BITUMINOUS SURFACE COURSE, 2"
- ⑯ PROPOSED BITUMINOUS SURFACE COURSE, 2"
- ⑰ PROPOSED BITUMINOUS BASE COURSE, 11"
- ⑱ PROPOSED CONCRETE CURB & GUTTER, TY B 6.24
- ⑲ PROPOSED BITUMINOUS SURFACE REMOVAL 2", PROPOSED BITUMINOUS SHOULDER, 2"
- ⑳ PROPOSED BITUMINOUS SHOULDER, 8"
- ㉑ PROPOSED AGGREGATE SHOULDER

PLOT DATE = 4/7/2005
 FILE NAME = c:\projects\6852104\shutupicola.dgn
 PLOT SCALE = 5.0000 1/1 IN.

REVISIONS		ILLINOIS DEPARTMENT OF TRANSPORTATION
NAME	DATE	
		TYPICAL SECTIONS
SCALE: VERT. NOT TO SCALE		DRAWN BY JJB
DATE : FEB 2005		CHECKED BY VJM