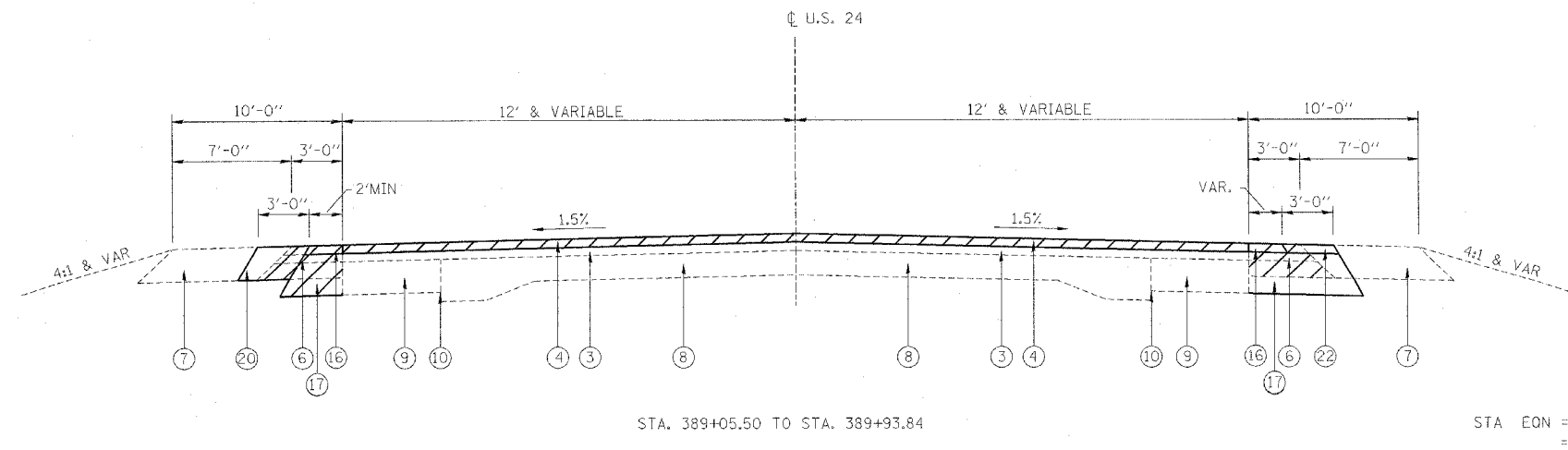
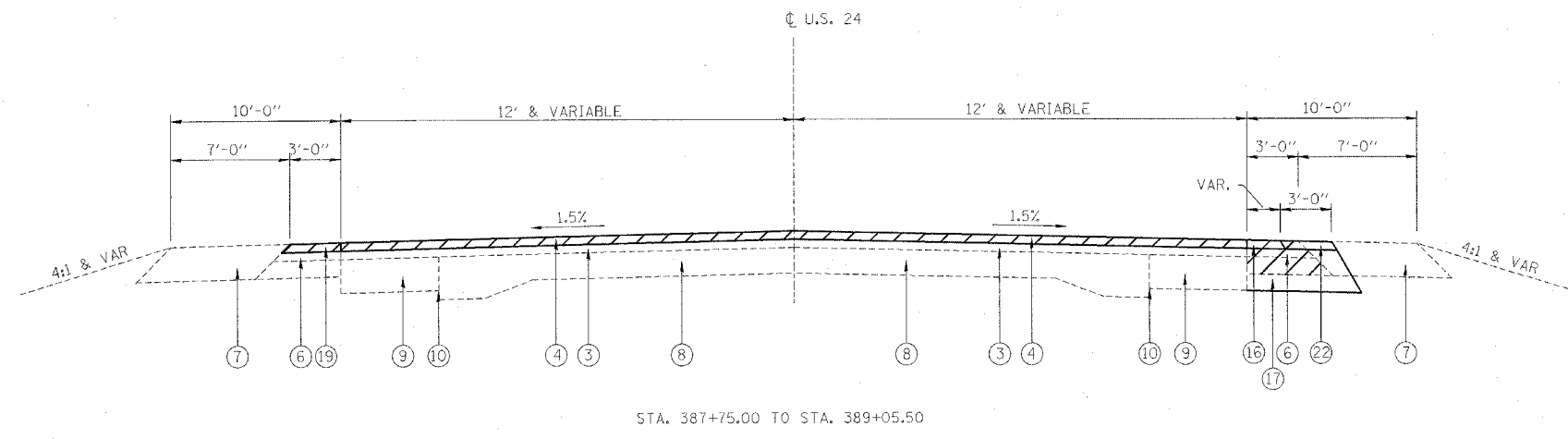
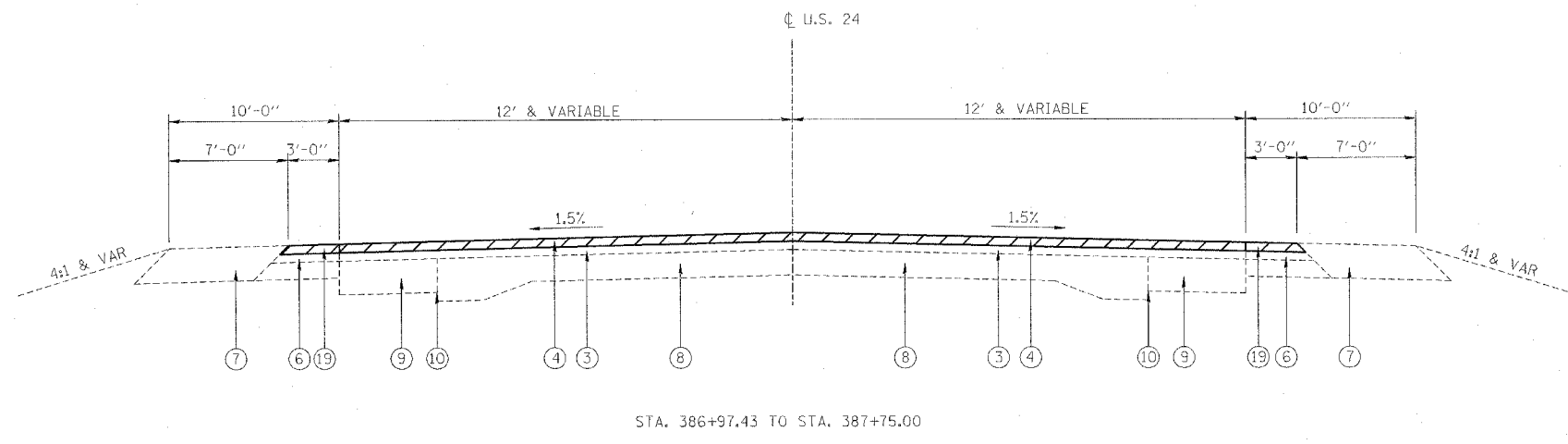


F.A.P. RTE.	SECTION	COUNTY	TOTAL SHEETS	SHEET NO.
310		SCHUYLER	46	13
STA.		TO STA.		
FED. ROAD DIST. NO.	ILLINOIS	FED. AID PROJECT		

• (87-111-1, TS-2



LEGEND

- ① EXISTING P.C.C. BASE COURSE 8"
- ② EXISTING SUBBASE GRANULAR MATERIAL 6"
- ③ EXISTING BITUMINOUS CONCRETE BINDER COURSE, MIXTURE B, TYPE 2-1/2"
- ④ EXISTING BITUMINOUS CONCRETE SURFACE COURSE, MIXTURE D, CLASS I, TYPE 2-1/2"
- ⑤ EXISTING COMBINATION CONCRETE CURB & GUTTER, TYPE B-6.24
- ⑥ EXISTING BITUMINOUS SHOULDER 8"
- ⑦ EXISTING AGGREGATE SHOULDERS, TYPE A, 8"
- ⑧ EXISTING 9"-6"-9" P.C.C. PAVEMENT
- ⑨ EXISTING P.P.C. BASE COURSE WIDENING
- ⑩ EXISTING WIDENING JOINT
- ⑪ EXISTING AGGREGATE SHOULDER TY. B (3" TO 1")
- ⑫ EXISTING EARTH SHOULDERS
- ⑬ EXISTING CONCRETE MEDIAN
- ⑭ EXISTING BITUMINOUS BASE COURSE 9"
- ⑮ PROPOSED BITUMINOUS SURFACE REMOVAL, 2", AND BITUMINOUS SURFACE COURSE, 2"
- ⑯ PROPOSED BITUMINOUS SURFACE COURSE, 2"
- ⑰ PROPOSED BITUMINOUS BASE COURSE, 11"
- ⑱ PROPOSED CONCRETE CURB & GUTTER, TY B 6.24
- ⑲ PROPOSED BITUMINOUS SURFACE REMOVAL 2", PROPOSED BITUMINOUS SHOULDER, 2"
- ⑳ PROPOSED BITUMINOUS SHOULDER, 8"
- ㉑ PROPOSED AGGREGATE SHOULDER
- ㉒ PROPOSED BITUMINOUS SHOULDER, 2"

REVISIONS	
NAME	DATE

ILLINOIS DEPARTMENT OF TRANSPORTATION  
**TYPICAL SECTIONS**  
 FAP 310  
 SECTION (87-111)-1, TS-2  
 SCHUYLER COUNTY  
 SCALE: VERT. NOT TO SCALE  
 HORIZ. NOT TO SCALE  
 DATE: FEB 2005  
 DRAWN BY JUB  
 CHECKED BY VJM

PLOT DATE = 4/7/2005  
 FILE NAME = \\s05210a\ah\ts\typical.dgn  
 PLOT SCALE = 5/8" = 1' / IN.

STA EQN = STA. 389+69.50 BK  
 = STA. 387+71.30 AH