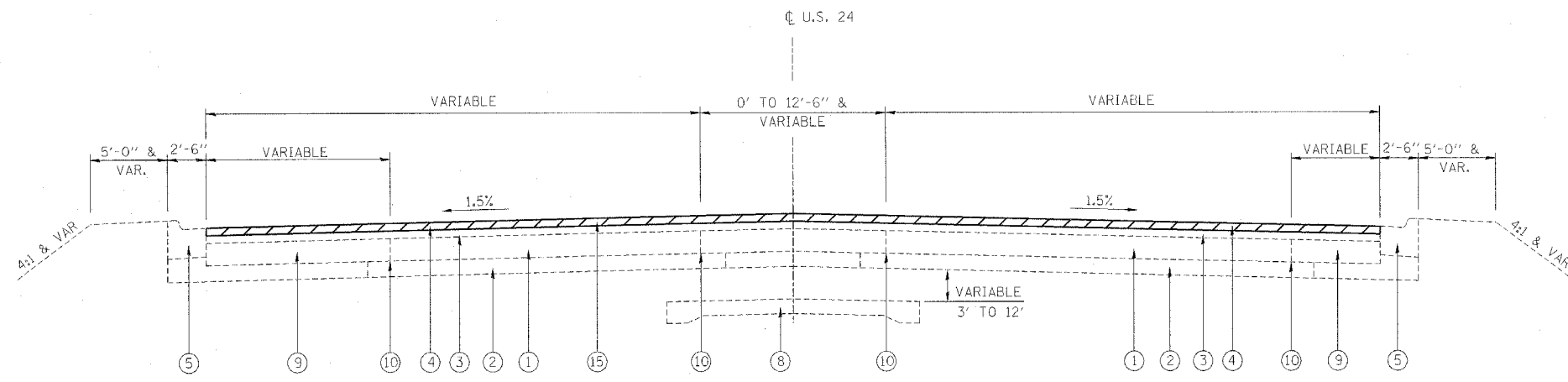
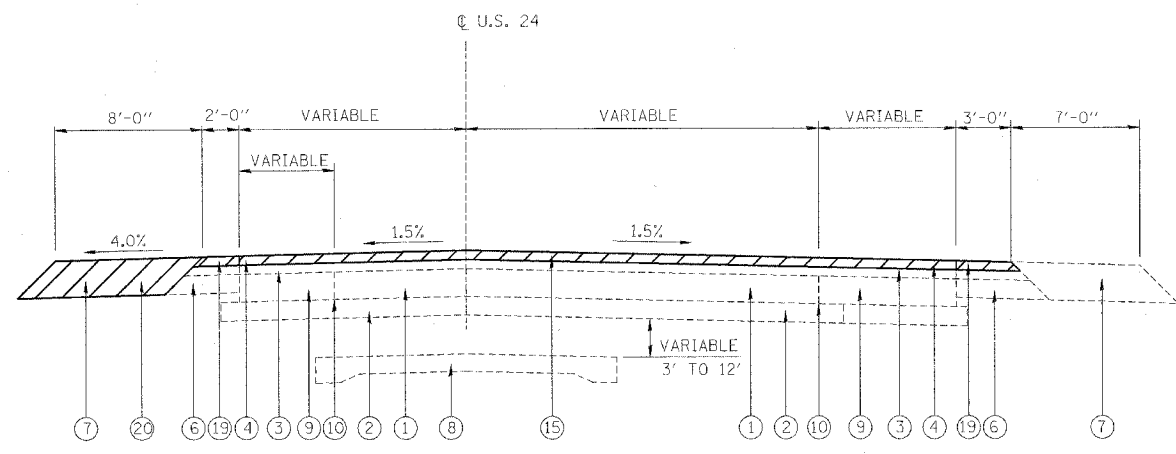


F.A.P. RTE.	SECTION	COUNTY	TOTAL SHEETS	SHEET NO.
310		SCHUYLER	46	15
STA.		TO STA.		
FED. ROAD DIST. NO.	ILLINOIS	FED. AID PROJECT		

• (87-111-1, TS-2



LT. STA. 391+08.26 TO LT. STA. 394+19.60
 RT. STA. 391+72.19 TO RT. STA. 393+80.00



RT. STA. 393+80 TO RT. STA. 395+54.68
 LT. STA. 394+19.60 TO LT. STA. 396+06.81

LEGEND

- ① EXISTING P.C.C. BASE COURSE 8"
- ② EXISTING SUBBASE GRANULAR MATERIAL 6"
- ③ EXISTING BITUMINOUS CONCRETE BINDER COURSE, MIXTURE B, TYPE 2-1/2"
- ④ EXISTING BITUMINOUS CONCRETE SURFACE COURSE, MIXTURE D, CLASS I, TYPE 2-1/2"
- ⑤ EXISTING COMBINATION CONCRETE CURB & GUTTER, TYPE B-6.24
- ⑥ EXISTING BITUMINOUS SHOULDER 8"
- ⑦ EXISTING AGGREGATE SHOULDERS, TYPE A, 8"
- ⑧ EXISTING 9"-6"-9" P.C.C. PAVEMENT
- ⑨ EXISTING P.P.C. BASE COURSE WIDENING
- ⑩ EXISTING WIDENING JOINT
- ⑪ EXISTING AGGREGATE SHOULDER TY. B (3" TO 1")
- ⑫ EXISTING EARTH SHOULDERS
- ⑬ EXISTING CONCRETE MEDIAN
- ⑭ EXISTING BITUMINOUS BASE COURSE 9"
- ⑮ PROPOSED BITUMINOUS SURFACE REMOVAL, 2", AND BITUMINOUS SURFACE COURSE, 2"
- ⑯ PROPOSED BITUMINOUS SURFACE COURSE, 2"
- ⑰ PROPOSED BITUMINOUS BASE COURSE, 11"
- ⑱ PROPOSED CONCRETE CURB & GUTTER, TY B 6.24
- ⑲ PROPOSED BITUMINOUS SURFACE REMOVAL 2", PROPOSED BITUMINOUS SHOULDER, 2"
- ⑳ PROPOSED BITUMINOUS SHOULDER, 8"
- ㉑ PROPOSED AGGREGATE SHOULDER

REVISIONS	
NAME	DATE

ILLINOIS DEPARTMENT OF TRANSPORTATION
TYPICAL SECTIONS
 FAP 310
 SECTION (87-111)-1, TS-2
 SCHUYLER COUNTY
 SCALE: VERT. NOT TO SCALE. HORIZ. NOT TO SCALE.
 DATE: FEB 2005
 DRAWN BY JJB
 CHECKED BY VJM