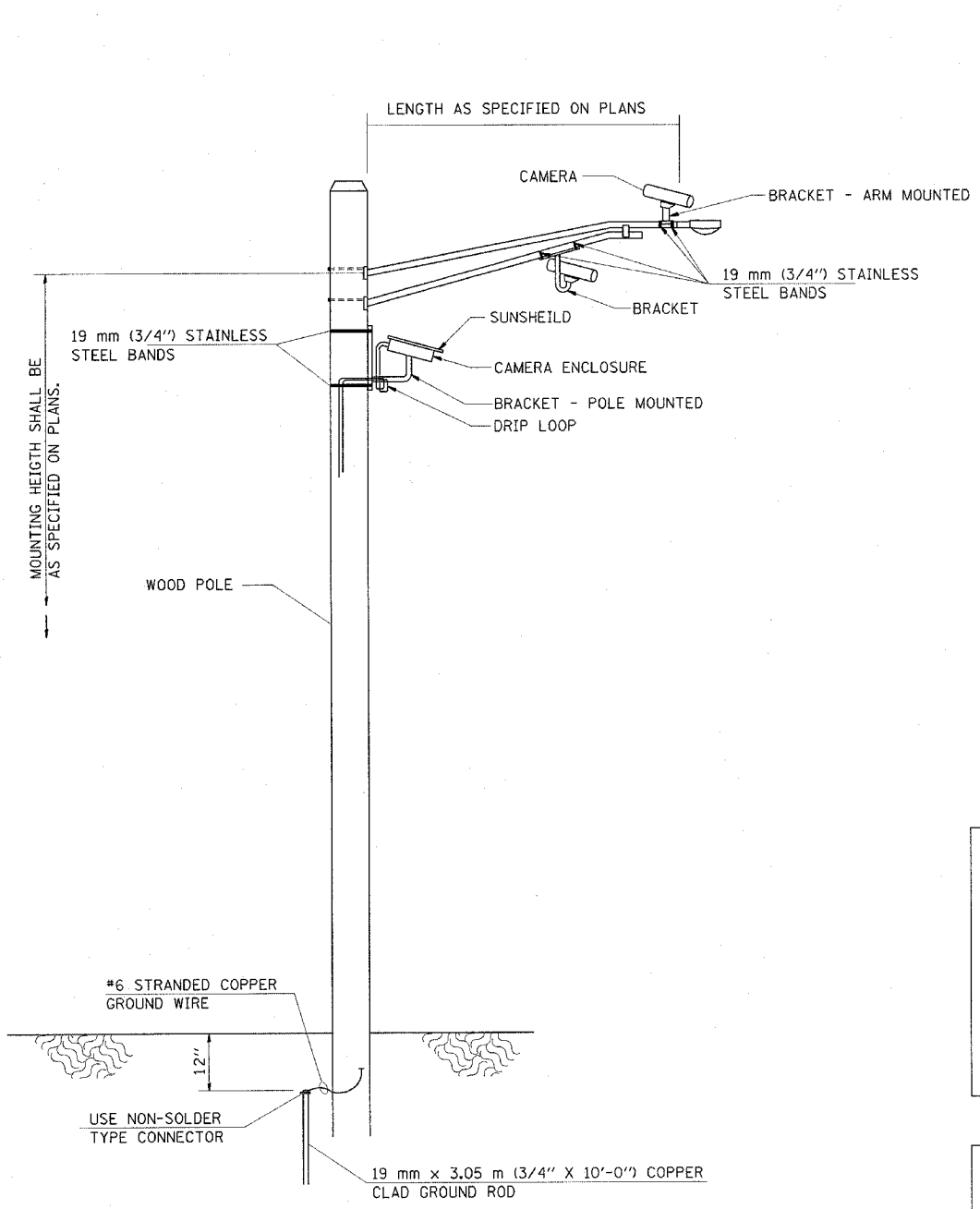
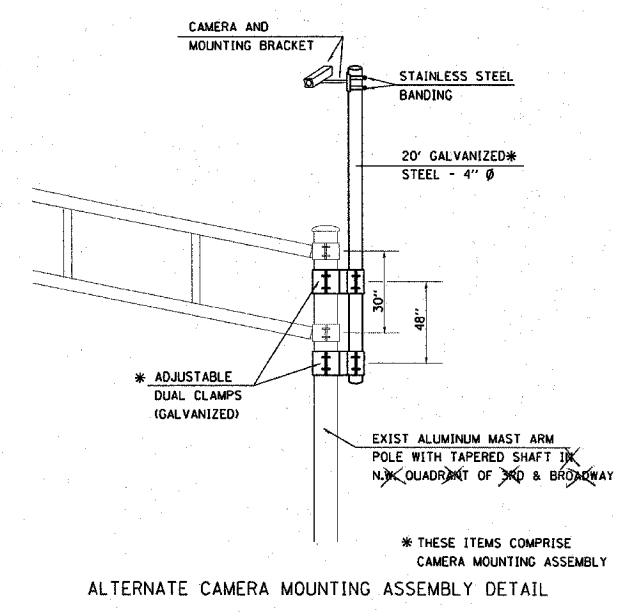
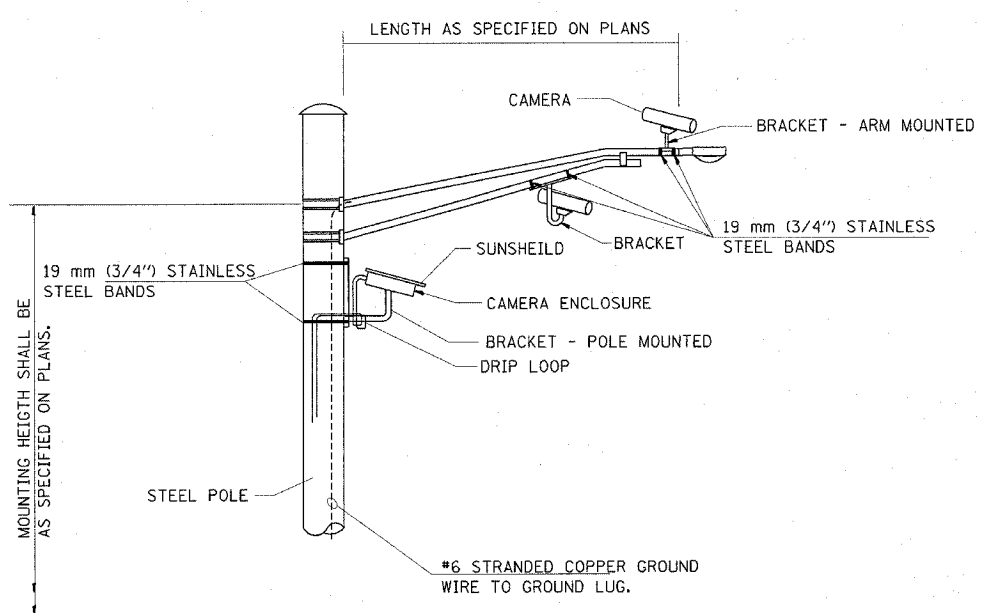


F.A.P. RTE.	SECTION	COUNTY	TOTAL SHEETS	SHEET NO.
310		SCHUYLER	46	27
STA.		TO STA.		
FED. ROAD DIST. NO.		ILLINOIS FED. AID PROJECT		

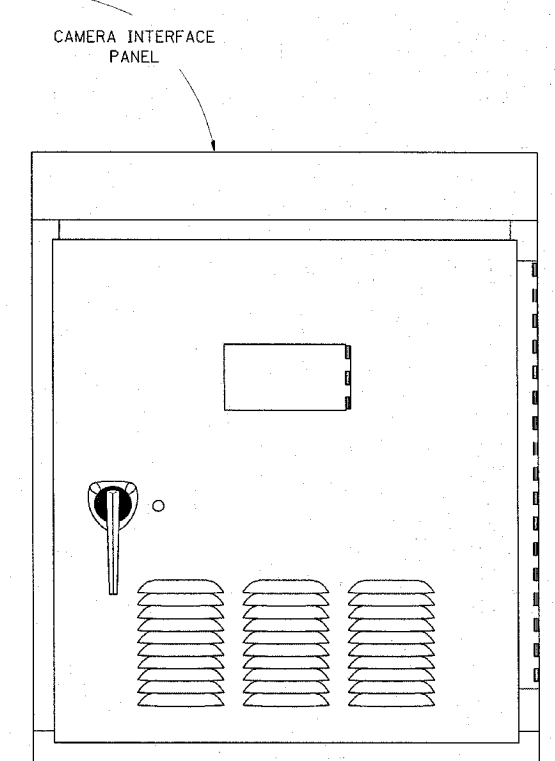
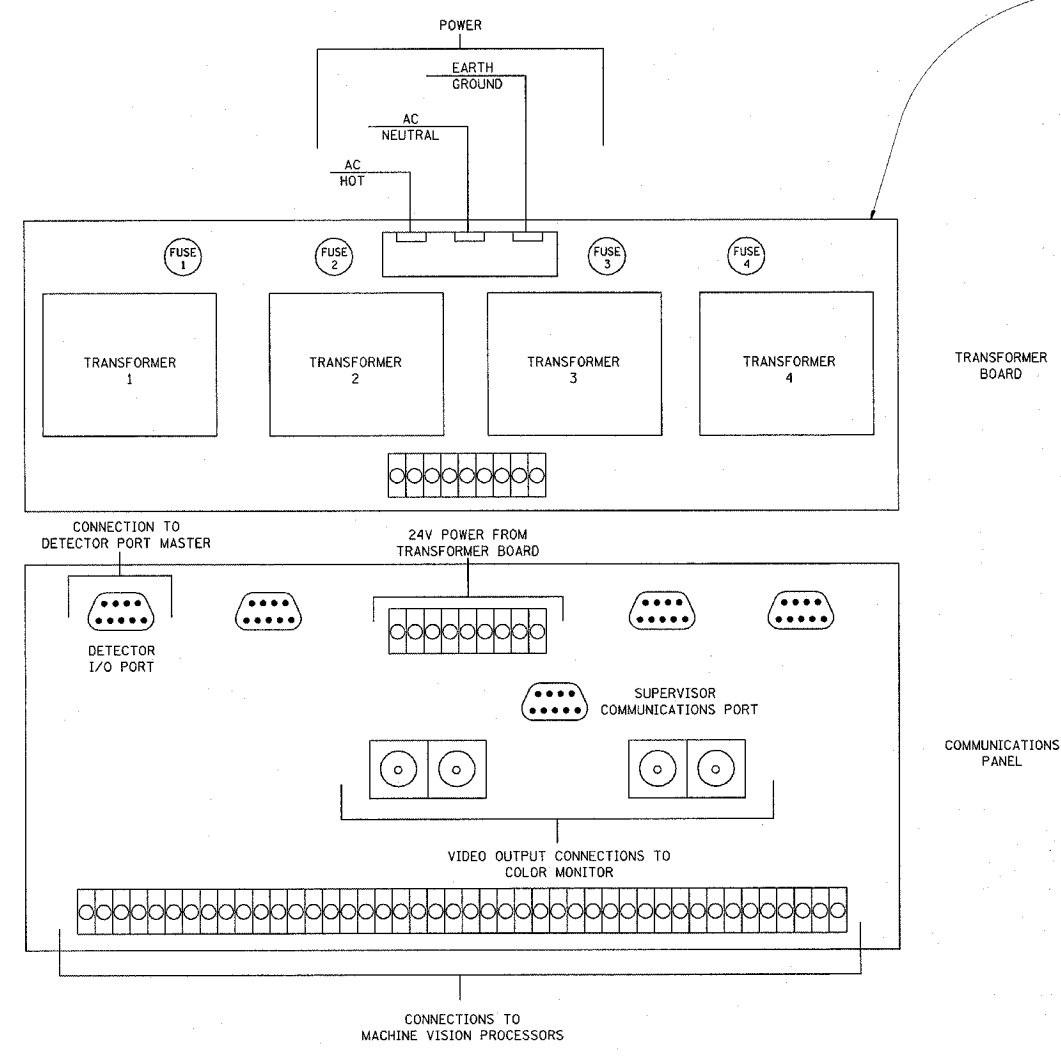
• 187-111-1, TS-2



VIDEO DETECTION SYSTEM INSTALLATION  
ARM MOUNTED OR POLE MOUNTED CAMERA



\* THESE ITEMS COMPRISE CAMERA MOUNTING ASSEMBLY  
ALTERNATE CAMERA MOUNTING ASSEMBLY DETAIL



REVISIONS	
NAME	DATE
WCD	31OCT97

ILLINOIS DEPARTMENT OF TRANSPORTATION  
**VIDEO DETECTION SYSTEM  
INSTALLATION DETAIL**  
SCALE: VERT. DATE  
HORIZ. DATE  
DRAWN BY  
CHECKED BY

PLOT DATE = 4/5/2005  
FILE NAME = c:\projects\mvs\2104\1.s. sheet.dgn  
PLOT SCALE = 1/8" = 1'-0" / IN