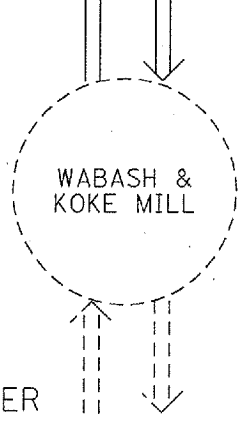
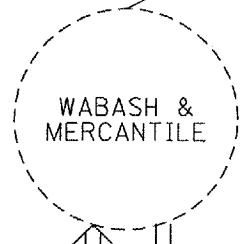
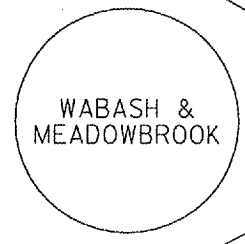
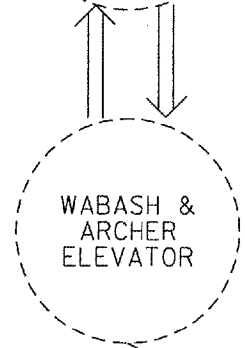
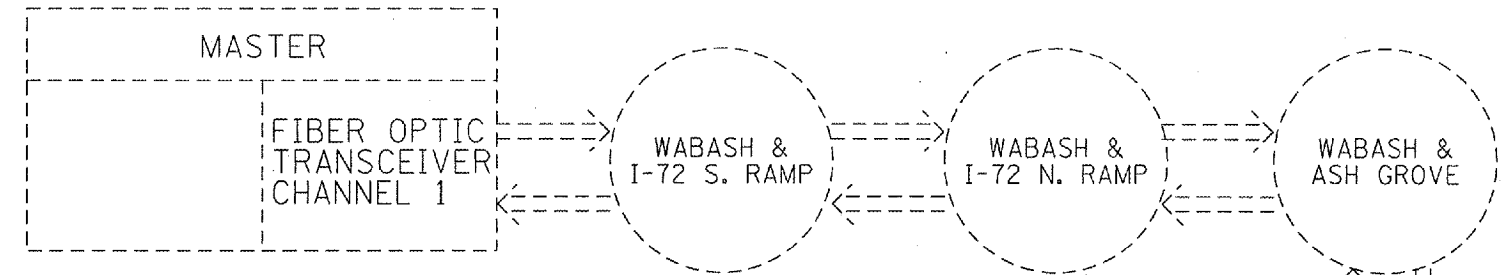



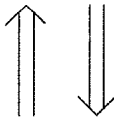
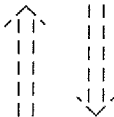
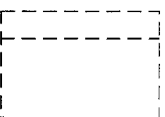
F.A.U. RTE.	SECTION	COUNTY	TOTAL SHEETS	SHEET NO.
8012	*	SANGAMON	13	3
STA.		TO STA.		
FED. ROAD DIST. NO.	ILLINOIS	FED. AID PROJECT		

* D-6 MISC TRAFFIC CONTROL 2006

WABASH & I-72 SOUTH RAMP



LEGEND

-  EXISTING CONTROLLER CABINET
-  NEW FIBER OPTIC CABLE
-  EXISTING FIBER OPTIC CABLE
-  EXISTING MASTER CONTROLLER

REVISIONS	
NAME	DATE

ILLINOIS DEPARTMENT OF TRANSPORTATION
SYSTEM SCHEMATICS
 SANGAMON COUNTY
 SCALE: VERT. DRAWN BY KDA
 DATE: OCT. 2004 CHECKED BY

PLOT DATE = 2/16/2005
 FILE NAME = C:\p\proj\3650405\3650405.dgn
 PLOT SCALE = 43.3735 / 1 IN.
 REFERENCE = #REF#