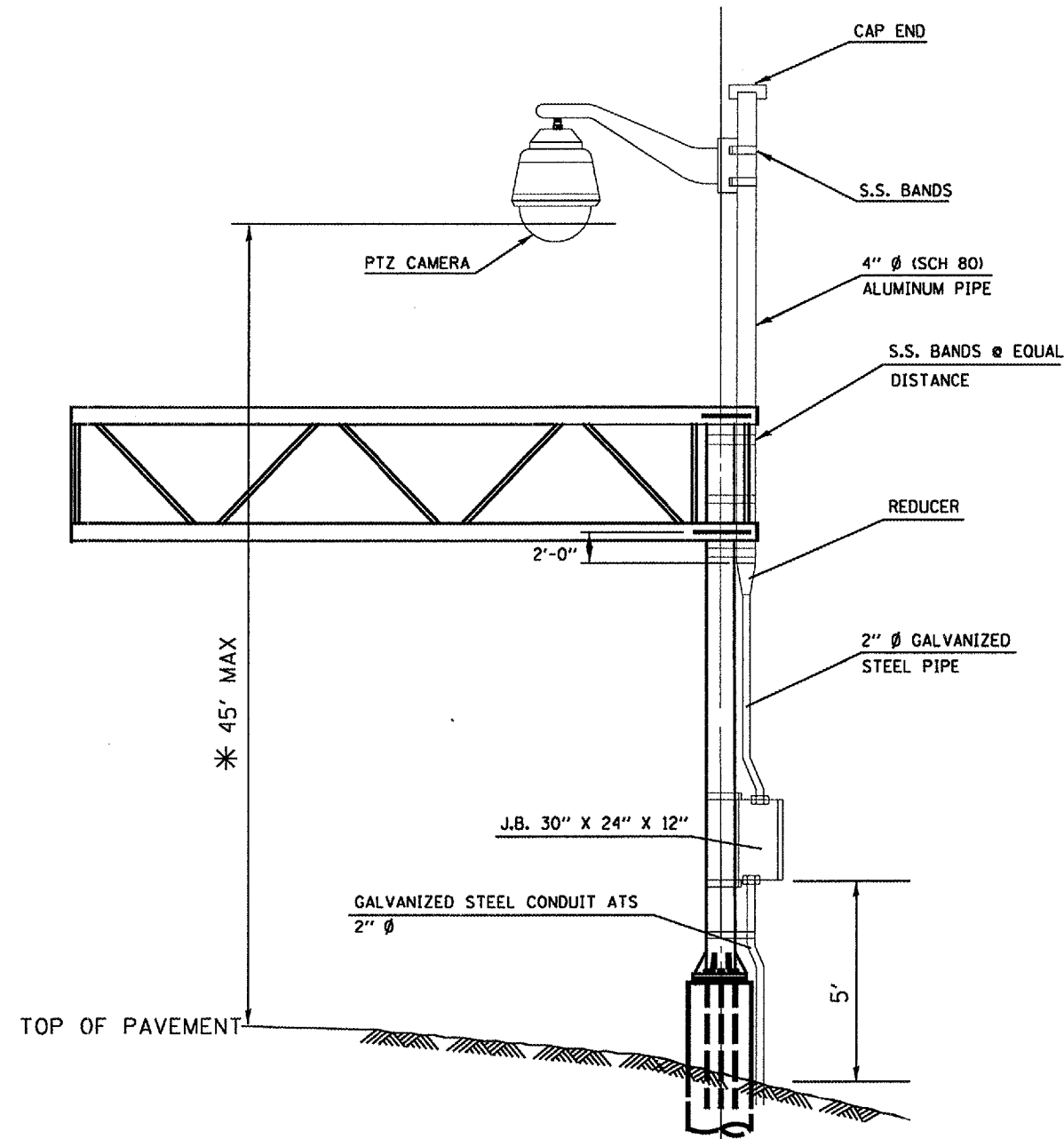


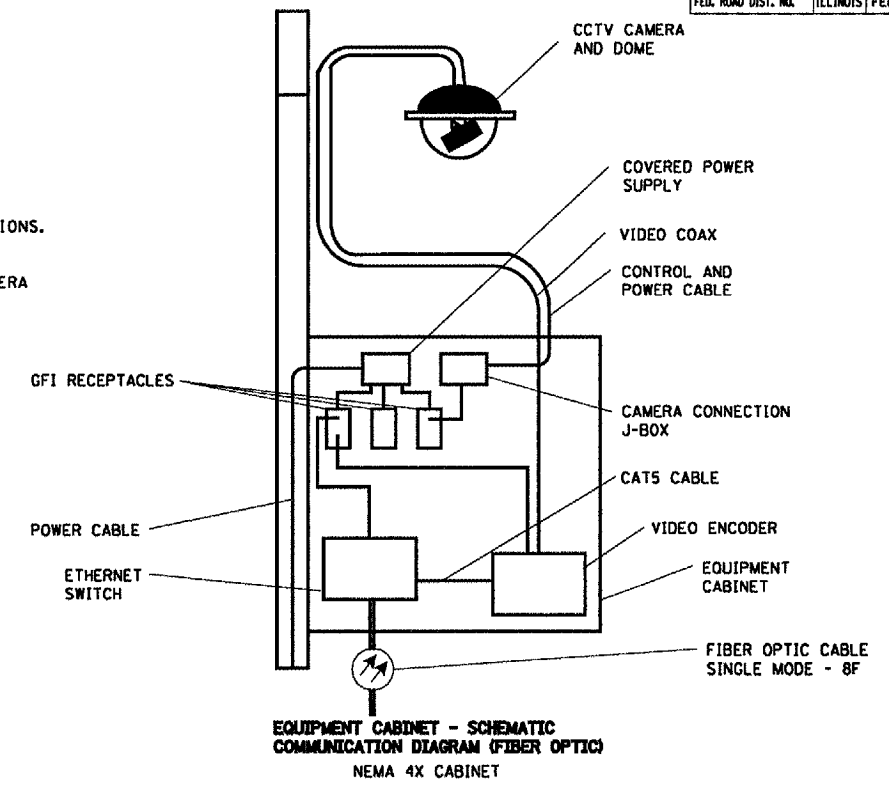
F.A. RTE.	SECTION	COUNTY	TOTAL SHEETS	SHEET NO.
	D-6 ITS *1	SANGAMON		53
STA.	TO STA.			
FED. ROAD DIST. NO.	ILLINOIS FED. AID PROJECT			

NOTES:

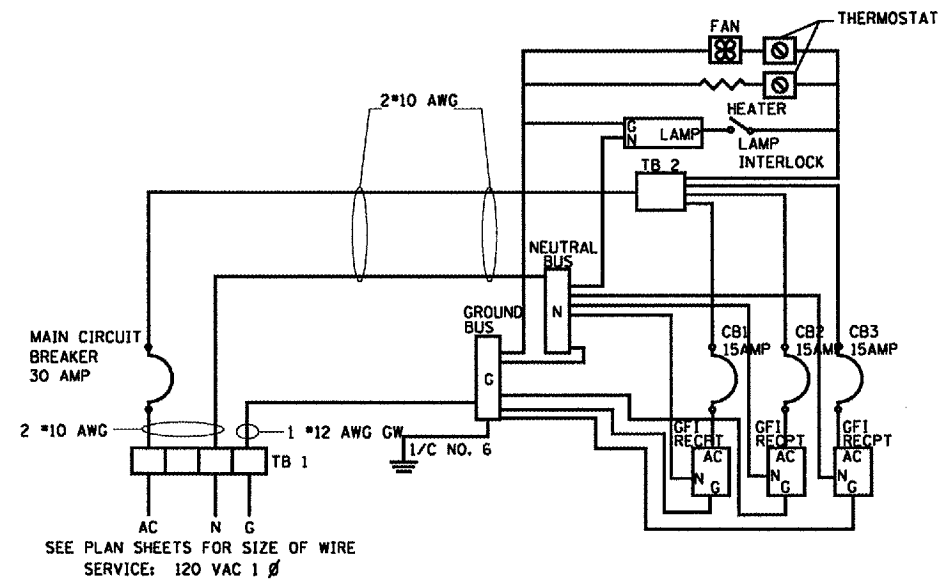
1. THE CONTRACTOR SHALL SUBMIT DETAIL PLANS AND CALCULATIONS OF CCTV ARM AND MOUNTING HARDWARE FOR THE POLE FOR APPROVAL BY THE ENGINEER.
2. MOUNTING BRACKET DETAILS MAY VARY DEPENDING UPON EQUIPMENT MANUFACTURER.
3. INSTALL GROUNDING SYSTEM IN ACCORDANCE WITH SECTION 807 OF THE IDOT STANDARD SPECIFICATIONS.
4. CONTRACTOR SHALL CONTACT ENGINEER DURING CAMERA INSTALLATION TO DETERMINE ACTUAL CAMERA HEIGHT IN FIELD



TYPICAL ELEVATION
NOT TO SCALE



EQUIPMENT CABINET - SCHEMATIC COMMUNICATION DIAGRAM (FIBER OPTIC)
NEMA 4X CABINET



EQUIPMENT CABINET - WIRING DIAGRAM
NEMA 4X CABINET

DATE: * DATE *
 FILE NAME: * FILE *
 PLOT SCALE: * PLOT *
 USER NAME: * USER *

REVISIONS	
NAME	DATE

ILLINOIS DEPARTMENT OF TRANSPORTATION
CCTV SYSTEM MOUNTING AND WIRING DETAILS
 D-6 ITS
 SANGAMON COUNTY
 SCALE: VERT. NOT TO SCALE DRAWN BY: KDA
 DATE: MAY 2005 CHECKED BY: