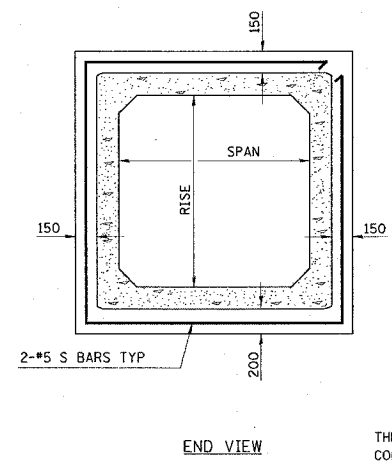
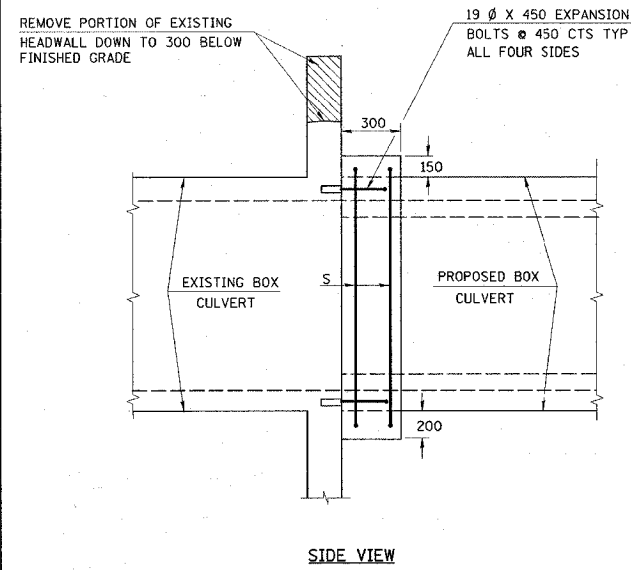


FAP ROUTE	SECTION	COUNTY	TOTAL SHEETS	SHEET NO.
600	5IRS-3	*	347	153
STA.		TO STA.		
CONTRACT : 76563				
* ST. CLAIR & MONROE COUNTIES				

DETAILS OF CONCRETE COLLAR FOR PRECAST BOX CULVERT



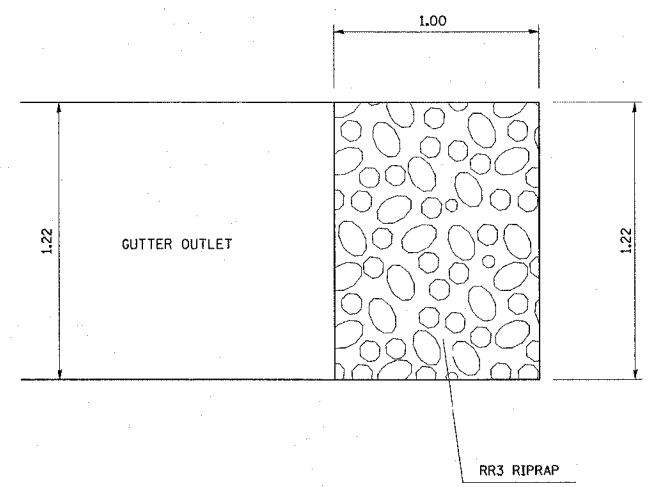
(FOR INFORMATION ONLY)

SPAN X RISE (mm)	CLASS SI CONC cu m (EST)
600 X 600	0.152
900 X 600	0.229
900 X 900	0.260
1200 X 600	0.275
1200 X 900	0.298
1200 X 1200	0.329
1500 X 600	0.313
1500 X 900	0.344
1500 X 1200	0.375
1800 X 600	0.359
1800 X 900	0.390
1800 X 1200	0.413

THE CONCRETE COLLAR WILL NOT BE PAID FOR SEPARATELY, BUT SHALL BE CONSIDERED INCLUDED IN THE CONTRACT UNIT PRICE FOR BOX CULVERT OR END SECTION INVOLVED. THIS WORK SHALL ALSO INCLUDE NECESSARY HEADWALL REMOVAL. CLASS SI CONCRETE SHALL BE USED THROUGHOUT.

PLAN	DATE
BY	
CHECKED	
APPROVED	
NO. OF WAYS CHECKED	
NO.	
FILE NAME	

DETAIL OF RIPRAP AT TYPE A GUTTER OUTLET



ALL DIMENSIONS ARE IN mm UNLESS DESIGNATED OTHERWISE

REVISIONS	
NAME	DATE

ILLINOIS DEPARTMENT OF TRANSPORTATION
MISCELLANEOUS DETAILS
 FAP ROUTE 600
 SECTION 5IRS-3
 ST. CLAIR & MONROE COUNTIES
 DRAWN BY: