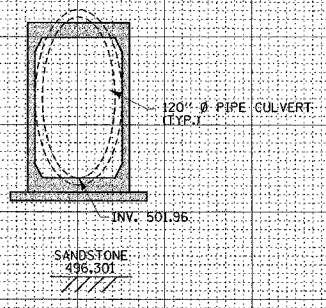
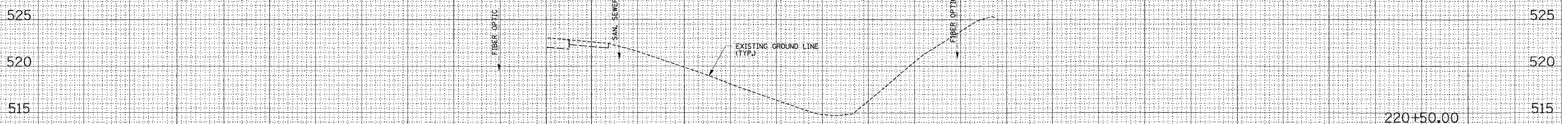
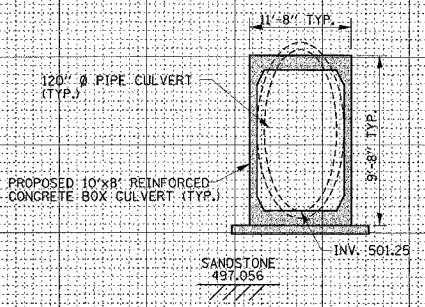
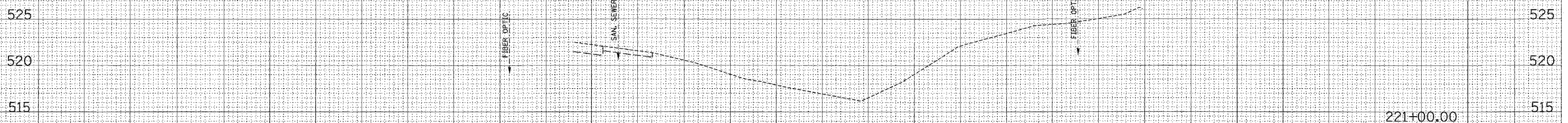


F.A. RTE.	SECTION	COUNTY	TOTAL SHEETS	SHEET NO.
789	1T	MADISON	15	14
STA.	TO STA.			
FED. ROAD DIST. NO.	ILLINOIS	FED. AID PROJECT		
<b>CONTRACT NO.: 76648</b>				

60 50 40 30 20 10 0 10 20 30 40 50 60 70 80 90 100 110 120 130 140 150 160 170 180 190 200 210 220 230 240



60 50 40 30 20 10 0 10 20 30 40 50 60 70 80 90 100 110 120 130 140 150 160 170 180 190 200 210 220 230 240

FINAL SURVEY

DATE \_\_\_\_\_

BY \_\_\_\_\_

SURVEYED \_\_\_\_\_

PLANNED \_\_\_\_\_

NOTED \_\_\_\_\_

AREAS CHECKED \_\_\_\_\_

NO.

ORIGINAL SURVEY

DATE \_\_\_\_\_

BY \_\_\_\_\_

SURVEYED \_\_\_\_\_

PLANNED \_\_\_\_\_

NOTED \_\_\_\_\_

AREAS CHECKED \_\_\_\_\_

NO.