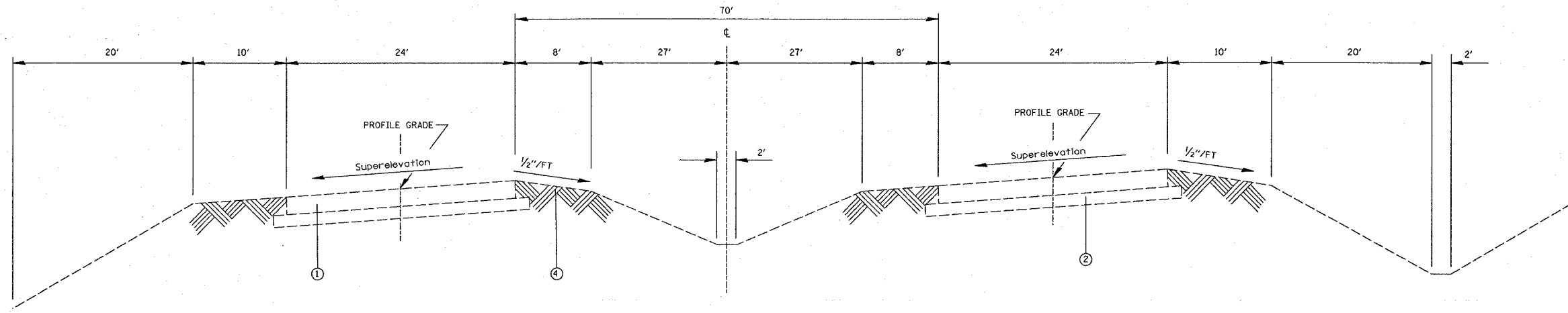
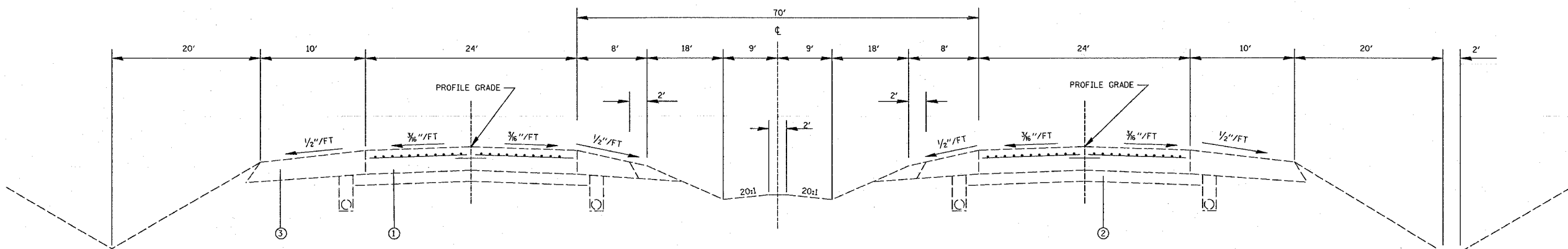


FAI ROUTE	SECTION	COUNTY	TOTAL SHEETS	SHEET NO
64	82-TRS-1, 82-7HB-1, 2I	ST. CLAIR	89	14
STA. TO STA.				
CONTRACT NO.: 76813				

PLAN SURVEYED BY DATE
 ALIGNED CHECKED
 NOTE BOOK NO. FT. OF WAY CHECKED
 FIELD FILE NAME



TYPICAL SECTION IL 158
 STA. 128+50.00 TO STA. 134+73.81



TYPICAL SECTION IL 158
 STA. 134+73.81 TO STA. 152+26.93
 STA. 154+84.93 TO STA. 176+10.00

LEGEND

- ① EXISTING CONTINUOUSLY REINFORCED P.C.C. PAVEMENT 8"
- ② EXISTING STABILIZED SUB-BASE 4"
- ③ EXISTING STABILIZED SHOULDERS 8"
- ④ EXISTING EARTH SHOULDERS

REVISIONS	
NAME	DATE

ILLINOIS DEPARTMENT OF TRANSPORTATION
 TYPICAL SECTIONS
 IL RTE 158 (FAP 674)
 FAI 64
 SECTION 82-TRS-1, 82-7HB-1, 2I
 ST. CLAIR COUNTY

DRAWN BY:

PLOT DATE: *DATE-TIME*

DATE
 TIME
 REF.