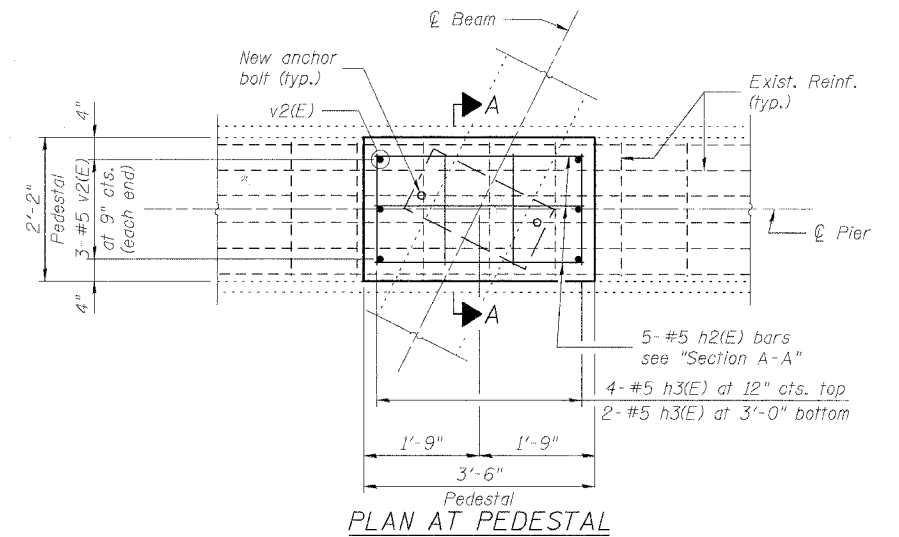
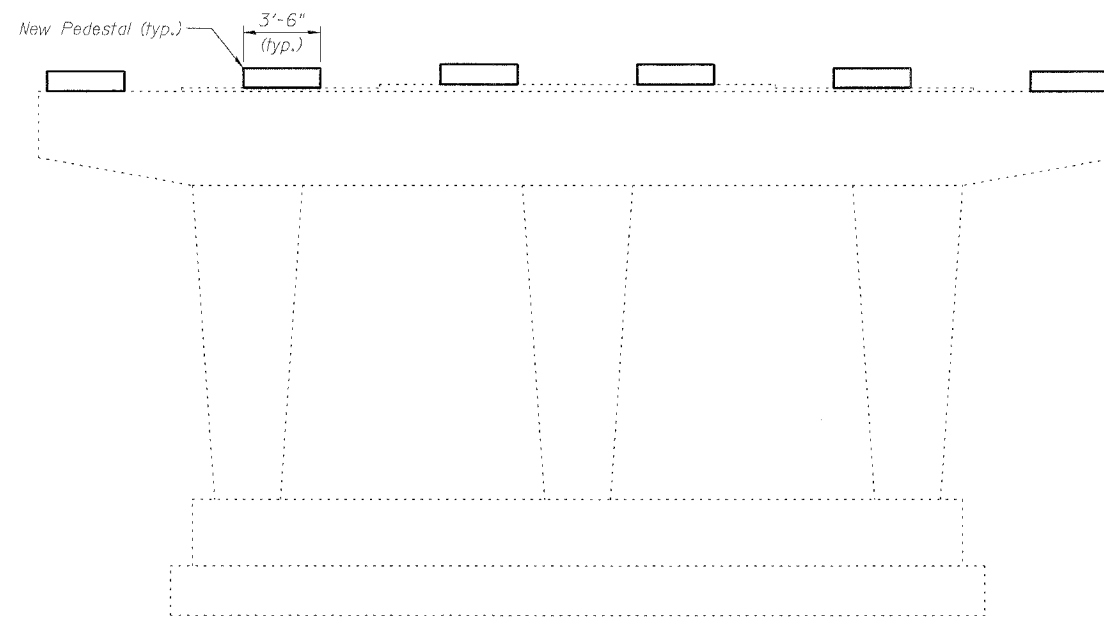
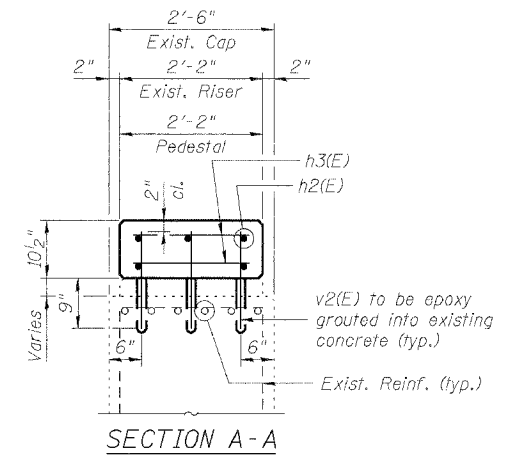
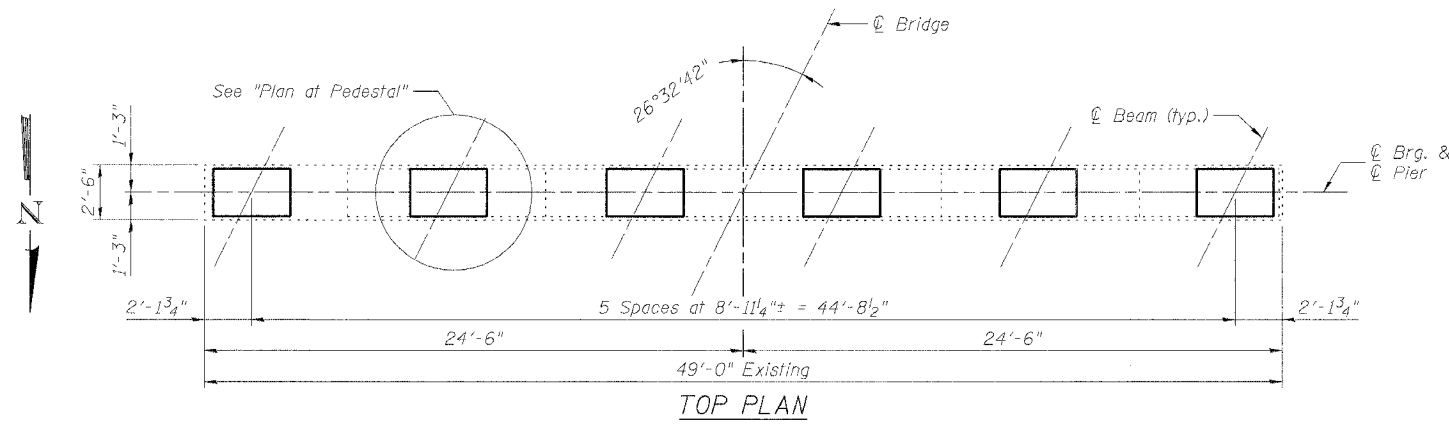


STATE OF ILLINOIS
DEPARTMENT OF TRANSPORTATION

SHEET 6
OF 8

F.A.I. RTE.	SECTION	COUNTY	TOTAL SHEETS	SHEET NO.
64	82-7RS-1, 82-7HB-1, 21	ST. CLAIR	69	75
FED. ROAD DIST. NO.		ILLINOIS FED. AID PROJECT		CONTRACT NO. T6813



BILL OF MATERIAL

Bar	No.	Size	Length	Shape
h2(E)	30	#5	3'-2"	—
h3(E)	36	#5	1'-10"	—
v2(E)	36	#5	1'-6"	—
Concrete Structures			Cu. Yd.	1.5
Reinforcement Bars, Epoxy Coated			Pound	230

Reinforcement Bars designated (E) shall be epoxy coated.

PIER
N. MAIN STREET (FAS 844) OVER
INTERSTATE 64
F.A.I. 64 SEC. 82-7RS-1, 82-7HB-1, 21
ST. CLAIR COUNTY
STATION 883+53.16
STRUCTURE NO. 082-0182

JD Johnson, Depp & Quisenberry
CONSULTING ENGINEERS
Springfield, Illinois

DESIGNED:	CDB	DRAWN:	P. Ray
CHECKED:	DCD	CHECKED:	CDB/DCD

FILE: F:\10132_IL-DBVW*2 1-64 Bridge Repairs\3-SN0182-kans+06pier.dgn

USER: P. Roy

DATE: 03/28/2005 - 12:30:01