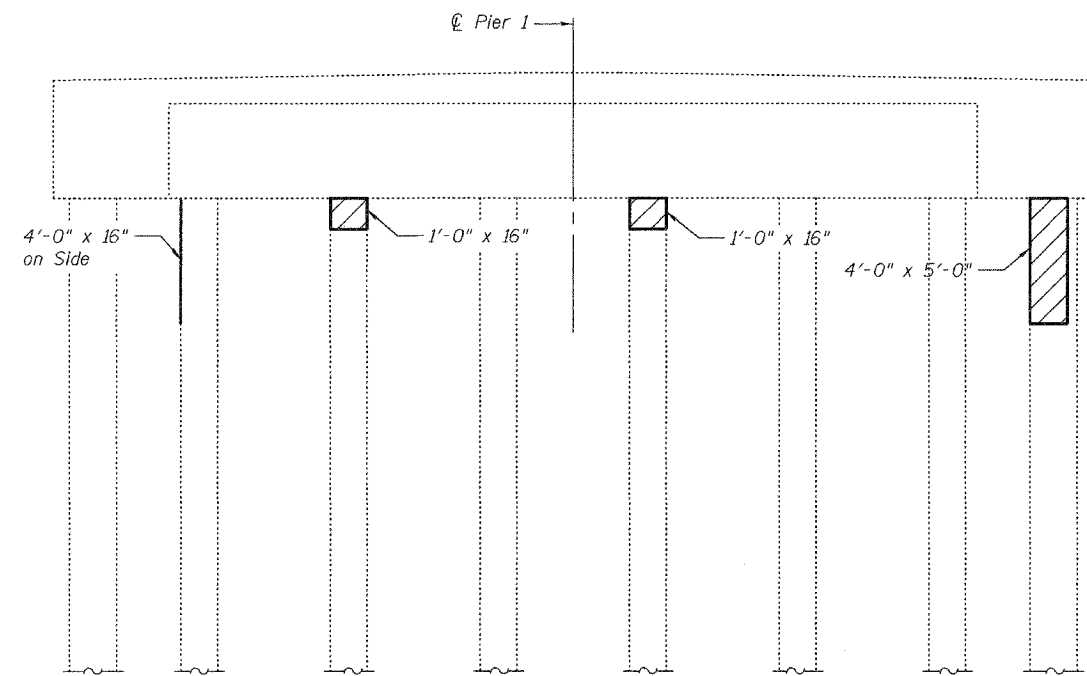
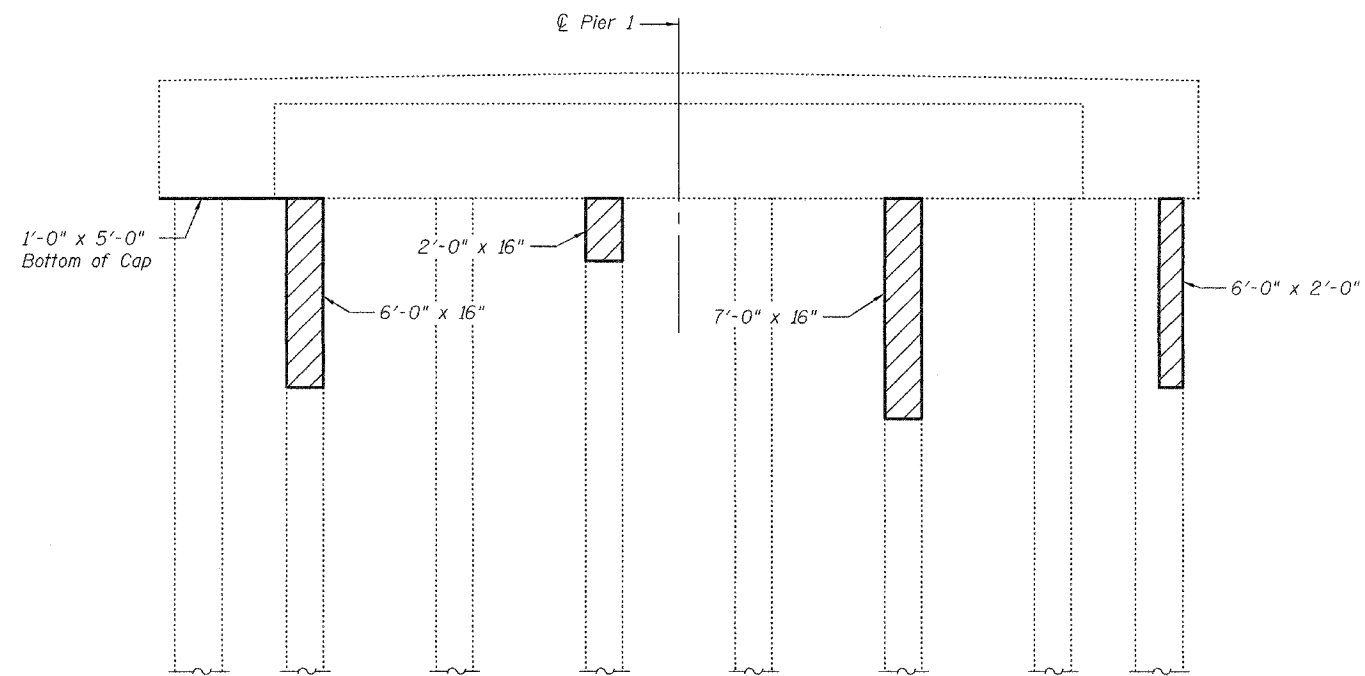


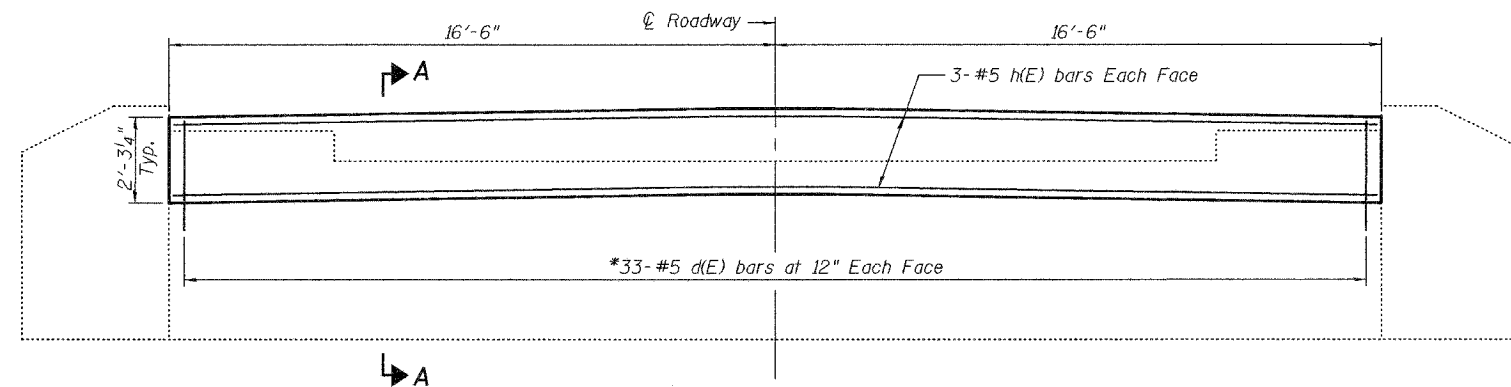
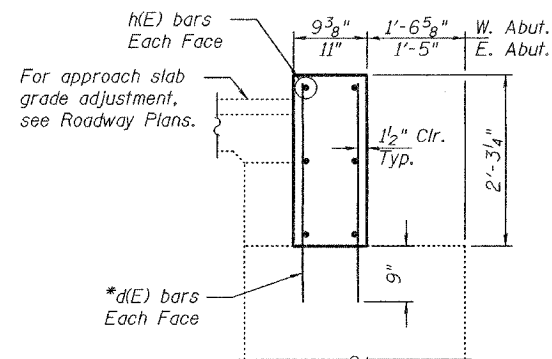
STATE OF ILLINOIS  
DEPARTMENT OF TRANSPORTATION

ROUTE NO.	SECTION	COUNTY	TOTAL SHEETS	SHEET NO.	SHEET NO. 6 12 SHEETS
		Bond	24	15	
FED. ROAD DIST. NO. 7		ILLINOIS FED. AID PROJECT-			

Contract Number: 76860



Note  
Hatched area indicates approximate area of Formed Concrete Repair. Exact repair area to be determined by Engineer.



BILL OF MATERIAL

Bar	No.	Size	Length	Shape
d(E)	132	#5	2'-10"	—
h(E)	12	#5	32'-9"	—
Formed Concrete Repair (≤5")			Sq. Ft.	65
Reinforcement Bars, Epoxy Coated			Pound	800
Concrete Structures			Cu. Yd.	4.7

Reinforcement bars designated (E) shall be epoxy coated.

DESIGNED	P.S.J.
CHECKED	V.H.V.
DRAWN	Drew Christopher
CHECKED	P.S.J. V.H.V.

May 9, 2005

EXAMINED *John A. Morris*  
ENGINEER OF STRUCTURAL SERVICES

PASSED *Ralph E. Anderson*  
ENGINEER OF BRIDGES AND STRUCTURES

\*Drill and epoxy grout in accordance with Article 584 of the Standard Specifications. Cost included with Reinforcement Bars, Epoxy Coated.

PIER 1 FORMED CONCRETE REPAIRS  
AND ABUTMENT DETAILS  
F.A.P. RT. 785  
BOND COUNTY  
SN 003-0024