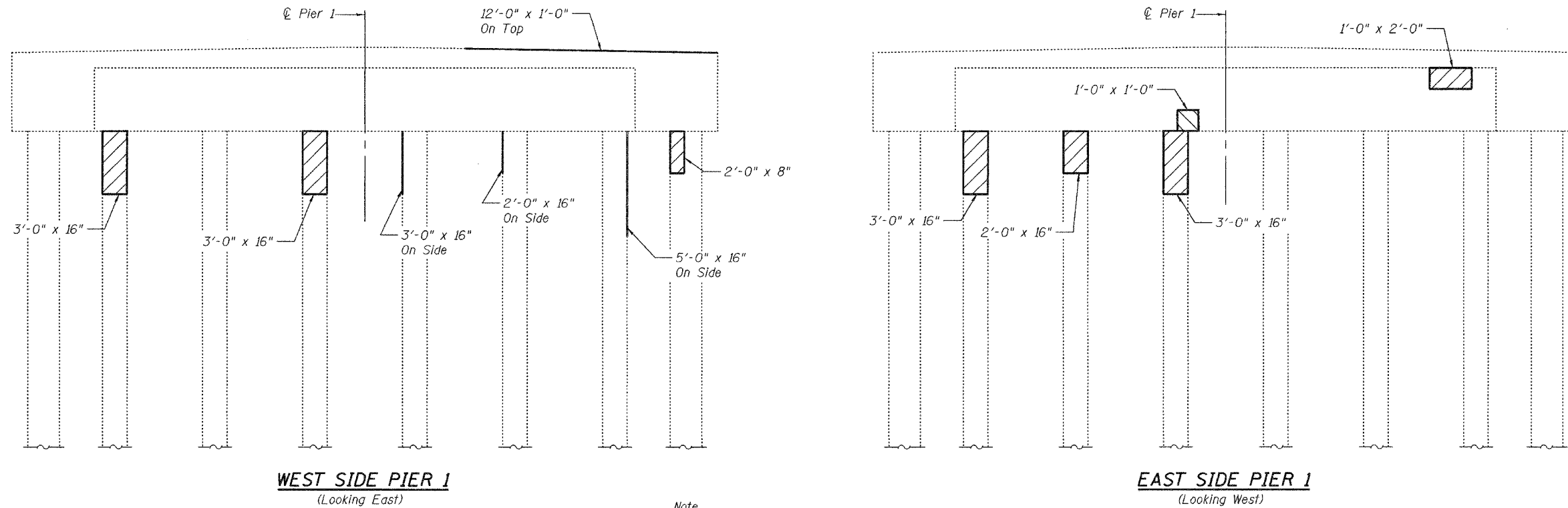


STATE OF ILLINOIS  
DEPARTMENT OF TRANSPORTATION

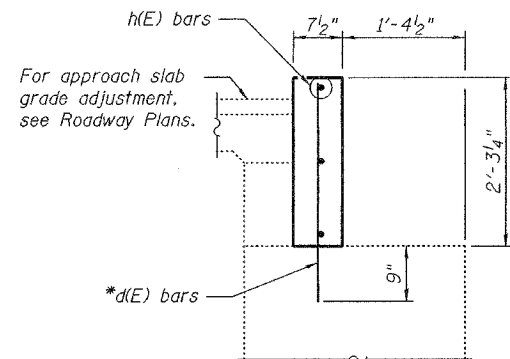
ROUTE NO.	SECTION	COUNTY	TOTAL SHEETS	SHEET NO.
		Bond	26	26
FED. ROAD DIST. NO. 7		ILLINOIS FED. AID PROJECT-		

SHEET NO. 5  
6 SHEETS

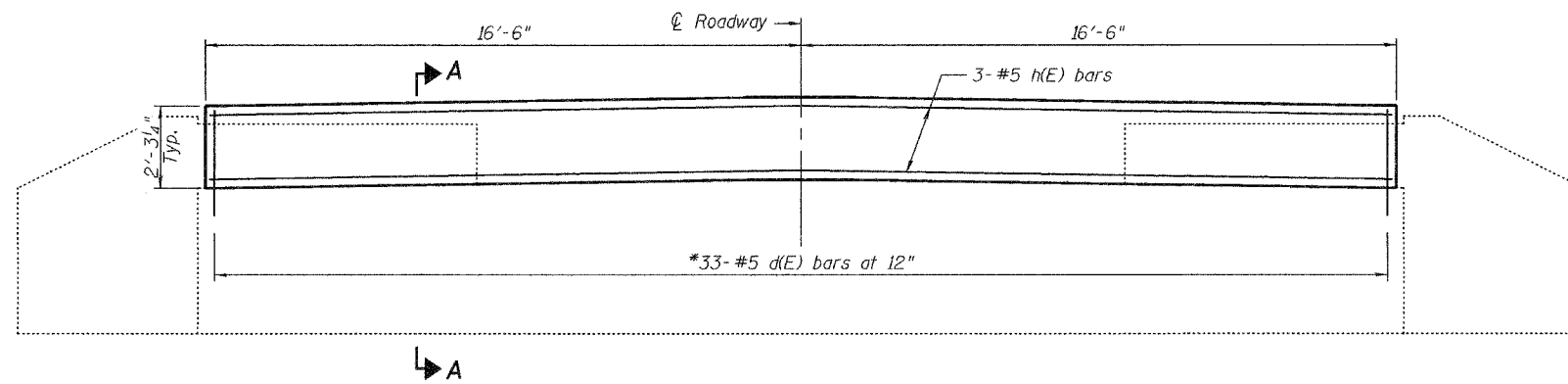
Contract Number: 76860



Note  
Hatched area indicates approximate area of Formed Concrete Repair. Exact repair area to be determined by Engineer.



SECTION A-A



TYPICAL ABUTMENT ELEVATION

BILL OF MATERIAL

Bar	No.	Size	Length	Shape
d(E)	66	#5	2'-10"	
h(E)	6	#5	32'-9"	
Formed Concrete Repair (≤5")			Sq. Ft.	48
Reinforcement Bars, Epoxy Coated			Pound	400
Concrete Structures			Cu. Yd.	3.5

Reinforcement bars designated (E) shall be epoxy coated.

DESIGNED	P.S.J.
CHECKED	V.H.V.
DRAWN	Drew Christopher
CHECKED	P.S.J. V.H.V.

EXAMINED	May 9, 2005
	<i>John A. Morris</i> ENGINEER OF STRUCTURAL SERVICES
PASSED	<i>Ralph E. Anderson</i> ENGINEER OF BRIDGES AND STRUCTURES

\*Drill and epoxy grout in accordance with Article 584 of the Standard Specifications. Cost included with Reinforcement Bars, Epoxy Coated.

PIER 1 FORMED CONCRETE REPAIRS  
AND ABUTMENT DETAILS  
F.A. RT. 785  
BOND COUNTY  
SN 003-0025