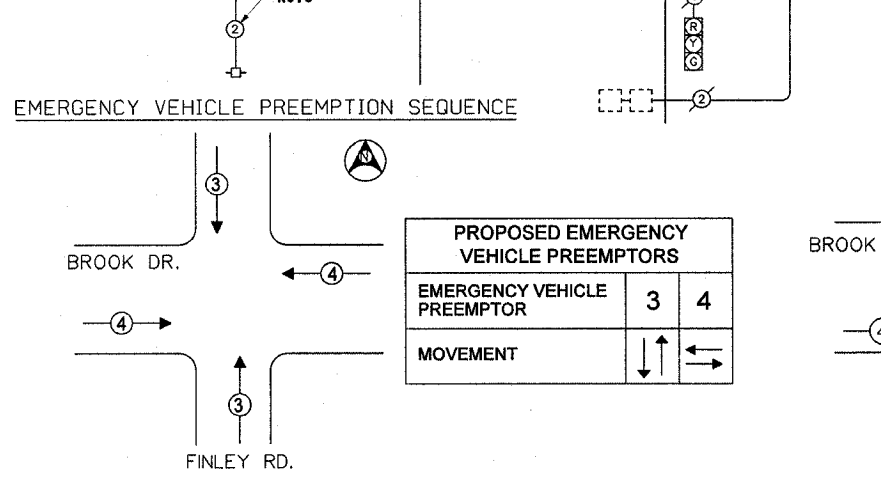
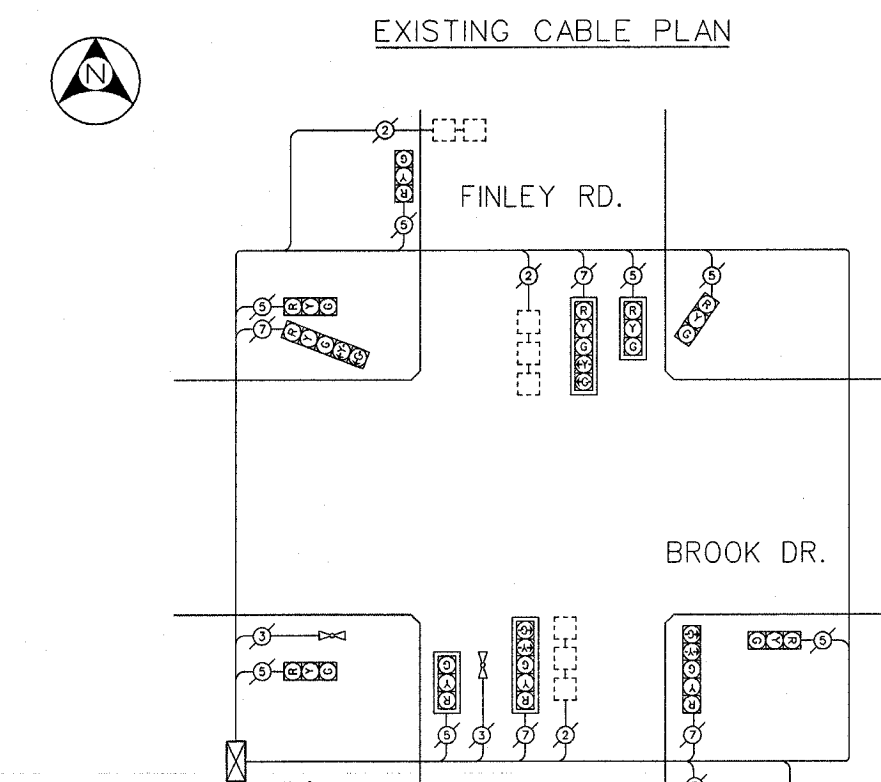


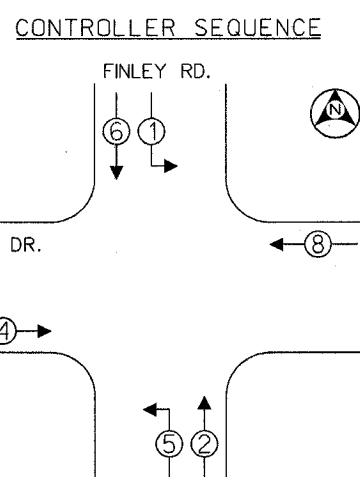
CABLE PLAN FINLEY RD.

CABLE PLAN LEGEND

- | | |
|--|---|
| | 8" (200mm) TRAFFIC SIGNAL SECTION |
| | 12" (300mm) TRAFFIC SIGNAL SECTION |
| | 12" (300mm) PEDESTRIAN SIGNAL SECTION |
| | 12" (300mm) PEDESTRIAN SIGNAL SECTION |
| | CONTROLLER CABINET |
| | SERVICE INSTALLATION |
| | TELEPHONE CONNECTION |
| | VEHICLE DETECTOR, INDUCTION LOOP |
| | MAGNETIC DETECTOR |
| | EMERGENCY VEHICLE LIGHT DETECTOR |
| | CONFIRMATION BEACON |
| | PUSHBUTTON DETECTOR |
| | DENOTES NUMBER OF CONDUCTORS. |
| | ALL CABLE NO. 14 EXCEPT AS INDICATED. |
| | ALL LOOP DETECTOR CABLE TO BE SHIELDED. |
| | GROUND CABLE IN CONDUIT, NO. 6 SOLID COPPER (GREEN) |
| | NO. 62.5/125 MM 12F & SM 12F, FIBER OPTIC CABLE |
| | SIGNAL FACE WITH BACKPLATE |
| | "P" INDICATES PROGRAMMED HEAD |
| | RAILROAD CONTROL CABINET |
| | ILLUMINATED SIGN, FIBER OPTIC "NO LEFT TURN" |
| | ILLUMINATED SIGN, FIBER OPTIC "NO RIGHT TURN" |
| | GROUND ROD AT HANDHOLE (H), DOUBLE HANDHOLE (H) OR CONTROLLER (C) |
| | GROUND ROD AT POST (P) OR MAST ARM POLE (MA) |
| | GROUND ROD AT ELECTRIC SERVICE INSTALLATION |

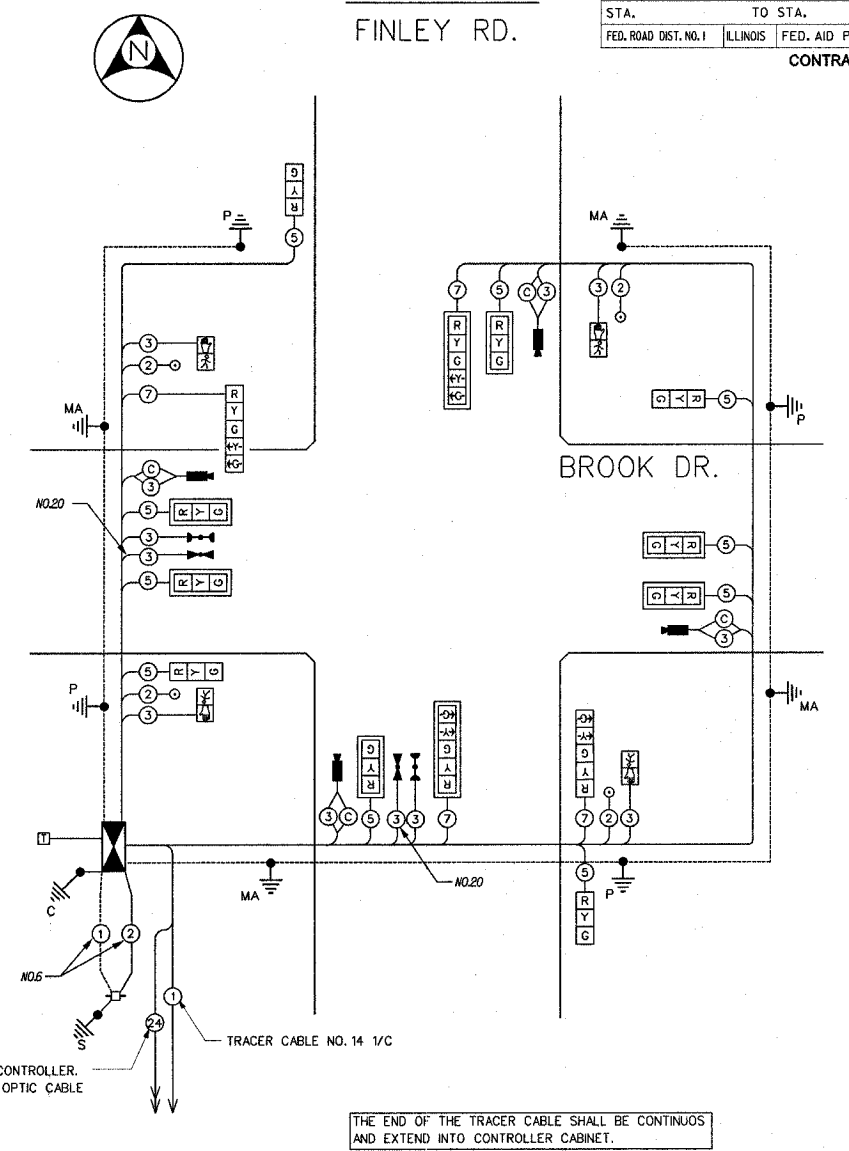


EMERGENCY VEHICLE PREEMPTOR	3	4
MOVEMENT	↑	→



THE TRAFFIC SIGNAL CONTROL EQUIPMENT FOR THIS PROJECT SHALL BE "ECONOLITE" TO MATCH THE EXISTING ADJACENT SYSTEM.

- #### LEGEND
- SINGLE ENTRY PHASE
 - DUAL ENTRY PHASE
 - OVERLAP
 - PEDESTRIAN PHASE
 - * NUMBER REFERS TO ASSOCIATED PHASE.



SCHEDULE OF QUANTITIES

QTY	UNIT	ITEM DESCRIPTION	QTY	UNIT	ITEM DESCRIPTION	QTY	UNIT	ITEM DESCRIPTION
4	EACH	ILLUMINATED SIGN PANEL, SPECIAL	798	FOOT	ELECTRIC CABLE IN CONDUIT, SIGNAL NO. 14 3C	6	EACH	SIGNAL HEAD, LED, 1-FACE, 3-SECTION, MAST ARM MOUNTED
1	EACH	SERVICE INSTALLATION, POLE MOUNTED	1815	FOOT	ELECTRIC CABLE IN CONDUIT, SIGNAL NO. 14 5C	3	EACH	SIGNAL HEAD, LED, 1-FACE, 3-SECTION, BRACKET MOUNTED
70	FOOT	CONDUIT IN TRENCH, 2 1/2" DIA., GALVANIZED STEEL	647	FOOT	ELECTRIC CABLE IN CONDUIT, SIGNAL NO. 14 7C	1	EACH	SIGNAL HEAD, LED, 1-FACE, 5-SECTION, BRACKET MOUNTED
23	FOOT	CONDUIT IN TRENCH, 3" DIA., GALVANIZED STEEL	233	FOOT	ELECTRIC CABLE IN CONDUIT, NO. 20 3/C, TWISTED, SHIELDED	1	EACH	SIGNAL HEAD, LED, 1-FACE, 5-SECTION, BRACKET MOUNTED
26	FOOT	CONDUIT IN TRENCH, 4" DIA., GALVANIZED STEEL	43	FOOT	ELECTRIC CABLE IN CONDUIT, SERVICE, NO. 6 2C	2	EACH	SIGNAL HEAD, LED, 1-FACE, 5-SECTION, MAST ARM MOUNTED
12	FOOT	CONDUIT PUSHED, 2" DIA., GALVANIZED STEEL	2	EACH	TRAFFIC SIGNAL POST, GALVANIZED STEEL 14 FT.	1	EACH	SIGNAL HEAD, LED, 2-FACE, 1-3 SECTION, 1-5 SECTION, BRACKET MOUNTED
27	FOOT	CONDUIT PUSHED, 3" DIA., GALVANIZED STEEL	1	EACH	TRAFFIC SIGNAL POST, GALVANIZED STEEL 16 FT.	4	EACH	PEDESTRIAN SIGNAL HEAD, 1-FACE, BRACKET MOUNTED
220	FOOT	CONDUIT PUSHED, 4" DIA., GALVANIZED STEEL	1	EACH	STEEL COMBINATION MAST ARM ASSEMBLY AND POLE 24 FT.	8	EACH	TRAFFIC SIGNAL BACKPLATE, LOUVERED, ALUMINUM
7	EACH	HANDHOLE	1	EACH	STEEL COMBINATION MAST ARM ASSEMBLY AND POLE 26 FT.	2	EACH	LIGHT DETECTOR
1	EACH	DOUBLE HANDHOLE	1	EACH	STEEL COMBINATION MAST ARM ASSEMBLY AND POLE 30 FT.	1	EACH	LIGHT DETECTOR AMPLIFIER
119	FOOT	TRENCH AND BACKFILL FOR ELECTRICAL WORK	1	EACH	STEEL COMBINATION MAST ARM ASSEMBLY AND POLE 40 FT.	4	EACH	PEDESTRIAN PUSH-BUTTON
1	EACH	FULL-ACTUATED CONTROLLER AND TYPE V CABINET, SPECIAL	16	FOOT	CONCRETE FOUNDATION, TYPE A	1	EACH	TEMPORARY TRAFFIC SIGNAL INSTALLATION
1	EACH	MASTER CONTROLLER (SPECIAL)	4	FOOT	CONCRETE FOUNDATION, TYPE D	7	EACH	REMOVE EXISTING TRAFFIC SIGNAL EQUIPMENT
1	EACH	TRANSCIVER - FIBER OPTIC	45	FOOT	CONCRETE FOUNDATION, TYPE E	7	EACH	REMOVE EXISTING HANDHOLE
467	FOOT	ELECTRIC CABLE IN CONDUIT, GROUNDING, NO. 6 1C	15	FOOT	CONCRETE FOUNDATION, TYPE E	1	EACH	REMOVE EXISTING CONCRETE FOUNDATION
565	FOOT	ELECTRIC CABLE IN CONDUIT, SIGNAL NO. 14 2C				1	EACH	VIDEO VEHICLE DETECTION SYSTEM
						1	L SUM	TELEPHONE SERVICE INSTALLATION

RESTORATION OF WORK AREA. RESTORATION OF THE TRAFFIC SIGNAL WORK AREA SHALL BE INCIDENTAL TO THE RELATED PAY ITEM SUCH AS FOUNDATION, CONDUIT, HANDHOLE, TRENCH, AND BACKFILL, ETC., AND NO EXTRA COMPENSATION SHALL BE ALLOWED. ALL ROADWAY SURFACES SUCH AS SHOULDERS, MEDIAN, SIDEWALKS, PAVEMENT, ETC. SHALL BE REPLACED IN KIND. ALL DAMAGE TO MOWED LAWNS SHALL BE REPLACED WITH AN APPROVED SOB, AND ALL DAMAGE TO UNMOWED FIELDS SHALL BE SEED IN ACCORDANCE WITH STANDARD SPECIFICATIONS 252 AND 250 RESPECTIVELY.

FOUNDATION (DEPTH)	FT. (m)	CABLE SLACK	FT. (m)	VERTICAL	FT. (m)
TYPE A - POST	4 (1.2)	HANDHOLE	6.5 (2.0)	ALL FOUNDATIONS	3.5 (1.1)
D - CONTROLLER	4 (1.2)	DOUBLE HANDHOLE	13 (4.0)	MAST ARM (L) POLE	20'+L-2' =
E - M ARM POLE		SIGNAL POST	2 (1.0)	BRACKET MOUNTED	(6.1+L-1.0) =
24" (600mm)	10 (3.0)	CONTROLLER CAB.	1 (0.5)	PED. PUSHBUTTON	4 (1.2)
30" (750mm)	15 (4.6)	FIBER OPTIC	13 (4.0)	ELECTRIC SERVICE	13.5 (4.1)
		ELECTRIC SERVICE	1 (0.5)	SERVICE TO GROUND	13.5 (4.1)
		GROUND CABLE	1 (0.5)	POST MOUNTED	6 (1.8)

TYPE	NO. OF LAMPS X INCAND	WATTAGE	LED X OPERATIONS	TOTAL WATTAGE	
SIGNAL (RED)	14	135	17	0.50	119
(YELLOW)	14	135	25	0.25	87.50
(GREEN)	14	135	15	0.25	52.50
ARROW	8	135	12	0.10	9.6
PED. SIGNAL		90	25	1.00	
CONTROLLER	1	100	100	1.00	100
ILLUM. SIGN		84		0.05	
FLASHER				0.50	
ENERGY COSTS TO:				TOTAL =	350.1
VILLAGE OF DOWNERS GROVE					
DOWNERS GROVE, ILLINOIS 60133					
ENERGY SUPPLY - CONTACT: JUDY KNELL					
PHONE: (630) 691-4608					
COMPANY: COMED					



METRO TRANSPORTATION GROUP, INC.
 TRAFFIC ENGINEERING, TRANSPORTATION PLANNING
 AND SIGNAL SYSTEMS/DESIGN
 3100 W. HIGGINS ROAD, HOFFMAN ESTATES, IL 60195 PH# 630 213-1000

NO.	DATE	DESCRIPTION

CABLE PLAN, PHASE DESIGNATION DIAGRAM AND SCHEDULE OF QUANTITIES
 FINLEY ROAD @ BROOK ROAD
 DOWNERS GROVE, ILLINOIS

FILE NAME:	09_cp.dgn	SHEET NO.:	9
DATE:	SEPT 7, 2004	OF	13
PROJECT NO.:	H0312-18		