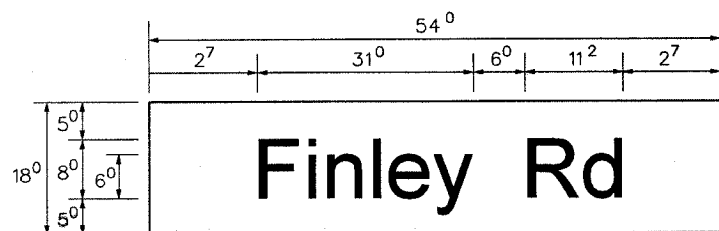


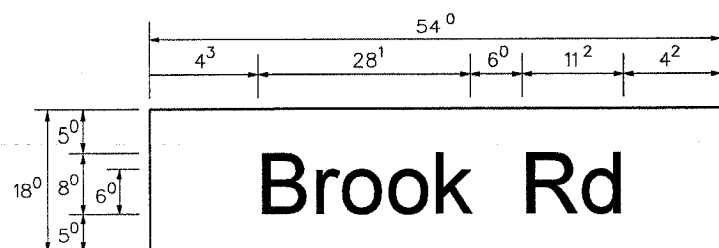
INTERNALLY ILLUMINATED SIGN PANEL DESIGN



— Sq. M. each
 — Sq. Ft. each
 2 Required
 Design Series D.

NOTE: SIGN DIMENSIONS ARE IN ENGLISH UNITS

INTERNALLY ILLUMINATED SIGN PANEL DESIGN



— Sq. M. each
 — Sq. Ft. each
 2 Required
 Design Series D.

GENERAL NOTES

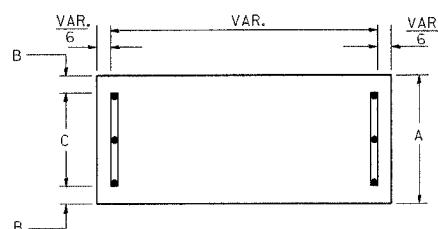
- WHERE MAST ARM MOUNTED STREET NAME SIGNS ARE SPECIFIED, THE MAST ARM ASSEMBLY AND POLES SHALL BE DESIGNED TO SUPPORT THE LOADINGS CALLED FOR ON STANDARDS 834001, 834006 AND 834011, AS APPLICABLE, PLUS TWO (2) SIGN PANELS 2'-6" x 6'-0" MOUNTED AS SHOWN. THE DESIGN SHALL BE IN ACCORDANCE WITH THE REQUIREMENTS OF THE CURRENT STANDARD SPECIFICATIONS FOR STRUCTURAL SUPPORTS FOR HIGHWAY SIGNS, LUMINAIRES, AND TRAFFIC SIGNALS AS PUBLISHED BY THE AMERICAN ASSOCIATION OF STATE HIGHWAY AND TRANSPORTATION OFFICIALS FOR 80 M.P.H. WIND VELOCITY.
- ALL SIGNS SHALL HAVE A WHITE REFLECTORIZED LEGEND AND BORDER ON A GREEN REFLECTORIZED BACKGROUND, TYPE A SHEETING.
- THE SIGN LENGTH SHOULD BE INCREASED IN 6-INCH INCREMENTS, BUT THE OVERALL LENGTH SHOULD NOT EXCEED 6'-0".
- ALL BORDERS SHALL BE 3/4" WIDE AND CORNER RADIUS SHALL BE 2-1/4".
- SIGNFIX ALUMINUM CHANNEL FRAMING SYSTEM SHALL BE USED FOR ALL SIGNS ATTACHED TO SIGNAL POLES AND POSTS. LOCAL SUPPLIERS OF THE SIGNFIX ALUMINUM CHANNEL FRAMING SYSTEM ARE:
 - * A.K.T. CORPORATION, SCHALMBURG, IL
 - * TUCKER COMPANY, INC., WAUWATOSA, WI
 - * AMERICAN FABRICATION CO., CHICAGO HEIGHTS, IL
 - * WESTERN TRAFFIC CONTROL INC., CICERO, IL

PARTS LISTING:

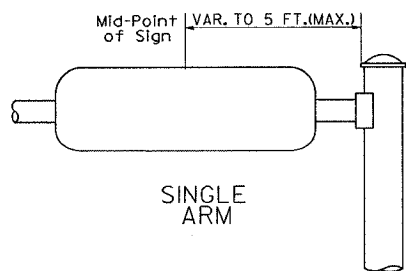
PART *HPN053 (MED. CHANNEL)
 1/4" x 1/4" x 1" H.W.H. #3
 SELF TAPPING WITH NEOPRENE WASHER
 PART *HPN034 (UNIVERSAL)
 CHANNEL CLAMPS WITH STAINLESS STEEL STRAPPING

OTHER BRANDS OF MOUNTING HARDWARE ARE ACCEPTABLE, BASED UPON THE DEPARTMENT'S APPROVAL AND COMPATIBILITY WITH THE CHANNEL/BACKET OF THE ABOVE PRODUCT.

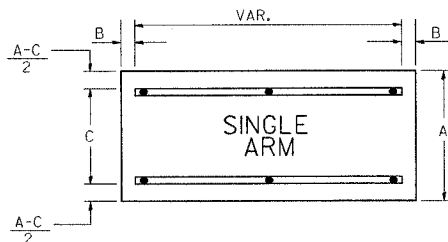
SUPPORTING CHANNELS



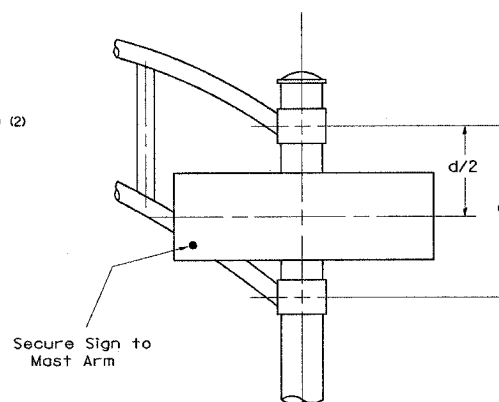
A	B	C
18"	2"	14"



SUPPORTING CHANNELS



A	B	C
18"	2"	12"
30"	2"	22"



SIGNFIX ALUMINUM CHANNEL FRAMING SYSTEM
 Shall be used. See Note #5.

Upper Case To Lower Case
 Spacing Chart 8-6 inch Series 'C & D'

EXAMPLE, 2 DENOTES 3/8"

FIRST LETTER	SECOND LETTER																	
	a c d e		g o q		b h i k l		m n p r u		f w		j		s t		v y		x z	
	C	D	C	D	C	D	C	D	C	D	C	D	C	D	C	D	C	D
A W X	12	14	14	15	12	14	06	10	11	14	06	10	11	12	12	14	12	14
B	14	15	20	21	14	15	11	12	14	15	12	14	12	14	16	17	12	14
C E G	14	15	20	21	12	14	06	10	12	14	12	14	14	15	14	15	14	15
D O Q R	14	15	20	21	14	15	06	10	12	14	12	14	14	15	14	15	14	15
F	05	06	14	15	06	10	05	06	06	10	06	10	06	10	11	12	11	12
H I M N	20	21	22	24	20	21	14	15	16	17	16	17	20	21	20	21	20	21
J U	20	21	20	21	16	17	14	15	16	17	16	17	16	17	20	21	20	21
K L	11	12	16	17	11	12	05	06	11	12	11	12	11	12	12	14	12	14
P	12	14	14	15	12	14	05	06	11	12	11	12	12	14	12	14	12	14
S	12	14	16	17	12	14	06	10	12	14	12	14	12	14	12	14	12	14
T	11	12	16	17	06	10	06	10	11	12	11	12	11	12	12	14	12	14
V	06	10	14	15	11	12	06	10	12	14	12	14	12	14	12	14	12	14
Y	05	06	14	15	06	10	05	06	05	07	05	06	06	10	11	12	11	12
Z	16	17	22	24	16	17	12	14	16	17	16	17	16	17	20	21	20	21

Lower Case To Lower Case
 Spacing Chart 6 inch Series 'C & D'

FIRST LETTER	SECOND LETTER																	
	a c d e		g o q		b h i k l		m n p r u		f w		j		s t		v y		x z	
	C	D	C	D	C	D	C	D	C	D	C	D	C	D	C	D	C	D
ad h g i j	16	17	22	24	16	17	12	14	14	15	14	15	16	17	16	17	16	17
l m n q u																		
b f k o p s	12	14	16	17	11	12	05	06	11	12	11	12	12	14	12	14	12	14
c e	12	14	16	17	12	14	06	10	12	14	12	14	12	14	12	14	12	14
r	06	10	12	14	06	10	03	03	05	06	05	06	06	10	06	10	06	10
t z	12	14	16	17	12	14	06	10	11	12	11	12	12	14	12	14	12	14
v y	11	12	14	15	11	12	05	06	06	10	06	10	11	12	11	12	11	12
w	11	12	14	15	11	12	05	06	11	12	11	12	11	12	12	14	12	14
x	12	14	16	17	11	12	05	06	11	12	11	12	11	12	12	14	12	14

Number To Number
 Spacing Chart 8 inch Series 'C & D'

FIRST LETTER	SECOND NUMBER																			
	0		1		2		3		4		5		6		7		8		9	
	C	D	C	D	C	D	C	D	C	D	C	D	C	D	C	D	C	D	C	D
0 9	16	17	16	17	14	15	12	14	14	15	14	15	16	17	12	14	16	17	16	17
1	20	21	20	21	20	21	16	17	14	15	20	21	20	21	14	15	20	21	20	21
2 3 4	14	15	14	15	14	15	12	14	12	14	14	15	14	15	11	12	16	17	14	15
5	14	15	14	15	14	15	11	12	11	12	14	15	14	15	11	12	14	15	14	15
6	16	17	14	15	14	15	12	14	14	15	14	15	11	12	14	15	14	15	14	15
7	12	14	12	14	14	15	12	14	05	06	12	14	14	15	11	12	14	15	12	14
8	16	17	16	17	14	15	12	14	12	14	14	15	16	17	12	14	16	17	14	15

UPPER AND LOWER CASE LETTER WIDTHS

LETTERS	6 INCH UPPER CASE LETTERS				8 INCH UPPER CASE LETTERS				LETTERS	6 INCH LOWER CASE LETTERS			
	SERIES		SERIES		SERIES		SERIES			SERIES		SERIES	
	C	D	C	D	C	D	C	D		C	D	C	D
A	36	50	50	65	a	35	42						
B	32	40	43	53	b	35	42						
C	32	40	43	53	c	35	41						
D	32	40	43	53	d	35	42						
E	30	35	40	47	e	35	42						
F	30	35	40	47	f	23	26						
G	32	40	43	53	g	35	42						
H	32	40	43	53	h	35	42						
I	07	07	11	12	i	11	11						
J	30	36	40	50	j	20	22						
K	32	41	43	54	k	35	42						
L	30	35	40	47	l	11	11						
M	37	45	51	61	m	60	70						
N	32	40	43	53	n	35	42						
O	34	42	45	55	o	36	43						
P	32	40	43	53	p	35	42						
Q	34	42	45	55	q	35	42						
R	32	40	43	53	r	26	32						
S	32	40	43	53	s	36	42						
T	30	35	40	47	t	27	32						
U	32	40	43	53	u	35	42						
V	35	44	47	60	v	42	47						
W	44	52	60	70	w	55	64						
X	34	40	45	53	x	44	51						
Y	36	50	50	66	y	46	53						
Z	32	40	43	53	z	36	43						

NUMBER	6 INCH SERIES		8 INCH SERIES	
	C	D	C	D
1	12	14	15	20
2	32	40	43	53
3	32	40	43	53
4	35	43	47	57
5	32	40	43	53
6	32	40	43	53
7	32	40	43	53
8	32	40	43	53
9	32	40	43	53
0	34	42	45	55

FILE NAME: sign.dgn
 SHEET NO.: 12 OF 13
 DATE: SEPT 7, 2004
 PROJECT NO.: H0312-18

REVISIONS	
NAME	DATE
D.A.Z./D.A.G.	11/90
	6/98
CADD	10/00

Illinois Department of Transportation
 DISTRICT I

MAST ARM MOUNTED STREET NAME SIGNS

SCALE: NONE
 DATE:
 DRAWN BY: ROB
 DESIGNED BY: JHE
 CHECKED BY: DAO