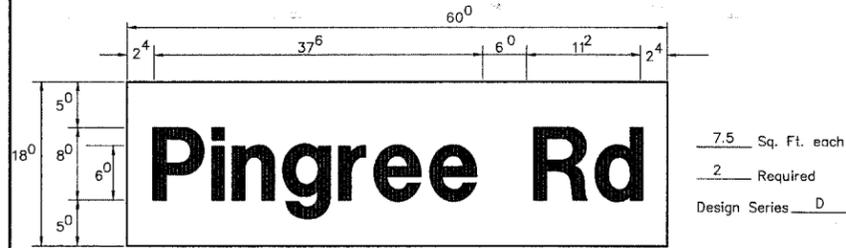
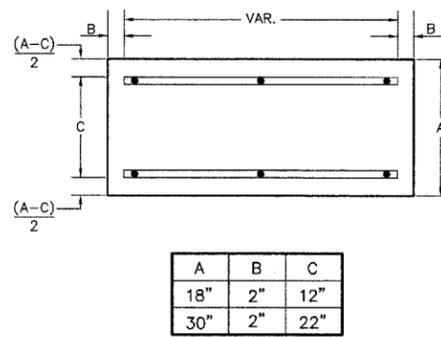


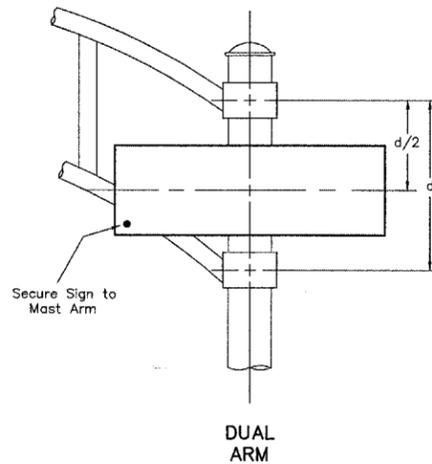
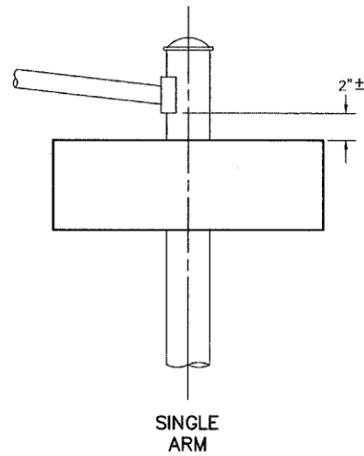
PANEL SIGN DESIGN TYPE 1



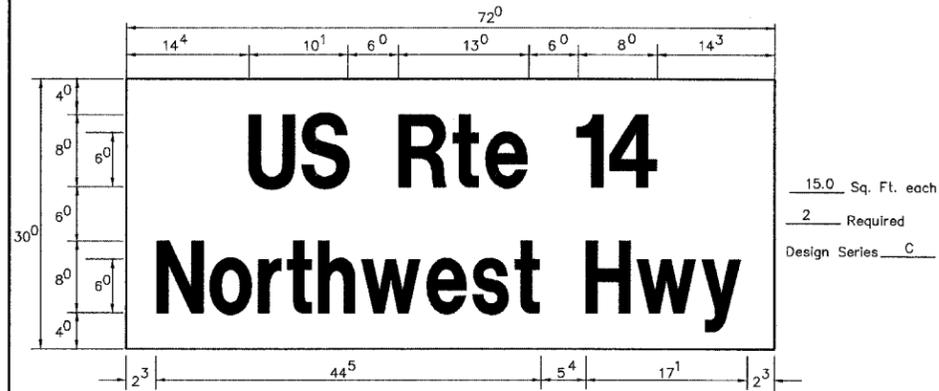
SUPPORTING CHANNELS



SIGNFIX ALUMINUM CHANNEL FRAMING SYSTEM
shall be used. See Note #5



PANEL SIGN DESIGN TYPE 2



EXAMPLE, 2³ DENOTES 3/8"

UPPER CASE TO LOWER CASE SPACING CHART
8 - 6 INCH SERIES "C & D"

| FIRST LETTER | SECOND LETTER | | | | | | | | | | | | | | | |
|--------------|----------------|----------------|----------------|----------------|----------------|----------------|----------------|----------------|----------------|----------------|----------------|----------------|----------------|----------------|----------------|----------------|
| | a c d e | | b h i k l | | f w | | j | | s t | | v y | | x | | z | |
| | C | D | C | D | C | D | C | D | C | D | C | D | C | D | C | D |
| A W X | 1 ² | 1 ⁴ | 1 ⁴ | 1 ⁵ | 1 ² | 1 ⁴ | 0 ⁶ | 1 ⁰ | 1 ¹ | 1 ⁴ | 0 ⁶ | 1 ⁰ | 1 ¹ | 1 ² | 1 ² | 1 ⁴ |
| B | 1 ⁴ | 1 ⁵ | 2 ⁰ | 2 ¹ | 1 ⁴ | 1 ⁵ | 1 ¹ | 1 ² | 1 ⁴ | 1 ⁵ | 1 ² | 1 ⁴ | 1 ² | 1 ⁴ | 1 ⁶ | 1 ⁷ |
| C E G | 1 ⁴ | 1 ⁵ | 2 ⁰ | 2 ¹ | 1 ² | 1 ⁴ | 0 ⁶ | 1 ⁰ | 1 ² | 1 ⁴ | 1 ² | 1 ⁴ | 1 ⁴ | 1 ⁵ | 1 ⁴ | 1 ⁵ |
| D O Q R | 1 ⁴ | 1 ⁵ | 2 ⁰ | 2 ¹ | 1 ⁴ | 1 ⁵ | 0 ⁶ | 1 ⁰ | 1 ² | 1 ⁴ | 1 ² | 1 ⁴ | 1 ⁴ | 1 ⁵ | 1 ⁴ | 1 ⁵ |
| F | 0 ⁵ | 0 ⁶ | 1 ⁴ | 1 ⁵ | 0 ⁶ | 1 ⁰ | 0 ⁵ | 0 ⁶ | 0 ⁶ | 1 ⁰ | 0 ⁶ | 1 ⁰ | 0 ⁶ | 1 ⁰ | 1 ¹ | 1 ² |
| H I M N | 2 ⁰ | 2 ¹ | 2 ² | 2 ⁴ | 2 ⁰ | 2 ¹ | 1 ⁴ | 1 ⁵ | 1 ⁶ | 1 ⁷ | 1 ⁶ | 1 ⁷ | 2 ⁰ | 2 ¹ | 2 ⁰ | 2 ¹ |
| J U | 2 ⁰ | 2 ¹ | 2 ⁰ | 2 ¹ | 1 ⁶ | 1 ⁷ | 1 ⁴ | 1 ⁵ | 1 ⁶ | 1 ⁷ | 1 ⁶ | 1 ⁷ | 1 ⁶ | 1 ⁷ | 2 ⁰ | 2 ¹ |
| K L | 1 ¹ | 1 ² | 1 ⁶ | 1 ⁷ | 1 ¹ | 1 ² | 0 ⁵ | 0 ⁶ | 1 ¹ | 1 ² | 1 ¹ | 1 ² | 1 ¹ | 1 ² | 1 ² | 1 ⁴ |
| P | 1 ² | 1 ⁴ | 1 ⁴ | 1 ⁵ | 1 ² | 1 ⁴ | 0 ⁵ | 0 ⁶ | 1 ¹ | 1 ² | 1 ¹ | 1 ² | 1 ² | 1 ⁴ | 1 ² | 1 ⁴ |
| S | 1 ² | 1 ⁴ | 1 ⁶ | 1 ⁷ | 1 ² | 1 ⁴ | 0 ⁶ | 1 ⁰ | 1 ² | 1 ⁴ | 1 ² | 1 ⁴ | 1 ² | 1 ⁴ | 1 ² | 1 ⁴ |
| T | 1 ¹ | 1 ² | 1 ⁶ | 1 ⁷ | 0 ⁶ | 1 ⁰ | 0 ⁶ | 1 ⁰ | 1 ¹ | 1 ² | 1 ¹ | 1 ² | 1 ¹ | 1 ² | 1 ² | 1 ⁴ |
| V | 0 ⁶ | 1 ⁰ | 1 ⁴ | 1 ⁵ | 1 ¹ | 1 ² | 0 ⁶ | 1 ⁰ | 1 ² | 1 ⁴ | 1 ² | 1 ⁴ | 1 ² | 1 ⁴ | 1 ² | 1 ⁴ |
| Y | 0 ⁵ | 0 ⁶ | 1 ⁴ | 1 ⁵ | 0 ⁶ | 1 ⁰ | 0 ⁵ | 0 ⁶ | 0 ⁵ | 0 ⁷ | 0 ⁵ | 0 ⁶ | 0 ⁶ | 1 ⁰ | 1 ¹ | 1 ² |
| Z | 1 ⁶ | 1 ⁷ | 2 ² | 2 ⁴ | 1 ⁶ | 1 ⁷ | 1 ² | 1 ⁴ | 1 ⁶ | 1 ⁷ | 1 ⁶ | 1 ⁷ | 1 ⁶ | 1 ⁷ | 2 ⁰ | 2 ¹ |

LOWER CASE TO LOWER CASE SPACING CHART
6" SERIES "C & D"

| FIRST LETTER | SECOND LETTER | | | | | | | | | | | | | | | |
|--------------|----------------|----------------|----------------|----------------|----------------|----------------|----------------|----------------|----------------|----------------|----------------|----------------|----------------|----------------|----------------|----------------|
| | a c d e | | b h i k l | | f w | | j | | s t | | v y | | x | | z | |
| | C | D | C | D | C | D | C | D | C | D | C | D | C | D | C | D |
| a d h g i j | 1 ⁶ | 1 ⁷ | 2 ² | 2 ⁴ | 1 ⁶ | 1 ⁷ | 1 ² | 1 ⁴ | 1 ⁴ | 1 ⁵ | 1 ⁴ | 1 ⁵ | 1 ⁶ | 1 ⁷ | 1 ⁶ | 1 ⁷ |
| l m n q u | 1 ⁶ | 1 ⁷ | 2 ² | 2 ⁴ | 1 ⁶ | 1 ⁷ | 1 ² | 1 ⁴ | 1 ⁴ | 1 ⁵ | 1 ⁴ | 1 ⁵ | 1 ⁶ | 1 ⁷ | 1 ⁶ | 1 ⁷ |
| b f k o p s | 1 ² | 1 ⁴ | 1 ⁶ | 1 ⁷ | 1 ¹ | 1 ² | 0 ⁵ | 0 ⁶ | 1 ¹ | 1 ² | 1 ¹ | 1 ² | 1 ² | 1 ⁴ | 1 ² | 1 ⁴ |
| c e | 1 ² | 1 ⁴ | 1 ⁶ | 1 ⁷ | 1 ² | 1 ⁴ | 0 ⁶ | 1 ⁰ | 1 ² | 1 ⁴ | 1 ² | 1 ⁴ | 1 ² | 1 ⁴ | 1 ² | 1 ⁴ |
| r | 0 ⁶ | 1 ⁰ | 1 ² | 1 ⁴ | 0 ⁶ | 1 ⁰ | 0 ³ | 0 ³ | 0 ⁵ | 0 ⁶ | 0 ⁵ | 0 ⁶ | 0 ⁶ | 1 ⁰ | 0 ⁶ | 1 ⁰ |
| t z | 1 ² | 1 ⁴ | 1 ⁶ | 1 ⁷ | 1 ² | 1 ⁴ | 0 ⁶ | 1 ⁰ | 1 ¹ | 1 ² | 1 ¹ | 1 ² | 1 ² | 1 ⁴ | 1 ² | 1 ⁴ |
| v y | 1 ¹ | 1 ² | 1 ⁴ | 1 ⁵ | 1 ¹ | 1 ² | 0 ⁵ | 0 ⁶ | 0 ⁶ | 1 ⁰ | 0 ⁶ | 1 ⁰ | 1 ¹ | 1 ² | 1 ¹ | 1 ² |
| w | 1 ¹ | 1 ² | 1 ⁴ | 1 ⁵ | 1 ¹ | 1 ² | 0 ⁵ | 0 ⁶ | 1 ¹ | 1 ² | 1 ¹ | 1 ² | 1 ¹ | 1 ² | 1 ² | 1 ⁴ |
| x | 1 ² | 1 ⁴ | 1 ⁶ | 1 ⁷ | 1 ¹ | 1 ² | 0 ⁵ | 0 ⁶ | 1 ¹ | 1 ² | 1 ¹ | 1 ² | 1 ¹ | 1 ² | 1 ² | 1 ⁴ |

NUMBER TO NUMBER SPACING CHART
8 INCH SERIES "C & D"

| FIRST NUMBER | SECOND NUMBER | | | | | | | | | | | | | | | | | | | |
|--------------|----------------|----------------|----------------|----------------|----------------|----------------|----------------|----------------|----------------|----------------|----------------|----------------|----------------|----------------|----------------|----------------|----------------|----------------|----------------|----------------|
| | 0 | | 1 | | 2 | | 3 | | 4 | | 5 | | 6 | | 7 | | 8 | | 9 | |
| | C | D | C | D | C | D | C | D | C | D | C | D | C | D | C | D | C | D | C | D |
| 0 9 | 1 ⁶ | 1 ⁷ | 1 ⁶ | 1 ⁷ | 1 ⁴ | 1 ⁵ | 1 ² | 1 ⁴ | 1 ⁴ | 1 ⁵ | 1 ⁴ | 1 ⁵ | 1 ⁶ | 1 ⁷ | 1 ² | 1 ⁴ | 1 ⁶ | 1 ⁷ | 1 ⁶ | 1 ⁷ |
| 1 | 2 ⁰ | 2 ¹ | 2 ⁰ | 2 ¹ | 2 ⁰ | 2 ¹ | 1 ⁶ | 1 ⁷ | 1 ⁴ | 1 ⁵ | 2 ⁰ | 2 ¹ | 2 ⁰ | 2 ¹ | 1 ⁴ | 1 ⁵ | 2 ⁰ | 2 ¹ | 2 ⁰ | 2 ¹ |
| 2 3 4 | 1 ⁴ | 1 ⁵ | 1 ⁴ | 1 ⁵ | 1 ⁴ | 1 ⁵ | 1 ² | 1 ⁴ | 1 ² | 1 ⁴ | 1 ⁴ | 1 ⁵ | 1 ⁴ | 1 ⁵ | 1 ¹ | 1 ² | 1 ⁶ | 1 ⁷ | 1 ⁴ | 1 ⁵ |
| 5 | 1 ⁴ | 1 ⁵ | 1 ⁴ | 1 ⁵ | 1 ⁴ | 1 ⁵ | 1 ¹ | 1 ² | 1 ¹ | 1 ² | 1 ⁴ | 1 ⁵ | 1 ⁴ | 1 ⁵ | 1 ¹ | 1 ² | 1 ⁴ | 1 ⁵ | 1 ⁴ | 1 ⁵ |
| 6 | 1 ⁶ | 1 ⁷ | 1 ⁴ | 1 ⁵ | 1 ⁴ | 1 ⁵ | 1 ² | 1 ⁵ | 1 ² | 1 ⁴ | 1 ⁴ | 1 ⁵ | 1 ⁴ | 1 ⁵ | 1 ¹ | 1 ² | 1 ⁴ | 1 ⁵ | 1 ⁴ | 1 ⁵ |
| 7 | 1 ² | 1 ⁴ | 1 ² | 1 ⁴ | 1 ⁴ | 1 ⁵ | 1 ² | 1 ⁵ | 0 ⁵ | 0 ⁶ | 1 ² | 1 ⁴ | 1 ⁴ | 1 ⁵ | 1 ¹ | 1 ² | 1 ⁴ | 1 ⁵ | 1 ² | 1 ⁴ |
| 8 | 1 ⁶ | 1 ⁷ | 1 ⁶ | 1 ⁷ | 1 ⁴ | 1 ⁵ | 1 ² | 1 ⁵ | 1 ² | 1 ⁴ | 1 ⁴ | 1 ⁵ | 1 ⁶ | 1 ⁷ | 1 ² | 1 ⁴ | 1 ⁶ | 1 ⁷ | 1 ⁴ | 1 ⁵ |

UPPER AND LOWER CASE LETTER WIDTHS

| LETTERS | 6 INCH UPPER CASE LETTERS | | 8 INCH UPPER CASE LETTERS | | LETTERS | 6 INCH LOWER CASE LETTERS | |
|---------|---------------------------|----------------|---------------------------|----------------|---------|---------------------------|----------------|
| | SERIES | | SERIES | | | SERIES | |
| | C | D | C | D | | C | D |
| A | 3 ⁶ | 5 ⁰ | 5 ⁰ | 6 ⁵ | a | 3 ⁵ | 4 ² |
| B | 3 ² | 4 ⁰ | 4 ³ | 5 ³ | b | 3 ⁵ | 4 ² |
| C | 3 ² | 4 ⁰ | 4 ³ | 5 ³ | c | 3 ⁵ | 4 ¹ |
| D | 3 ² | 4 ⁰ | 4 ³ | 5 ³ | d | 3 ⁵ | 4 ² |
| E | 3 ⁰ | 3 ⁵ | 4 ⁰ | 4 ⁷ | e | 3 ⁵ | 4 ² |
| F | 3 ⁰ | 3 ⁵ | 4 ⁰ | 4 ⁷ | f | 2 ³ | 2 ⁶ |
| G | 3 ² | 4 ⁰ | 4 ³ | 5 ³ | g | 3 ⁵ | 4 ² |
| H | 3 ² | 4 ⁰ | 4 ³ | 5 ³ | h | 3 ⁵ | 4 ² |
| I | 0 ⁷ | 0 ⁷ | 1 ¹ | 1 ² | i | 1 ¹ | 1 ¹ |
| J | 3 ⁰ | 3 ⁶ | 4 ⁰ | 5 ⁰ | j | 2 ⁰ | 2 ² |
| K | 3 ² | 4 ¹ | 4 ³ | 5 ⁴ | k | 3 ⁵ | 4 ² |
| L | 3 ⁰ | 3 ⁵ | 4 ⁰ | 4 ⁷ | l | 1 ¹ | 1 ¹ |
| M | 3 ⁷ | 4 ⁵ | 5 ¹ | 6 ¹ | m | 6 ⁰ | 7 ⁰ |
| N | 3 ² | 4 ⁰ | 4 ³ | 5 ³ | n | 3 ⁵ | 4 ² |
| O | 3 ⁴ | 4 ² | 4 ⁵ | 5 ⁵ | o | 3 ⁶ | 4 ³ |
| P | 3 ² | 4 ⁰ | 4 ³ | 5 ³ | p | 3 ⁵ | 4 ² |
| Q | 3 ⁴ | 4 ² | 4 ⁵ | 5 ⁵ | q | 3 ⁵ | 4 ² |
| R | 3 ² | 4 ⁰ | 4 ³ | 5 ³ | r | 2 ⁶ | 3 ² |
| S | 3 ² | 4 ⁰ | 4 ³ | 5 ³ | s | 3 ⁶ | 4 ² |
| T | 3 ⁰ | 3 ⁵ | 4 ⁰ | 4 ⁷ | t | 2 ⁷ | 3 ² |
| U | 3 ² | 4 ⁰ | 4 ³ | 5 ³ | u | 3 ⁵ | 4 ² |
| V | 3 ⁵ | 4 ⁴ | 4 ⁷ | 6 ⁰ | v | 4 ² | 4 ⁷ |
| W | 4 ⁴ | 5 ² | 6 ⁰ | 7 ⁰ | w | 5 ⁵ | 6 ⁴ |
| X | 3 ⁴ | 4 ⁰ | 4 ⁵ | 5 ³ | x | 4 ⁴ | 5 ¹ |
| Y | 3 ⁶ | 5 ⁰ | 5 ⁰ | 6 ⁶ | y | 4 ⁶ | 5 ³ |
| Z | 3 ² | 4 ⁰ | 4 ³ | 5 ³ | z | 3 ⁶ | 4 ³ |

| NUMBER | 6 INCH SERIES | | 8 INCH SERIES | |
|--------|----------------|----------------|----------------|----------------|
| | C | D | C | D |
| 1 | 1 ² | 1 ⁴ | 1 ⁵ | 2 ⁰ |
| 2 | 3 ² | 4 ⁰ | 4 ³ | 5 ³ |
| 3 | 3 ² | 4 ⁰ | 4 ³ | 5 ³ |
| 4 | 3 ⁵ | 4 ³ | 4 ⁷ | 5 ⁷ |
| 5 | 3 ² | 4 ⁰ | 4 ³ | 5 ³ |
| 6 | 3 ² | 4 ⁰ | 4 ³ | 5 ³ |
| 7 | 3 ² | 4 ⁰ | 4 ³ | 5 ³ |
| 8 | 3 ² | 4 ⁰ | 4 ³ | 5 ³ |
| 9 | 3 ² | 4 ⁰ | 4 ³ | 5 ³ |
| 0 | 3 ⁴ | 4 ² | 4 ⁵ | 5 ⁵ |

GENERAL NOTES

- WHERE MAST ARM MOUNTED STREET NAME SIGNS ARE SPECIFIED, THE MAST ARM ASSEMBLY AND POLES SHALL BE DESIGNED TO SUPPORT THE LOADINGS CALLED FOR ON STANDARDS 834001 THROUGH 834011, AS APPLICABLE, PLUS A 2'-6" BY 6'-0" SIGN PANEL MOUNTED AS SHOWN. THE DESIGN SHALL BE IN ACCORDANCE WITH THE REQUIREMENTS OF THE CURRENT "STANDARD SPECIFICATIONS FOR STRUCTURAL SUPPORTS FOR HIGHWAY SIGNS, LUMINAIRES AND TRAFFIC SIGNALS" AS PUBLISHED BY THE AMERICAN ASSOCIATION OF STATE HIGHWAY AND TRANSPORTATION OFFICIALS FOR 80 M.P.H. WIND VELOCITY.
- ALL SIGNS SHALL HAVE A WHITE REFLECTORIZED LEGEND AND BORDER ON A GREEN REFLECTORIZED BACKGROUND, TYPE A SHEETING.
- THE SIGN LENGTH SHOULD BE INCREASED IN 6-INCH INCREMENTS, BUT THE OVERALL LENGTH SHOULD NOT EXCEED 6'-0"
- ALL BORDERS SHALL BE 3/4" WIDE AND CORNER RADIUS SHALL BE 2-1/4".
- SIGNFIX ALUMINUM CHANNEL FRAMING SYSTEM SHALL BE USED FOR ALL SIGNS ATTACHED TO SIGNAL POLES AND POSTS. LOCAL SUPPLIERS OF THE SIGNFIX ALUMINUM CHANNEL FRAMING SYSTEM ARE:
 - A.K.T. CORPORATION, SCHAUMBURG, IL
 - AMERICAN FABRICATION CO., CHICAGO HEIGHTS, IL
 - TUCKER COMPANY, INC., WAUWATOSA, WI
 - WESTERN TRAFFIC CONTROL, INC., CICERO, IL

PARTS LISTING:

| | |
|--------------|-----------------------------|
| SIGN CHANNEL | PART #HPN053 (MED. CHANNEL) |
| | |