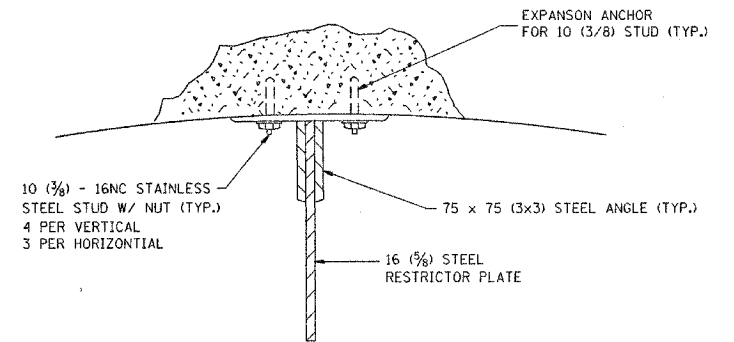
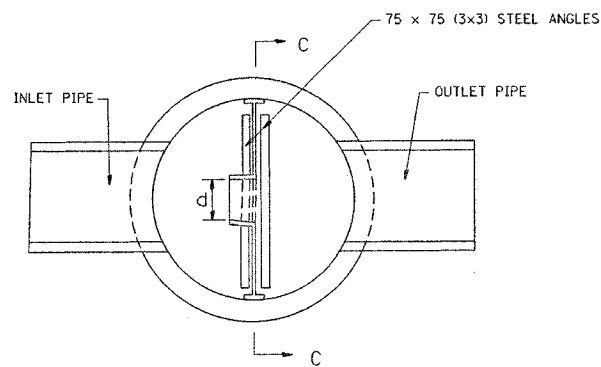
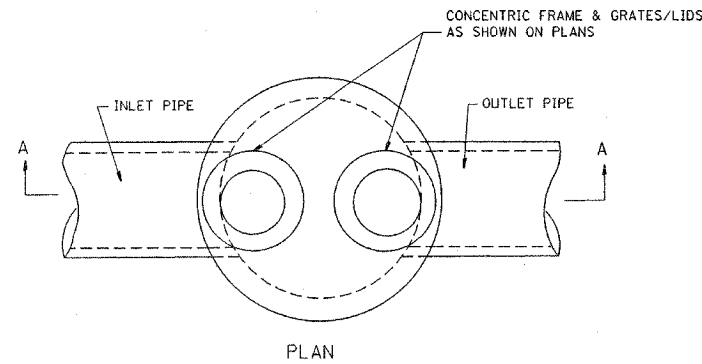
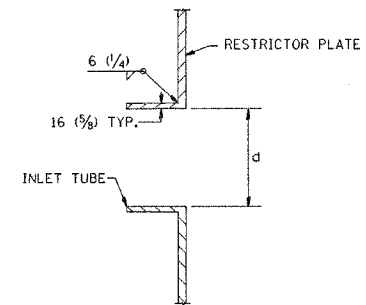
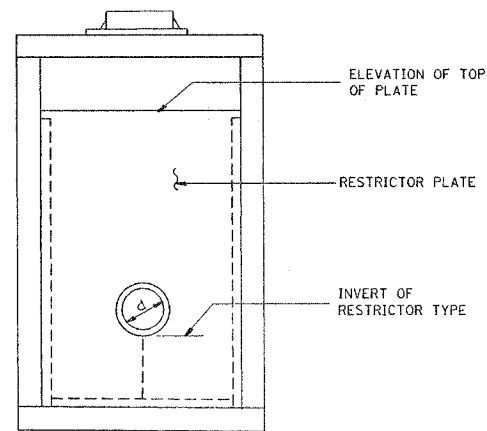
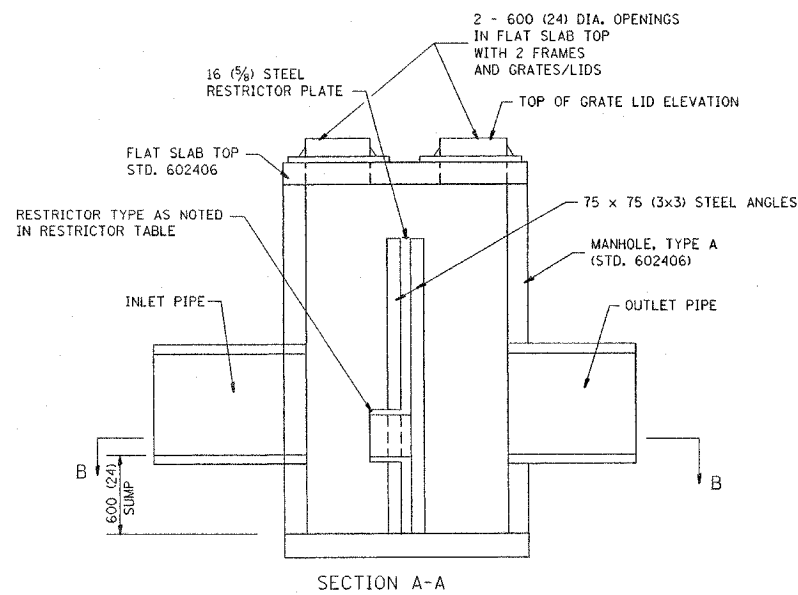


P. A. ETC.	SECTION	COUNTY	TOTAL SHEETS	SHEET NO.
			146	83
STA.	TO STA.			
FED. ROAD DIST. NO.	ILLINOIS	FED. AID PROJECT		



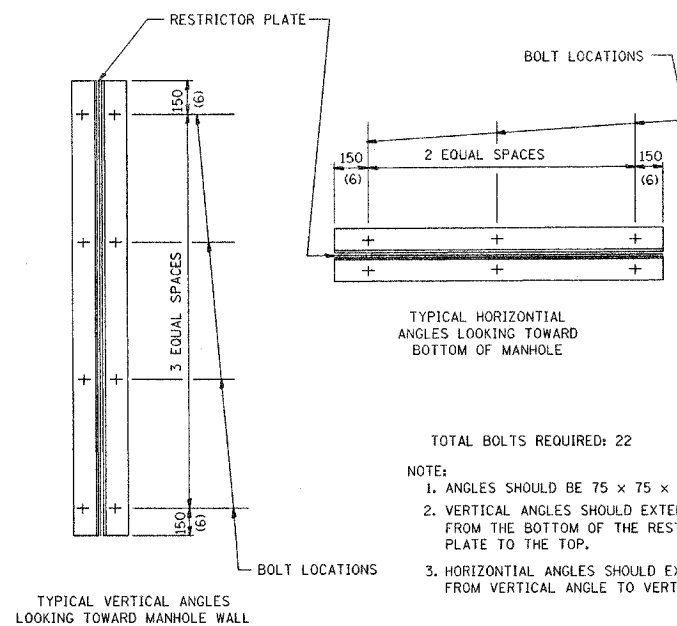
ANGLE FASTENER DETAIL

- NOTES:
1. ALL STEEL ANGLES AND PLATES TO BE GALVANIZED AFTER FABRICATION.
 2. ALL RESTRICTOR PLATES, ANGLES AND HARDWARE TO BE INCLUDED IN THE COST OF THE MANHOLE.



STRUCTURE NUMBER	STATION	MANHOLE DIAMETER	FRAME AND GRATE	RESTRICTOR TYPE	INSIDE RESTRICTOR TYPE DIAMETER mm (in.) (d)	INVERT OF RESTRICTOR TYPE	ELEVATION OF TOP OF PLATE OVERFLOW
128	10+75	8	TIFCL	2	8	688.84	693.55
256	23+00	6	TIFCL	2	12	683.29	687.20
379	36+85	6	TIFCL	2	18	672.64	676.26
470	51+65	6	TIFCL	2	12.25	658.43	660.59
472	49+00	6	TIFCL	2	8.25	658.69	662.45
570	53+00	6	TIFCL	2	11.25	656.65	660.96

BASIS OF PAYMENT: MANHOLE, TYPE A RESTRICTOR PLATE WITH THE FRAME AND GRATE AND DIAMETER SPECIFIED.



RESTRICTOR TYPE					
1	2	3	4	5	6
RE-ENTRANT TUBE	SHARP EDGED	SQUARE EDGED	RE-ENTRANT TUBE	SQUARE EDGED	ROUNDED
LENGTH: 1/2 TO 1 DIA.		STREAM CLEARS SIDES	LENGTH: 2-1/2 DIA.	LENGTH: 2-1/2 DIA.	
C=.52	C=.61	C=.61	C=.73	C=.82	C=.98

VALUES OF "C" FOR CIRCULAR AND SQUARE ORIFICES

ALL DIMENSIONS ARE IN MILLIMETERS (INCHES) UNLESS OTHERWISE SHOWN.

ILLINOIS DEPARTMENT OF TRANSPORTATION

MANHOLE WITH RESTRICTOR PLATE

REVISIONS	
NAME	DATE
R. SHAH	09/09/94
R. SHAH	10/25/94

SCALE: NONE

DRAWN BY

DATE **DATE**

CHECKED BY

BD600-04 (BD-12)