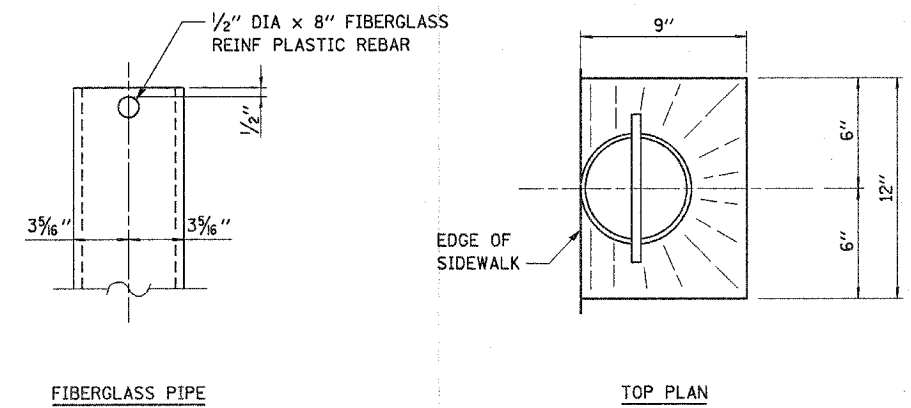
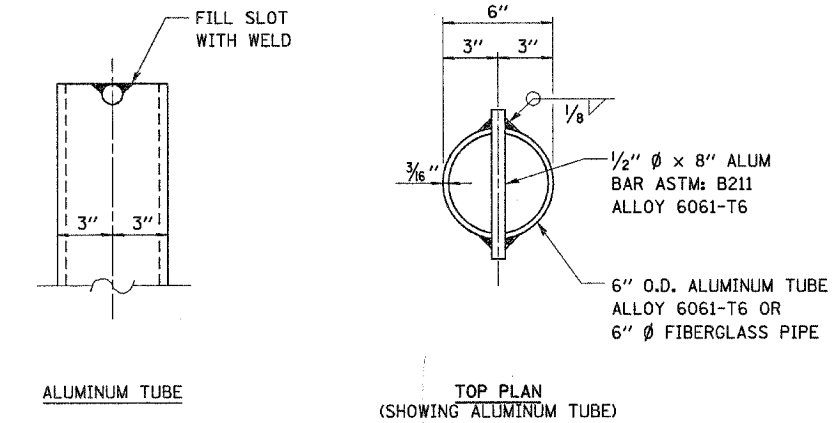
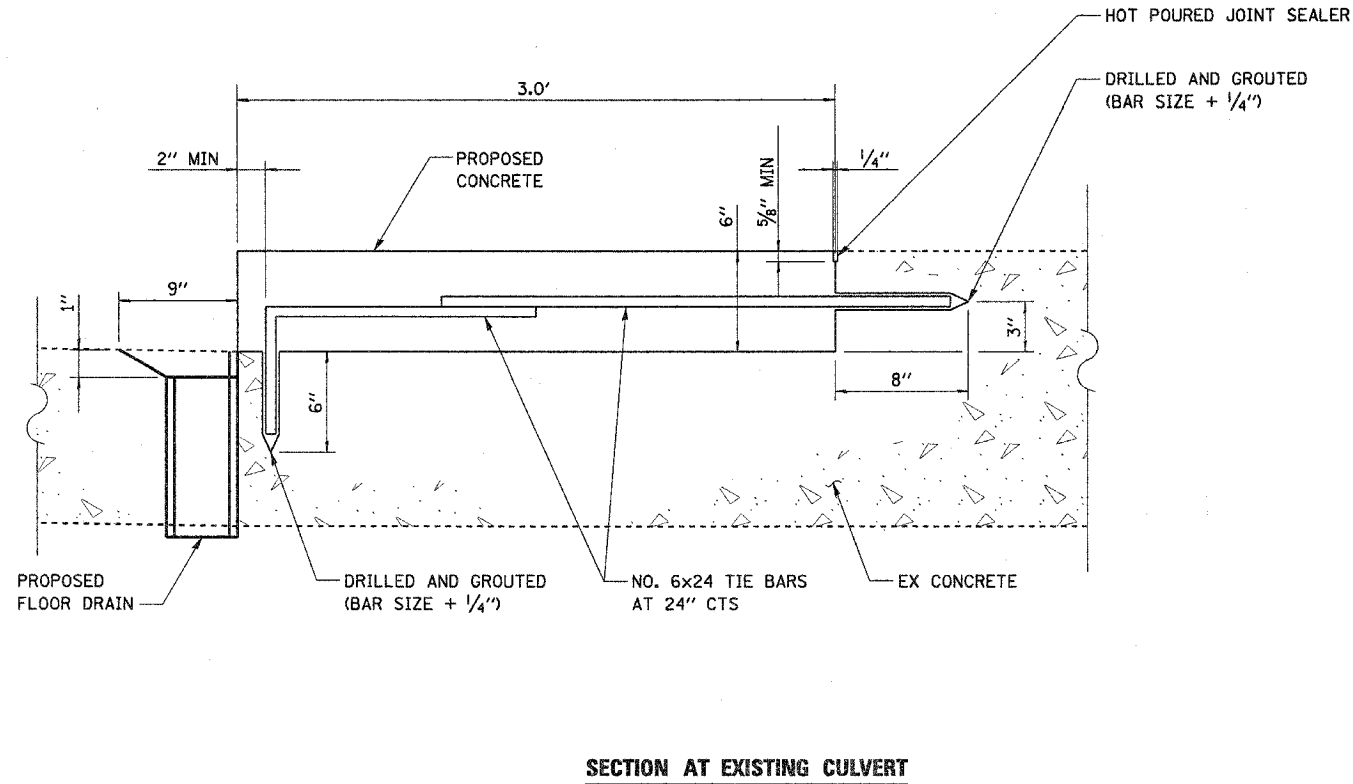


F.A.U. RTE.	SECTION	COUNTY	TOTAL SHEETS	SHEET NO.
2652	00-00069-00-PV	DUPAGE	146	84
STA. 10+70.70		TO STA. 66+16.00		
FED. ROAD DIST. NO.	ILLINOIS	FED. AID PROJECT		
CONTRACT NO. 83781				



FLOOR DRAIN DETAILS

NOTES:

- EXISTING FLOOR DRAINS ARE TO BE FILLED PRIOR TO PLACEMENT OF SIDEWALK.
- GROUT SHALL BE USED FOR FLOOR DRAIN PIPE INSTALLATION AND FINAL SHAPING.



REVISIONS	
NAME	DATE

VILLAGE OF VILLA PARK, ILLINOIS

SIDEWALK WIDENING AND FLOOR DRAIN DETAIL

SCALE: NONE
DATE: 11-NOV-2004

DRAWN BY: E.D.
CHECKED BY: J.T.G.

PLAN	SURVEYED	BY	DATE
	SCALE		
	ALIGNED		
	CHECKED		
	BY		
	NOTED		
	STRUCTURE		
	NOTATING		
	CHRD		
	NO.		

PROFILE	SURVEYED	BY	DATE
	SCALE		
	ALIGNED		
	CHECKED		
	BY		
	NOTED		
	STRUCTURE		
	NOTATING		
	CHRD		
	NO.		