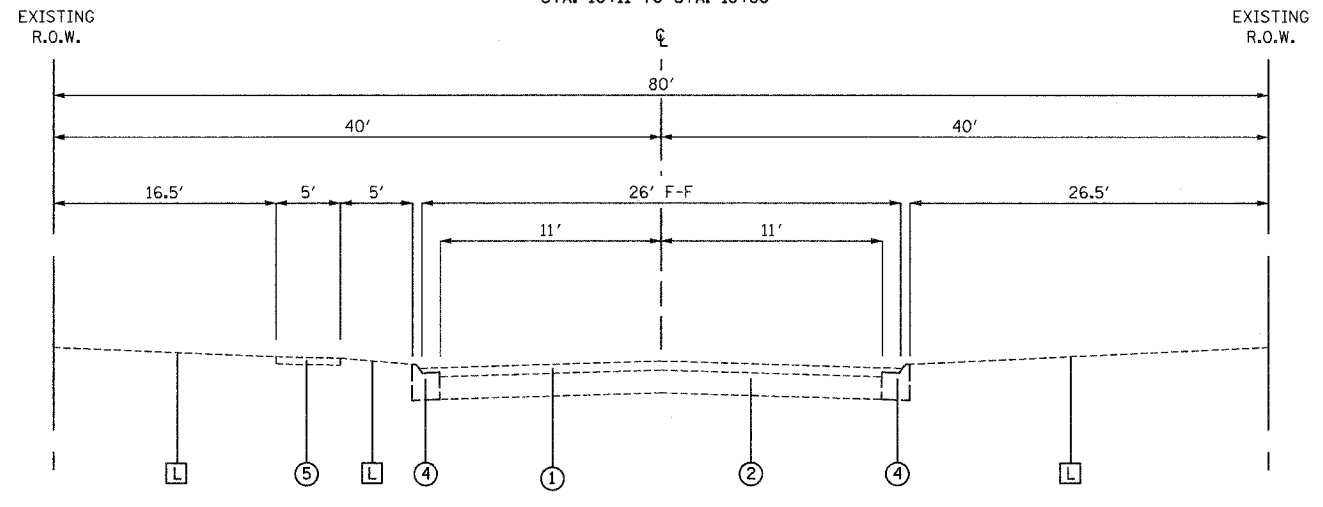
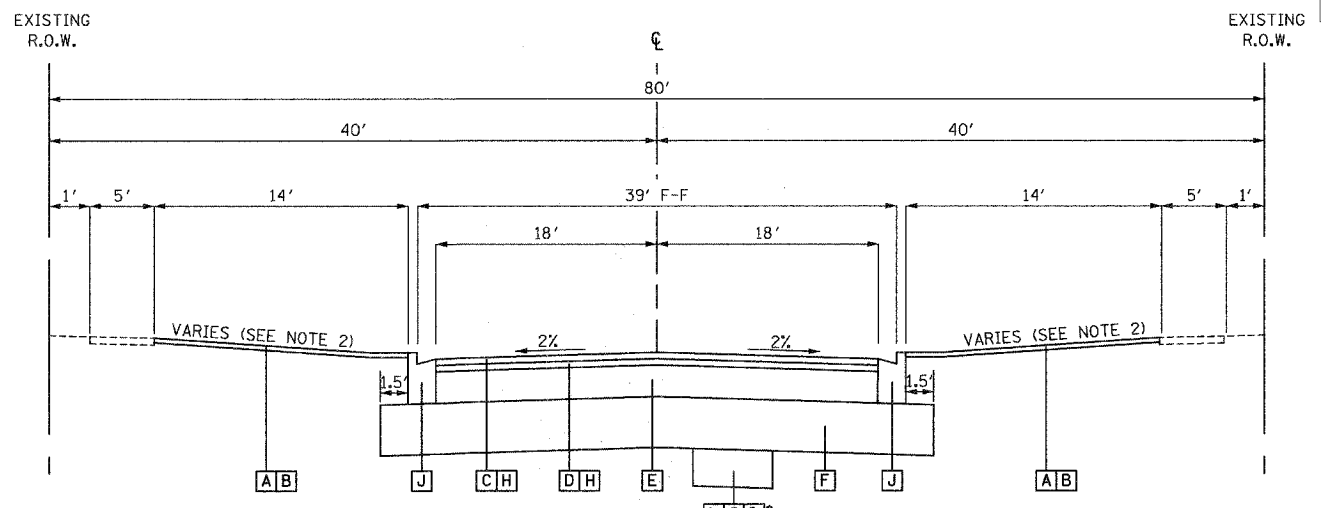


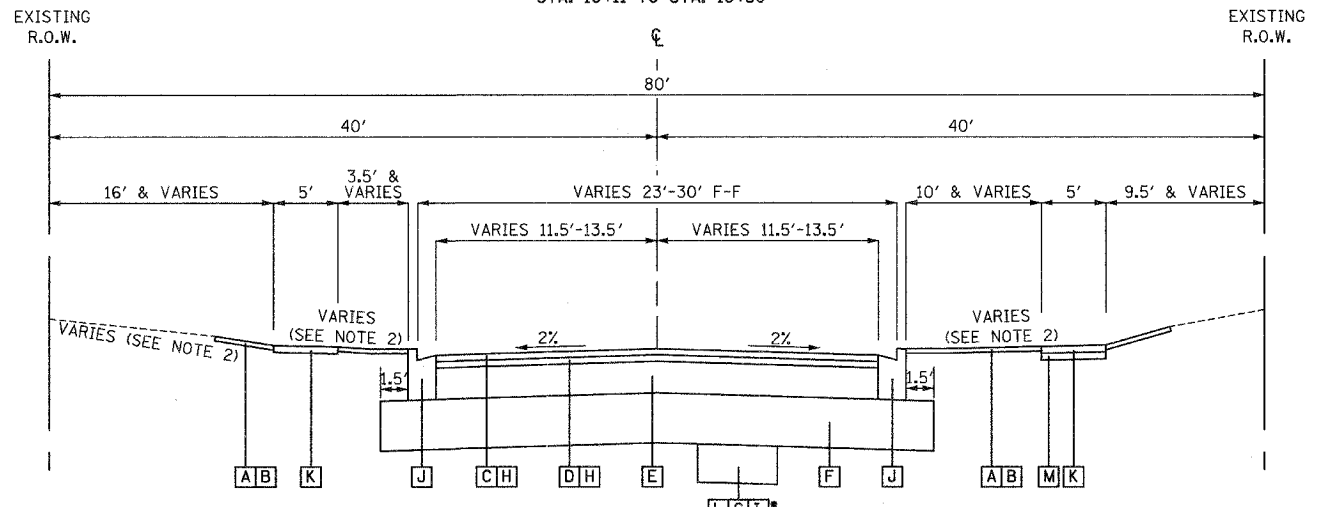
EXISTING TYPICAL SECTION
FOURTH AVENUE
STA. 10+11 TO STA. 18+80



EXISTING TYPICAL SECTION
FOURTH AVENUE
STA. 18+80 TO STA. 26+07



PROPOSED TYPICAL SECTION
FOURTH AVENUE
STA. 10+11 TO STA. 16+50



PROPOSED TYPICAL SECTION
FOURTH AVENUE
STA. 16+50 TO STA. 26+07

EXISTING CONDITIONS

- ① EXISTING BITUMINOUS SURFACE, 3-6" (TO BE PAID FOR AS PAVEMENT REMOVAL, SEE NOTE 3)
- ② EXISTING AGGREGATE BASE, 8" (TO BE PAID FOR AS PAVEMENT REMOVAL)
- ③ EXISTING M-4.24 CONCRETE CURB AND GUTTER (TO BE PAID FOR AS COMBINATION CURB AND GUTTER REMOVAL)
- ④ EXISTING M-4.12 CONCRETE CURB AND GUTTER (TO BE PAID FOR AS COMBINATION CURB AND GUTTER REMOVAL)
- ⑤ EXISTING P.C.C. SIDEWALK (TO BE PAID FOR AS SIDEWALK REMOVAL)

NOTES

- 1. P.C.C. SIDEWALK, 5" SHALL BE PLACED WHERE INDICATED ON PLANS OR AS DIRECTED BY THE ENGINEER.
- 2. SEE CROSS SECTIONS FOR PARKWAY ELEVATIONS AND SLOPES.
- 3. REMOVAL AND DISPOSAL OF BITUMINOUS SURFACE OVERLAYING THE GUTTER IS INCIDENTAL TO CONCRETE CURB AND GUTTER REMOVAL.

PROPOSED CONDITIONS

- (A) SODDING, SALT TOLERANT
- (B) TOPSOIL, FURNISH AND PLACE, (4")
- (C) BITUMINOUS CONCRETE SURFACE COURSE, SUPERPAVE MIX "D", N50 (1 1/2")
- (D) BITUMINOUS CONCRETE BINDER COURSE, SUPERPAVE, IL-19, N50 (2 1/2")
- (E) BITUMINOUS BASE COURSE, SUPERPAVE, (10")
- (F) AGGREGATE SUBGRADE, 12"
- (G) POROUS GRANULAR EMBANKMENT, SUBGRADE*
- (H) BITUMINOUS MATERIAL (PRIME COAT) & AGGREGATE (PRIME COAT)
- (I) GEOTECHNICAL FABRIC FOR GROUND STABILIZATION*
- (J) COMBINATION CURB AND GUTTER, TYPE B-6.18
- (K) P.C.C. SIDEWALK, 5" (SEE NOTE 1)
- (L) REMOVAL AND DISPOSAL OF UNSUITABLE MATERIAL
- (M) SUBBASE GRANULAR MATERIAL, TYPE B, 4"

MIXTURE DESIGN TABLE

ITEM	AC TYPE	VOIDS	RAP %
BITUMINOUS CONCRETE SURFACE COURSE, SUPERPAVE MIX "D", N50	PG 64-22	4% @ 50 GYRATION	15%
BITUMINOUS CONCRETE BINDER COURSE, SUPERPAVE IL-19, N50	PG 58-22	4% @ 50 GYRATION	25%
BITUMINOUS BASE COURSE, SUPERPAVE	PG 58-22	2% @ 50 GYRATION	50%
BITUMINOUS CONCRETE SURFACE COURSE, SUPERPAVE MIX "C", N50**	PG 64-22	4% @ 50 GYRATION	50%
CLASS D PATCHES, TYPE I - IV, 6 INCH	PG 64-22	4% @ 70 GYRATION	15%
LEVELING BINDER (MACHINE METHOD), SUPERPAVE N50	PG 64-22	4% @ 50 GYRATION	15%

* AT LOCATIONS IN THE FIELD DETERMINED BY THE ENGINEER
** TO BE USED FOR BITUMINOUS DRIVEWAYS

FOURTH AVENUE

STRUCTURAL DESIGN FACTOR:	YEAR 2024
PV = 4.465	SU = 188
ROAD/STREET CLASSIFICATION:	CLASS II
PERCENT OF STRUCTURAL DESIGN TRAFFIC IN DESIGN LANE:	
P = 95	S = 4
TRAFFIC FACTOR:	ACTUAL TF = 0.4
	MINIMUM TF = 0.5
AC GRADE:	BINDER = PG 58-22
	SURFACE = PG 64-22
SUBGRADE SUPPORT RATING:	
SSR = POOR (STA. 10+11 TO STA. 42+35)	
IBR = 2.0 (STA. 10+11 TO STA. 42+35)	

REVISIONS	
NAME	DATE

Ciorba Group, Inc.
CONSULTING ENGINEERS
5507 North Cumberland Avenue, Suite 402 Chicago, Illinois 60658
Tel. 773.775.4009 Fax 773.775.4014 Email chicago@ciorba.com

VILLAGE OF LIBERTYVILLE
FOURTH AVENUE IMPROVEMENTS

TYPICAL SECTIONS
FOURTH AVENUE

SCALE: N.T.S.
DATE: JANUARY, 2005
DRAWN BY: JCC
CHECKED BY: MRJ