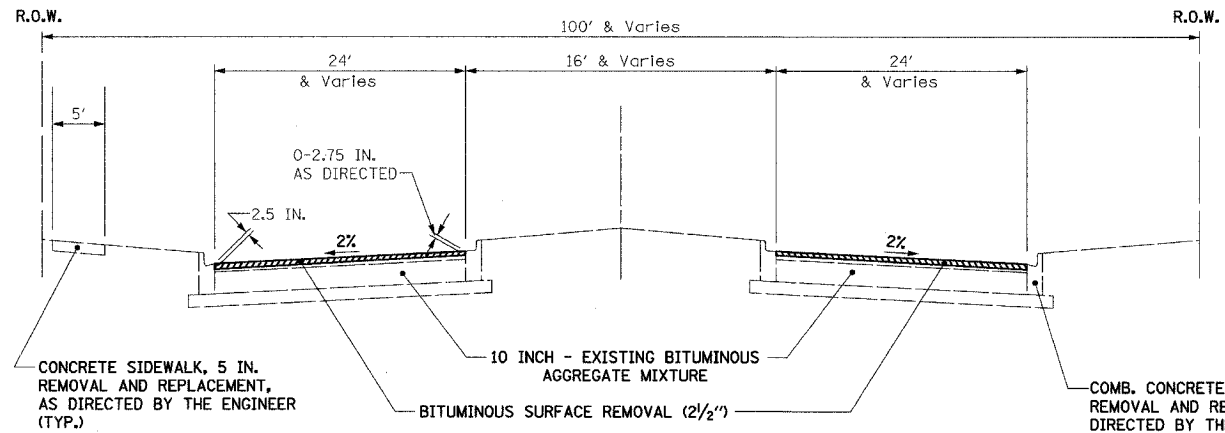
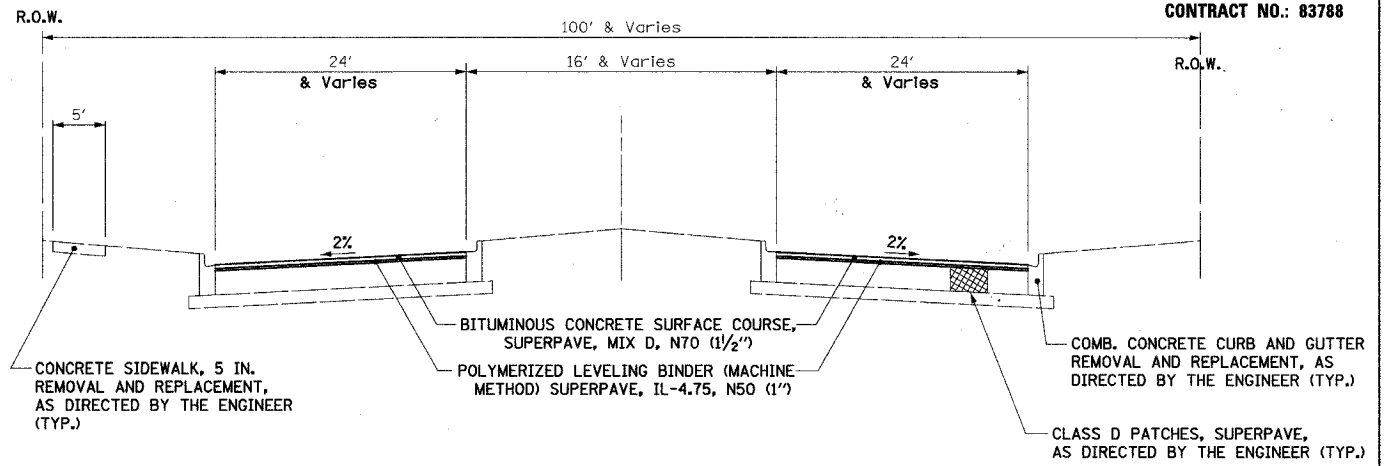


CONTRACT NO.: 83788

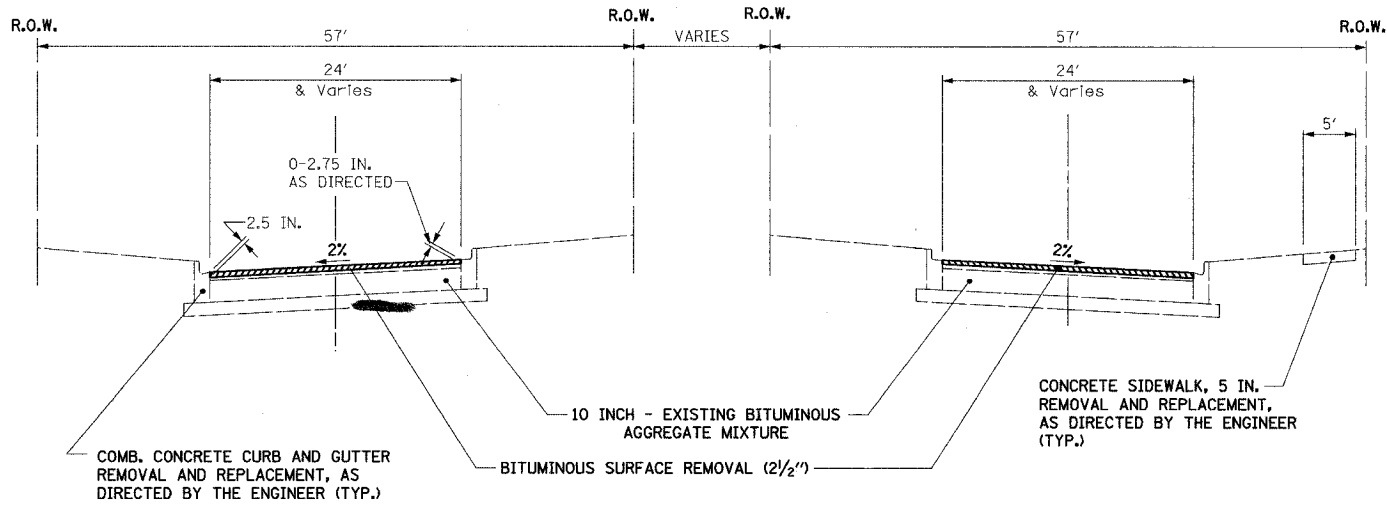


EXISTING TYPICAL SECTION  
INTERNATIONALE PARKWAY  
STA. 0+32 TO STA. 40+38

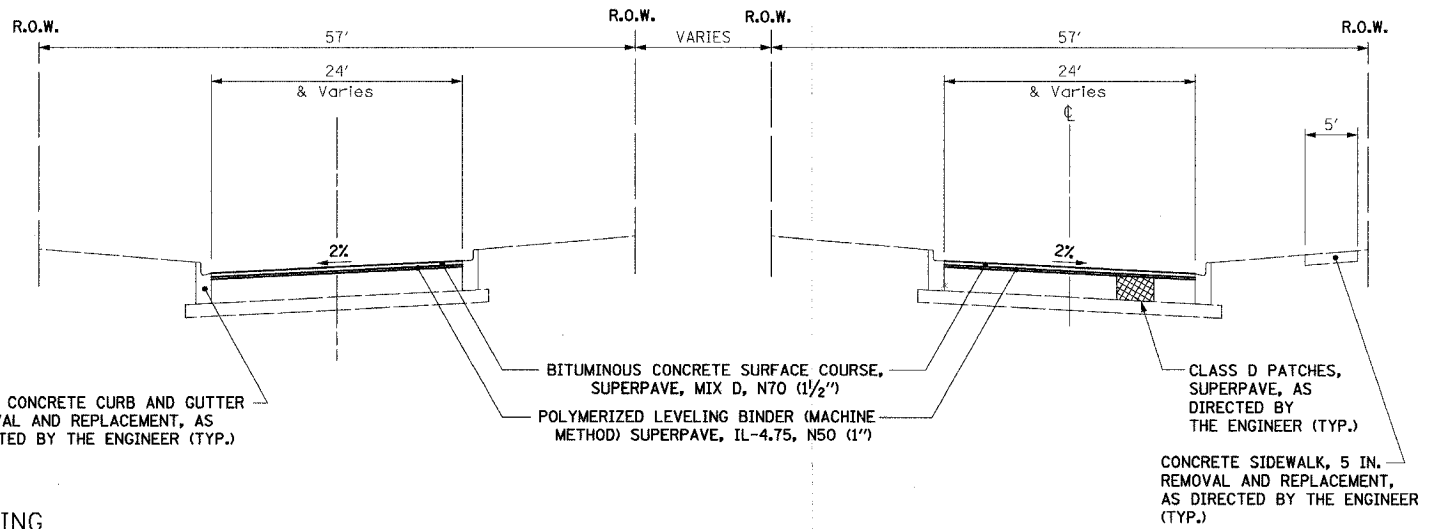


PROPOSED TYPICAL SECTION  
INTERNATIONALE PARKWAY  
STA. 0+32 TO STA. 40+38

RESURFACING  
MAINLINE PAVEMENT  
EAST OF JOLIET ROAD TO WEST OF BEAUDIN BLVD.



EXISTING TYPICAL SECTION  
INTERNATIONALE PARKWAY  
STA. 96+29 TO STA. 129+74



PROPOSED TYPICAL SECTION  
INTERNATIONALE PARKWAY  
STA. 96+29 TO STA. 129+74

RESURFACING  
MAINLINE PAVEMENT  
EAST OF WOODWARD AVE TO WEST OF LEMONT ROAD

BITUMINOUS MIXTURE REQUIREMENTS

ITEM	AC TYPE	VOIDS	MAX. RAP %
BITUMINOUS CONCRETE SURFACE COURSE, SUPERPAVE, MIX D, N70	PG 64-22	4% @ 70 Gyr.	10
POLYMERIZED LEVELING BINDER (MACHINE METHOD) SUPERPAVE, IL-4.75, N50	PG 64-22	4% @ 50 Gyr.	10
CLASS D PATCHES, SUPERPAVE (IL-19, N50)	PG 64-22	4% @ 50 Gyr.	15
BITUMINOUS REPLACEMENT OVER PATCHES, SUPERPAVE	PG 64-22	4% @ 70 Gyr.	15

REVISIONS	
NAME	DATE

ILLINOIS DEPARTMENT OF TRANSPORTATION  
VILLAGE OF WOODRIDGE  
INTERNATIONALE PARKWAY  
REHABILITATION AND RESURFACING  
TYPICAL SECTIONS

SCALE: NONE  
DATE: 20-DEC-2004

DRAWN BY: V.A.P.  
CHECKED BY: J.R.P.