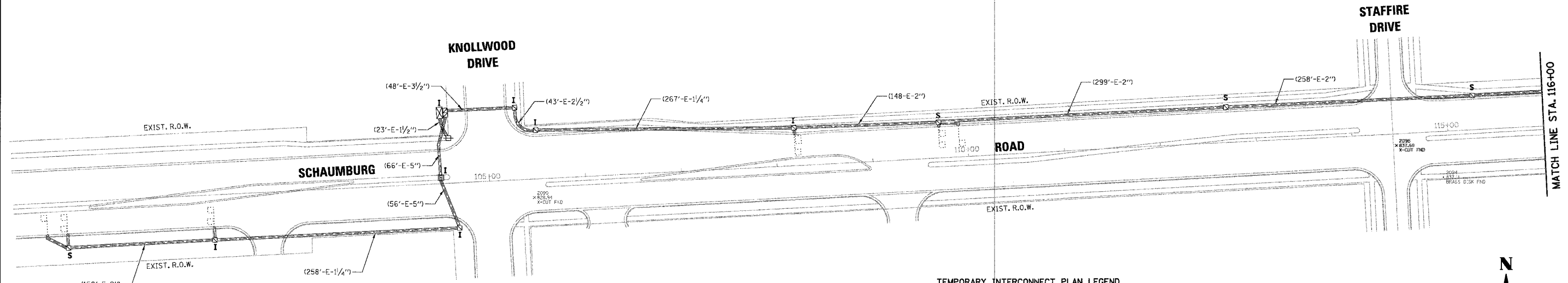


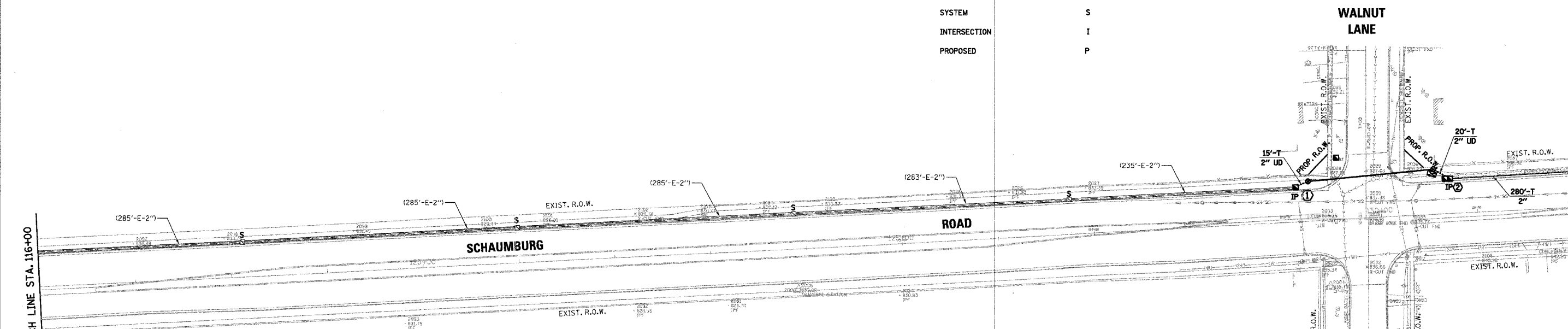
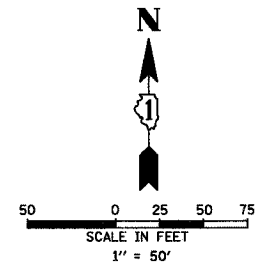
F.A. RTE.	SECTION	COUNTY	TOTAL SHEETS	SHEET NO.
DO-00070-00-FF	COOK	98	41	
STA.	TO STA.			
FED. ROAD DIST. NO.	ILLINOIS FED. AID PROJECT			

CONTRACT No. 83799



TEMPORARY INTERCONNECT PLAN LEGEND

CONTROLLER	
SERVICE INSTALLATION	
EXISTING HANDHOLE	
EXISTING CONDUIT	
AERIAL INTERCONNECT CABLE - 3 PAIR #18	
WOOD POLE CLASS 4 30 FT. MINIMUM	
SYSTEM	S
INTERSECTION	I
PROPOSED	P



CONSTRUCTION NOTES:

- ① INTERCEPT EXISTING 2" CONDUIT WITH NEW HANDHOLE, SPLICE TEMPORARY INTERCONNECT CABLE TO EXISTING INTERCONNECT CABLE IN HANDHOLE. THE TEMPORARY INTERCONNECT CABLE TO BE INSTALLED TO THE TEMPORARY CONTROLLER ON SPAN WIRE. COST OF THE NEW HANDHOLE WILL BE PAID FOR SEPARATELY FROM THE COST OF THE TEMPORARY TRAFFIC SIGNAL INSTALLATION. PROVIDE 5' CAPPED 2", 2 1/2" AND 4" GALVANIZED STEEL CONDUIT STUB OUTS FOR PROPOSED CONDUIT RUNS.
- ② PULL BACK EXISTING INTERCONNECT CABLE TO FAR BACK EXISTING DETECTOR HANDHOLE. INSTALL NEW DOUBLE HANDHOLE AND 2" GALVANIZED STEEL CONDUIT TO FAR BACK EXISTING DETECTOR HANDHOLE AND REINSTALL EXISTING INTERCONNECT CABLE TO NEW DOUBLE HANDHOLE. SPLICE TEMPORARY INTERCONNECT CABLE TO EXISTING INTERCONNECT CABLE IN NEW DOUBLE HANDHOLE. RUN THE TEMPORARY INTERCONNECT TO THE CONTROLLER IN 2" UNIT DUCT. COST OF NEW DOUBLE HANDHOLE AND 2" GALVANIZED CONDUIT WILL BE PAID FOR SEPARATELY FROM THE COST OF THE TEMPORARY TRAFFIC SIGNAL INSTALLATION. PROVIDE 5' CAPPED 2 1/2" AND 4" GALVANIZED STEEL STUB OUTS FOR PROPOSED CONDUIT RUNS.

REVISIONS	
NAME	DATE

CHRISTOPHER B. BURKE ENGINEERING LTD.
 9575 West Higgins Road, Suite 600
 Rosemont, Illinois 60018
 (847) 823-0500

ILLINOIS DEPARTMENT OF TRANSPORTATION
TEMPORARY INTERCONNECT PLAN
SHEET 1
 SCHAUMBURG ROAD
 FROM KNOLLWOOD DRIVE TO SPRINGSGUTH ROAD
 SCALE: 1" = 50'
 DATE: 5-05-03
 DRAWN BY: FCP
 DESIGNED BY: SJP
 CHECKED BY: GMZ