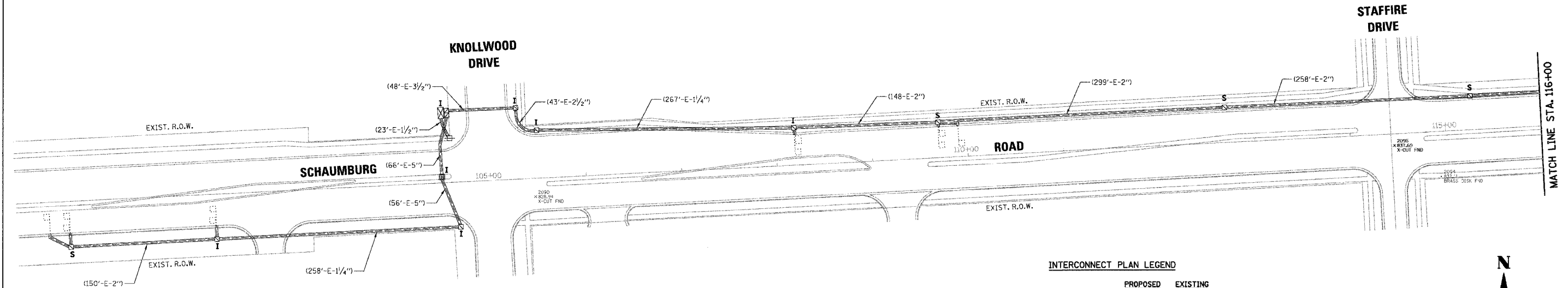


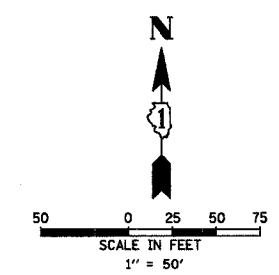
F.A. RTE.	SECTION	COUNTY	TOTAL SHEETS	SHEET NO.
00-00070-00-PP		COOK	98	45
STA.	TO STA.			
FED. ROAD DIST. NO.	ILLINOIS	FED. AID PROJECT		

CONTRACT No. 83799



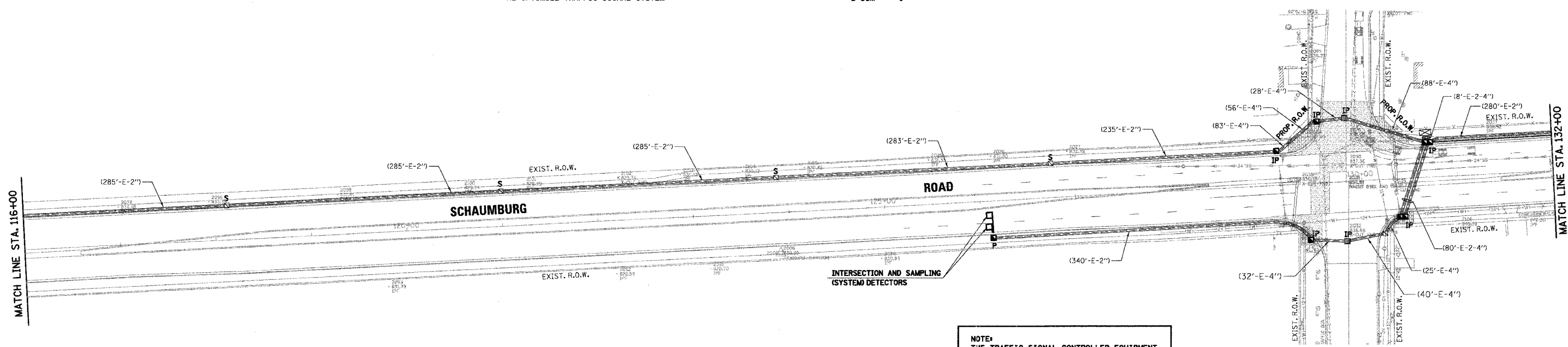
INTERCONNECT PLAN LEGEND

	PROPOSED	EXISTING
CONTROLLER		
HANDHOLE		
DOUBLE HANDHOLE		
HEAVY-DUTY HANDHOLE		
G.S. CONDUIT IN TRENCH (T) OR PUSHED (P)		
DETECTOR LOOP		
SYSTEM	SP	S
INTERSECTION	IP	I
UNIT DUCT	UD	
COMMON TRENCH	CT	



SCHEDULE OF QUANTITIES

ITEM	UNIT	TOTAL
MAINTENANCE OF EXISTING TRAFFIC SIGNAL INSTALLATION	EACH	2
ELECTRIC CABLE IN CONDUIT, TRACER NO. 14 1C	FOOT	5598
FIBER OPTIC CABLE IN CONDUIT, NO. 62.5/125 MM12F & SM12F	FOOT	5664
REMOVE ELECTRIC CABLE FROM CONDUIT	FOOT	10828
RE-OPTIMIZE TRAFFIC SIGNAL SYSTEM	L SUM	1



NOTE:
THE TRAFFIC SIGNAL CONTROLLER EQUIPMENT FOR THIS PROJECT SHALL BE "ECONOLITE" TO MATCH THE EXISTING ADJACENT SYSTEM.

REVISIONS	NAME	DATE

ILLINOIS DEPARTMENT OF TRANSPORTATION
INTERCONNECT PLAN SHEET 1
SCHAUMBURG ROAD
FROM KNOLLWOOD DRIVE TO SPRINGSGUTH ROAD
SCALE: 1" = 50'
DATE: 5-05-03
DRAWN BY: FCP
DESIGNED BY: SJP
CHECKED BY: GMZ

CHRISTOPHER B. BURKE ENGINEERING LTD.
9575 West Higgins Road, Suite 600
Rosemont, Illinois 60018
(847) 823-0500