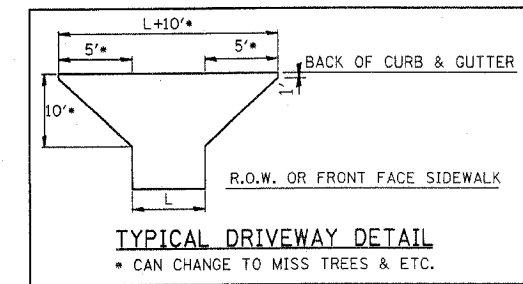
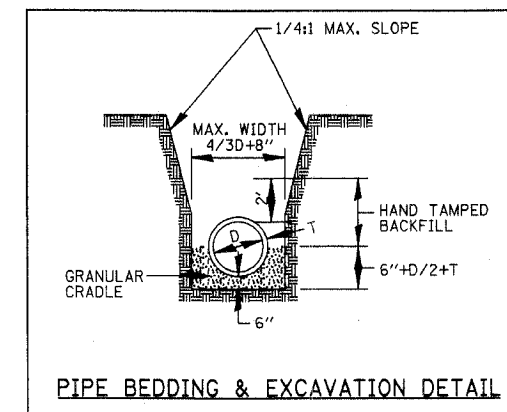
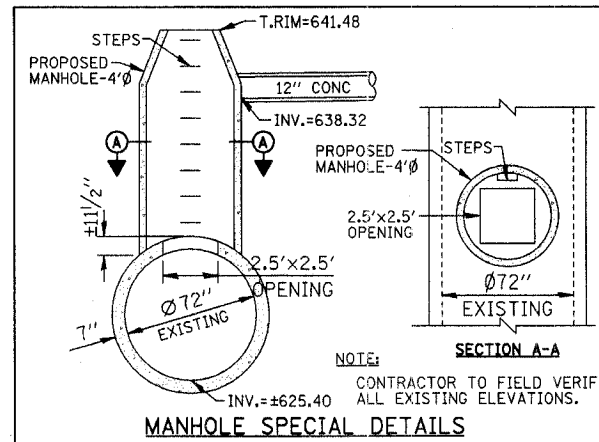


F.A.U. RTE.	SECTION	COUNTY	TOTAL SHEETS	SHEET NO.
6325	02-00090-00-BR	LIVINGSTON	31	3
STA.		TO STA.		
FED. ROAD DIST. NO. 7		ILLINOIS FED. AID PROJECT		
CONTRACT NO. 87238				

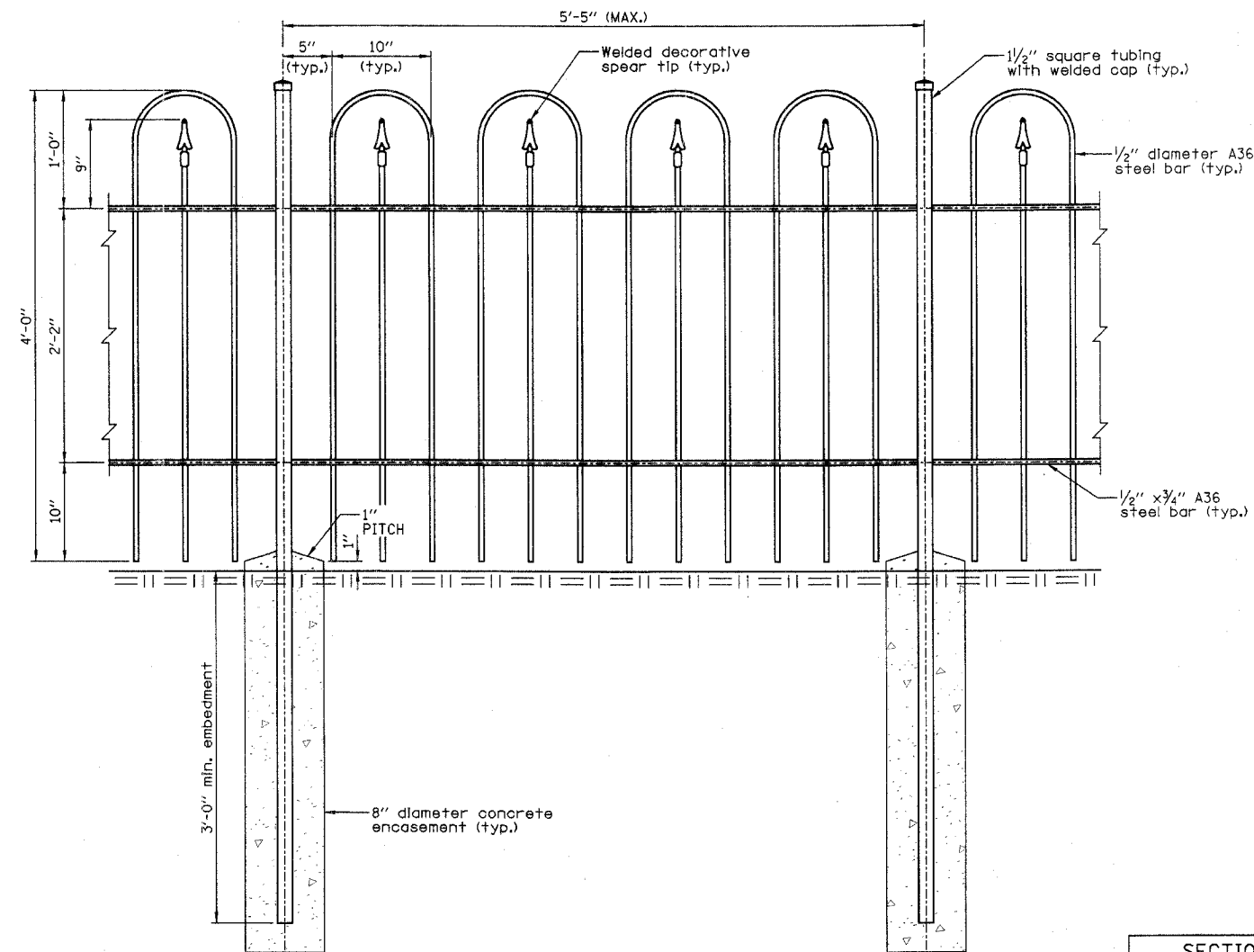
GENERAL NOTES

- ALL ELEVATIONS REFER TO U.S.G.S. MEAN SEA LEVEL DATUM.
- SEEDING WILL NOT BE PERMITTED AT ANY TIME WHEN THE GROUND IS FROZEN, WET, OR IN AN UNTILLABLE CONDITION. LOCATIONS TO BE SEEDED SHALL BE DETERMINED BY THE ENGINEER.
- TREES SHALL BE SAVED UNLESS PERMISSION RECEIVED FROM THE RESIDENT ENGINEER. THE CONTRACTOR SHALL MEET WITH THE CITY AND RESIDENT ENGINEER PRIOR TO ANY TREE TRIMMING OR REMOVAL OPERATIONS.
- BEFORE ORDERING STORM SEWERS, THE CONTRACTOR SHALL CONSULT THE ENGINEER FOR EXACT LENGTHS.
- THE CONTRACTOR SHALL BE RESPONSIBLE FOR PROTECTING UTILITY PROPERTY FROM CONSTRUCTION OPERATIONS AS OUTLINED IN ARTICLE 107.31 OF THE STANDARD SPECIFICATIONS. THE J.U.L.I.E. NUMBER IS 1-800-892-0123. A MINIMUM OF FORTY-EIGHT HOURS ADVANCE NOTICE IS REQUIRED.
- THE CONTRACTOR SHALL VERIFY THE LOCATION AND ELEVATION OF ALL UTILITIES PRIOR TO ANY STORM SEWER INSTALLATION, STRUCTURE WORK, OR ROADWAY CONSTRUCTION ACTIVITIES.
- THE STANDARD SPECIFICATIONS FOR WATER AND SEWER MAIN CONSTRUCTION IN ILLINOIS 5TH ADDITION SHALL APPLY FOR WORK IN THIS PROJECT. ALSO, THE STANDARD SPECIFICATIONS FOR ROAD AND BRIDGE CONSTRUCTION, ADOPTED JANUARY 1, 2002, WILL ALSO APPLY IN THIS PROJECT.
- ABANDONED UNDERGROUND UTILITIES THAT CONFLICT WITH CONSTRUCTION SHALL BE DISPOSED OF OUTSIDE THE LIMITS OF THE RIGHT OF WAY ACCORDING TO ARTICLE 202.03 AND AS DIRECTED BY THE ENGINEER. THIS WORK WILL NOT BE PAID FOR SEPARATELY BUT SHALL BE INCLUDED IN THE COST OF EARTH EXCAVATION.
- PROVIDE SIDEWALK RAMPS FOR THE HANDICAPPED WHERE THERE IS BOTH SIDEWALK AND PROPOSED CURB. SEE STATE STANDARD 424001.
- SEE SHEET NO. 4 FOR TRANSIT LINE TIES.
- DEPRESSED CURB AND GUTTER SHALL BE PROVIDED AT ALL DRIVEWAYS AND SIDEWALK RAMPS FOR THE DISABLED. SEE STATE STANDARD NO. 424001-02.
- ANY ITEMS TO BE REMOVED WHICH ARE ATTACHED TO THE EXISTING STRUCTURE, I.E. GUARD RAIL, ETC., SHALL BE INCLUDED WITH THE UNIT PRICE BID FOR "REMOVAL OF EXISTING STRUCTURE".



LEGEND

PROPOSED	EXISTING
COMB. CONCRETE CURB & GUTTER TYPE B6.18	16" WATER MAIN
CURB INLET	36" SANITARY SEWER INLET
END SECTION MANHOLE	18" SS STORM SEWER INLET
STORM SEWER	UNDERGROUND TELEPHONE
SA-CSA SANITARY SEWER	GAS MAIN
RIGHT OF WAY	GAS VALVE
BITUMINOUS SURFACE REMOVAL 1/2"	WATER SERVICE SHUTOFF SIGN
BITUMINOUS WIDENING 2' - 9" THICK	POLE DOWN GUY
AGGREGATE DRIVEWAY, 6"	TELEPHONE POLE
BITUMINOUS DRIVEWAY	FENCE
CONCRETE DRIVEWAY, 6"	DITCH LINE
P.C. CONCRETE SIDEWALK, 4"	IR IRON ROD
MAIL BOX TO BE RELOCATED	IP IRON PIPE
STONE RIPRAP	B BUSH
TREE TO BE REMOVED	ET EVERGREEN TREE
WATER VALVE TO BE ADJUSTED	T W/DIA. TREE W/DIA.
MANHOLE TO BE RECONSTRUCTED	S SAPLING
MANHOLE TO BE ADJUSTED	R.R. RAILROAD SPIKE
14 CY TRF AMOUNT OF TRENCH BACKFILL	W VALVE WATER VALVE
	F HYDRANT FIRE HYDRANT
	M MANHOLE
	P RIGHT OF WAY
	P MAIL BOX



- NOTES:**
- ALL STEEL SHALL BE SHOP PAINTED WITH THE INORGANIC ZINC RICH PRIMER PER AASHTO M300, TYPE 1 IN ACCORDANCE WITH ARTICLE 1008.22.
 - 2 COAT WATERBOURNE ACRYLIC SYSTEM SHALL BE USED IN ACCORDANCE WITH ARTICLE 1008.24, FINAL COLOR TO BE SELECTED BY THE VILLAGE OF DWIGHT.

SECTION 02-00090-00-BR
LIVINGSTON COUNTY
PONTIAC, ILLINOIS

GENERAL NOTES & MISCELLANEOUS DETAILS

DRAWN BY DMM	 2700 Midway Drive Bloomington, Illinois 61704 309/882-8438 309/883-9771 fax	FILE NO. 24-6884
DATE 01/14/05		BOOK NO. 2233
CHECKED BY MSW		SHEET NO. 3 OF 31