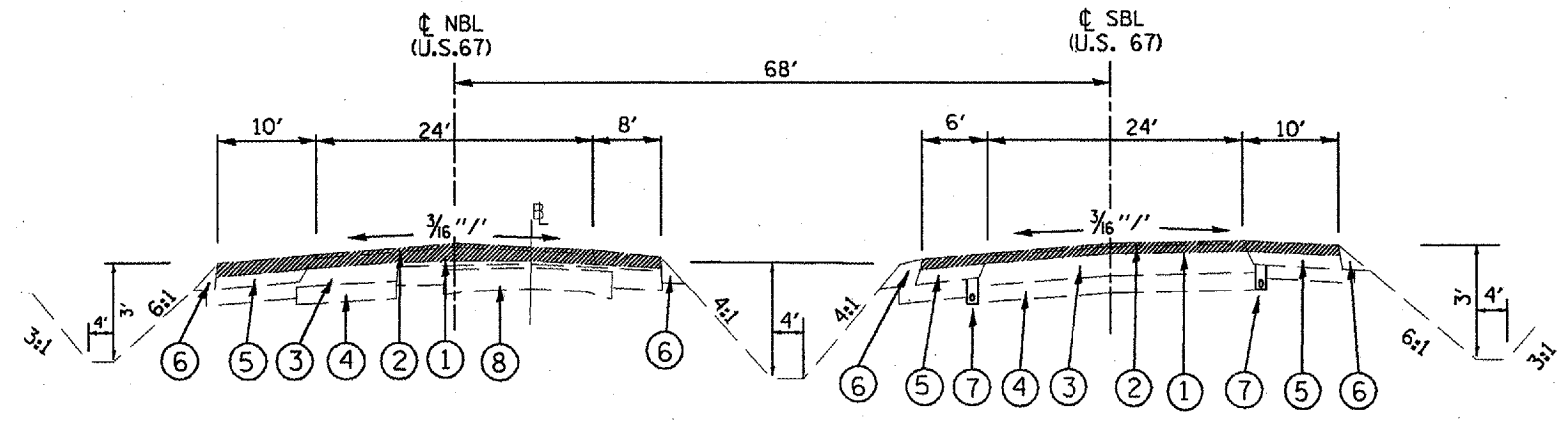
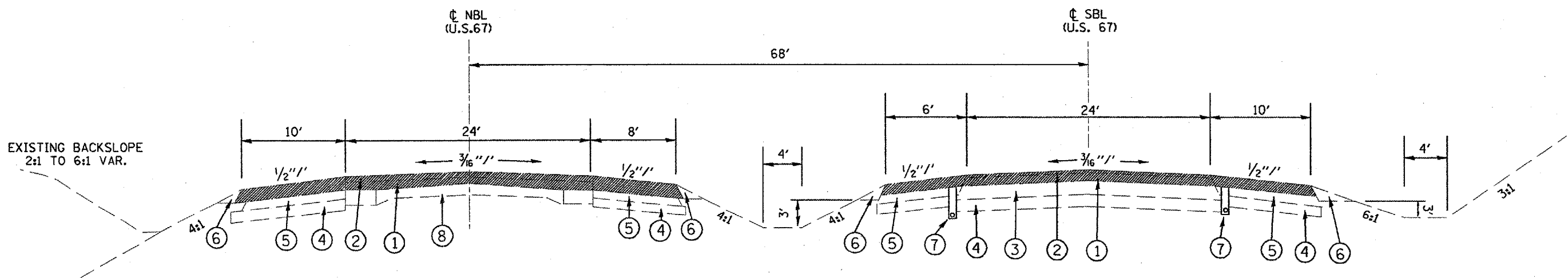


CONTRACT 88757				
F.A.P. RTE.	SECTION	COUNTY	TOTAL SHEETS	SHEET NO.
310	138-11RS	MCDONOUGH	83	10
STA.		TO STA.		
FED. ROAD DIST. NO.		ILLINOIS FED. AID PROJECT		

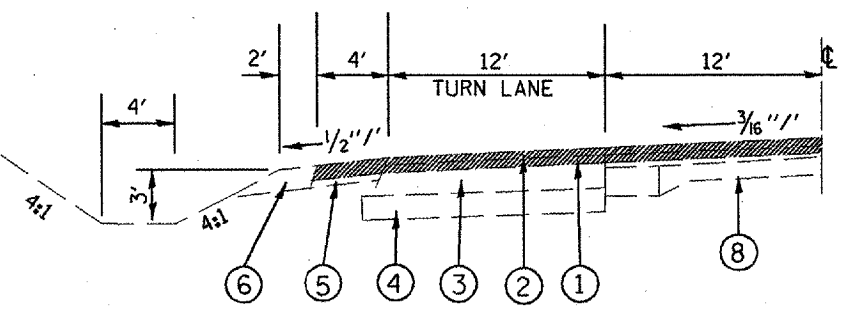


STA. 117+48 TO STA. 123+00

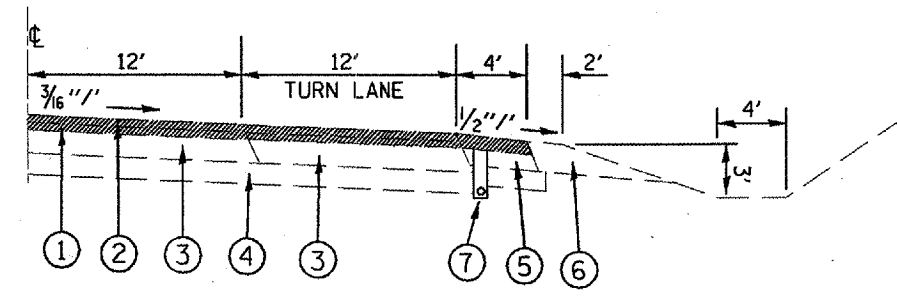
- ① 3" CL. I BINDER CSE. (2 - 1/2" LIFTS)
 - ② 1/2" BIT. CONC. SURF. CSE, MIX E, CL. I
 - ③ BIT. BASE CSE 10"
 - ④ LIME MODIFIED SUBBASE 8"
 - ⑤ BITUMINOUS SHOULDER 8"
 - ⑥ AGG. SHOULDER, TYPE B
 - ⑦ PIPE UNDERDRAIN 4"
 - ⑧ 9-6-9 PCC PAVEMENT
- COLD MILL 4 1/2"



STA. 123+00 TO STA. 267+00



LEFT TURN LANES
SEE PLANS FOR STATIONS



RIGHT TURN LANES
SEE PLANS FOR STATIONS

REVISIONS	
NAME	DATE

ILLINOIS DEPARTMENT OF TRANSPORTATION
EXISTING TYPICAL SECTIONS U.S. ROUTE 67
 SCALE: VERT. NOT TO SCALE HORIZ. DRAWN BY CADD
 DATE #DATE# CHECKED BY