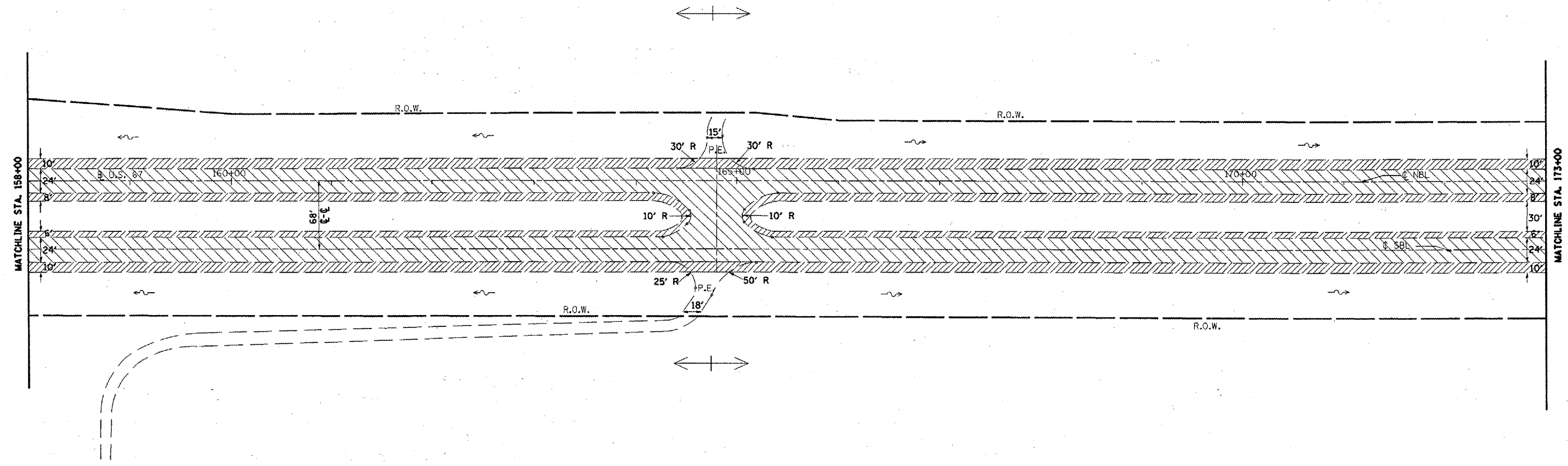


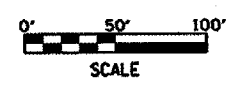
F.A.P. RTE.	SECTION	COUNTY	TOTAL SHEETS	SHEET NO.
310	(38-D) RS	MCDONOUGH	83	31
STA. 158+00		TO STA. 173+00		
FED. ROAD DIST. NO.		ILLINOIS FED. AID PROJECT		

T6N R2W 4th P.M. (MACOMB TWP.)
SECTION 6



T6N R3W 4th P.M. (EMMET TWP.)
SECTION 1

- | EXISTING LEGEND | | REMOVAL LEGEND | |
|-----------------|------------------------|----------------|---------------------|
| | CONCRETE REVETMENT MAT | | GUARDRAIL REMOVAL |
| | R.O.W. MARKER | | CULVERT REMOVAL |
| | SUMMIT | | BUTT JOINT |
| | EXIST. DITCH CHECK | | SHOULDER MILLING |
| | PAVED DITCH | | MEDIAN MILLING |
| | EXIST. GUARDRAIL | | PAVEMENT MILLING |
| | | | END SECTION REMOVAL |
| | | | PAVED DITCH REMOVAL |



REVISIONS		ILLINOIS DEPARTMENT OF TRANSPORTATION	
NAME	DATE		
		EXISTING & REMOVAL	
		PLAN SHEET	
		STA. 158+00 TO 173+00	
SCALE: VERT.	1" = 50'	DRAWN BY	CADD
HORIZ.		CHECKED BY	
DATE	##DATE##		