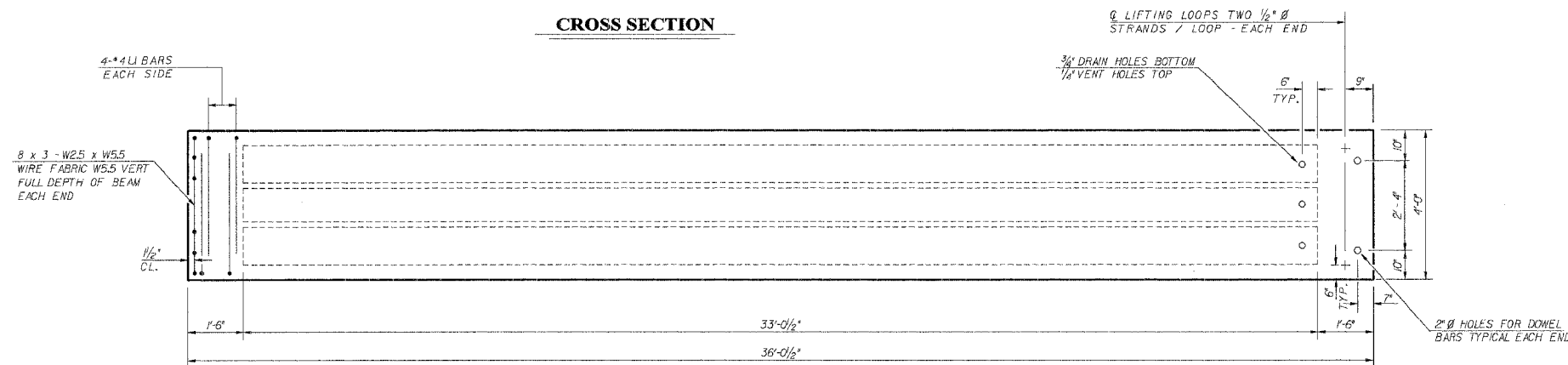
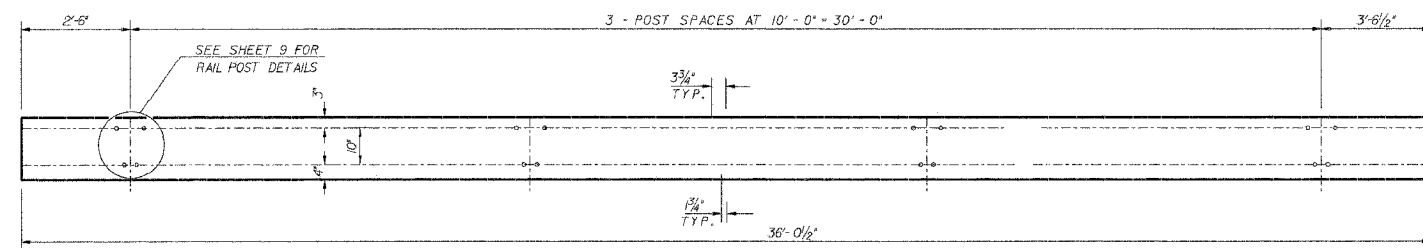


**CROSS SECTION**



**TYPICAL PLAN OF BEAMS**



**ELEVATION OF OUTSIDE BEAMS**

PRESTRESSING STEEL SHALL BE NON-GALVANIZED HIGH STRENGTH, STRESS-RELIEVED 7-WIRE STRAND, GRADE 270.

THE NOMINAL DIAMETER SHALL BE 1/2" AND THE NOMINAL CROSS-SECTIONAL AREA SHALL BE 0.153 SQ. IN.

LIFTING LOOPS SHALL BE 1/2" DIAMETER, 6x25 CLASS WIRE ROPE WITH FIBER CORE AND SHALL HAVE A MINIMUM ULTIMATE TENSILE STRENGTH OF 21,000 LBS. OR 2-1/2"Ø-270 KSI STRANDS, AS SHOWN.

KEYWAY SURFACES SHALL BE CLEANED TO REMOVE FORM OIL OR OTHER BOND BREAKING MATERIAL PRIOR TO SHIPMENT OF THE BEAMS, CLEANING SHALL BE DONE BY SANDBLASTING THE KEYWAY AREAS BETWEEN TOP OF THE BEAM AND THE BOTTOM EDGE OF THE KEY.

REINFORCEMENT BARS SHALL CONFORM TO AASHTO: M-31, M-42 OR M-53, GRADE 60.

THE BEARING SEAT SURFACES SHALL BE ADJUSTED BY SHIMMING TO ASSURE FIRM AND EVEN BEARING. TWO 1/2" FABRIC ADJUSTING SHIMS OF THE DIMENSIONS OF THE EXTERIOR BEARING PAD SHALL BE PROVIDED FOR EACH BEARING.

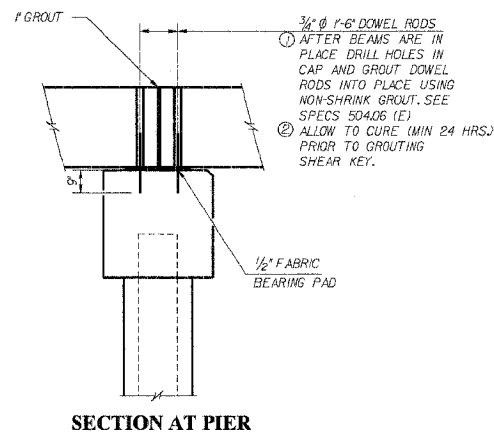
AN EQUAL SUBSTITUTION OF THE LOW-RELAXATION STRANDS FOR THE STRESS-RELIEVED STRANDS WILL BE PERMITTED.

A CALCIUM NITRIDE CORROSION INHIBITOR, AS COVERED IN THE SPECIAL PROVISIONS SHALL BE USED IN THE CONCRETE FOR PRECAST PRESTRESSED CONCRETE DECK BEAMS.

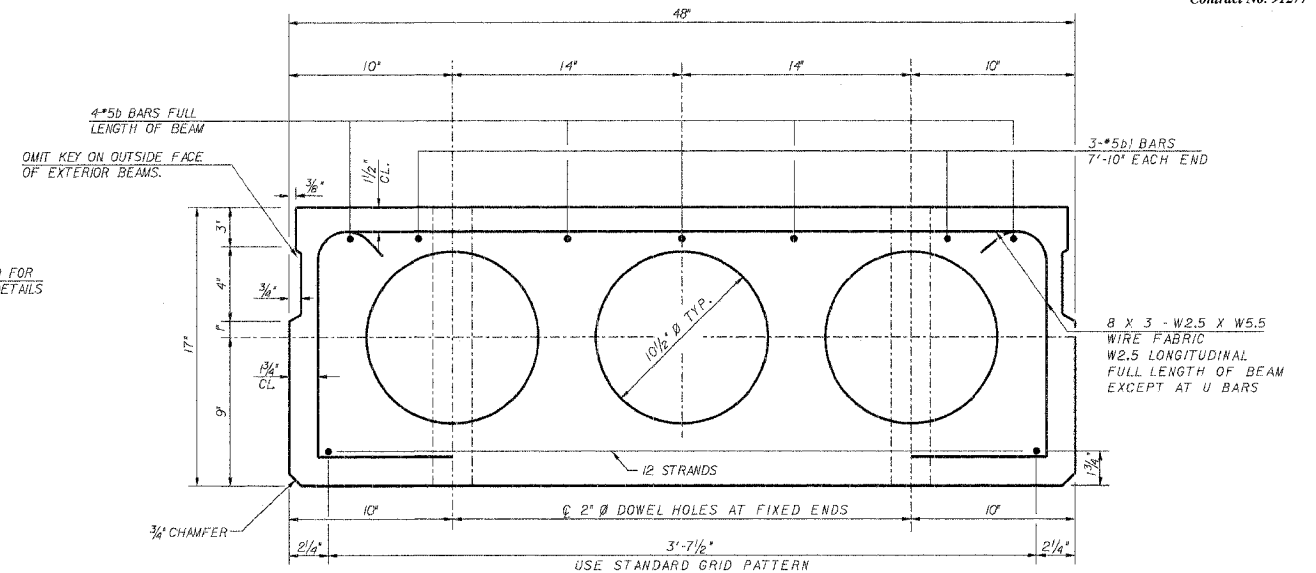
THE INITIAL PRESTRESSING FORCE APPLIED TO EACH STRAND SHALL BE THE SAME AS FOR THE STRESS RELIEVED STRANDS (28,900 LBS.)

RAIL POST ANCHOR DEVICES SHALL BE CAST INTO OUTSIDE BEAM AS ELSEWHERE SPECIFIED

REQUIRED RELEASE STRENGTH, 1% OF, SHALL BE 4,300 PSI

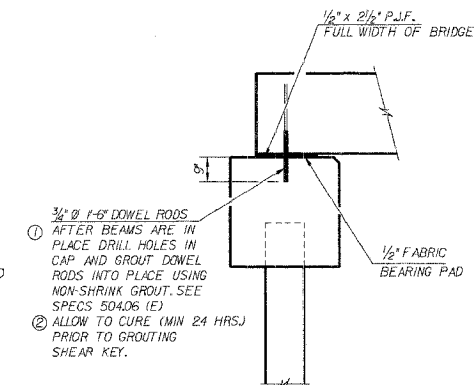


**SECTION AT PIER**

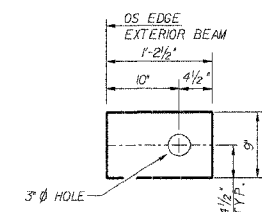


**TYPICAL SECTION**

12-NO 7 WIRE 1/2" Ø STRANDS STRESSED TO 28,900 POUNDS  
12 STRANDS 1 3/4" UP

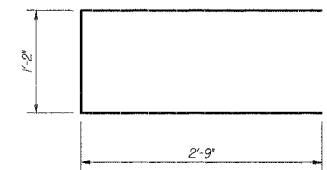


**SECTION AT ABUTMENT**

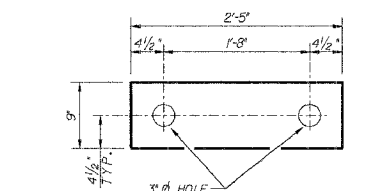


**1/2" FABRIC BEARING PAD**

EXTERIOR (4 REQ'D) PER SPAN



**U BAR**

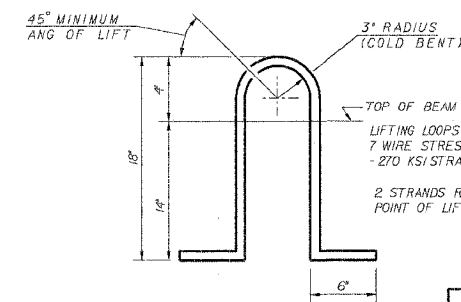


**1/2" FABRIC BEARING PAD**

INTERIOR (12 REQ'D) PER SPAN

**BILL OF MATERIAL**

BOTH SPANS			
ITEM	UNIT	QUANTITY	
PRECAST PRESTRESSED CONCRETE			
DECK BEAMS (17" DEPTH)	SO. FT.	2018	



**LIFTING LOOP DETAIL**

APPROVED ALTERNATE MAY BE SUBSTITUTED FOR ABOVE

**SUPERSTRUCTURE DETAILS END SPANS**

SEC. 98-03121-00-BR  
EAST OAKLAND TOWNSHIP  
COLES COUNTY

**McCLINTOCK**  
CIVIL ENGINEERING SERVICE  
404 SWAN AVENUE, PARSIPpany, NJ 07944  
PHONE (201) 466-6100

DRN. R.T.	DATE 9/23/02	SHEET 5 OF 15
C.K.	SCALE	
APPR.		
		JOB NO. 3137-454-99