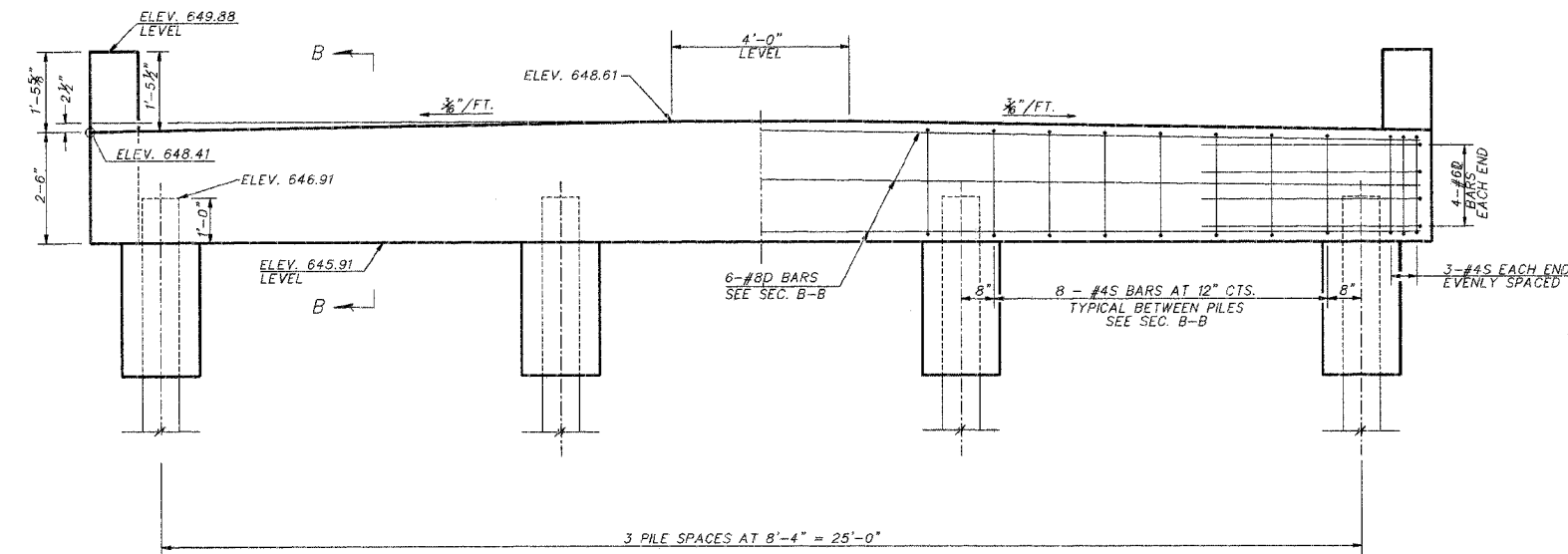
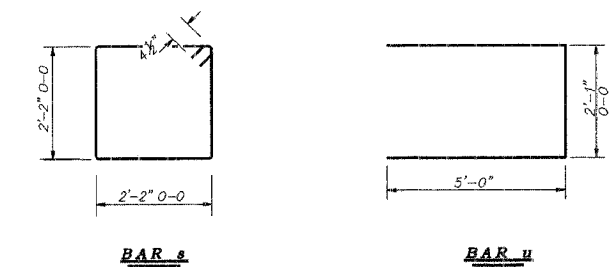


**PLAN**



**ELEVATION**



**BAR s**

**BAR u**

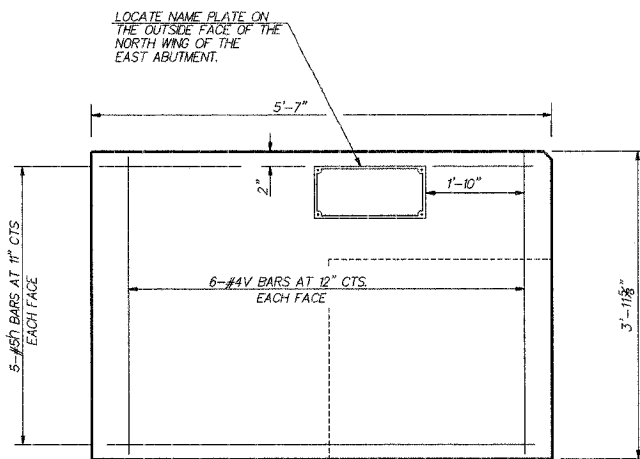
**PILE DATA**

**BOTH ABUTMENTS**

TYPE	HP10 x 57
NO. REQUIRED	8 *
DESIGN CAPACITY	30 TON/PILE**
EST. LENGTH	34 FT. FOR WEST ABUTMENT
EST. LENGTH	44 FT. FOR EAST ABUTMENT

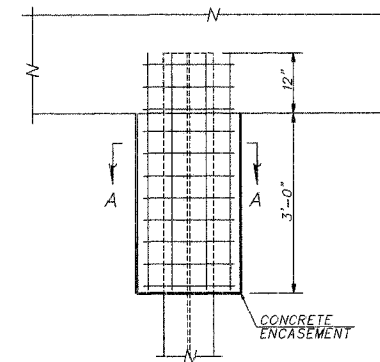
\*INCLUDES ONE TEST PILE TO BE DRIVEN AT A PERMANENT LOCATION IN THE EAST ABUTMENT

\*\*DRIVE TO 45 (TON/PILE)

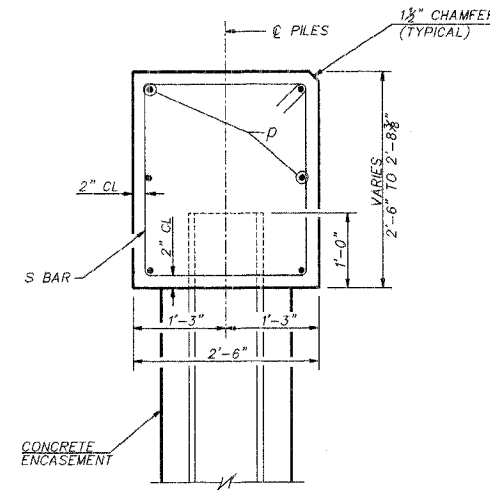


**WINGWALL ELEVATION**

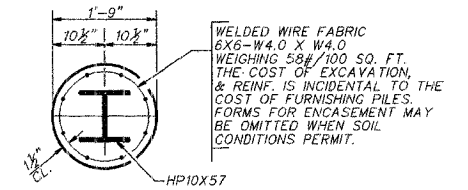
TIE 3-#5h BARS & 2-#4V EACH FACE IN ABUTMENT BARREL FOR WINGWALL TO TIE IN WITH.



**PILE ENCASEMENT DETAIL**



**SECTION B - B**  
SECTION THROUGH ABUTMENT



**SECTION A - A**

**BILL OF MATERIAL**  
TWO ABUTMENTS

BAR	NO.	SIZE	LENGTH	SHAPE
h	40	#5	5'-3"	—
p	12	#8	29'-10"	—
s	60	#4	9'-5"	□
u	16	#6	12'-1"	□
v	48	#4	3'-8"	—
CONCRETE STRUCTURES			CU. YD.	17.0
REINFORCEMENT BARS			POUND	1960
FUR. STEEL PILES HP10x57			FOOT	268
TEST PILE STEEL HP10x57			EACH	1
DRIVING STEEL PILES			FOOT	268
CONCRETE ENCASEMENT			CU. YD.	2.1

NOTES: THE WINGS SHALL BE POURED AFTER THE DECK BEAMS ARE IN PLACE. ALL EXPOSED EDGES SHALL BE CHAMFERED 3/8" UNLESS OTHERWISE NOTED.

ABUTMENT DETAILS SECTION 98-03121-00-BR EAST OAKLAND TOWNSHIP COLES COUNTY		CIVIL ENGINEERING SERVICE 404 SHAW AVE. - PARSIPpany, NJ 07654 PHONE (201) 466-0110
DRN: R.T. CK: APPR:	DATE: 8/13/02 SCALE:	SHEET 7 OF 15 JOB NO. 3137-454-99