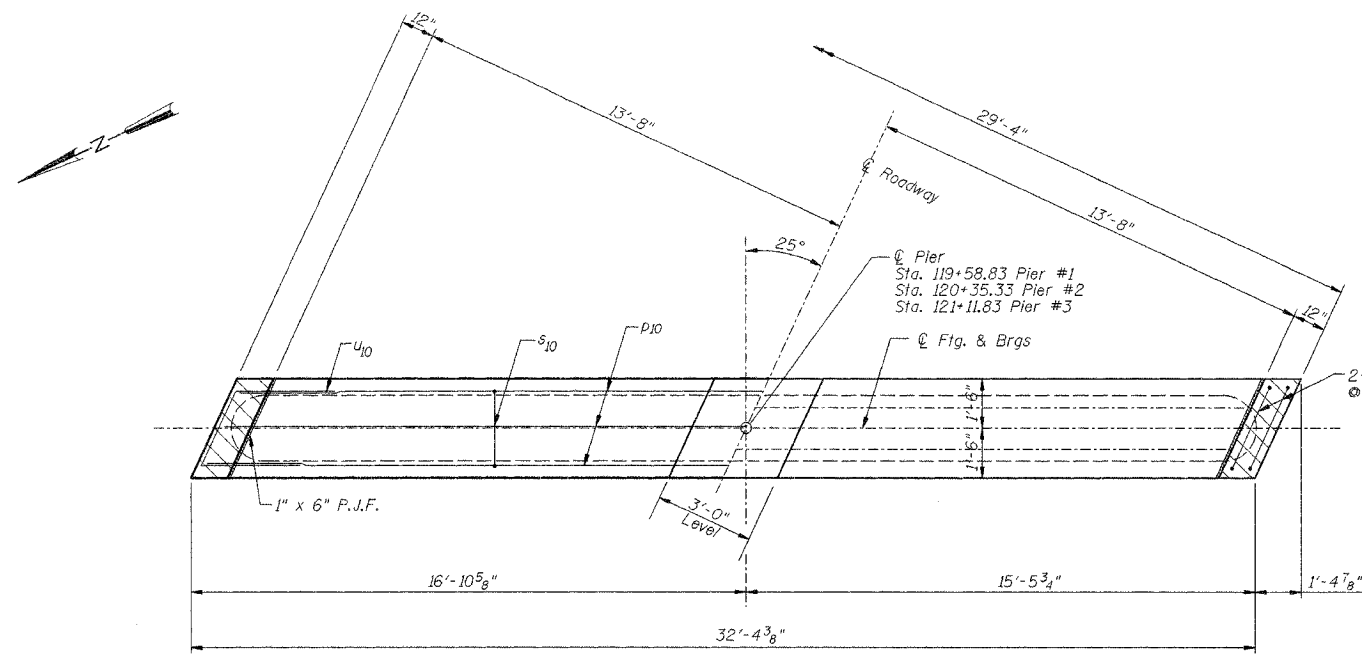
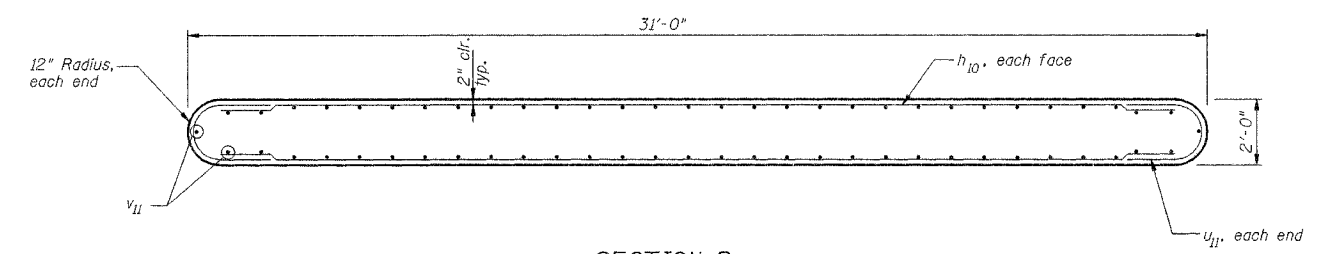
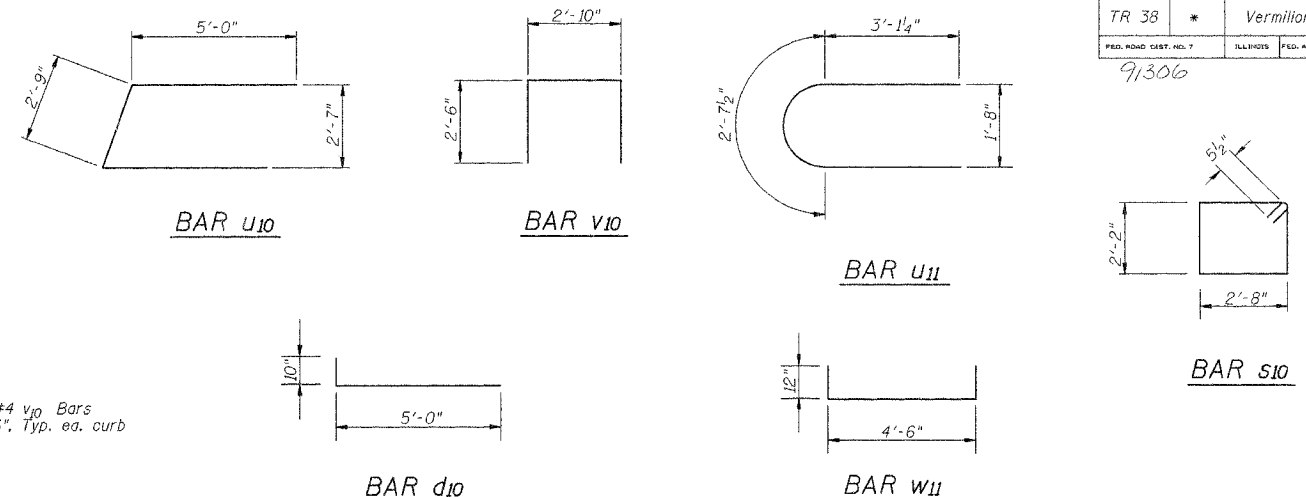


ROUTE NO.	SECTION	COUNTY	TOTAL SHEETS	SHEET NO.
TR 38	*	Vermilion	18	8
FED. ROAD DIST. NO. 7		ILLINOIS FED. AID PROJECT-		

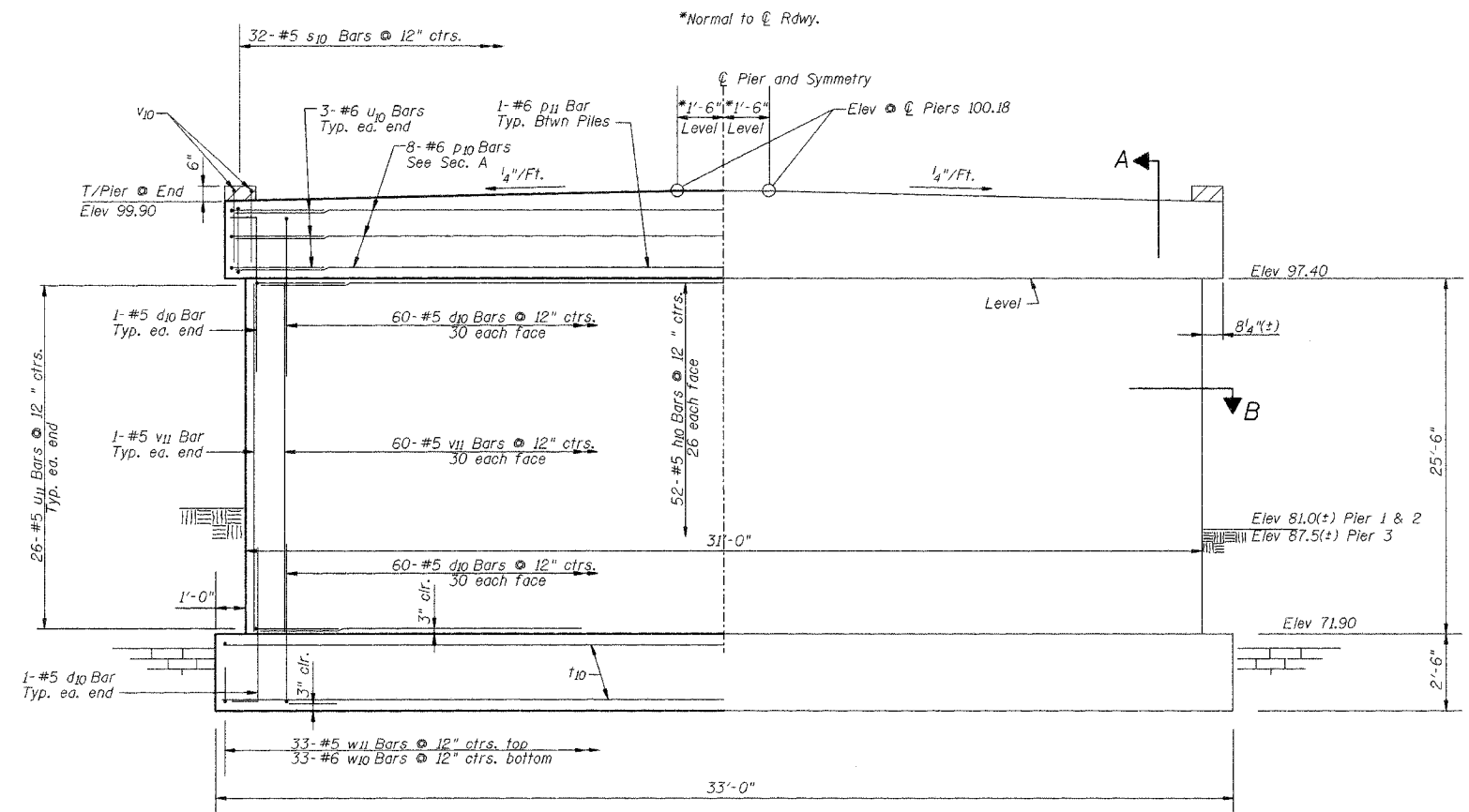
91306 \*00-19134-00-BR



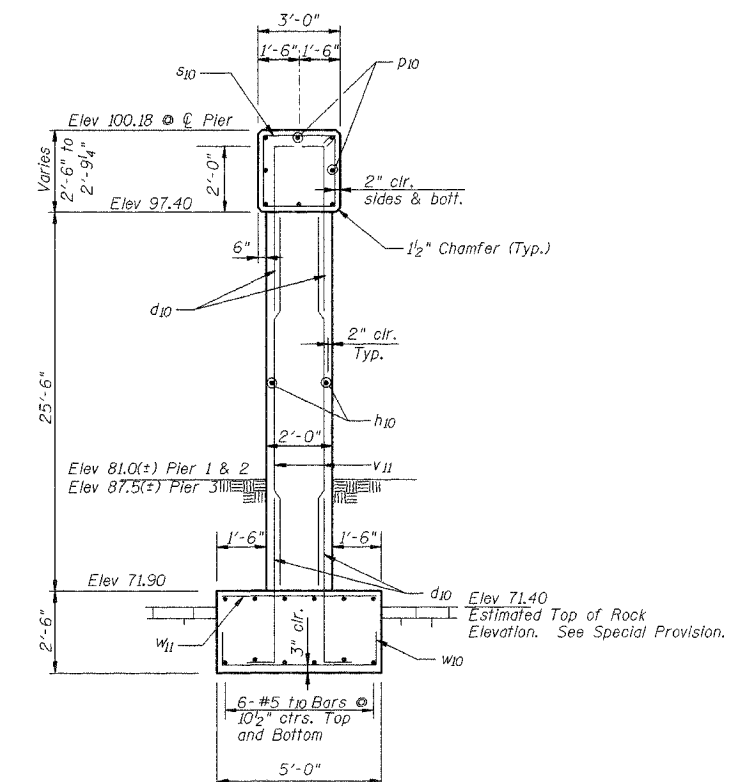
PLAN



SECTION B



ELEVATION



SECTION A

BILL OF MATERIAL-3 PIERS

Bar	No.	Size	Length	Shape
d <sub>10</sub>	372	#5	5'-10"	—
h <sub>10</sub>	156	#5	31'-0"	—
p <sub>10</sub>	24	#6	32'-0"	—
s <sub>10</sub>	96	#5	10'-7"	□
u <sub>10</sub>	18	#6	12'-9"	—
u <sub>11</sub>	156	#4	8'-10"	—
t <sub>10</sub>	36	#5	32'-6"	—
v <sub>10</sub>	12	#4	7'-10"	□
v <sub>11</sub>	186	#5	25'-2"	—
w <sub>10</sub>	99	#6	6'-6"	—
w <sub>11</sub>	99	#5	4'-6"	—

Concrete Structures	Cu. Yds.	247.7
Reinforcement Bars	Lbs.	18,970
Cofferdams	Each	3
Cofferdam Excavation	Cu. Yds.	436
Rock Excavation for Structures	Cu. Yds.	37

DSGN	J.R. Wolf				
DR	J.R. Wolf				
CHK	K.E. Brandau				
APVD	K.E. Brandau	NO.	DATE	REVISION	BY

**FRAUENHÖFFER**  
 Frauenhoffer and Associates, P.C. Consulting Engineers  
 3002 Crossing Court Champaign, Il. 61822 217-351-6268

PIERS	SHEET 8
VANCE ROAD DISTRICT	DWG NO. van-pr.dgn
SECTION 00-19134-00-BR	DATE AUG 2004
VERMILION COUNTY	PROJ NO. 2088