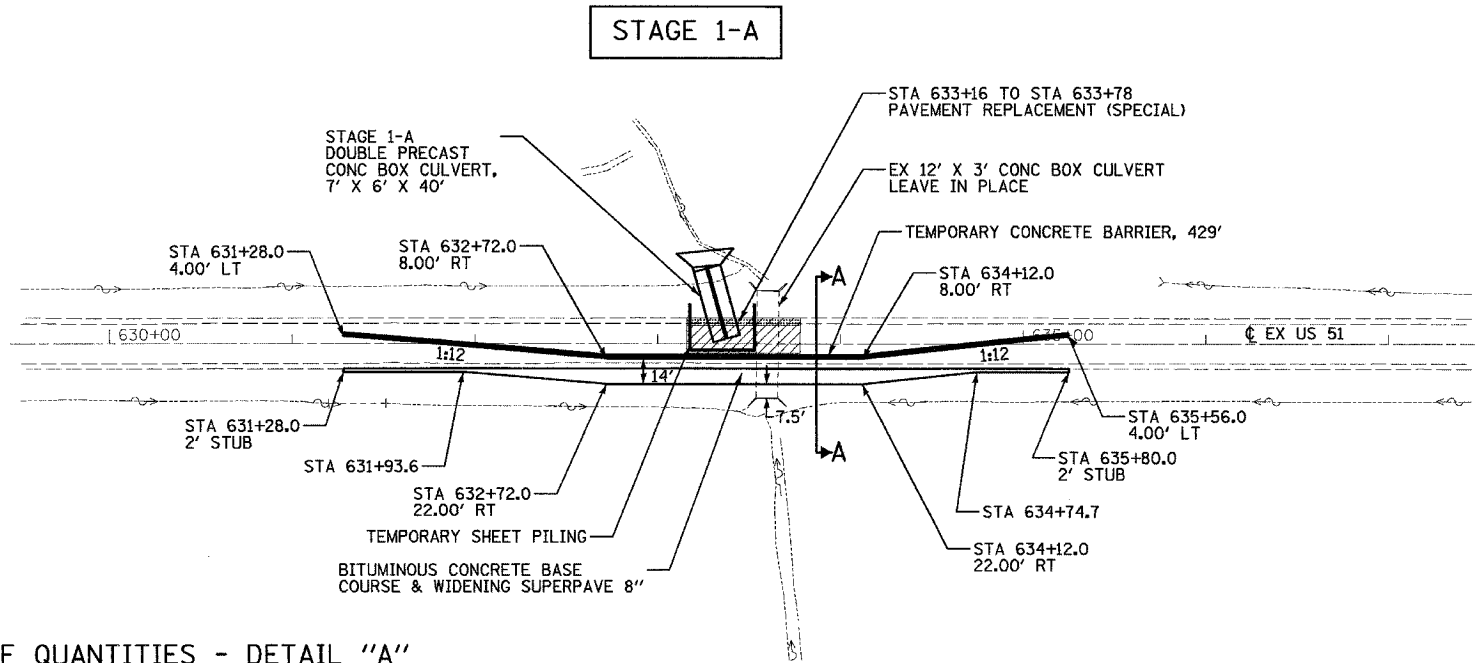
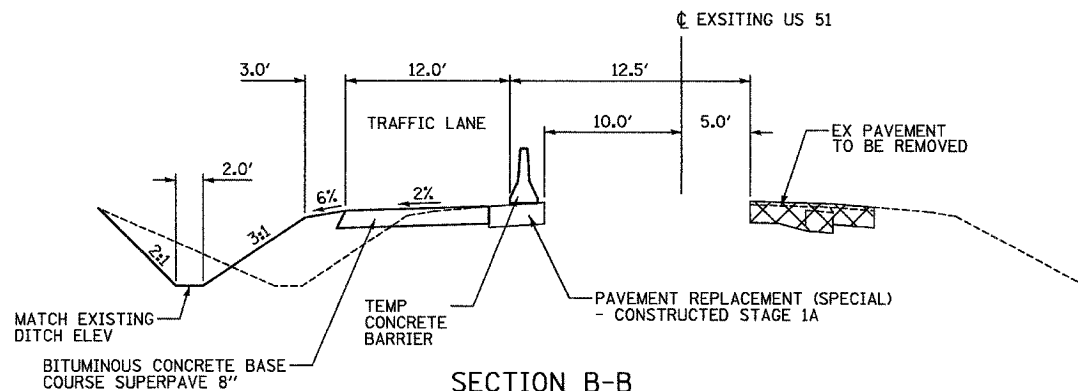
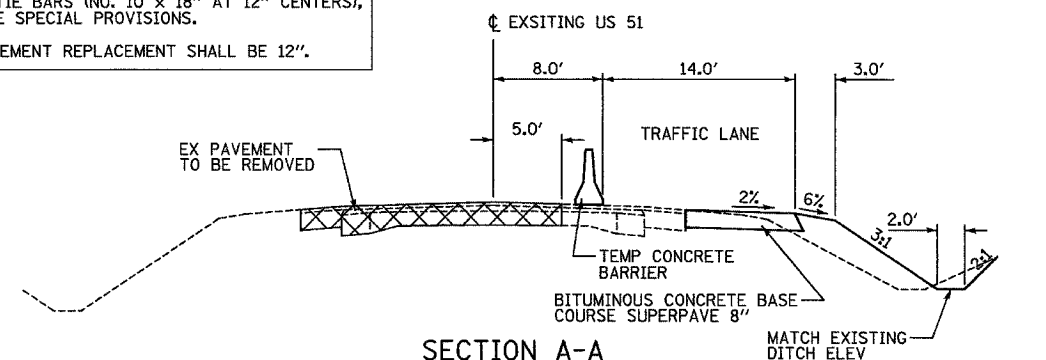


F.A.P. RTE.	SECTION	COUNTY	TOTAL SHEETS	SHEET NO.
322	11-10	CHRISTIAN	310	46
STA.		TO STA.		
FED. ROAD DIST. NO.		ILLINOIS	FED. AID PROJECT	

DETAIL "A"
STAGE CONSTRUCTION OF CULVERT @ STA 767+70.0



THE COST OF THE PAY ITEM "PAVEMENT REPLACEMENT (SPECIAL)" SHALL INCLUDE SAW CUTS, TIE BARS (NO. 10 X 18" AT 12" CENTERS), AND PAVEMENT FABRIC. SEE SPECIAL PROVISIONS.
MINIMUM THICKNESS OF PAVEMENT REPLACEMENT SHALL BE 12".



SCHEDULE OF QUANTITIES - DETAIL "A"

ITEM	UNIT	STAGE 1-A	STAGE 1-B	TOTAL
EARTH EXCAVATION (WIDENING)	CU YD	55	75	130
BITUMINOUS BASE COURSE SUPERPAVE 8"	SQ YD	174.6	252.9	428
BITUMINOUS CONCRETE BASE COURSE WIDENING, SUPERPAVE 8 INCHES	SQ YD	71.8	86.2	158
PAVEMENT REMOVAL	SQ YD	246.4	339.1	586
PAVEMENT REPLACEMENT (SPECIAL)	SQ YD	29.9	157.9	188
TRAFFIC CONTROL AND PROTECTION, STANDARD 701321 (SPECIAL)	EACH	1		1
TEMPORARY CONCRETE BARRIER	FOOT	429.0	108.4	537
RELOCATE TEMPORARY CONCRETE BARRIER	FOOT	-	429.0	429
TEMPORARY BRIDGE TRAFFIC SIGNALS	EACH	1		1
IMPACT ATTENUATORS, TEMPORARY (NON-REDIRECTIVE), TEST LEVEL 3	EACH	2	-	2
IMPACT ATTENUATORS, RELOCATE (NON-REDIRECTIVE), TEST LEVEL 3	EACH	-	2	2
TEMPORARY SHEET PILING	SQ FT	1428	952	2380

* - PAVEMENT REMOVAL QUANTITY IS FOR THE REMOVAL OF THE BITUMINOUS BASE COURSE & WIDENING.

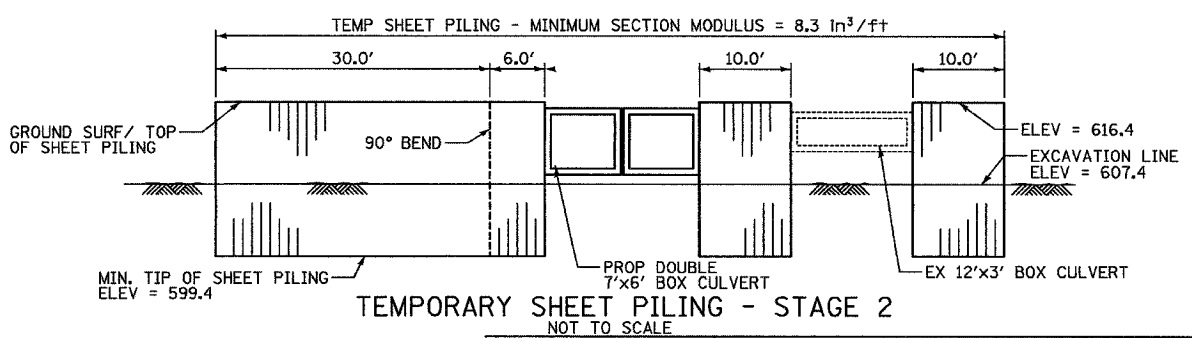
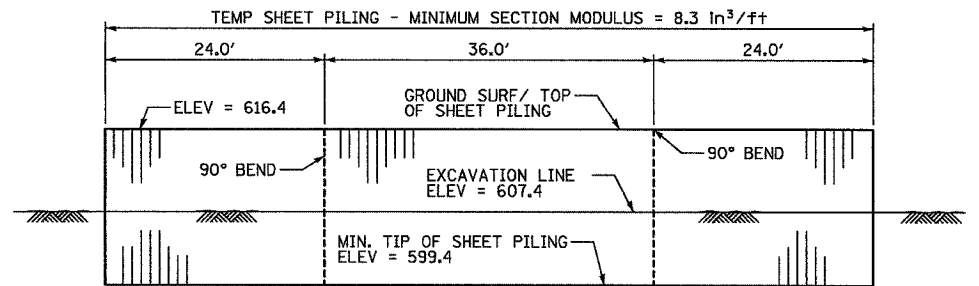
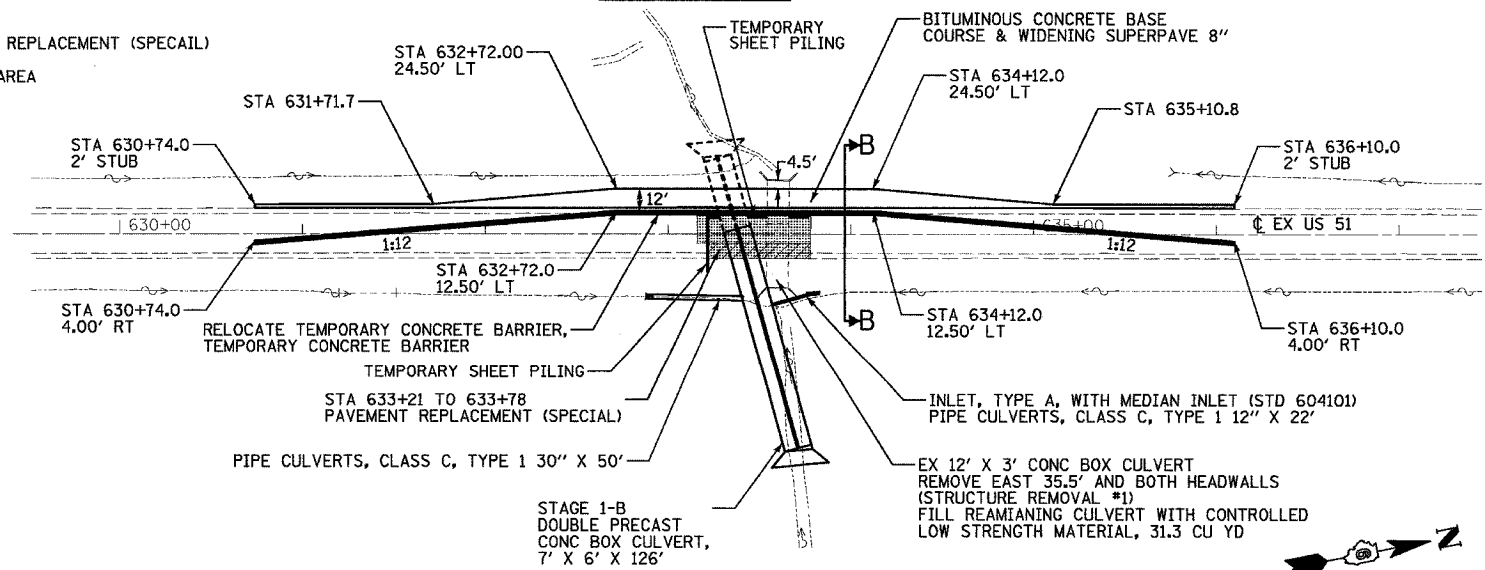
TRAFFIC CONTROL & PROTECTION NOTES:

1. SEE STD 701321 AND SHEET 170 FOR ADDITIONAL DETAILS NOT SHOWN.
2. TEMPORARY RUMBLE STRIPS WILL NOT BE INSTALLED.
3. DOUBLE VERTICAL PANELS WILL BE SPACED AT 20' CENTERS.
4. PROVIDE 12' TRAFFIC LANE MINIMUM AT ALL TIMES.
5. ADVANCE WARNING SIGNS REQUIRED. (SEE SHEET 49).
6. SEE SHEET 49 FOR INDUCTION LOOP DETECTOR DETAIL.

LEGEND

- PAVEMENT REPLACEMENT (SPECIAL)
- REMOVAL AREA

STAGE 1-B



IF THE CONTRACTOR CHOOSES TO ALTER THE TEMPORARY CANTILEVERED SHEET PILING DESIGN REQUIREMENTS SHOWN, A DESIGN SUBMITTAL INCLUDING PLAN DETAILS AND CALCULATIONS WILL BE REQUIRED FOR REVIEW AND ACCEPTANCE BY THE ENGINEER.

REVISIONS	
NAME	DATE
MISP. - SEB	4/4/05

ILLINOIS DEPARTMENT OF TRANSPORTATION
TRAFFIC CONTROL AND STAGING
STAGE 1 - DETAILS "A" & "B"
FAP 322 (US 51)
SECTION 11-1
CHRISTIAN COUNTY

SCALE: 1"=50'
DATE: 3/29/05

DRAWN BY: SEB
CHECKED BY: EBB

