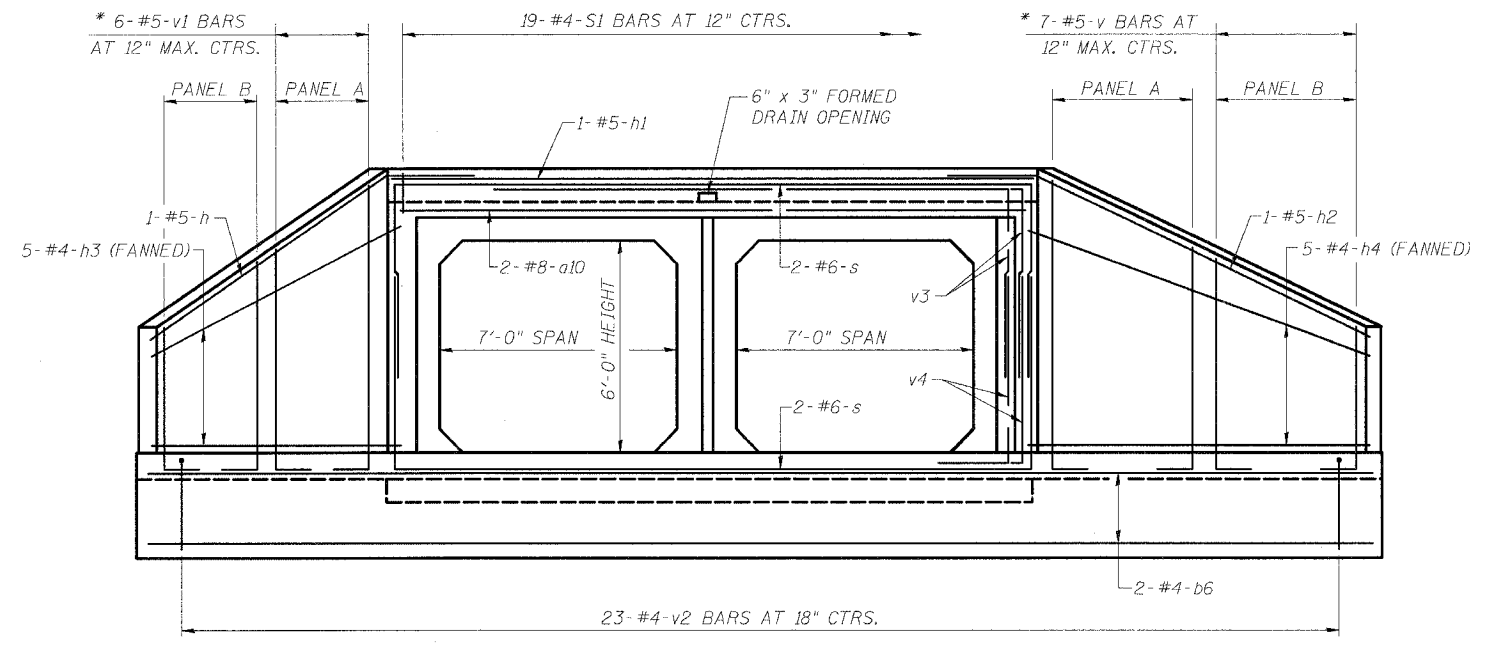
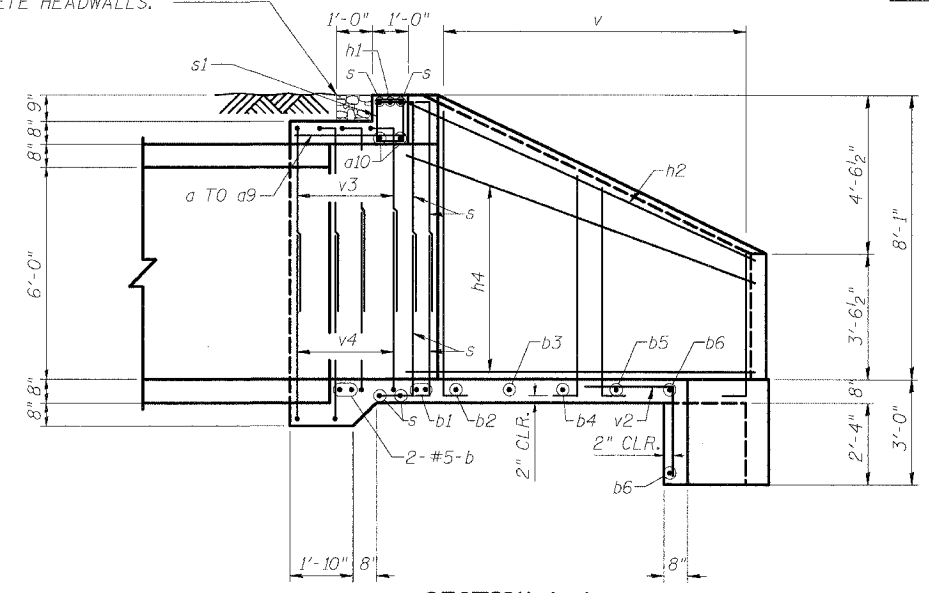


F.A.P. RTE.	SECTION	COUNTY	TOTAL SHEETS	SHEET NO.
322	11-10	CHRISTIAN	310	159
STA.		TO STA.		
FED. ROAD DIST. NO.		ILLINOIS FED. AID PROJECT		

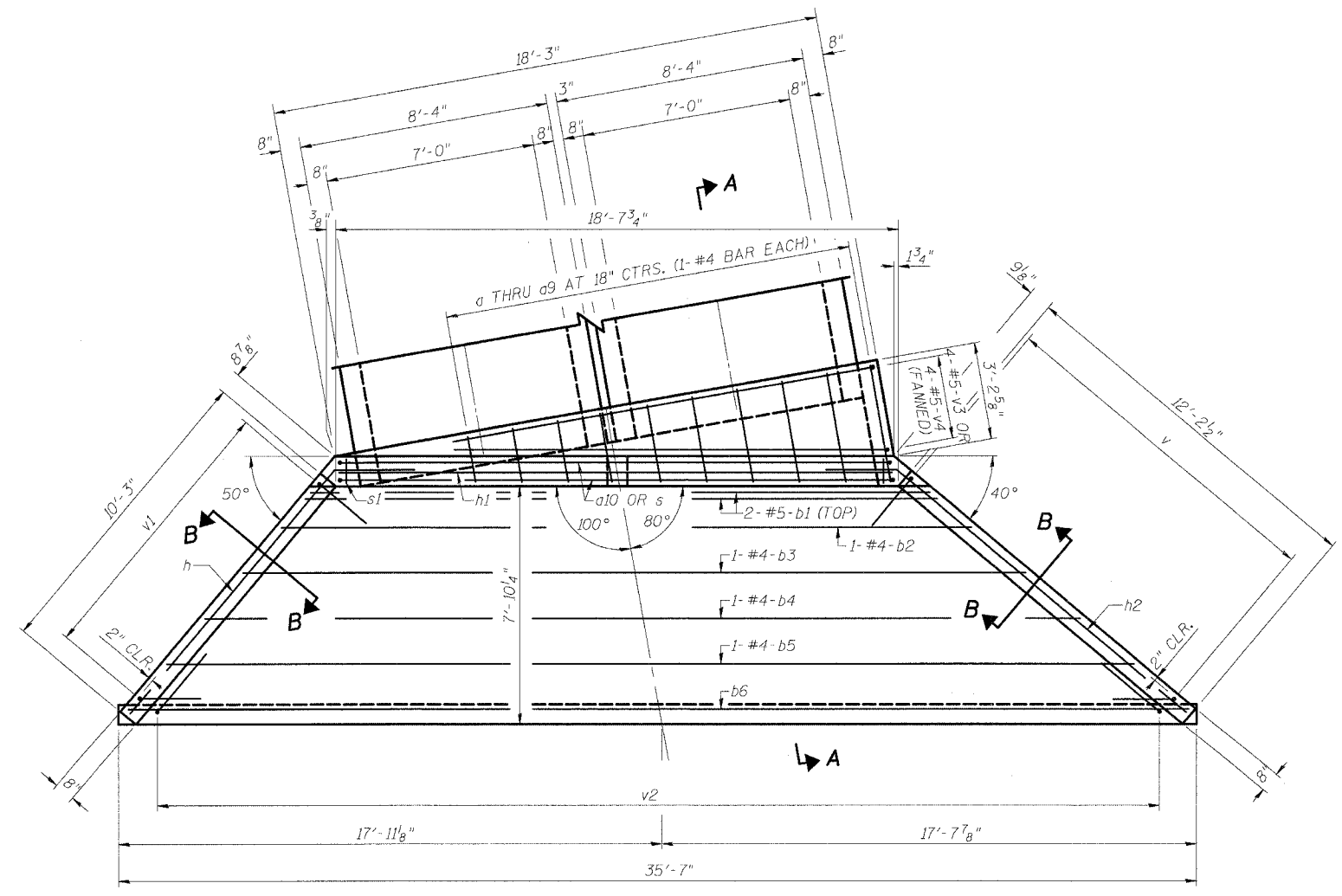


ELEVATION * CUT BARS TO FIT PANEL A USE REMAINDER IN PANEL B

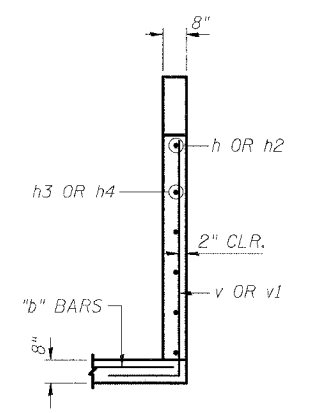
COARSE AGGREGATE FULL LENGTH OF HEADWALL. TO BE PLACED BY GRADING CONTRACTOR. COST INCLUDED WITH CONCRETE HEADWALLS.



SECTION A-A



PLAN



SECTION B-B

(DRAWING NOT TO SCALE)
SHEET #1 OF 2

REVISIONS	
NAME	DATE

ILLINOIS DEPARTMENT OF TRANSPORTATION
CAST-IN-PLACE END SECTIONS
STA 767+70.0 LT. & RT.
FAP 322 (US 51)
SECTION 11-1
CHRISTIAN COUNTY
SCALE: NOT TO SCALE
DATE: 02/09/05
DRAWN BY: EAW
CHECKED BY: ADL

3/29/2005