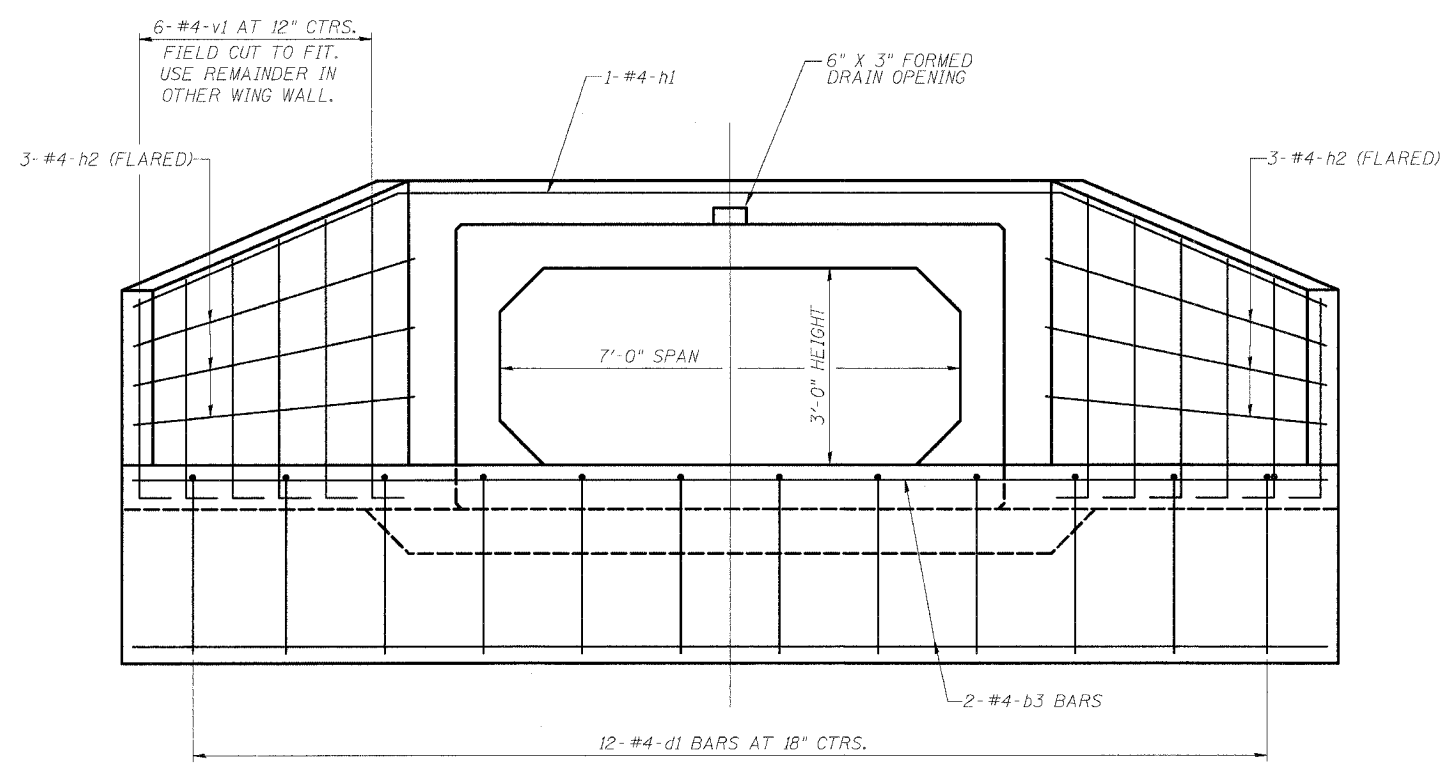
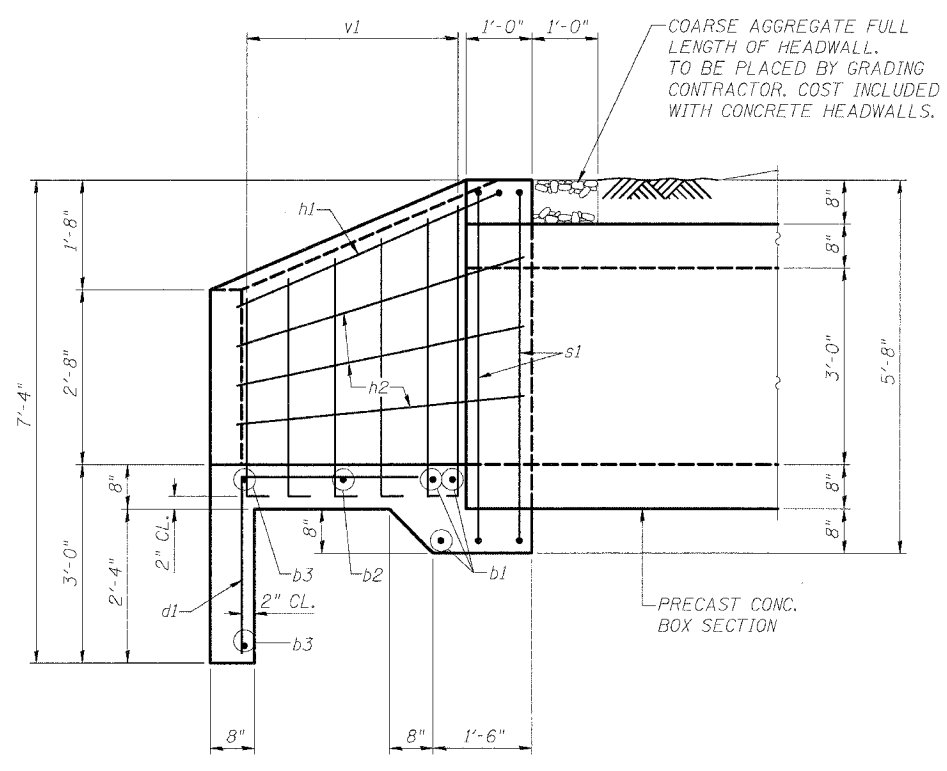


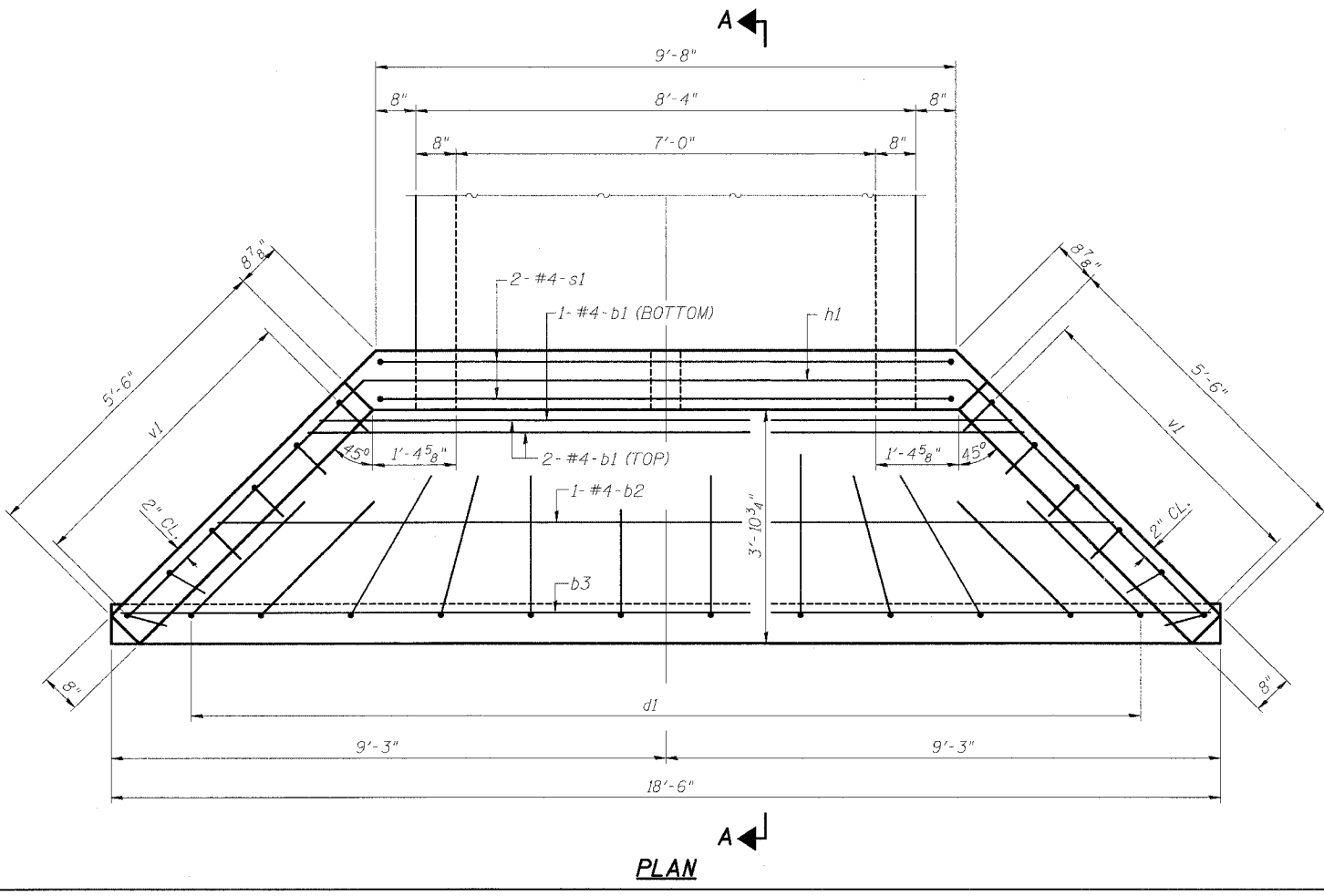
F.A.P. RTE.	SECTION	COUNTY	TOTAL SHEETS	SHEET NO.
322	11-10	CHRISTIAN	310	162
STA.		TO STA.		
FED. ROAD DIST. NO.	ILLINOIS	FED. AID PROJECT		



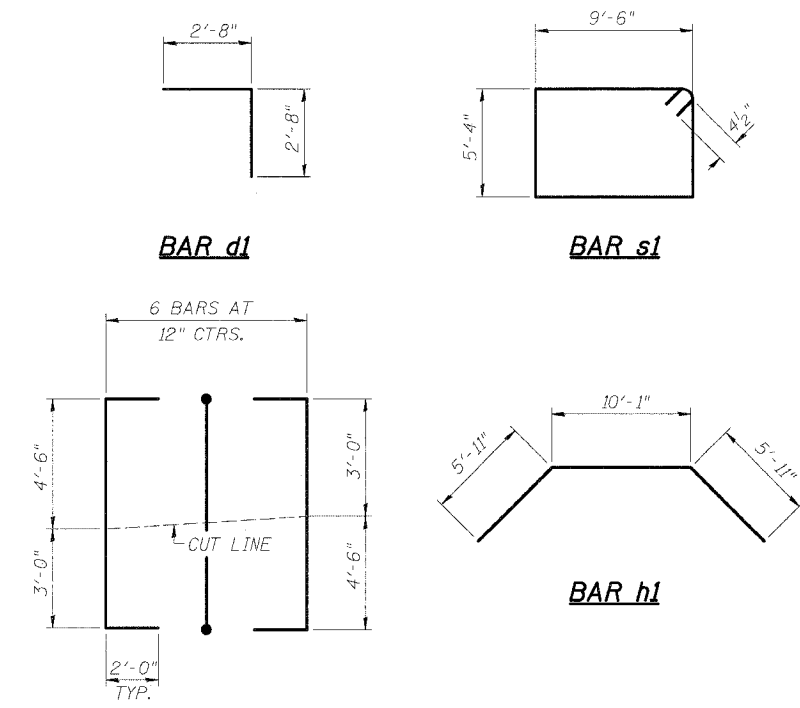
**END ELEVATION**



**SECTION A-A**



**PLAN**



**FIELD CUTTING DIAGRAM BARS v1**

**BILL OF MATERIAL**

Bar	No.	Size	Length	Shape
b1	3	#4	11'-6"	—
b2	1	#4	14'-11"	—
b3	2	#4	18'-2"	—
d1	12	#4	5'-4"	└
h1	1	#4	21'-11"	┌
h2	6	#4	6'-2"	—
s1	2	#4	30'-5"	□
v1	6	#4	11'-6"	┌
CONCRETE HEADWALLS			CU YD	4.6
REINFORCEMENT BARS			POUND	230

NOTES:  
 TABLE FOR (1) HEADWALL ONLY. TWO (2) HEADWALLS REQUIRED. BAR DIMENSIONS ARE OUT TO OUT.  
 CONCRETE HEADWALLS SHALL BE USED THROUGHOUT.  
 EXPOSED EDGES SHALL BE BEVELED 3/4".  
 REINFORCEMENT BARS SHALL CONFORM TO THE REQUIREMENTS OF ASSHTO M-31, M-42, M-53, GRADE 60  
 NOT TO SCALE OR PROPER ORIENTATION.

SHEET #1 OF 1

REVISIONS	
NAME	DATE

ILLINOIS DEPARTMENT OF TRANSPORTATION  
 CAST-IN-PLACE END SECTIONS  
 -STA 11+40 TR 151A LT. & RT.  
 FAP 322 (US 51)  
 SECTION 11-1  
 CHRISTIAN COUNTY  
 SCALE: NOT TO SCALE  
 DATE: 02/09/05  
 DRAWN BY: EAW  
 CHECKED BY: ADL

3/29/2005