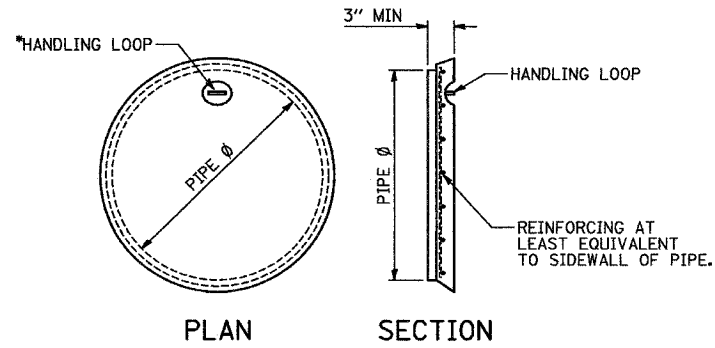


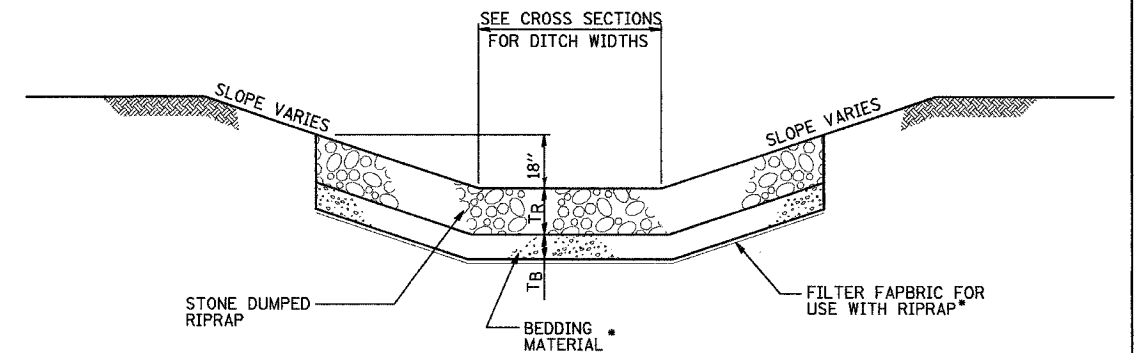
F.A.P. RTE.	SECTION	COUNTY	TOTAL SHEETS	SHEET NO.
322	11-10	CHRISTIAN	310	166
STA.		TO STA.		
FED. ROAD DIST. NO.		ILLINOIS FED. AID PROJECT		



•THE HANDLING LOOP MAY BE OMITTED WHEN THE CAP IS PLACED IN A BURIED INSTALLATION.

COST OF FURNISHING AND INSTALLING CONCRETE PIPE TEE PLUG TO BE INCLUDED IN THE PAY ITEM "PIPE TEE" OF THE SIZE SPECIFIED.

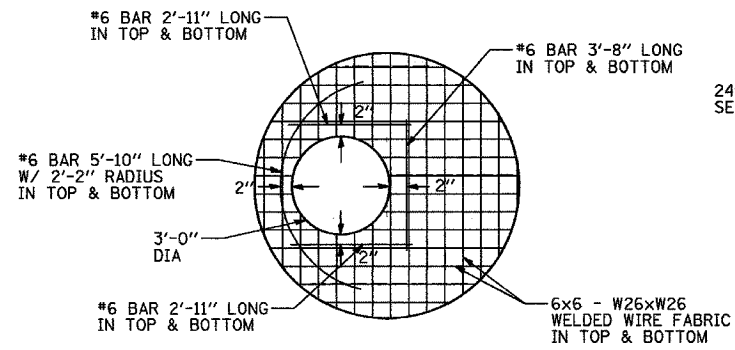
DETAILS OF CONCRETE PIPE TEE PLUG



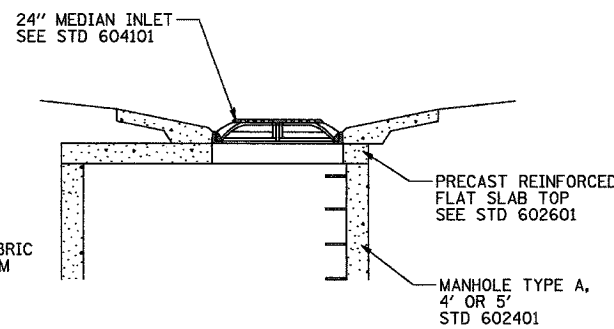
RIPRAP CLASS	RIPRAP THICKNESS (TR)	BEDDING THICKNESS (TB)
B3	8"	•
A4	16"	6"
A5	22"	8"

•STONE DUMP RIPRAP CLASS B-3 HAS NO BEDDING MATERIAL OR FILTER FABRIC UNLESS IN SANDY SOILS.

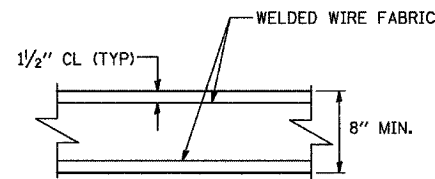
TYPICAL STONE RIPRAP DITCH LINING
SEE SCHEDULE FOR INSTALLATION LOCATIONS



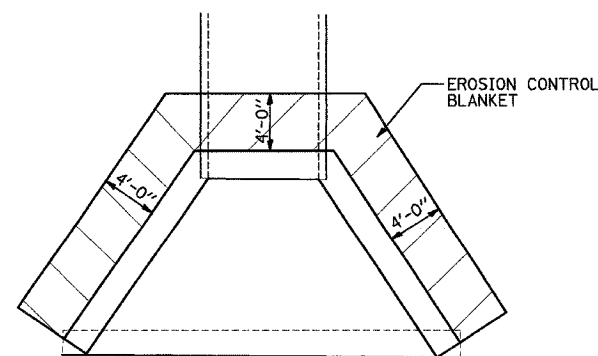
5' FLAT SLAB TOP DETAIL WITH 36" OPENING



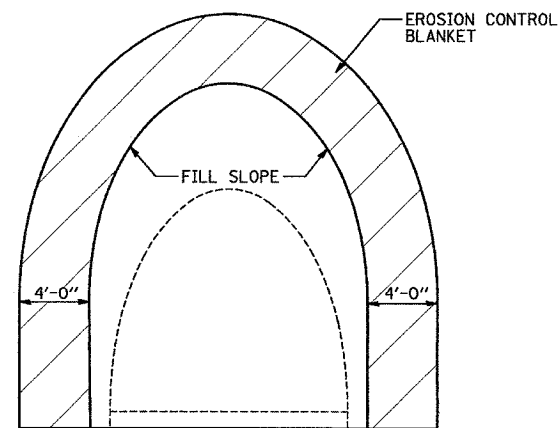
DETAIL OF STANDARD 24" MEDIAN INLET OF FLAT SLAB TOP



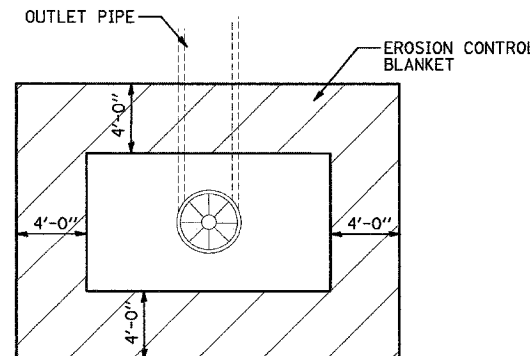
TYPICAL SLAB TOP SECTION FOR 5' OR 6' MANHOLES



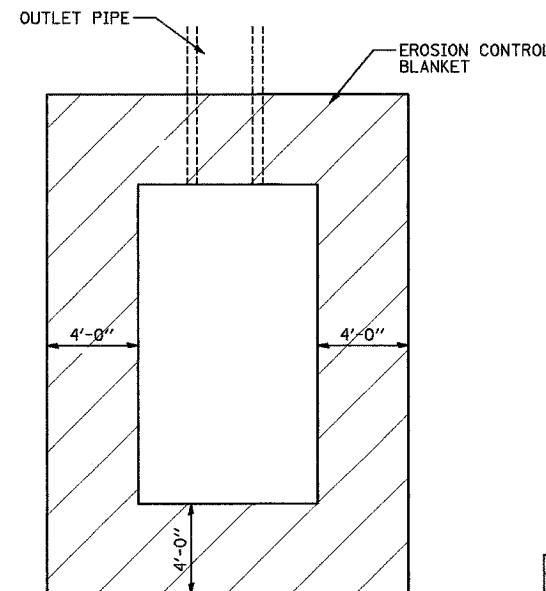
EROSION CONTROL BLANKET AROUND HEADWALLS & CULVERT WINGWALLS



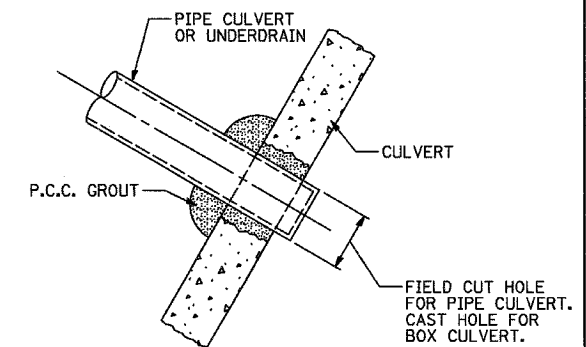
EROSION CONTROL BLANKET AROUND FLARED END SECTION STD. 542301



EROSION CONTROL BLANKET AROUND MEDIAN INLETS STD. 604101 & STD. 604106



EROSION CONTROL BLANKET AROUND HEADWALL FOR PIPE UNDERDRAIN STD. 601101



DETAIL OF PLACING PIPE IN CULVERT

NOTE: COST OF PLACING PIPE IN THE CULVERT SHALL BE INCLUDED IN THE PAY ITEM FOR THE CULVERT OR UNDERDRAIN.

REVISIONS	
NAME	DATE
PIPE NOTE - SEB	4/4/05

ILLINOIS DEPARTMENT OF TRANSPORTATION

MISCELLANEOUS DETAILS
FAP 322 (US 51)
SECTION 11-1
CHRISTIAN COUNTY

SCALE: None DRAWN BY SEB
DATE 3/21/05 CHECKED BY EBB