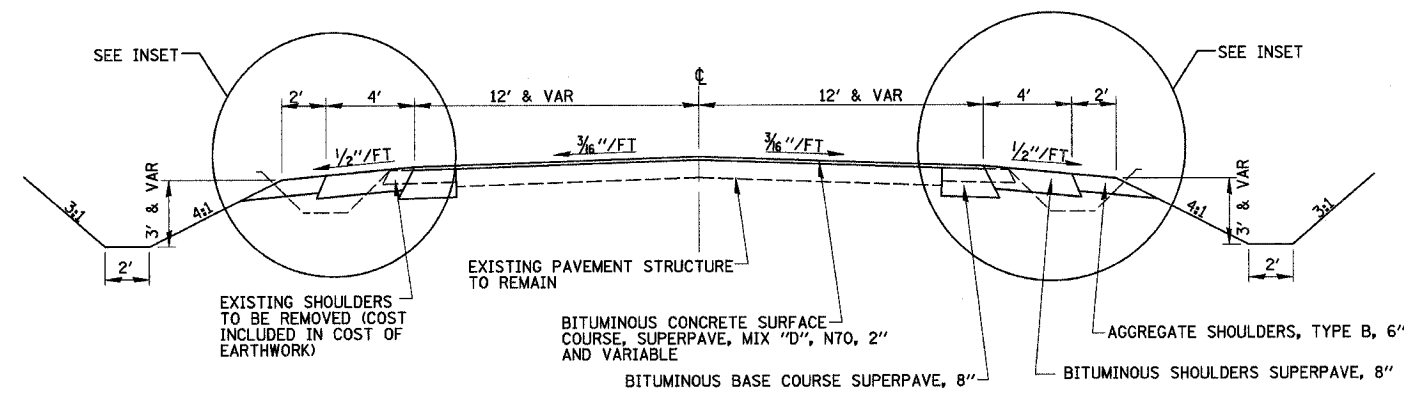


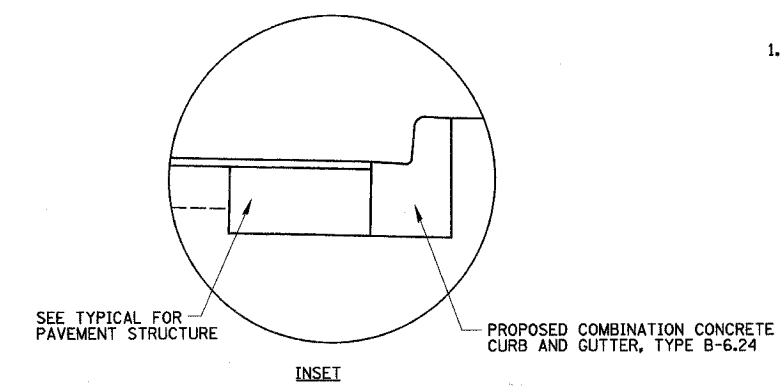
F.A.P. RTE.	SECTION	COUNTY	TOTAL SHEETS	SHEET NO.
774	*	EFFINGHAM	273	16
FED. ROAD DIST. NO. 7 ILLINOIS FED. AID PROJECT				
*107WRS-1, 107BY, 107BY-1 & 107B-2				
CONTRACT NO. 94827				

TYPICAL SECTION (17) NOT USED

TYPICAL SECTION (18) NOT USED



PROPOSED TYPICAL SECTION (19)
STA. 82+36.29 TO STA. 84+56.47 (RELOCATED NAZARENE RD)



PROPOSED COMBINATION CONCRETE CURB AND GUTTER, TYPE B-6.24 IN LIEU OF SHOULDERS
LT STA. 83+72.00 TO STA. 84+48.00 (RELOC NAZARENE RD)
RT STA. 83+61.00 TO STA. 84+46.00 (RELOC NAZARENE RD)

- SHEET NOTE:**
- BASE COURSE WIDENING 6' OR LESS IS INCLUDED IN THE CONTRACT QUANTITIES FOR "BITUMINOUS BASE COURSE SUPERPAVE 8".

REVISIONS	
NAME	DATE

ILLINOIS DEPARTMENT OF TRANSPORTATION

TYPICAL SECTIONS
SHEET 7 OF 8

DATE 8/02

DRAWN BY MLO
CHECKED BY SJK